



US00D707662S

(12) **United States Design Patent**
Okita

(10) **Patent No.:** **US D707,662 S**

(45) **Date of Patent:** **** Jun. 24, 2014**

(54) **MICROPHONE HOLDER**
(71) Applicant: **Shioto Okita**, Kanagawa (JP)
(72) Inventor: **Shioto Okita**, Kanagawa (JP)
(73) Assignee: **Kabushiki Kaisha Audio-Technica**,
Tokyo (JP)

6,459,802 B1 * 10/2002 Young 381/368
D540,786 S * 4/2007 Hensen D14/228
8,121,333 B2 * 2/2012 Woolf et al. 381/368
2007/0195983 A1 * 8/2007 Klemme 381/362
2009/0016558 A1 * 1/2009 Woolf et al. 381/368
2010/0239113 A1 * 9/2010 Browne 381/361
2013/0019877 A1 * 1/2013 Sklar 128/845

* cited by examiner

(**) Term: **14 Years**

Primary Examiner — Prabhakar Deshmukh

Assistant Examiner — Holly E Thurman

(21) Appl. No.: **29/438,935**

(74) *Attorney, Agent, or Firm* — Whitham Curtis
Christofferson & Cook, PC

(22) Filed: **Dec. 5, 2012**

(30) **Foreign Application Priority Data**

(57) **CLAIM**

We claim the ornamental design for microphone holder, as shown and described.

Jun. 6, 2012 (JP) 2012-013396

DESCRIPTION

(51) **LOC (10) Cl.** **14-01**

(52) **U.S. Cl.**
USPC **D14/229**

(58) **Field of Classification Search**
USPC D14/224, 225, 226, 229; D8/355, 394,
D8/396; D16/248; D17/22; 84/730;
381/365, 368; 248/55, 57, 183.1,
248/183.2, 278.11, 229.12, 229.15, 229.25,
248/289.31, 278.1

See application file for complete search history.

FIG. 1 is a front elevational view of the microphone holder;
FIG. 2 is a rear elevational view of the microphone holder;
FIG. 3 is a top plan view of the microphone holder;
FIG. 4 is a bottom plan view of the microphone holder;
FIG. 5 is a right side elevational view of the microphone holder;
FIG. 6 is a left side elevational view of the microphone holder;
FIG. 7 is a perspective view of the microphone holder;
FIG. 8 is a perspective view of the microphone holder shown in FIG. 7, where movable parts have been moved outwardly and the lock handle on the top has been rotated in a clockwise direction; and,
FIG. 9 is a perspective view of the microphone holder in use, including an unclaimed microphone which forms no part of the claimed design.
The broken line portion of the figure drawings is included to show unclaimed subject matter only and forms no part of the claimed design.

(56) **References Cited**

U.S. PATENT DOCUMENTS

4,194,096 A * 3/1980 Ramsey 381/366
4,396,807 A * 8/1983 Brewer 248/604
4,514,598 A * 4/1985 Plice 381/368
4,546,950 A * 10/1985 Cech 248/610
5,154,381 A * 10/1992 Malinao 248/178.1
D427,586 S * 7/2000 Cozzolino et al. D14/229
D427,995 S * 7/2000 Cozzolino et al. D14/229
6,102,358 A * 8/2000 McLeary 248/604

1 Claim, 9 Drawing Sheets

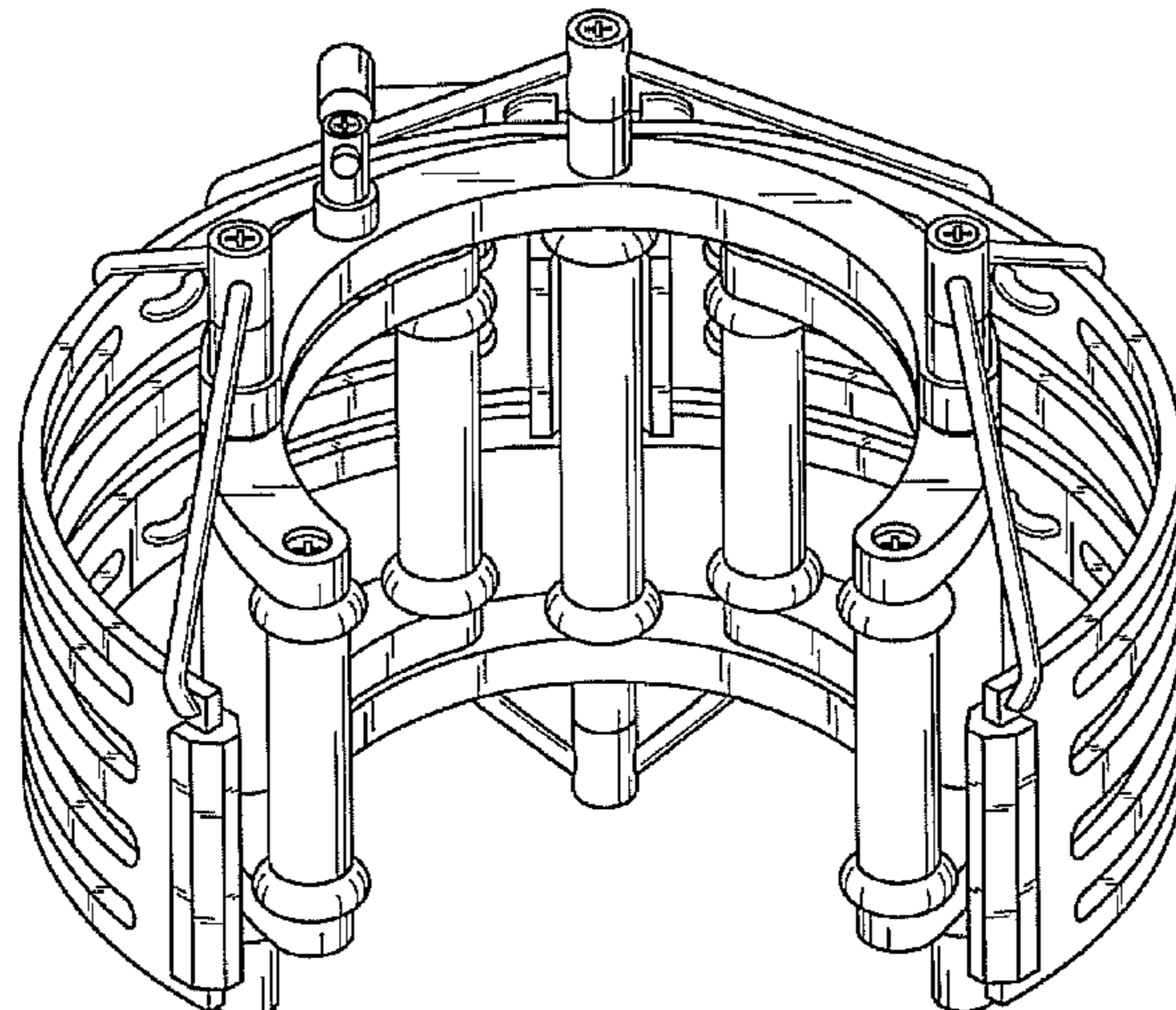


FIG.1

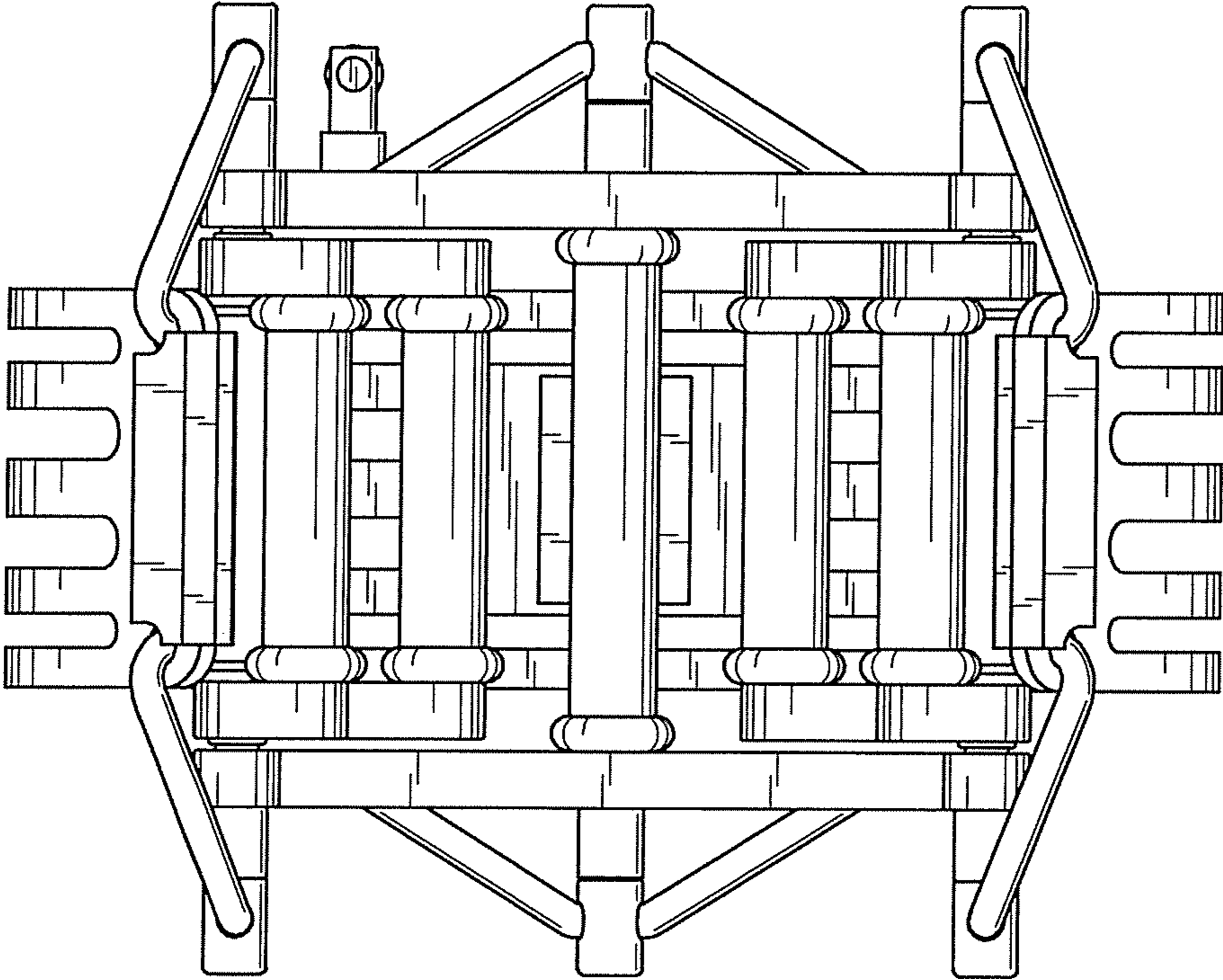


FIG. 2

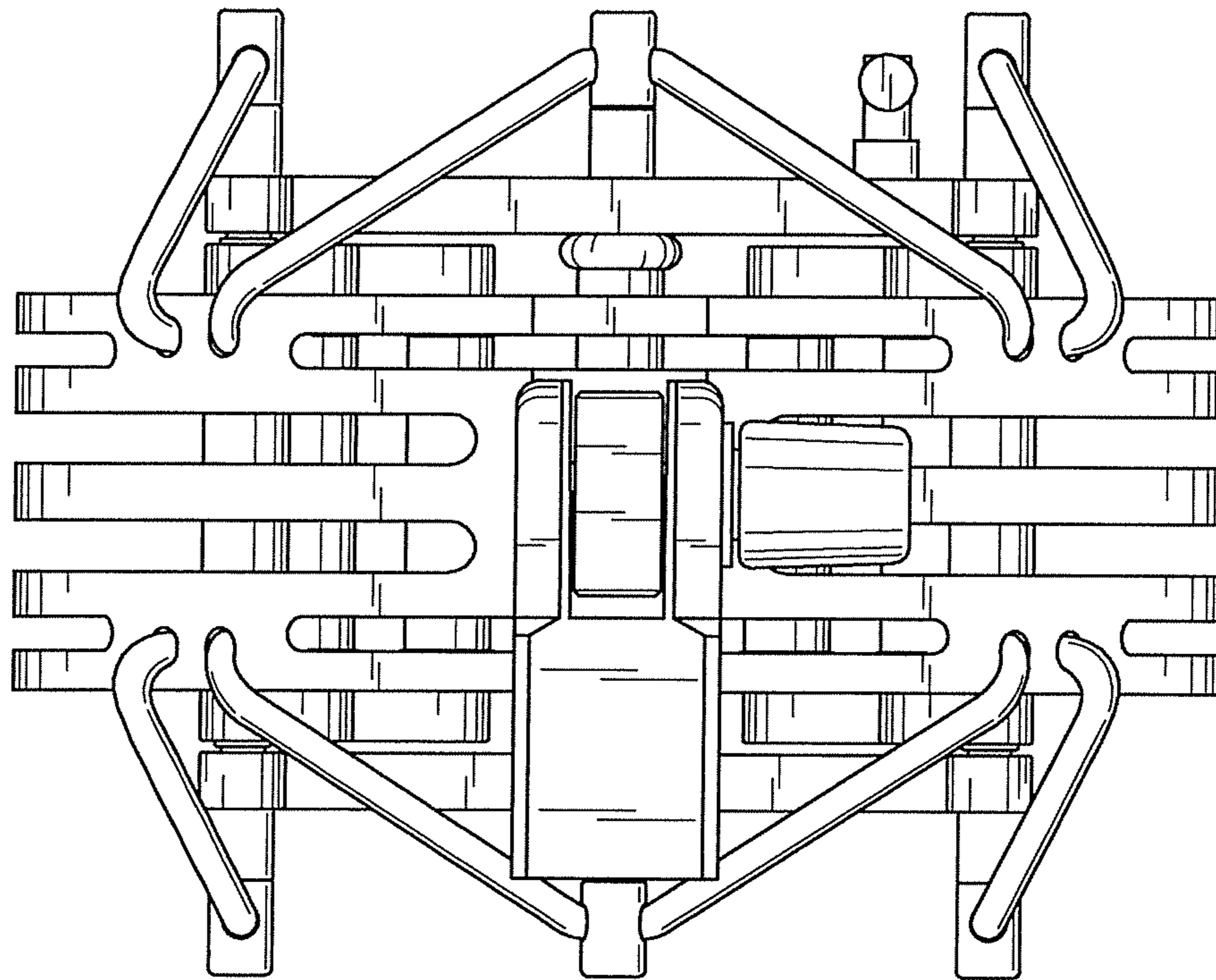


FIG. 3

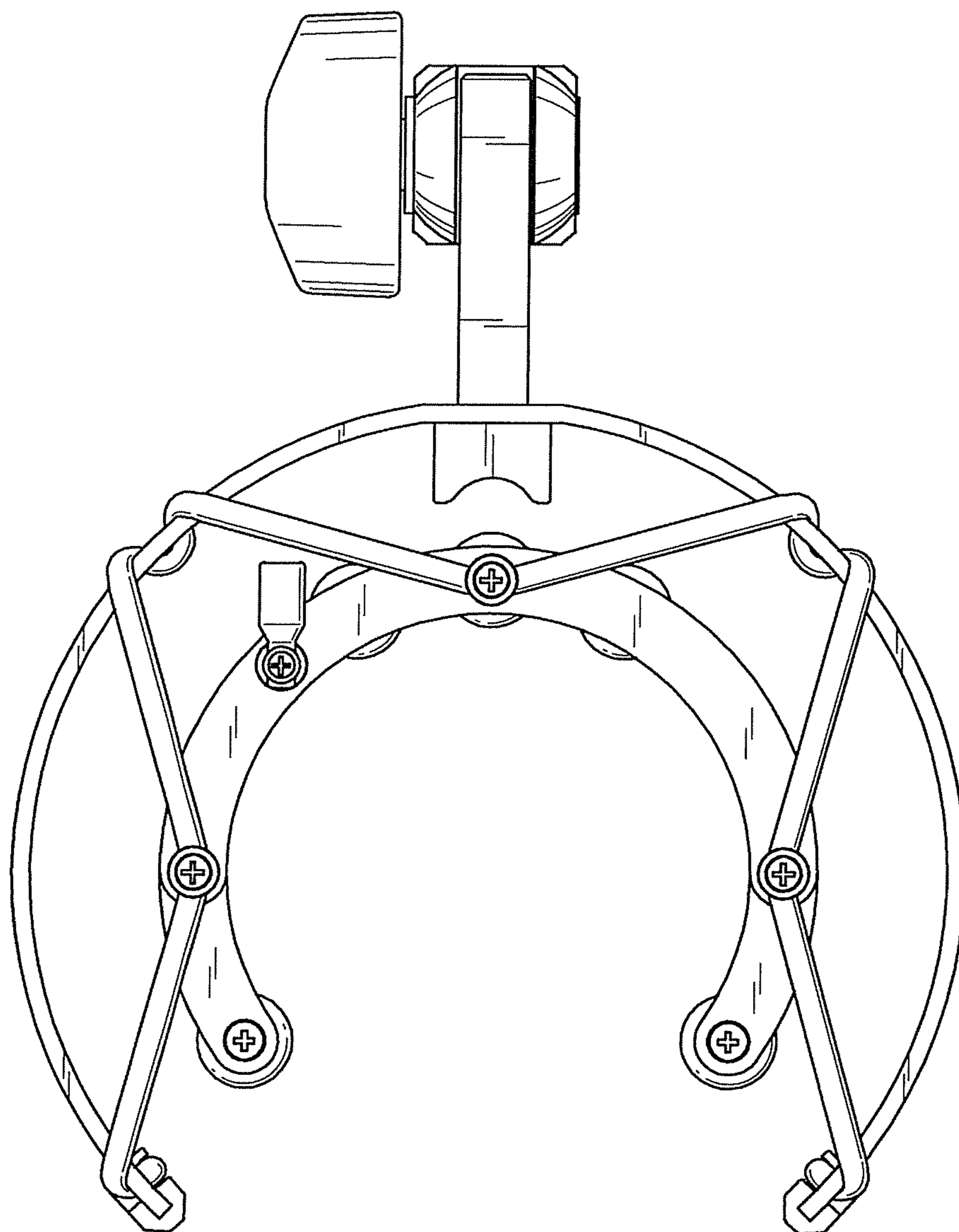


FIG. 4

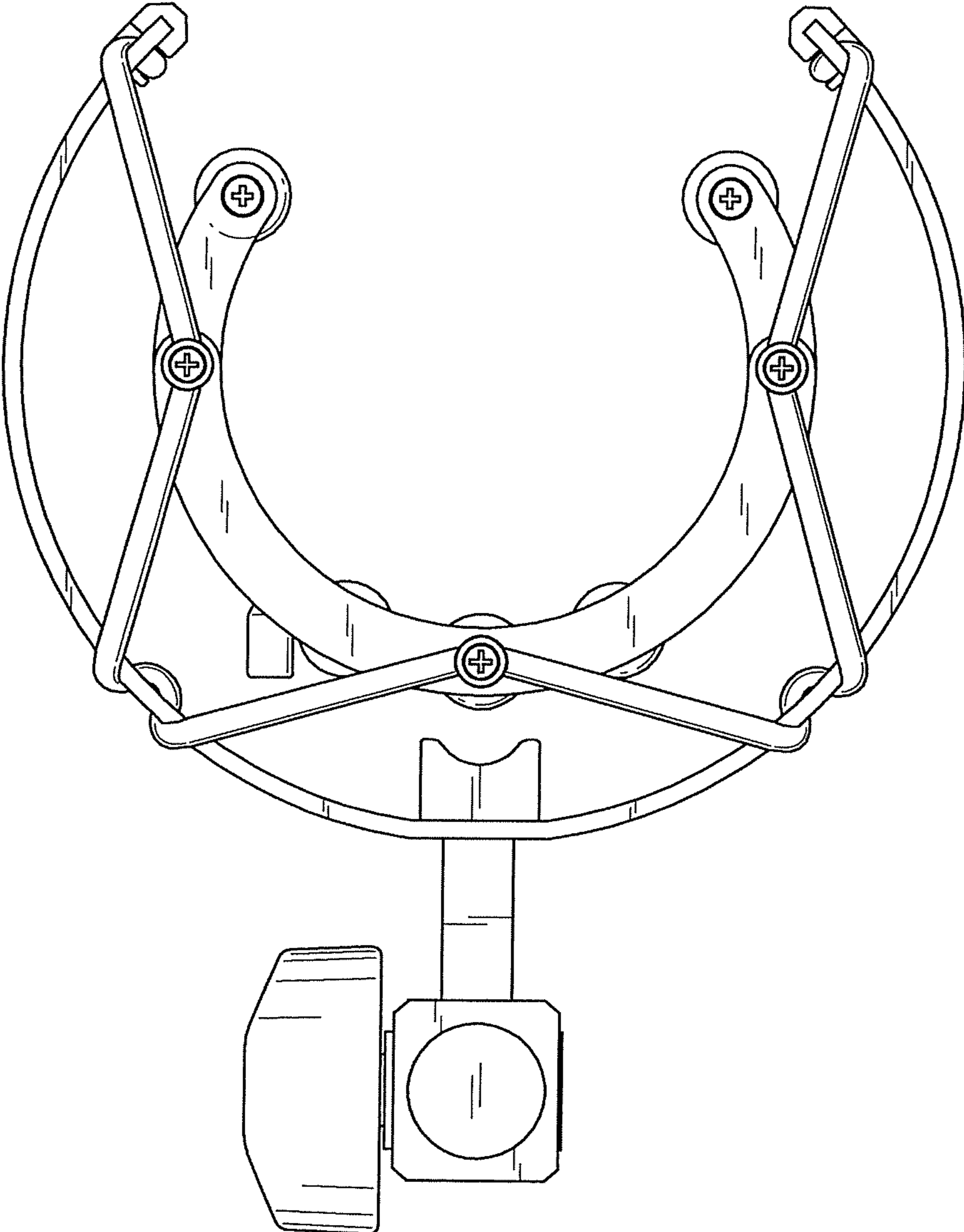


FIG. 5

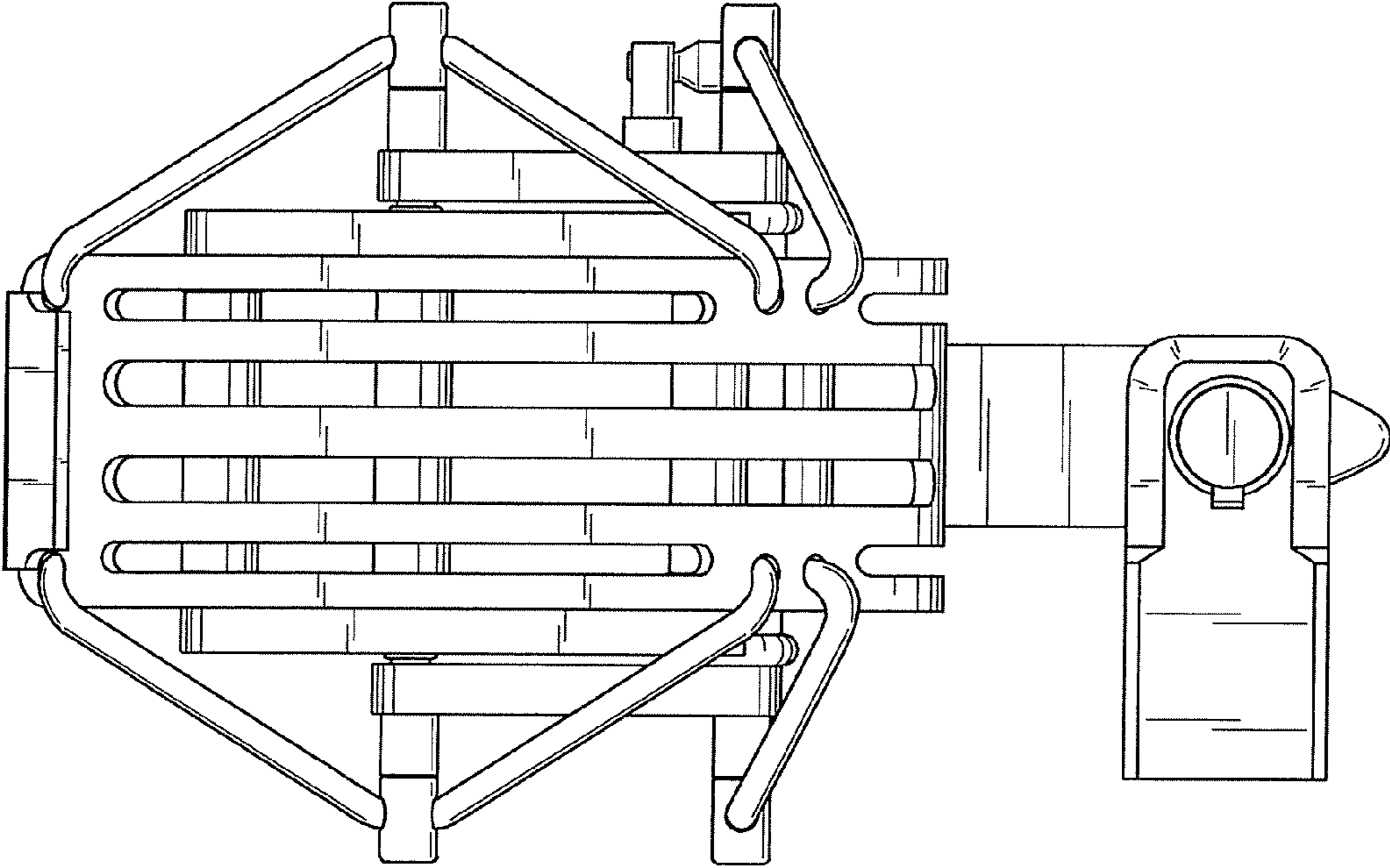


FIG. 6

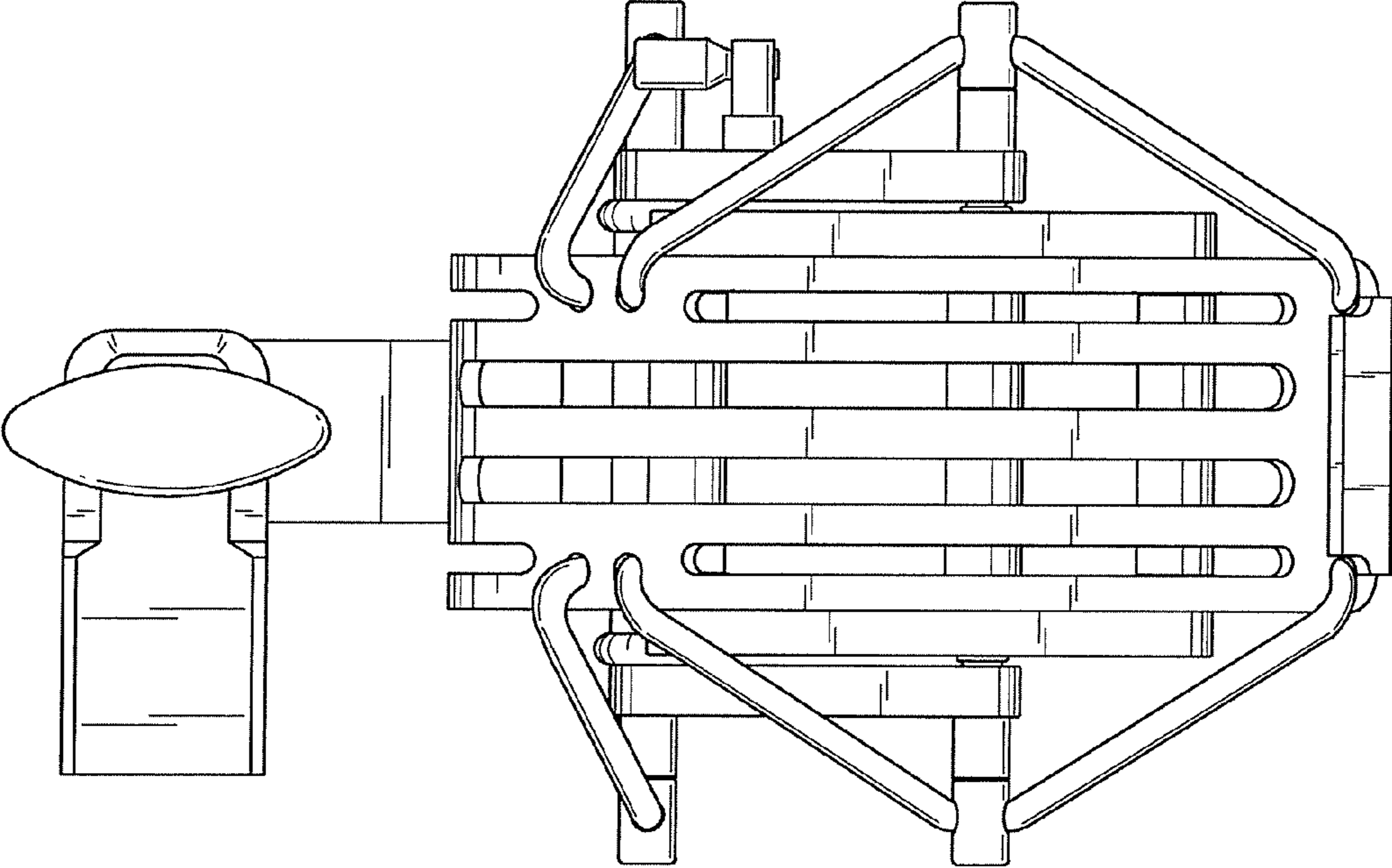


FIG. 7

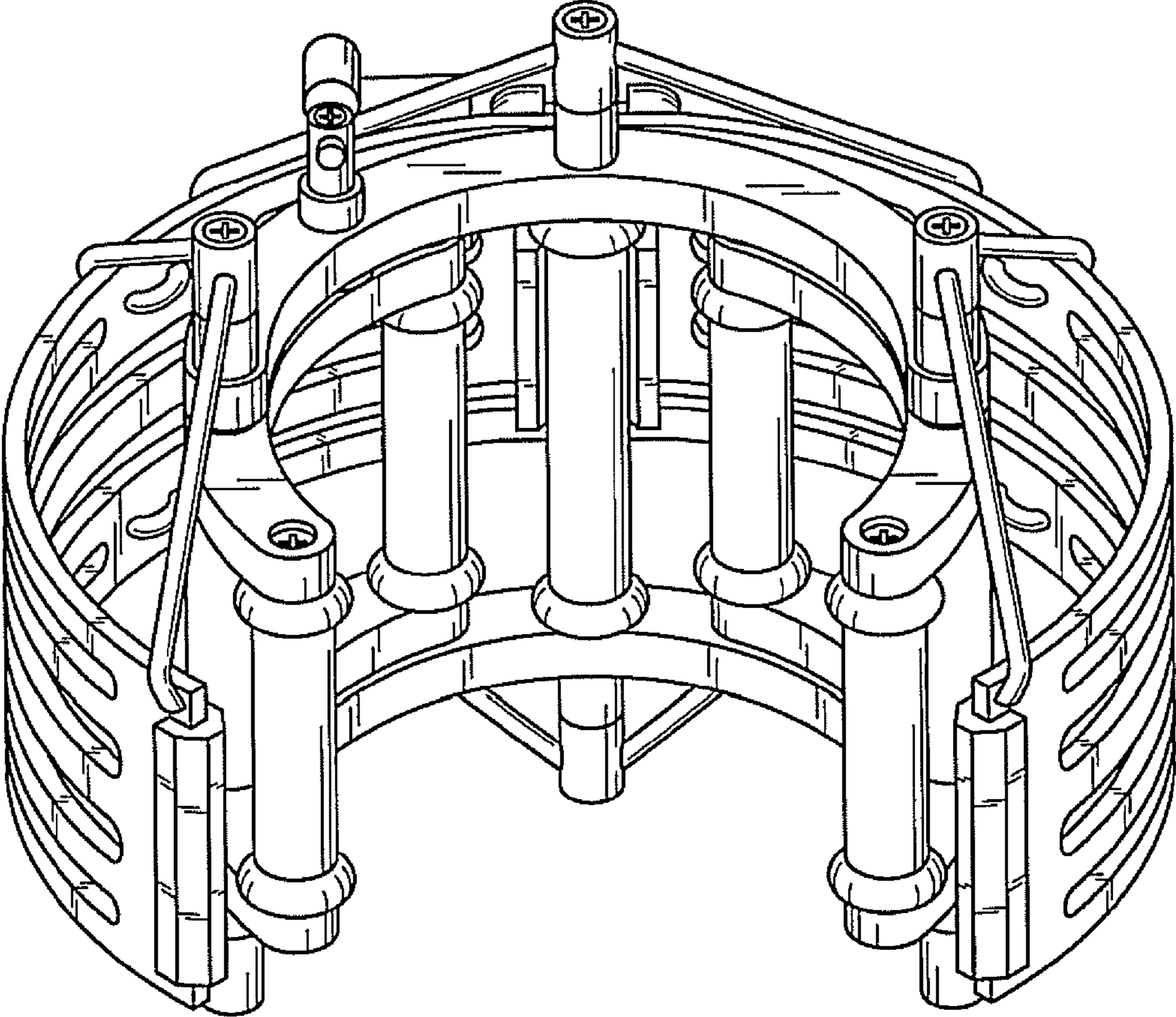


FIG. 8

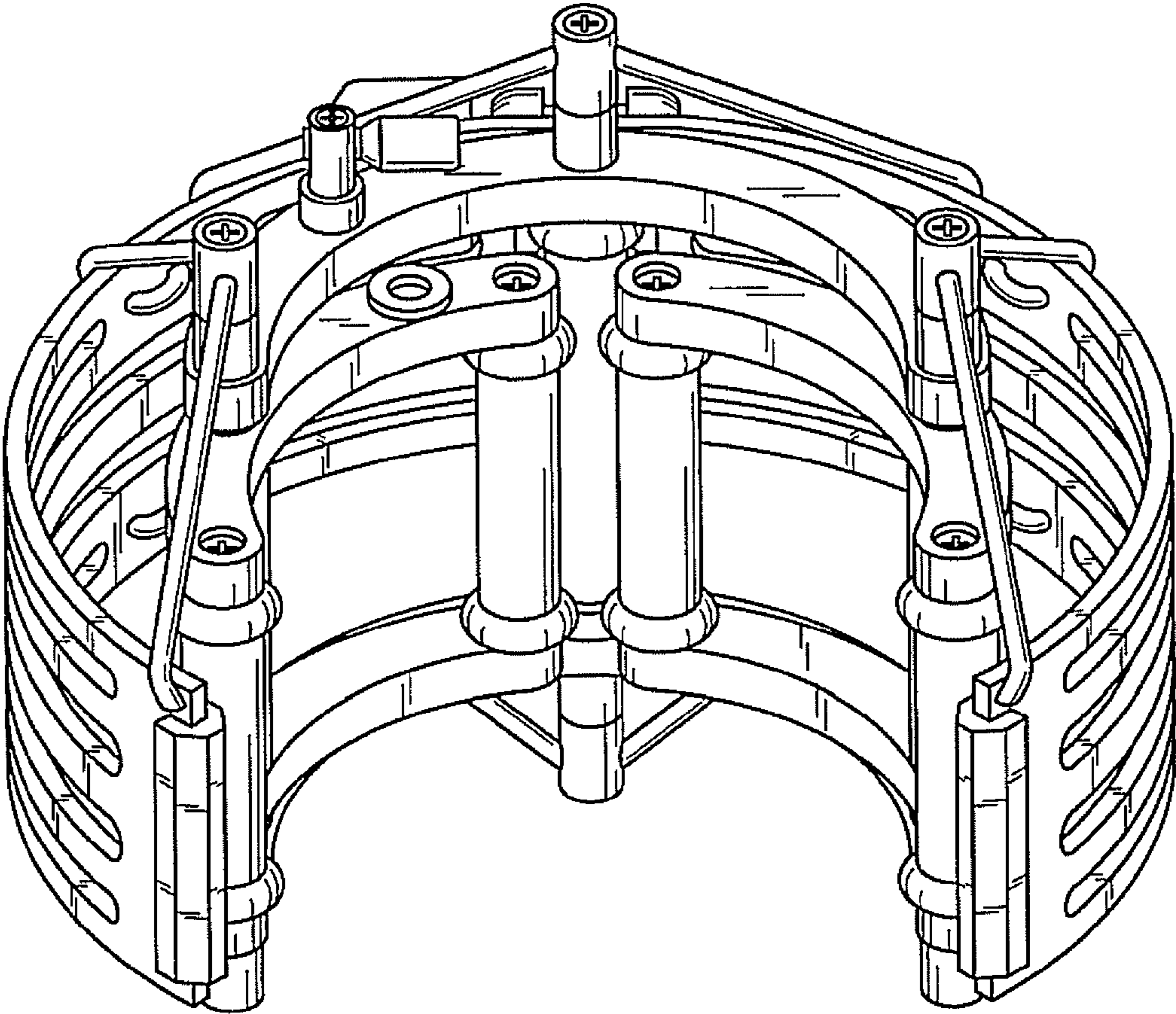


FIG. 9

