



US00D707661S

(12) **United States Design Patent**
Okita et al.

(10) **Patent No.:** **US D707,661 S**
(45) **Date of Patent:** **** Jun. 24, 2014**

(54) **MICROPHONE**

(71) Applicants: **Shioto Okita**, Tokyo (JP); **Douglas J. Carpiaux**, Milwaukee, WI (US); **Jesse D Cotterman**, Evergreen, CO (US)

(72) Inventors: **Shioto Okita**, Tokyo (JP); **Douglas J. Carpiaux**, Milwaukee, WI (US); **Jesse D Cotterman**, Evergreen, CO (US)

(73) Assignee: **Kabushiki Kaisha Audio-Technica**, Tokyo (JP)

(**) Term: **14 Years**

(21) Appl. No.: **29/437,062**

(22) Filed: **Nov. 13, 2012**

(30) **Foreign Application Priority Data**

Jul. 2, 2012 (JP) 2012-015576

(51) **LOC (10) Cl.** **14-01**

(52) **U.S. Cl.**
USPC **D14/228**

(58) **Field of Classification Search**
CPC H04R 1/083; H04R 1/086; H04R 1/08; H04R 19/04
USPC D14/155, 167, 225-228, 243, 249, 497; D17/99; D28/85, 89; 381/92, 174, 355, 381/369; 455/575.2; D21/405, 513
See application file for complete search history.

(56) **References Cited**

U.S. PATENT DOCUMENTS

2,910,539 A * 10/1959 Hartsfield 381/174
3,371,742 A * 3/1968 Norton et al. 181/153

D218,102 S * 7/1970 Schwartz D13/168
D278,625 S * 4/1985 Mathiasen D14/228
D313,802 S * 1/1991 Peiker D14/227
D479,227 S * 9/2003 Marshall D14/228
D479,837 S * 9/2003 Sundquist et al. D14/228
D538,482 S * 3/2007 Martinez D28/89
D561,024 S * 2/2008 Altonen et al. D9/448
D596,167 S * 7/2009 Fleischer et al. D14/228
D606,051 S * 12/2009 Fleischer et al. D14/228
D634,307 S * 3/2011 Arpe D14/228
D644,206 S * 8/2011 Ponnert D14/216

* cited by examiner

Primary Examiner — Thomas Johannes

Assistant Examiner — Holly E Thurman

(74) *Attorney, Agent, or Firm* — Whitham Curtis Christofferson & Cook, PC

(57) **CLAIM**

We claim the ornamental design for microphone, as shown and described.

DESCRIPTION

FIG. 1 is a front elevational view of the microphone, both sides of the microphone being the same;
FIG. 2 is a top plan view of the microphone;
FIG. 3 is a bottom plan view of the microphone;
FIG. 4 is a right side elevational view of the microphone, both sides of the microphone being the same;
FIG. 5 is a perspective view of the microphone; and,
FIG. 6 is a referential perspective view showing the microphone in use.

The broken line portion of the figure drawings is included to show unclaimed subject matter only and forms no part of the claimed design.

1 Claim, 6 Drawing Sheets

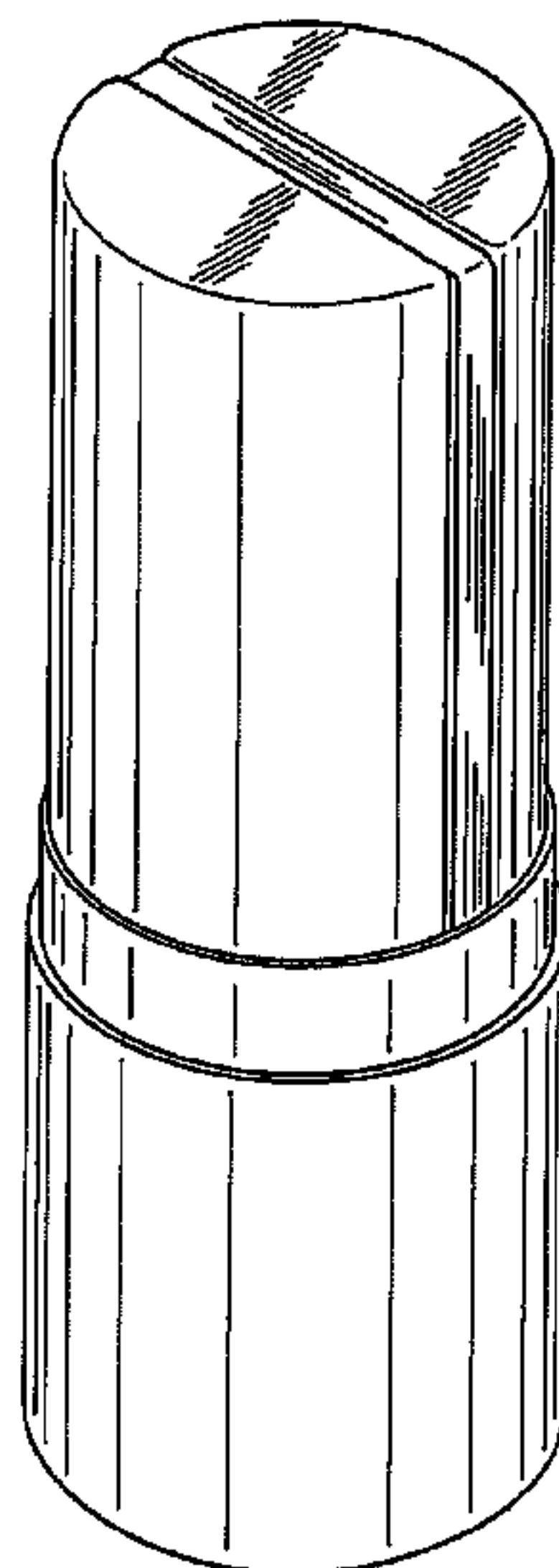


FIG. 1

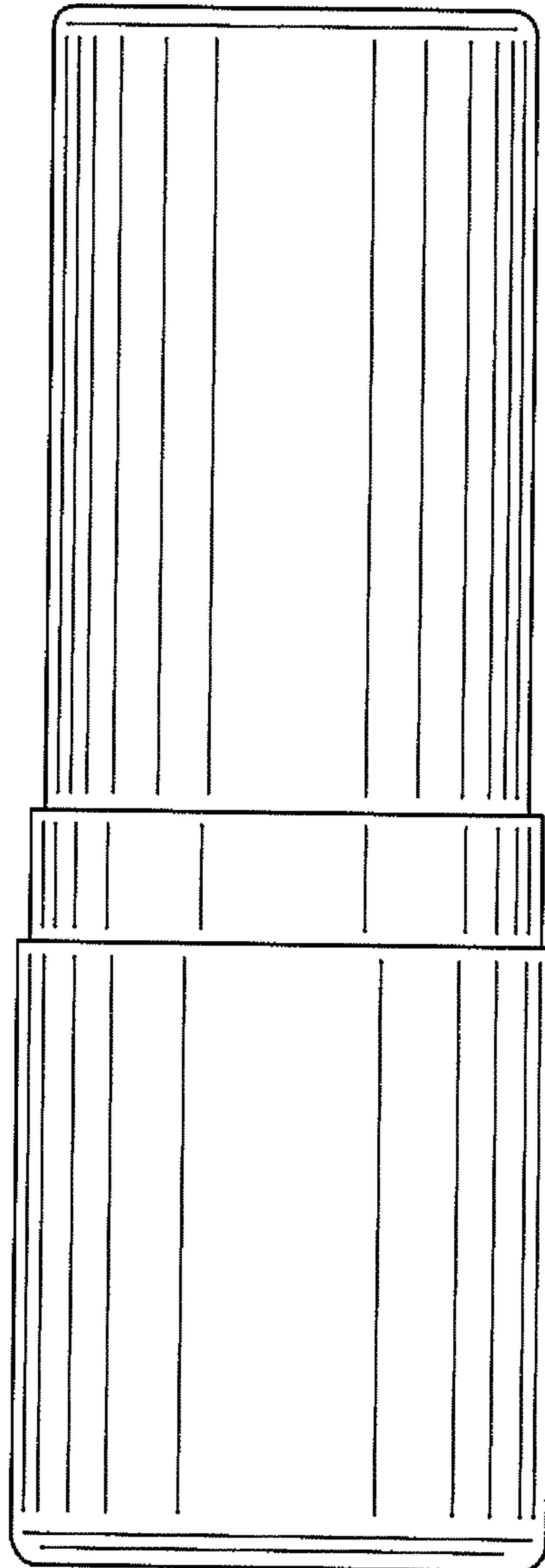


FIG. 2

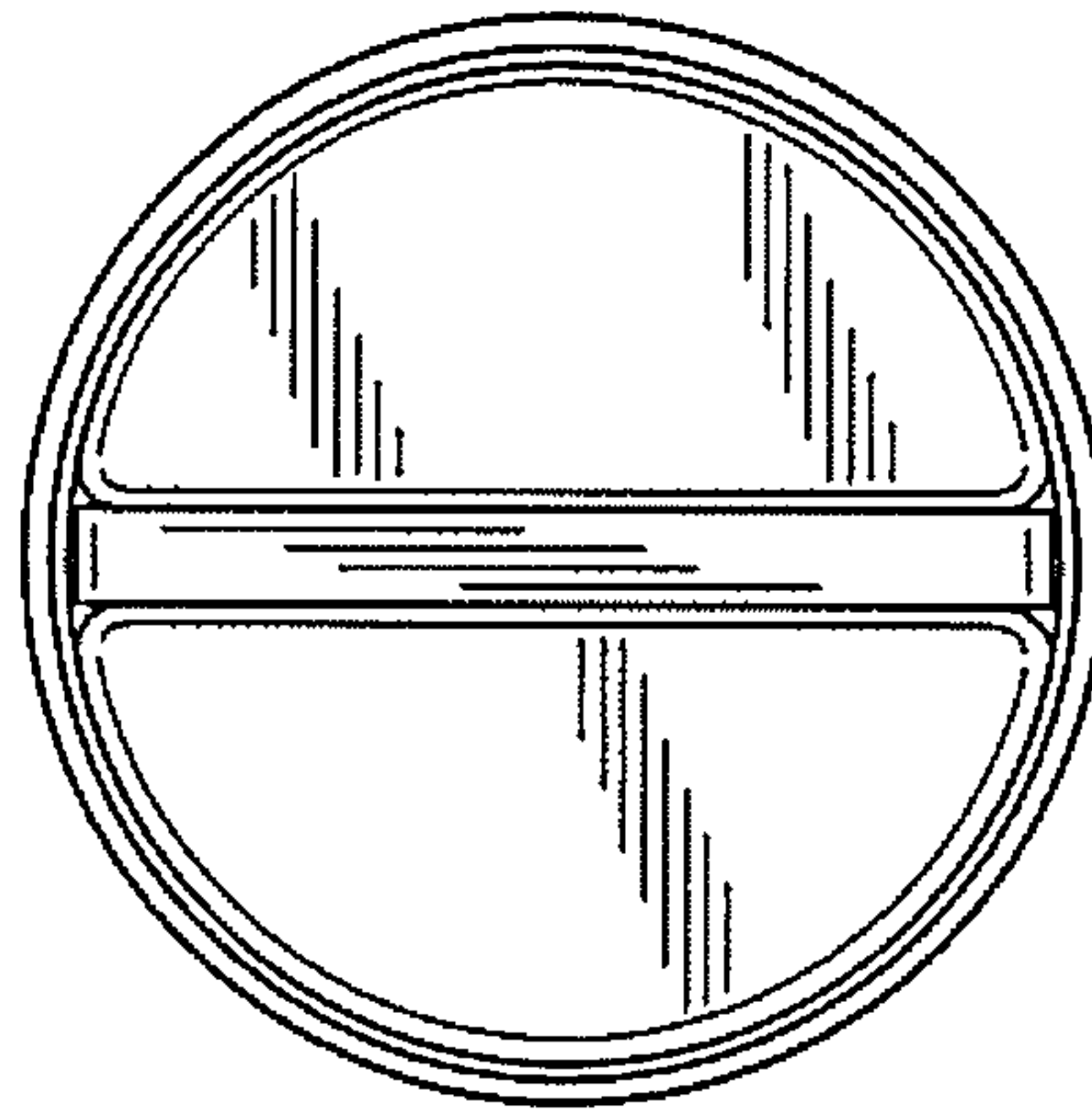


FIG. 3

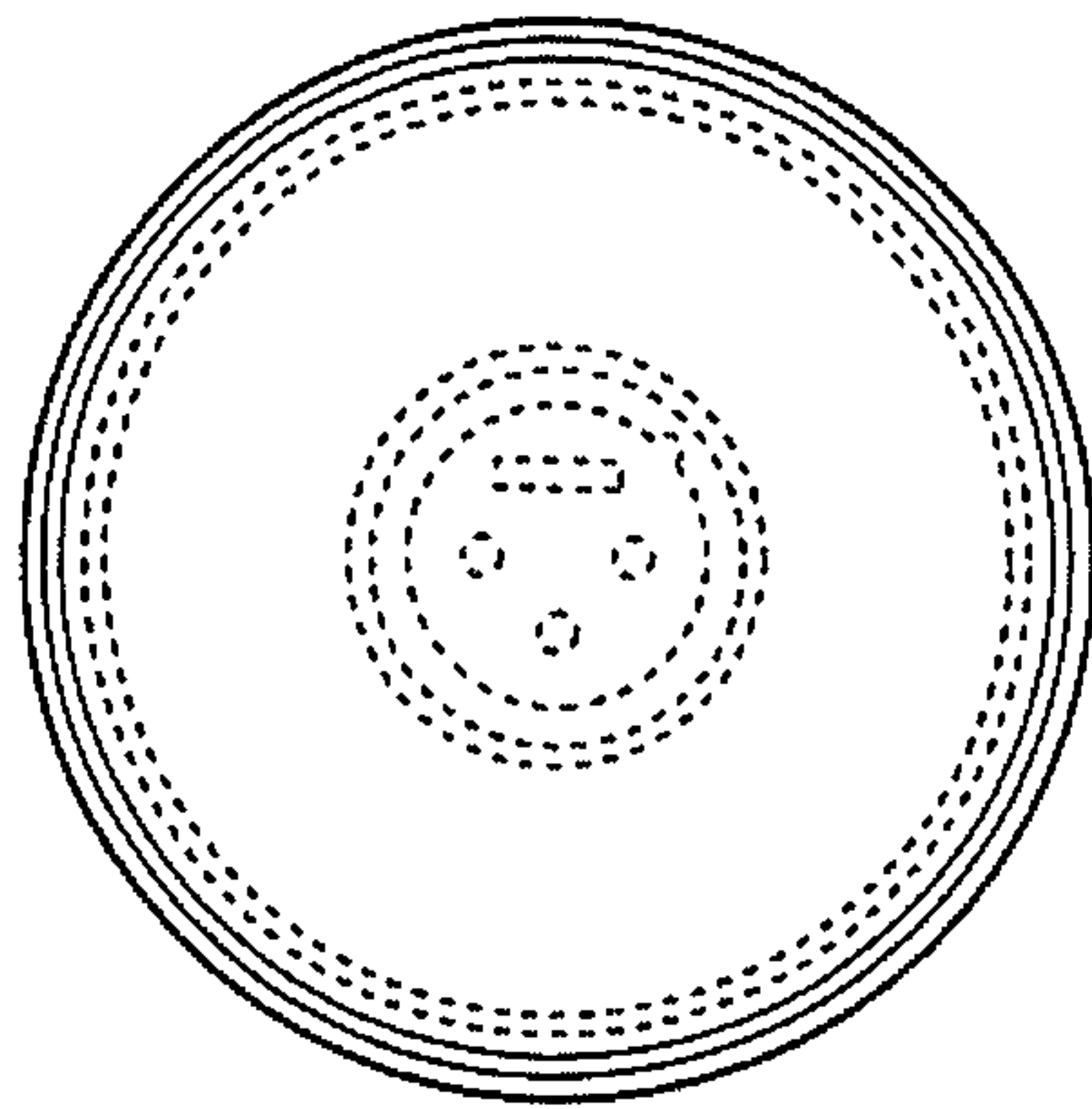


FIG. 4

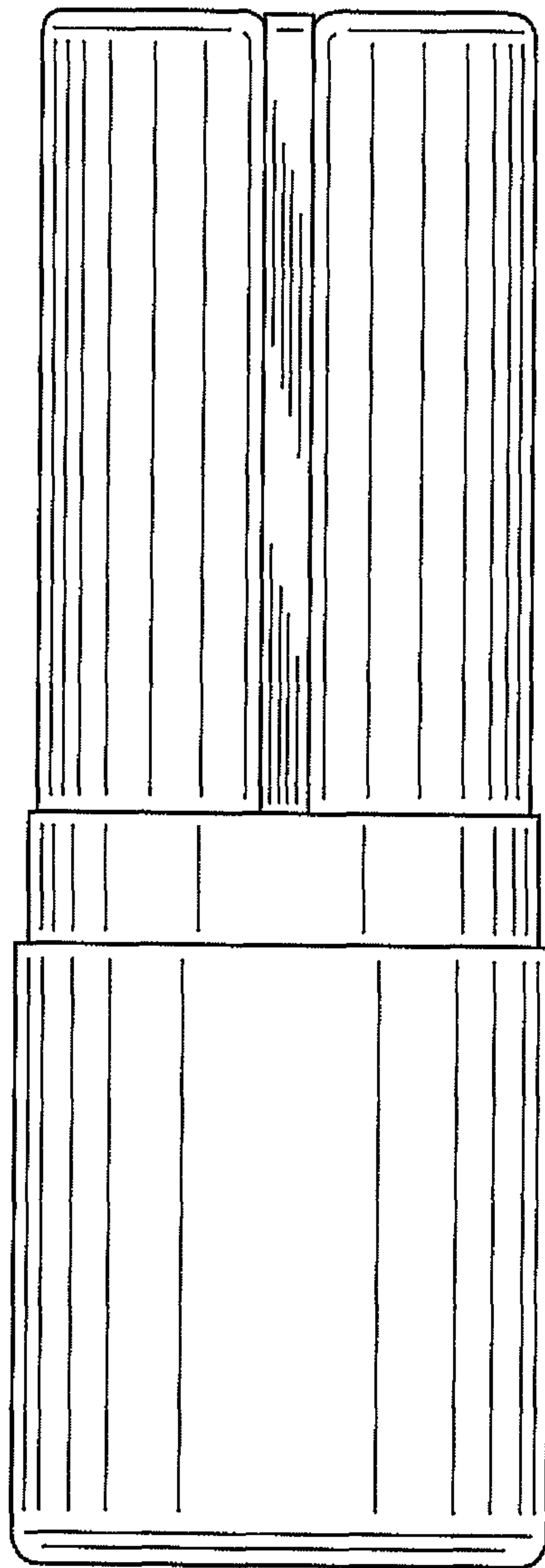


FIG. 5

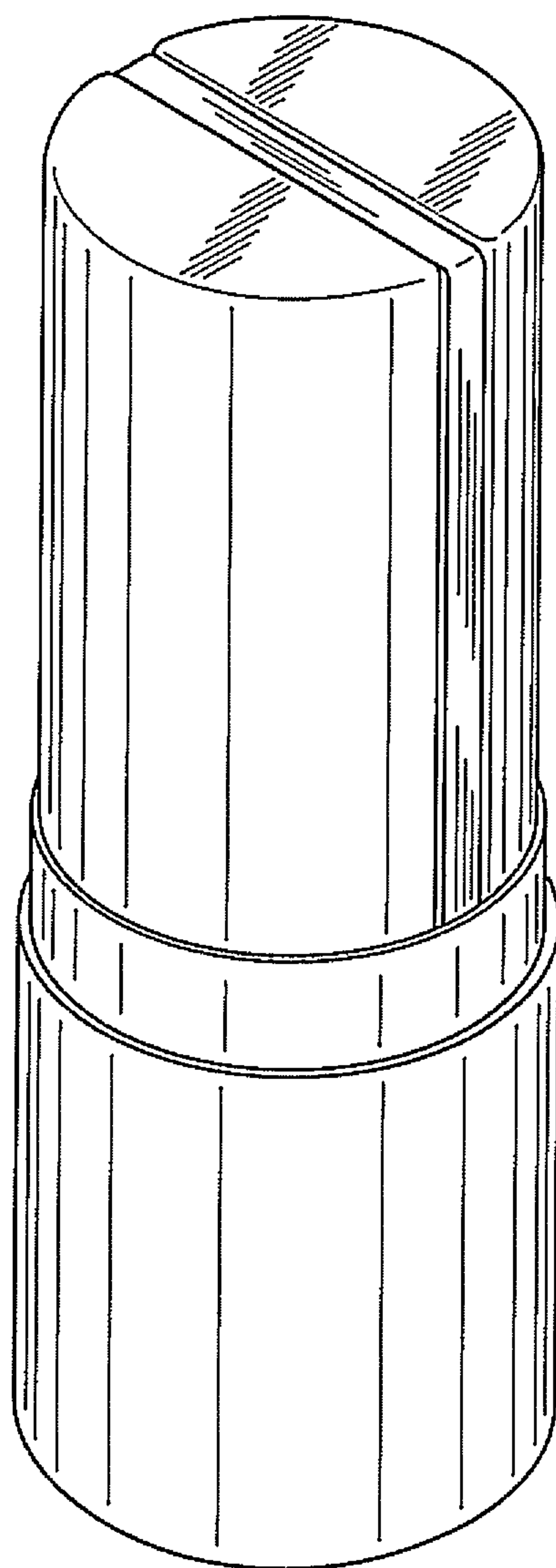


FIG. 6

