



US00D707659S

(12) **United States Design Patent**
Henning

(10) **Patent No.:** **US D707,659 S**
(45) **Date of Patent:** **** Jun. 24, 2014**

(54) **HEADSET**

(71) Applicant: **Sony Mobile Communications AB,**
Lund (SE)

(72) Inventor: **Simon Henning,** Lund (SE)

(73) Assignee: **Sony Mobile Communications AB,**
Lund (SE)

(**) Term: **14 Years**

(21) Appl. No.: **29/459,933**

(22) Filed: **Jul. 5, 2013**

(30) **Foreign Application Priority Data**

Jun. 12, 2013 (EM) 002254409-0001

(51) **LOC (10) Cl.** **14-01**

(52) **U.S. Cl.**
USPC **D14/223**

(58) **Field of Classification Search**
CPC H04R 1/10
USPC D14/205, 223; 181/129, 130, 135;
379/430, 431; 381/380, 381, 375;
455/90.3, 575.1

See application file for complete search history.

(56) **References Cited**

U.S. PATENT DOCUMENTS

D479,834 S * 9/2003 Salazar et al. D14/205
D481,374 S * 10/2003 Lee D14/188
6,760,459 B2 * 7/2004 Bae 381/375
D502,171 S * 2/2005 Tang et al. D14/223
D517,054 S * 3/2006 Yang D14/223
D520,497 S * 5/2006 Yang D14/223
D538,792 S * 3/2007 Kim et al. D14/223
D542,267 S * 5/2007 Cha et al. D14/206
D555,151 S * 11/2007 Eklund D14/223

D559,836 S * 1/2008 Lee D14/223
D581,396 S * 11/2008 Wikel et al. D14/206
D582,897 S * 12/2008 Christopher et al. D14/223
D603,378 S * 11/2009 Paradise D14/223
D624,904 S * 10/2010 Lim D14/223
D628,989 S * 12/2010 Lee et al. D14/223
D640,242 S * 6/2011 Fahrendorff et al. D14/223
D664,125 S * 7/2012 Koch et al. D14/223
D664,950 S * 8/2012 Rye et al. D14/223
8,285,208 B2 * 10/2012 Terlizzi 455/41.2
D693,796 S * 11/2013 Birger D14/223
2009/0116678 A1 * 5/2009 Bevirt et al. 381/381

FOREIGN PATENT DOCUMENTS

JP D1452579 10/2012

OTHER PUBLICATIONS

Notice of Allowance with Search Report from corresponding Taiwanese Application No. 102304624, completed on Feb. 14, 2014.

* cited by examiner

Primary Examiner — Paula Greene

(74) *Attorney, Agent, or Firm* — Renner, Otto, Boisselle & Sklar, LLP

(57) **CLAIM**

The ornamental design for a headset, as shown and described.

DESCRIPTION

FIG. 1 is a perspective view of a headset showing my new design.

FIG. 2 is another perspective view thereof.

FIG. 3 is a front view thereof.

FIG. 4 is a rear view thereof.

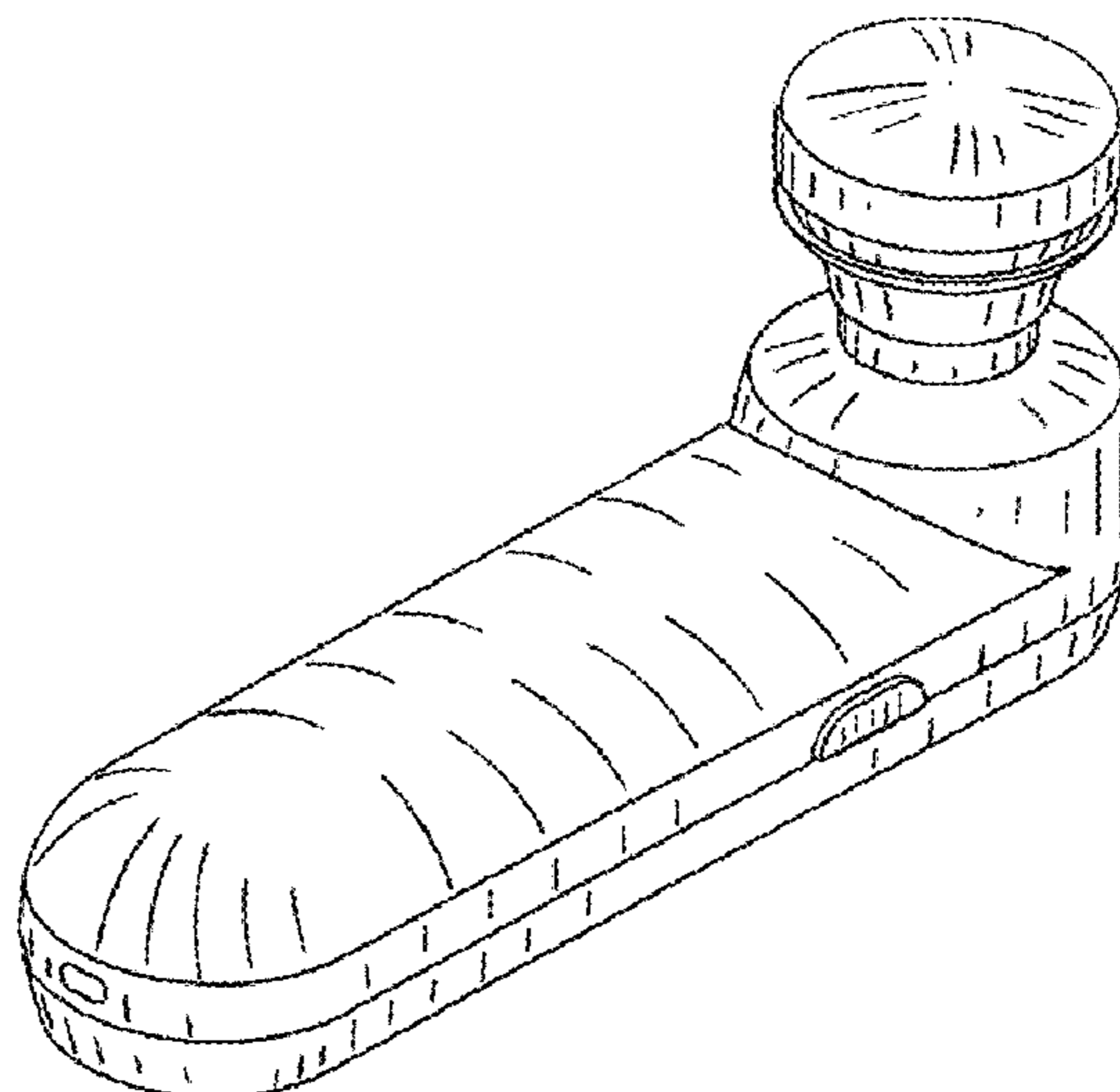
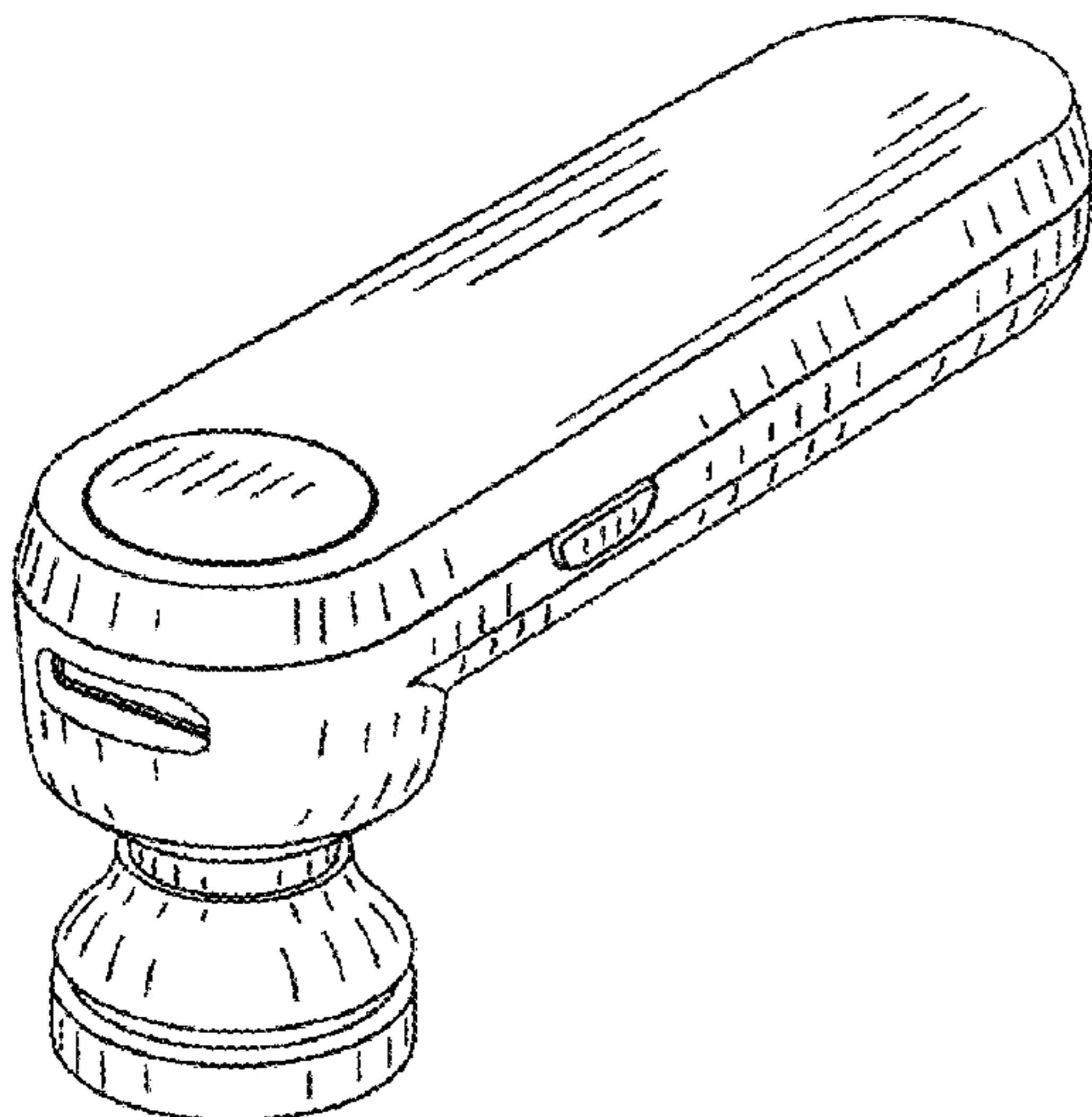
FIG. 5 is a right side view thereof.

FIG. 6 is a left side view thereof.

FIG. 7 is a top view thereof; and,

FIG. 8 is a bottom view thereof.

1 Claim, 2 Drawing Sheets



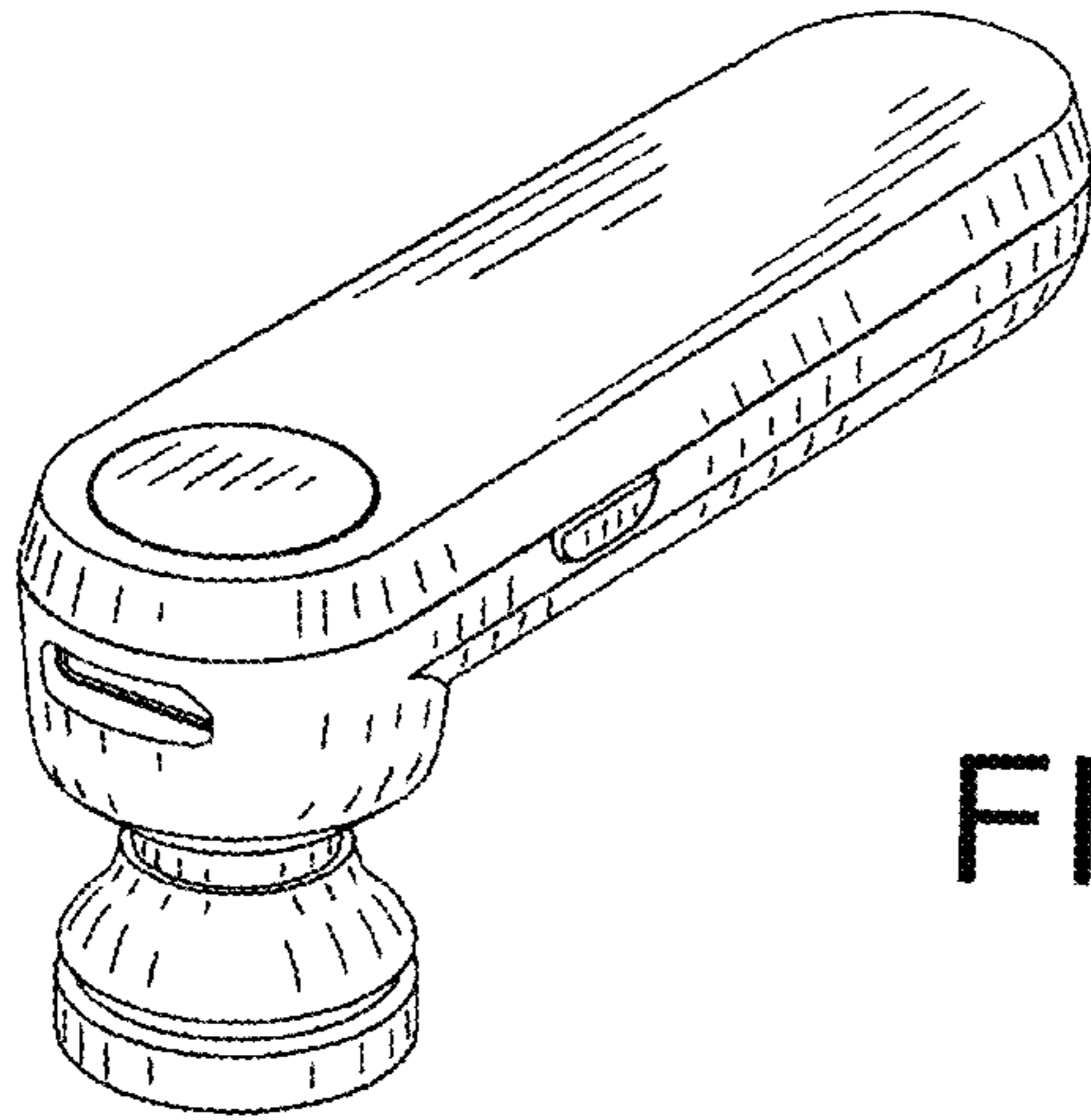


FIG. 1

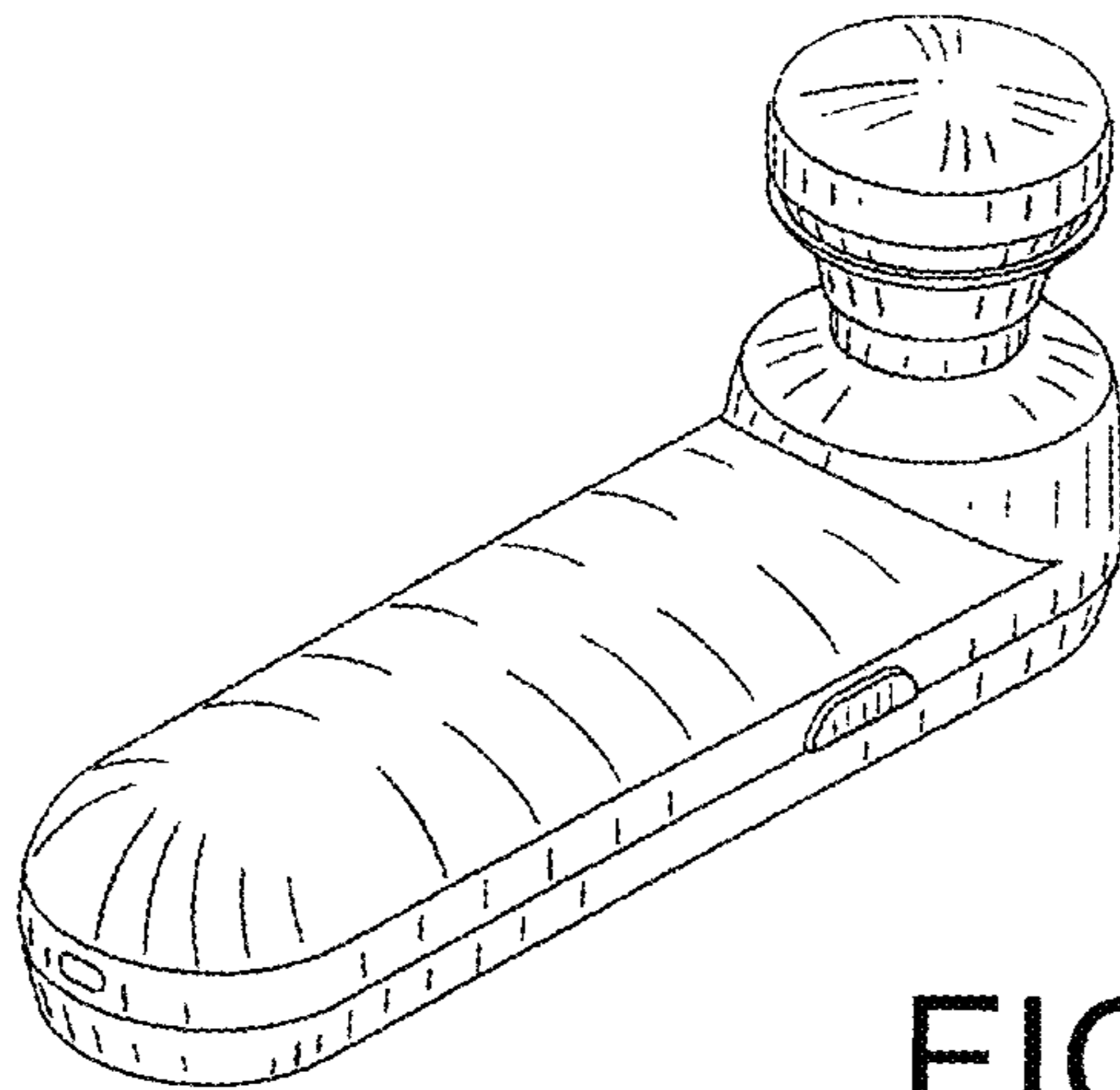


FIG. 2

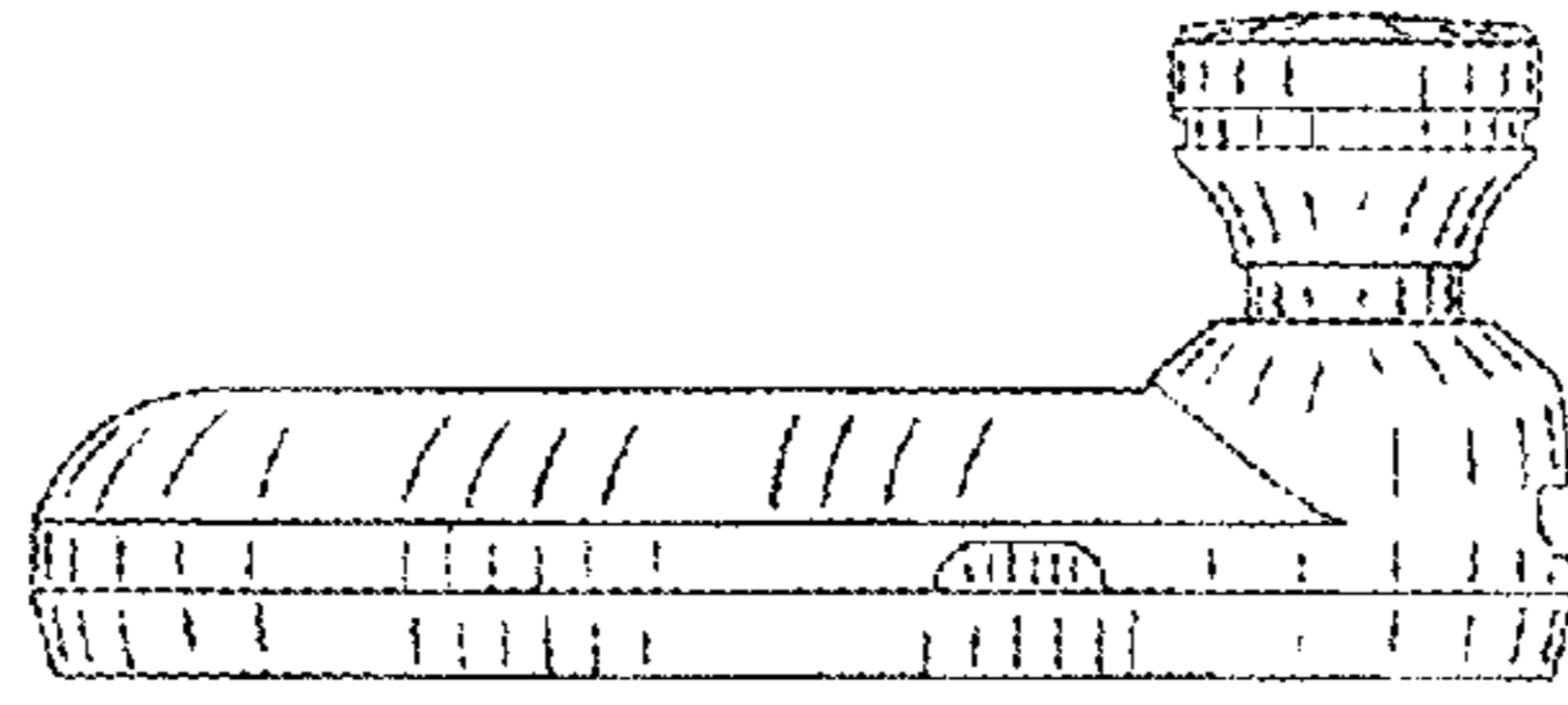


FIG. 7

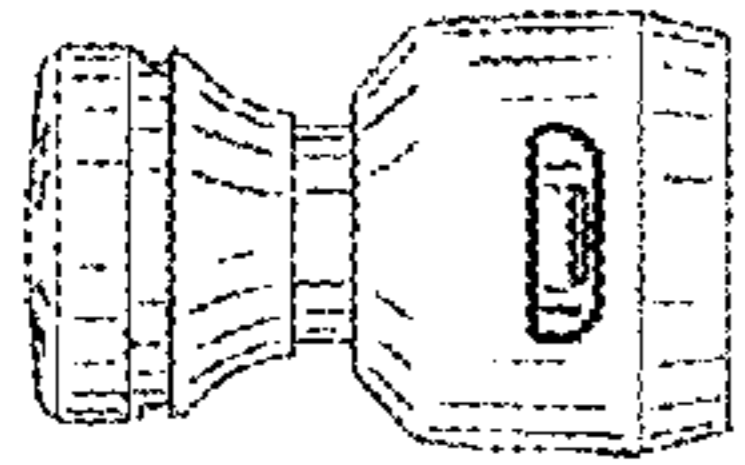


FIG. 5

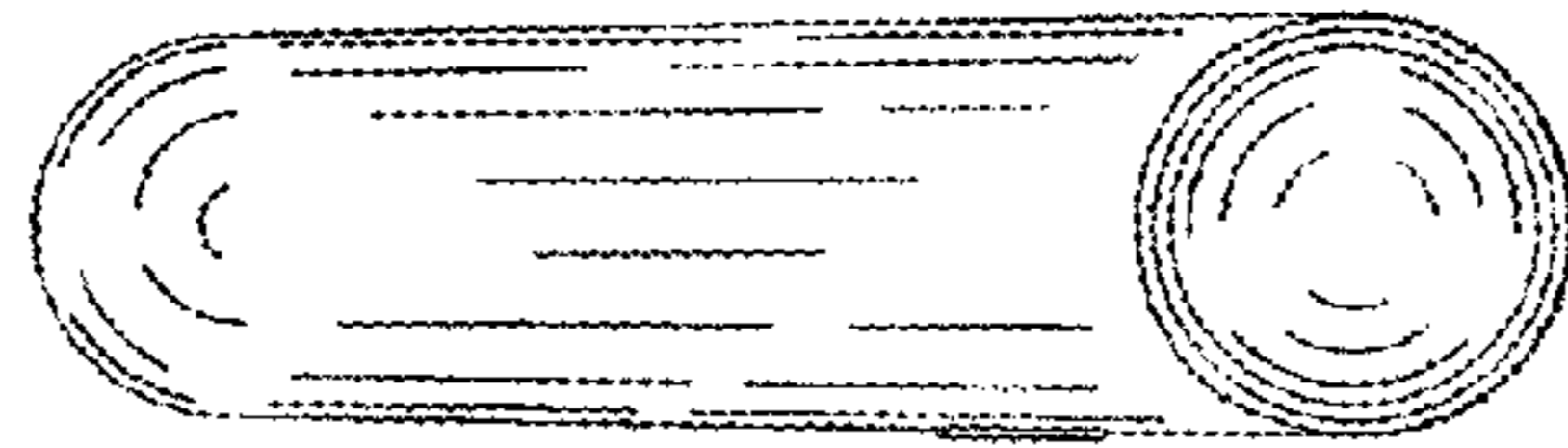


FIG. 4

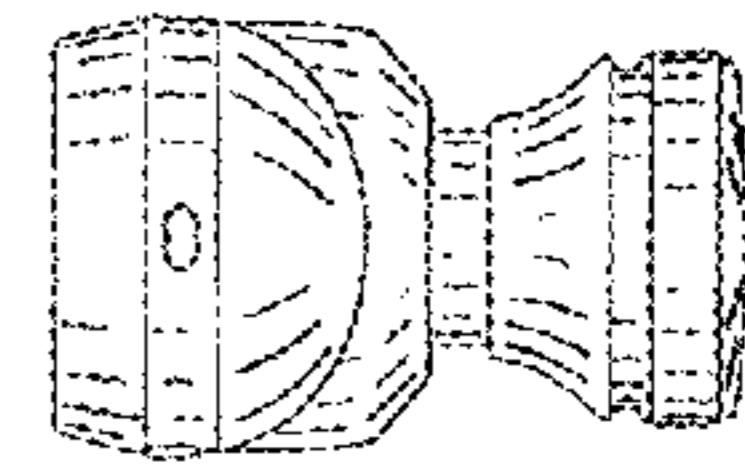


FIG. 6

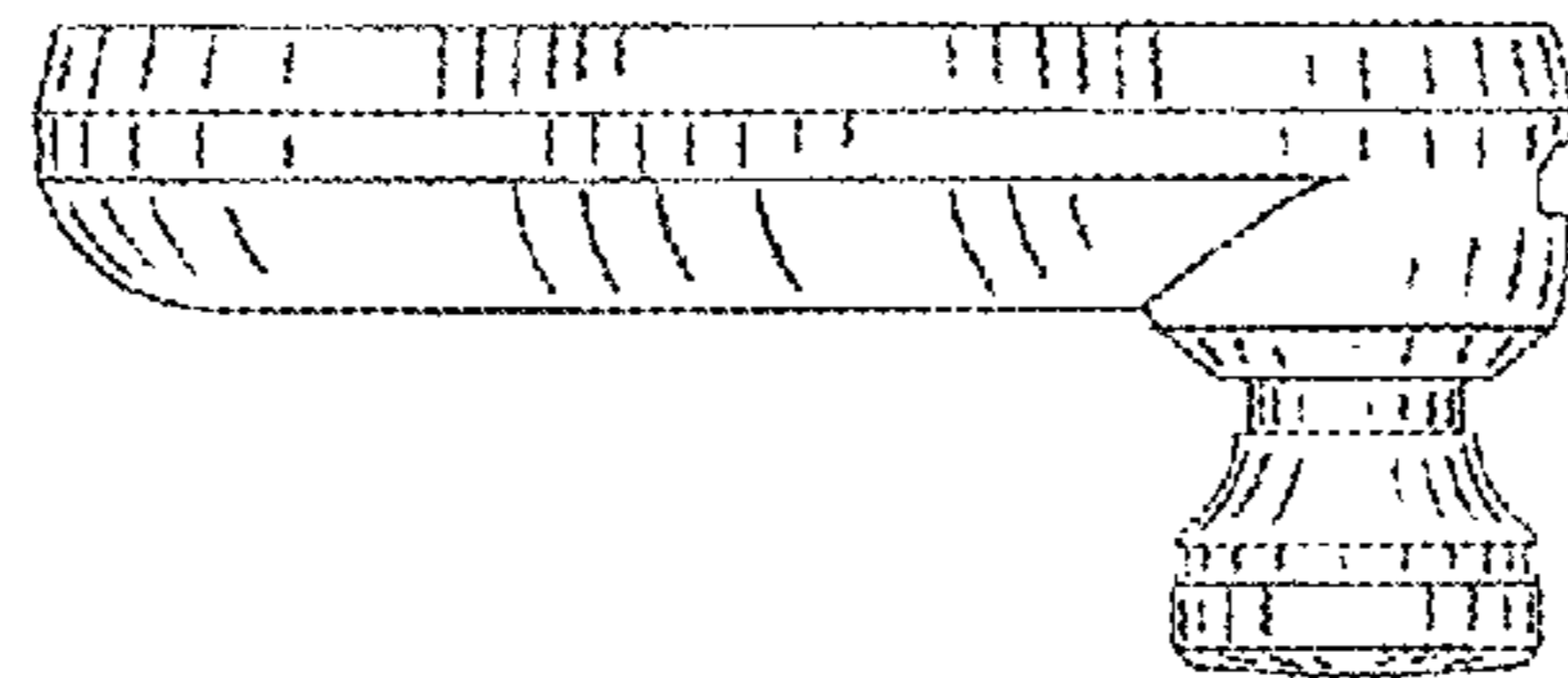


FIG. 8

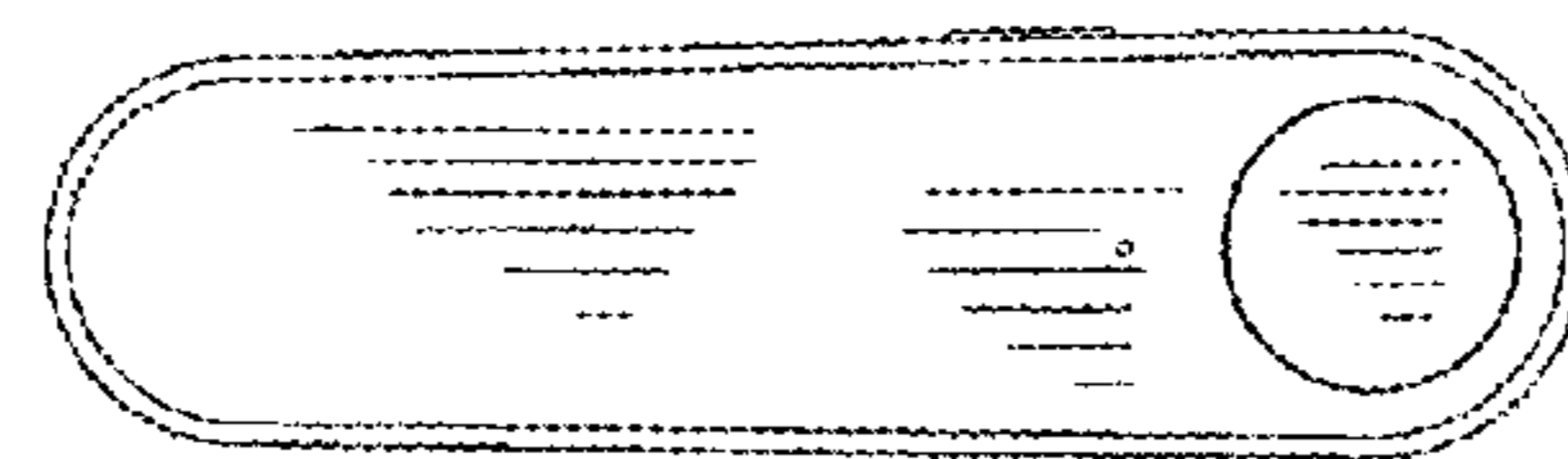


FIG. 3