



US00D707657S

(12) **United States Design Patent**
Burt et al.

(10) **Patent No.:** **US D707,657 S**
(45) **Date of Patent:** **** Jun. 24, 2014**

- (54) **EARPHONES**
- (71) Applicants: **Igor Burt**, La Jolla, CA (US); **Chad Grismer**, San Diego, CA (US)
- (72) Inventors: **Igor Burt**, La Jolla, CA (US); **Chad Grismer**, San Diego, CA (US)
- (73) Assignee: **Puma SE** (DE)
- (**) Term: **14 Years**
- (21) Appl. No.: **29/434,182**
- (22) Filed: **Oct. 10, 2012**
- (51) **LOC (10) Cl.** **14-01**
- (52) **U.S. Cl.**
CPC **H04R 25/00** (2013.01)
USPC **D14/223**
- (58) **Field of Classification Search**
CPC H04R 25/00
USPC D14/205, 206, 223, 402, 407, 408;
181/129, 130, 135; 379/430, 431;
381/380, 381; 455/90.3, 575.1;
200/179, 180, 11 TW; 345/163, 184;
D8/DIG. 2; D9/434; 359/819; 356/124;
264/222
See application file for complete search history.

- (56) **References Cited**
U.S. PATENT DOCUMENTS
D42,874 S * 8/1912 McCance D18/12
2,445,211 A * 7/1948 Drake 74/553
D186,422 S * 10/1959 Kohler D23/254
3,150,247 A * 9/1964 White 200/504
D206,665 S * 1/1967 Sanzone D24/174
3,475,528 A * 10/1969 Parks et al. 264/222
3,504,139 A * 3/1970 Long 200/11 TW
3,809,830 A * 5/1974 Lockard et al. 200/11 TW
4,201,899 A * 5/1980 Owen 200/180
4,910,503 A * 3/1990 Brodsky 345/161

- 5,159,706 A * 10/1992 Hodsdon 455/90.3
- 5,825,353 A * 10/1998 Will 345/184
- 6,333,473 B1 * 12/2001 Sawada et al. 200/4
- D454,115 S * 3/2002 Zemba D13/147
- 7,042,445 B2 * 5/2006 Hara et al. 345/184
- 7,057,120 B2 * 6/2006 Ma et al. 200/11 TW
- 7,057,833 B2 * 6/2006 Ooi et al. 359/819
- D595,268 S * 6/2009 Kolton D14/223
- D600,675 S * 9/2009 Lee et al. D14/205
- D611,934 S * 3/2010 Schaefer D14/223
- 7,714,839 B2 * 5/2010 Everest et al. 345/156
- D618,211 S * 6/2010 Oguro et al. D14/205
- D624,056 S * 9/2010 Kolton D14/223
- D627,338 S * 11/2010 Koss et al. D14/223
- D633,482 S * 3/2011 Koss et al. D14/223
- D637,181 S * 5/2011 Fuller et al. D14/223
- D637,585 S * 5/2011 Nagayama et al. D14/223

(Continued)

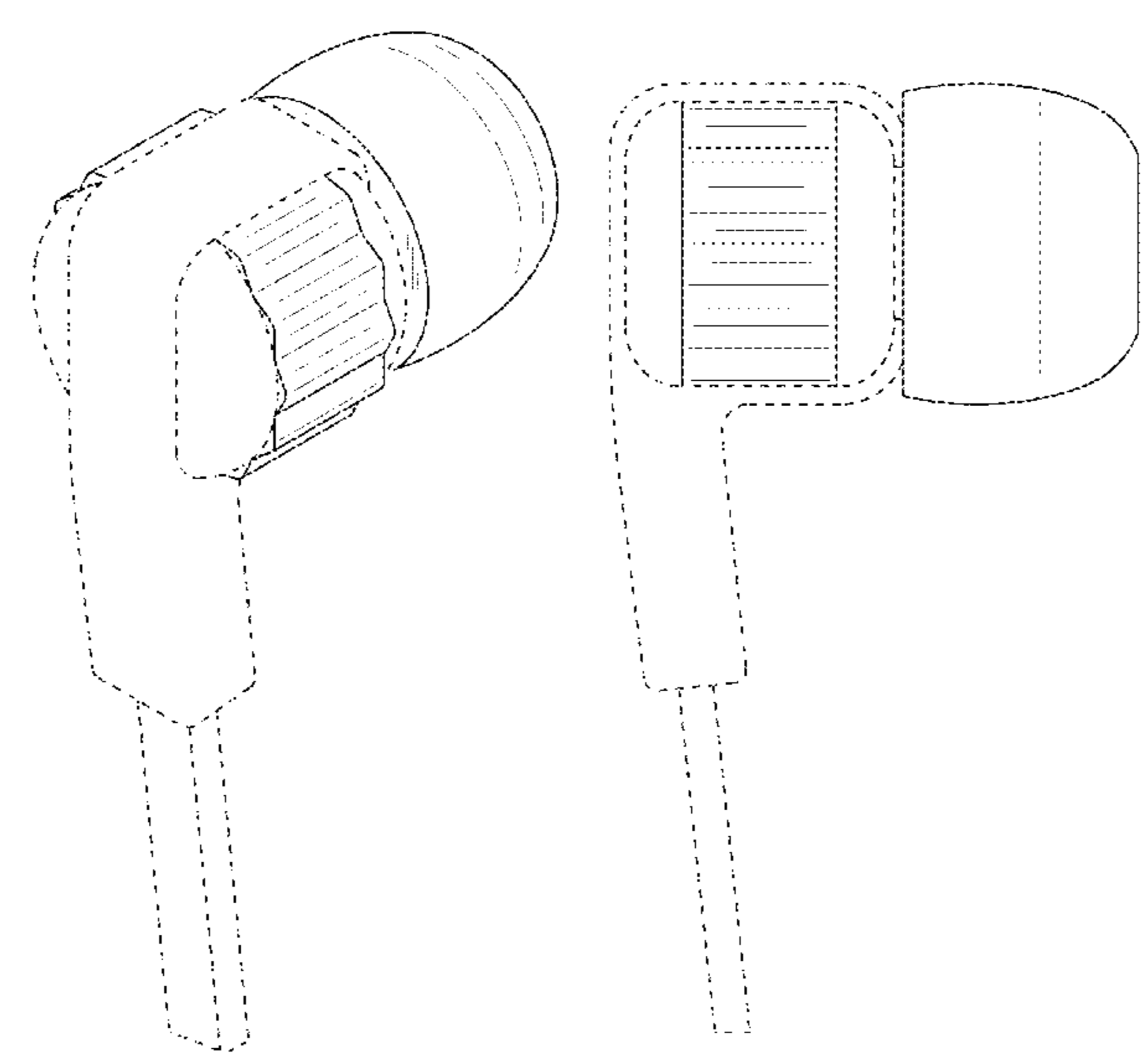
Primary Examiner — Paula Greene
(74) *Attorney, Agent, or Firm* — Mark S. Leonardo;
Catherine S. Feldman Brown Rudnick LLP

(57) **CLAIM**
The ornamental design for an earphone, as shown and described.

DESCRIPTION

FIG. 1 illustrates a right side perspective view of an earphone employing an ornamental design in accordance with the present invention;
FIG. 2 illustrates a front side view of the earphone of FIG. 1;
FIG. 3 illustrates a back side view of the earphone of FIG. 1;
FIG. 4 illustrates a right side view of the earphone of FIG. 1;
FIG. 5 illustrates a left side view of the earphone of FIG. 1;
FIG. 6 illustrates a top side view of the earphone of FIG. 1; and,
FIG. 7 illustrates a bottom side view of the earphone of FIG. 1.
All features illustrated in phantom line are expressly disclaimed and form no part of the claimed design.

1 Claim, 6 Drawing Sheets



(56)

References Cited

U.S. PATENT DOCUMENTS

D641,008 S * 7/2011 Lee et al. D14/223
D653,243 S * 1/2012 Katsumata et al. D14/223
8,130,123 B2 * 3/2012 Inoue et al. 341/35
D664,951 S * 8/2012 Ang et al. D14/223
D667,818 S * 9/2012 Sogabe et al. D14/223

D676,417 S * 2/2013 Masuda D14/205
D676,426 S * 2/2013 Komiyama D14/223
D677,248 S * 3/2013 Yoon D14/223
D677,653 S * 3/2013 Cantoni et al. D14/223
8,502,965 B2 * 8/2013 Kuo 356/124
D689,043 S * 9/2013 Burt et al. D14/223
D690,685 S * 10/2013 Iacovelli et al. D14/223

* cited by examiner

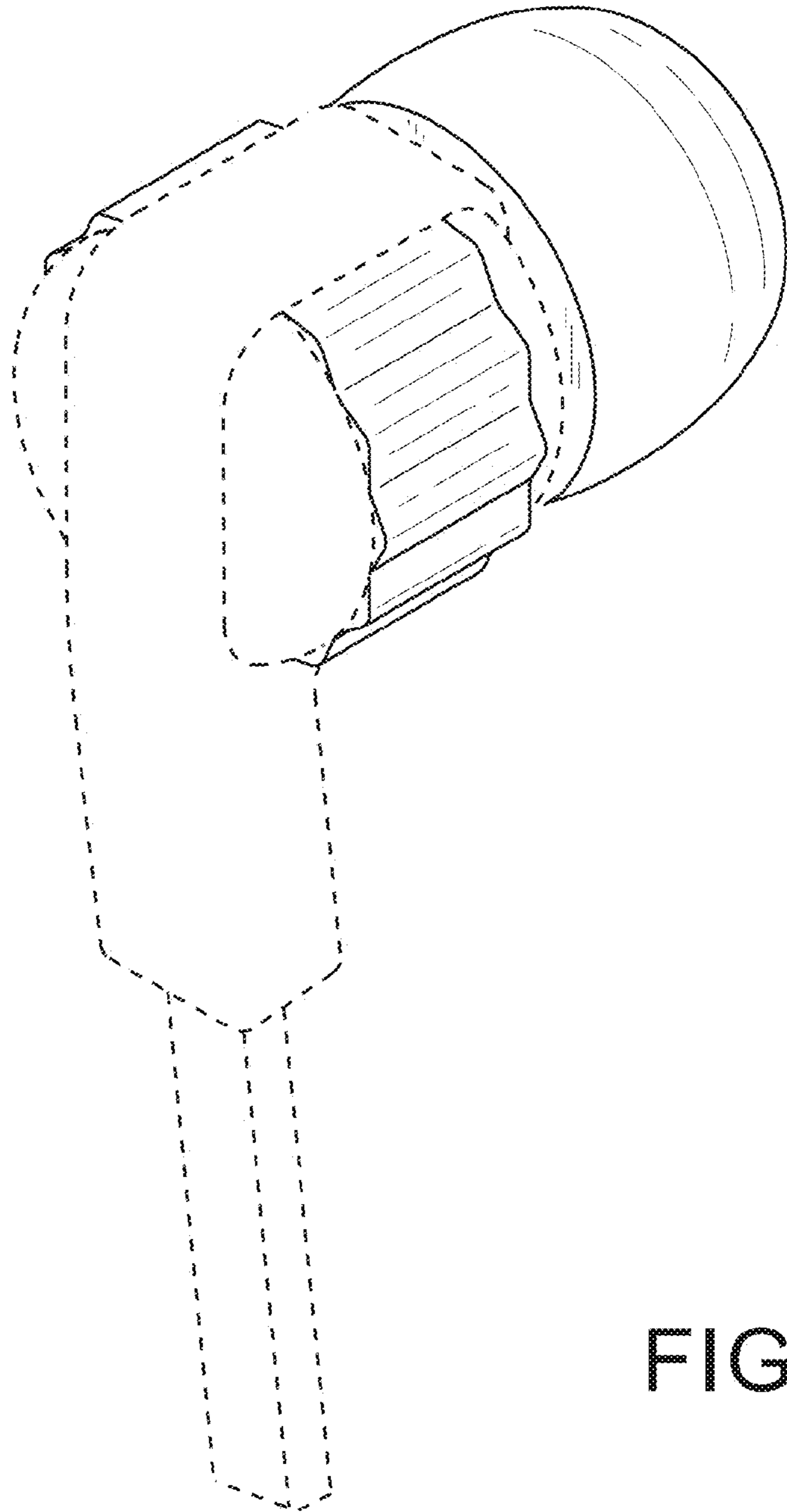


FIG. 1

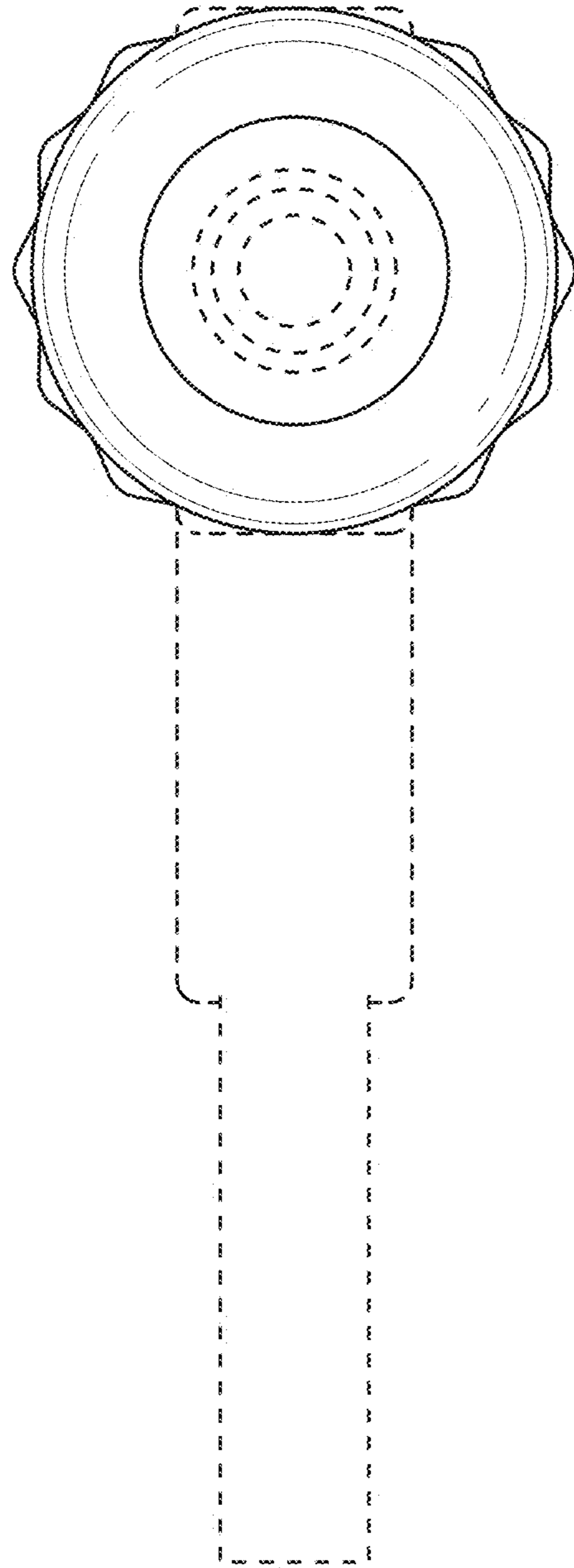


FIG.2

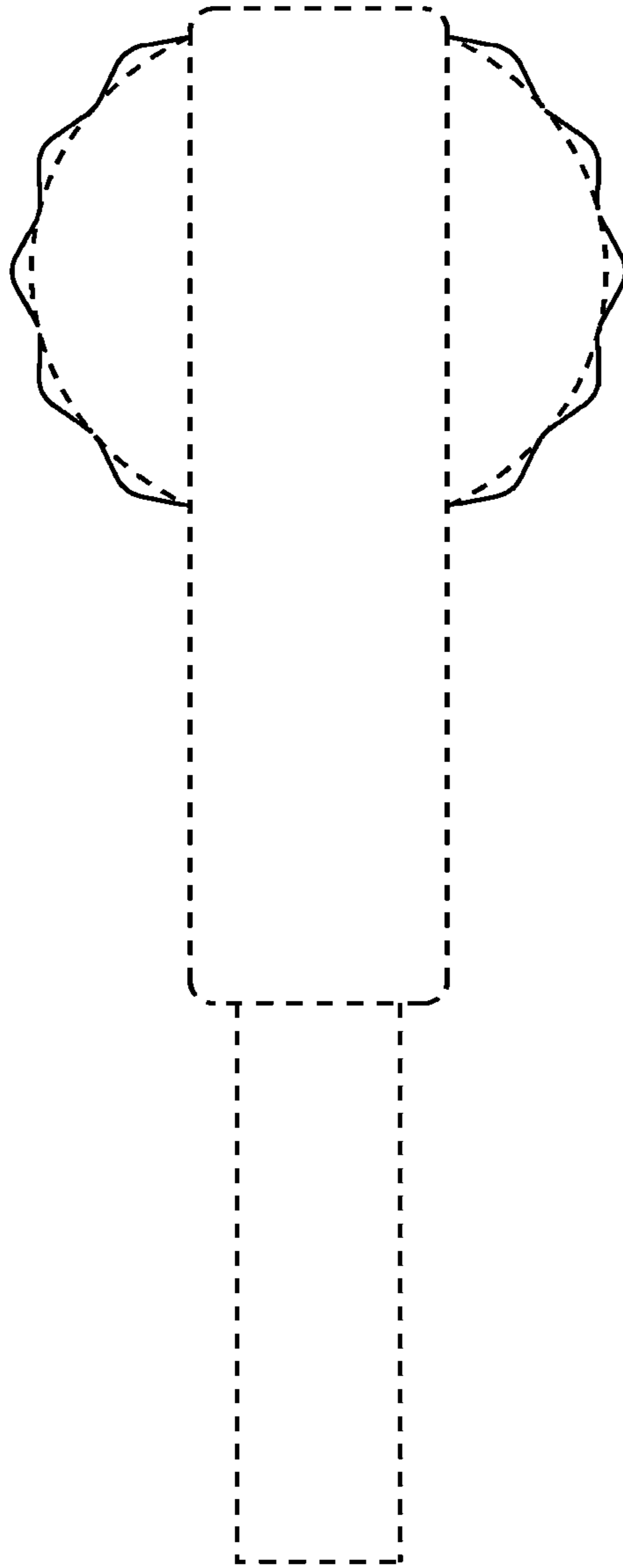


FIG. 3

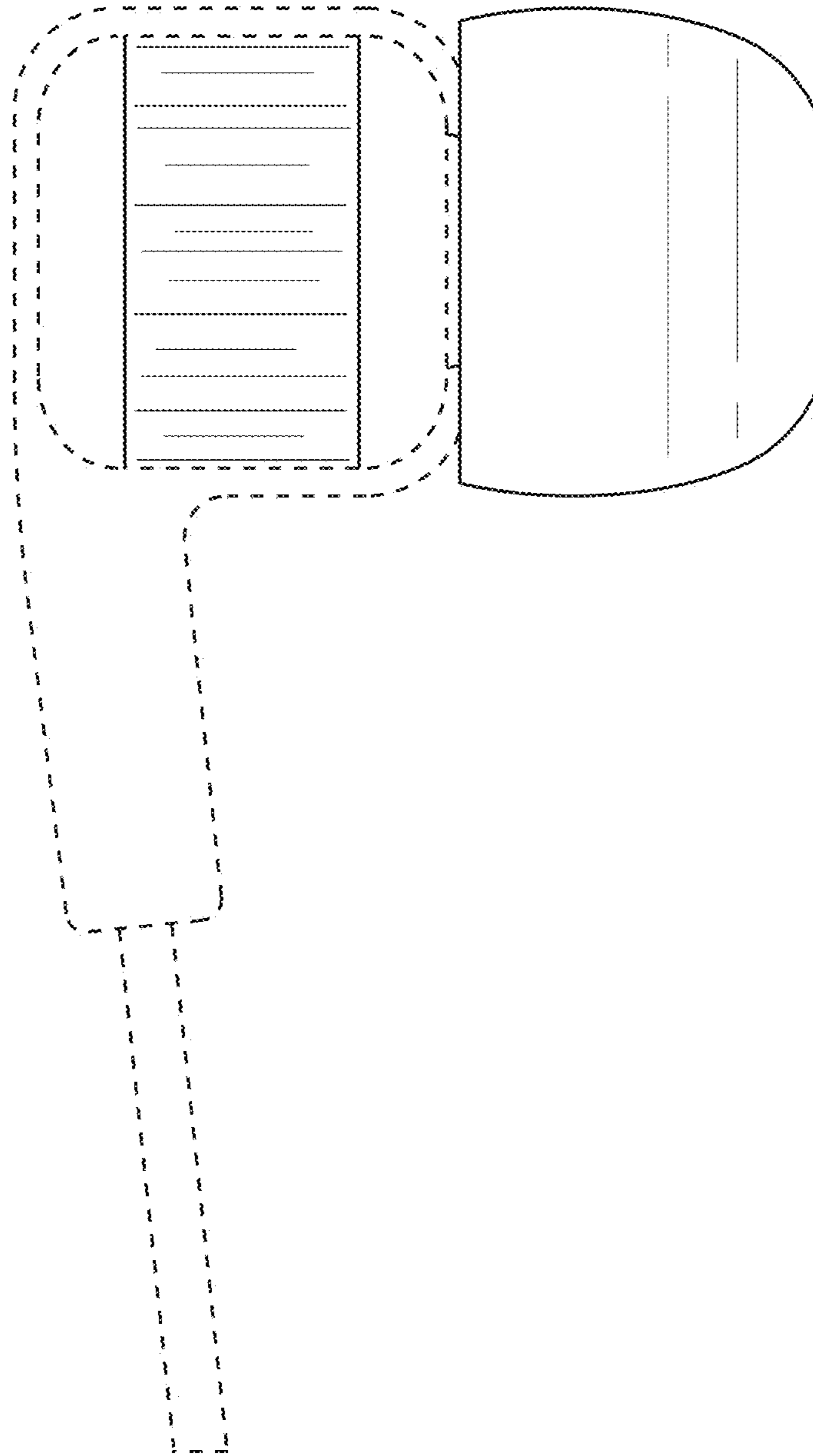


FIG. 4

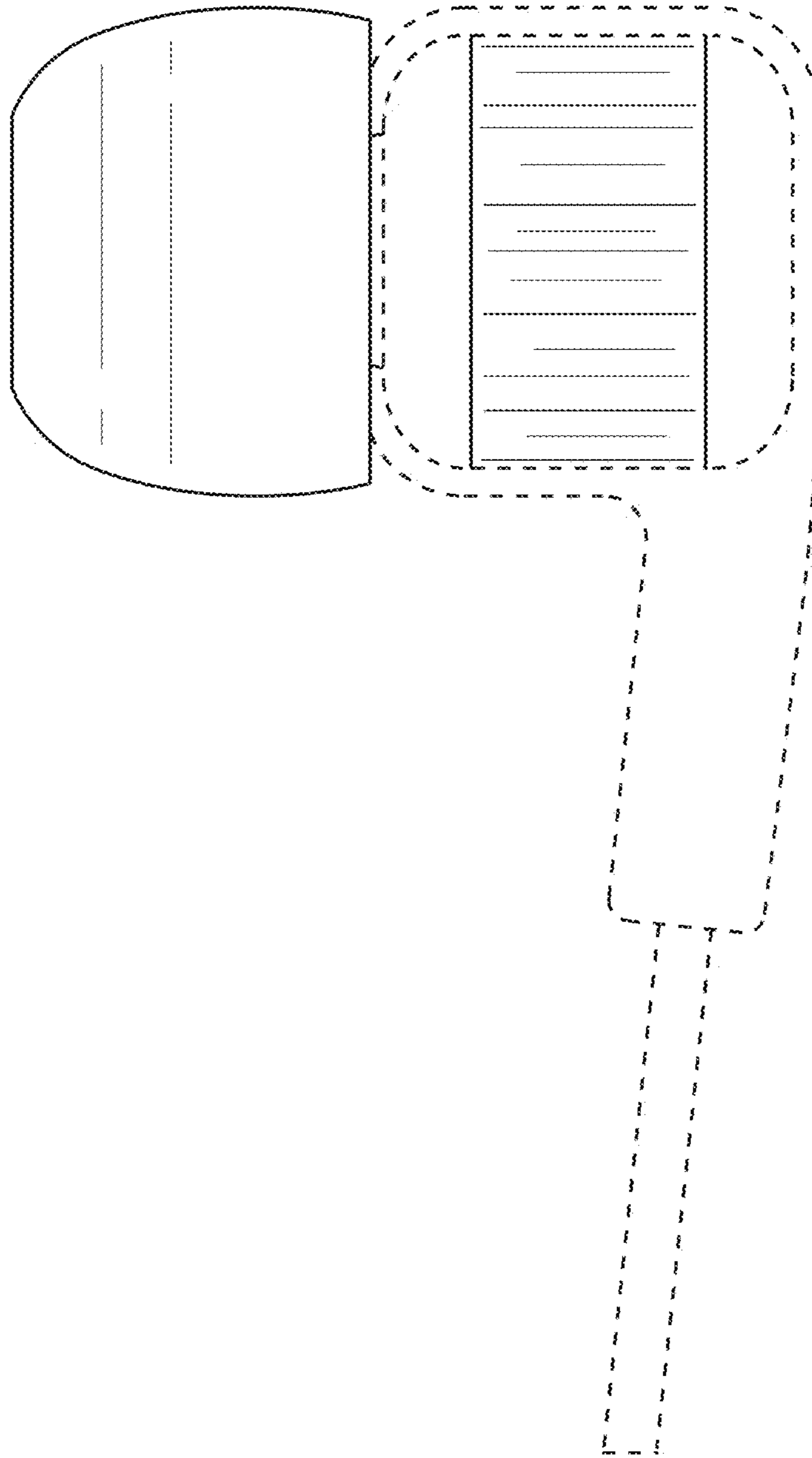


FIG. 5

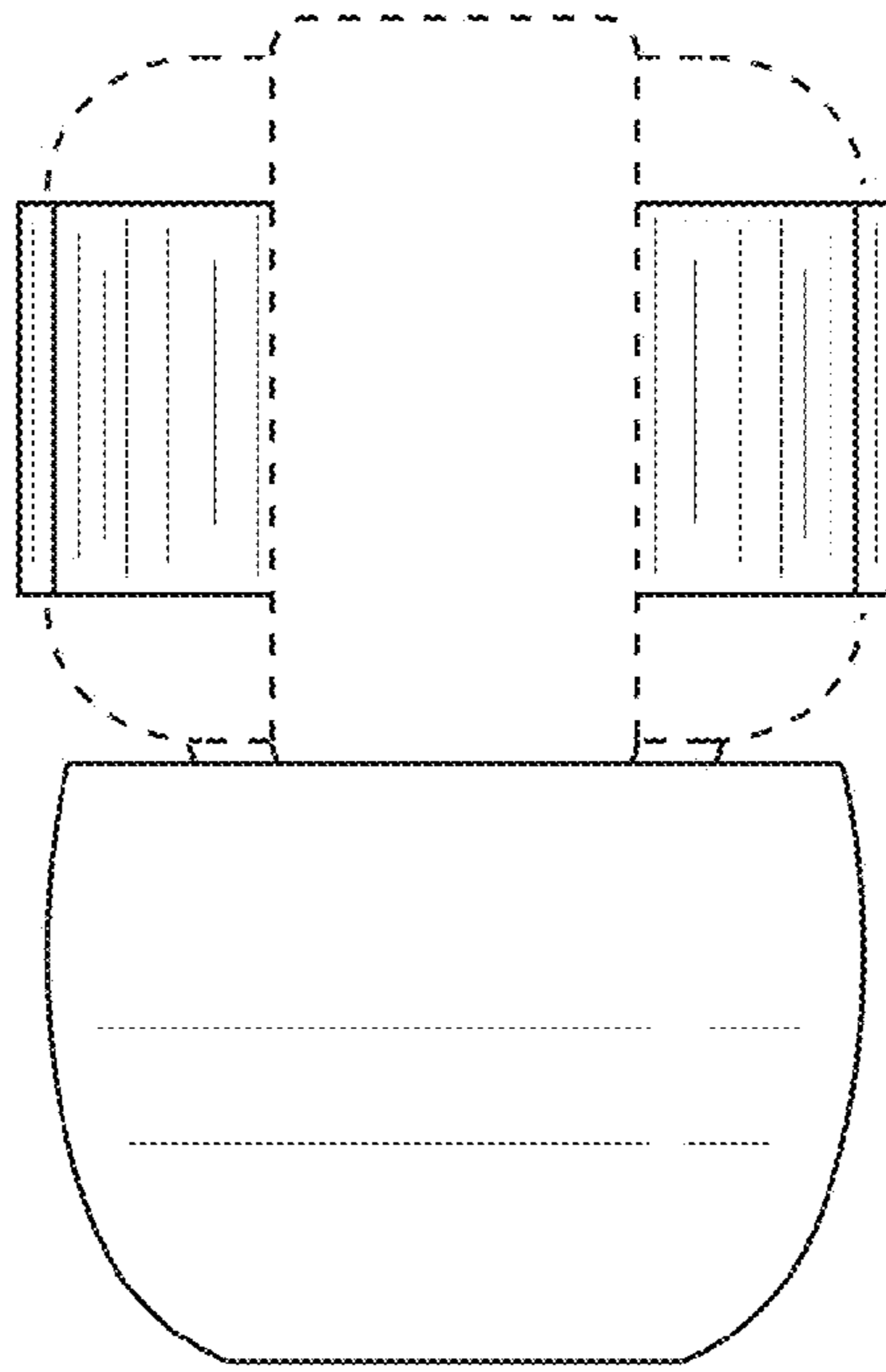


FIG. 6

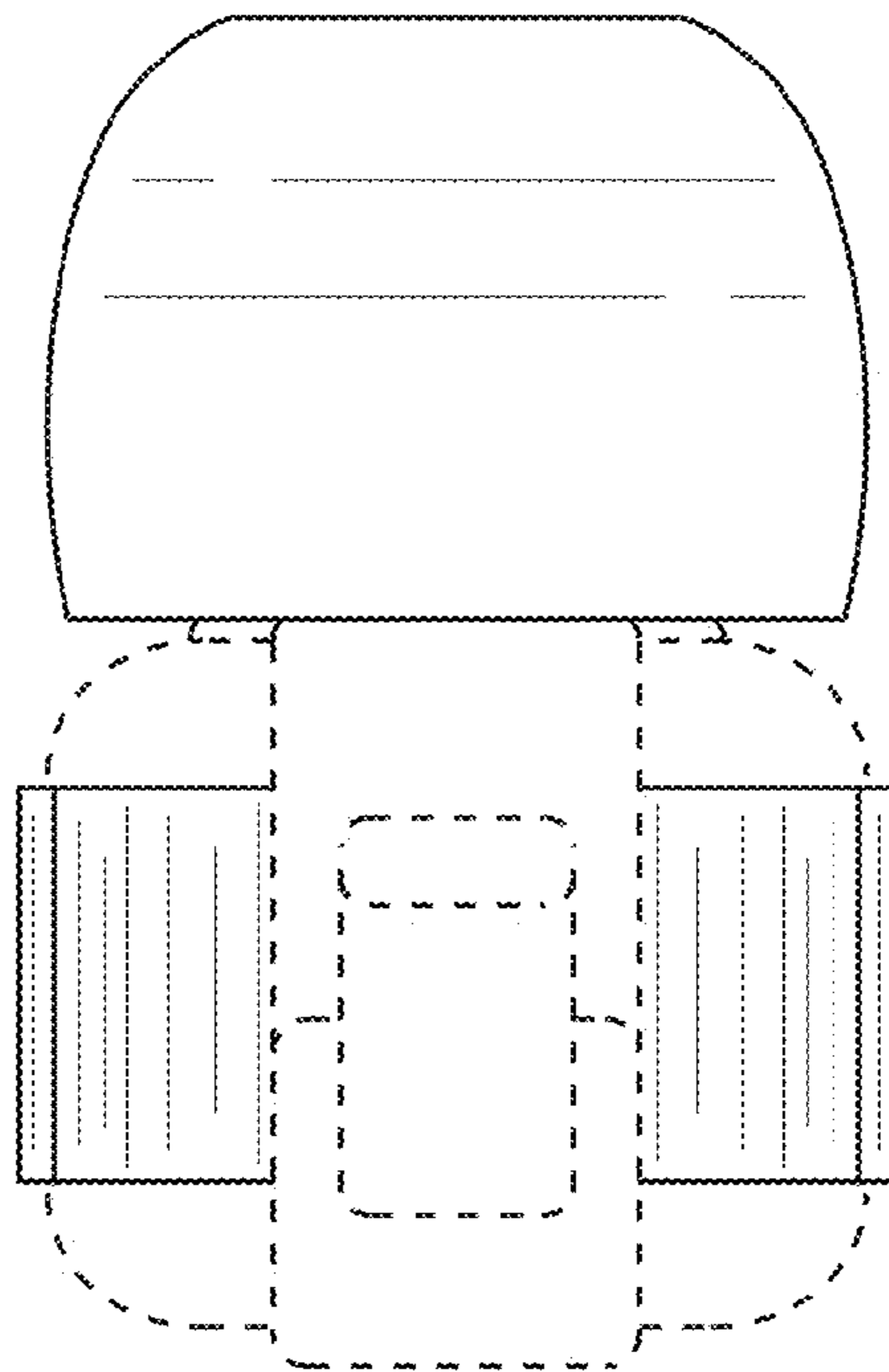


FIG. 7