



US00D707655S

(12) **United States Design Patent**
Porter

(10) **Patent No.:** **US D707,655 S**
(45) **Date of Patent:** **** Jun. 24, 2014**

(54) **HEADSET**

(71) Applicant: **Microsoft Corporation**, Redmond, WA (US)

(72) Inventor: **Austin Porter**, Seattle, WA (US)

(73) Assignee: **Microsoft Corporation**, Redmond, WA (US)

(**) Term: **14 Years**

(21) Appl. No.: **29/457,284**

(22) Filed: **Jun. 7, 2013**

(51) **LOC (10) Cl.** **14-01**

(52) **U.S. Cl.**

CPC **H04M 1/00** (2013.01)

USPC **D14/206**

(58) **Field of Classification Search**

CPC H04M 1/00

USPC D14/205, 206, 223, 225, 226, 227;

181/129, 130, 135; 379/430, 431;

381/380, 381, 370, 375; 455/90.3,

455/575.1

See application file for complete search history.

(56) **References Cited**

U.S. PATENT DOCUMENTS

2,812,517	A *	11/1957	Bogart et al.	2/174
D300,133	S *	3/1989	Daidoh et al.	D14/205
4,875,233	A *	10/1989	Derhaag et al.	379/430
D337,116	S *	7/1993	Hattori	D14/206
5,369,857	A *	12/1994	Sacherman et al.	29/594
D365,559	S *	12/1995	Fathi	D14/142
D377,020	S *	12/1996	Bungardt et al.	D14/205
D404,035	S *	1/1999	Delazzer	D14/206
D488,146	S *	4/2004	Minto	D14/206
D494,957	S *	8/2004	Rath et al.	D14/206
D514,086	S *	1/2006	Skulley	D14/206
D518,479	S *	4/2006	Skulley	D14/225
D530,307	S *	10/2006	Rath	D14/206

D530,702	S *	10/2006	Pritchard et al.	D14/206
D539,788	S *	4/2007	Thompson et al.	D14/225
D539,789	S *	4/2007	Rausch et al.	D14/225
D540,303	S *	4/2007	Rausch et al.	D14/205
D540,778	S *	4/2007	Thompson et al.	D14/206
D541,256	S *	4/2007	Rausch et al.	D14/205
D587,684	S *	3/2009	Ham et al.	D14/205
D633,471	S *	3/2011	Sugiyama	D14/205
D638,000	S *	5/2011	Hoggarth	D14/206
D644,625	S *	9/2011	Iseki	D14/206
D654,471	S *	2/2012	Fischer	D14/206
D654,472	S *	2/2012	Fischer	D14/206
D663,717	S *	7/2012	Hutchieson	D14/206
D664,114	S *	7/2012	Tsuchiya	D14/205
D667,388	S *	9/2012	Kelley	D14/206
D691,110	S *	10/2013	Ham et al.	D14/205

* cited by examiner

Primary Examiner — Paula Greene

(74) *Attorney, Agent, or Firm* — Banner & Witcoff, Ltd.

(57) **CLAIM**

The ornamental design for a headset, as shown and described.

DESCRIPTION

FIG. 1 is a perspective view of a headset showing my new design;

FIG. 2 is a front view thereof;

FIG. 3 is a rear view thereof;

FIG. 4 is a right side view thereof;

FIG. 5 is a left side view thereof;

FIG. 6 is a top view thereof;

FIG. 7 is a bottom view thereof;

FIG. 8 is a perspective view of the headset of FIGS. 1-7 shown without surface shading;

FIG. 9 is a front view thereof;

FIG. 10 is a rear view thereof;

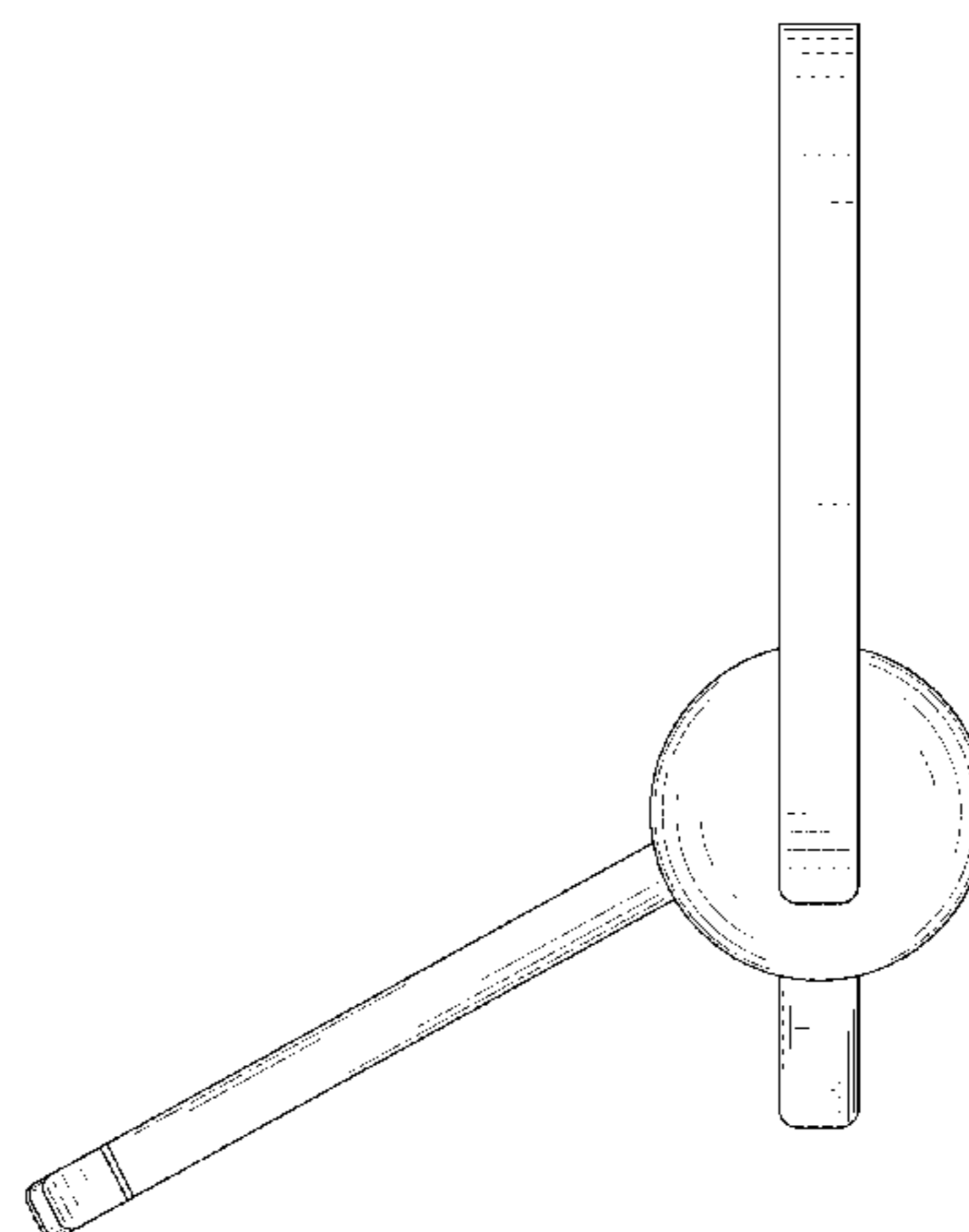
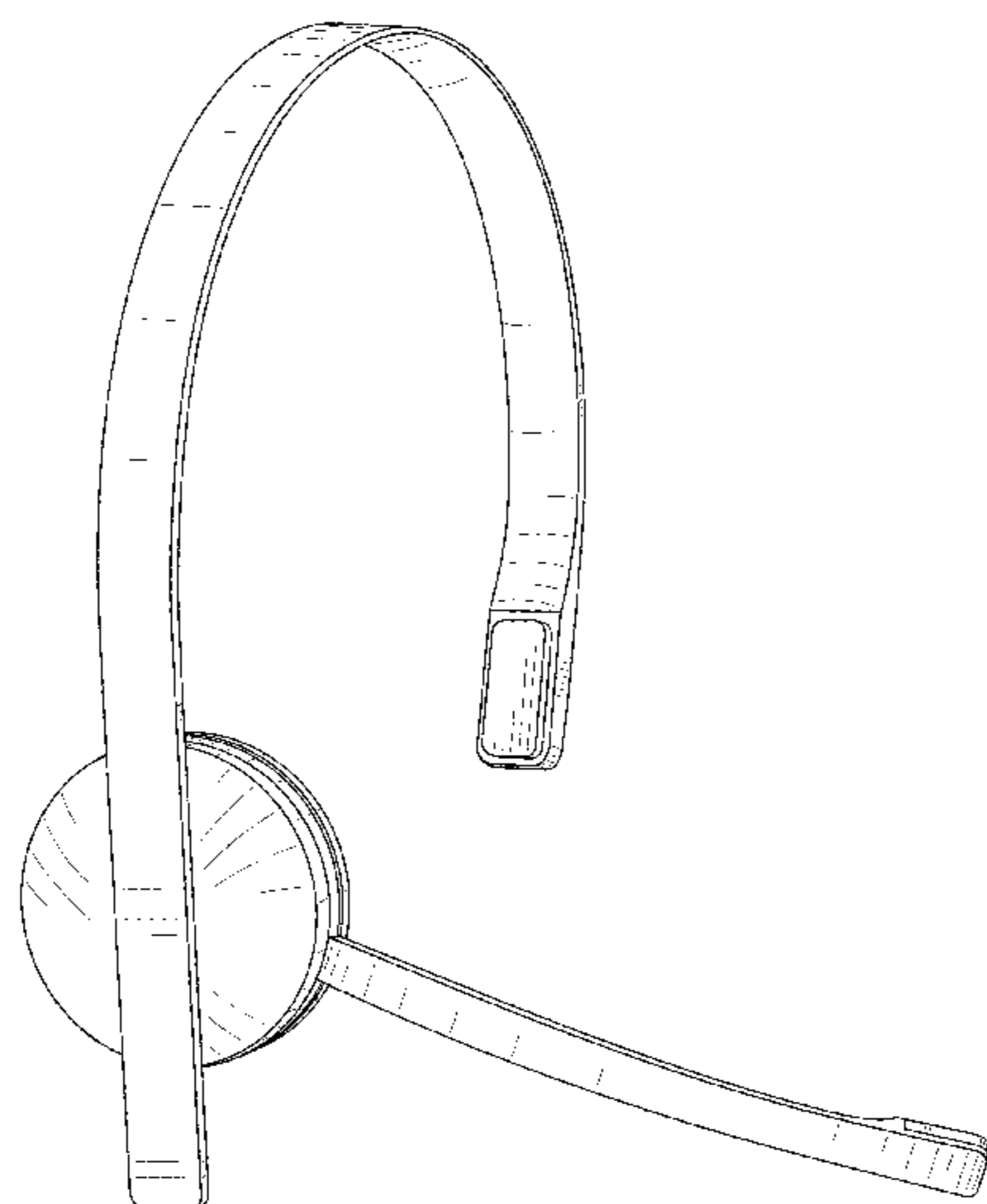
FIG. 11 is a right side view thereof;

FIG. 12 is a left side view thereof;

FIG. 13 is a top view thereof; and,

FIG. 14 is a bottom view thereof.

1 Claim, 14 Drawing Sheets



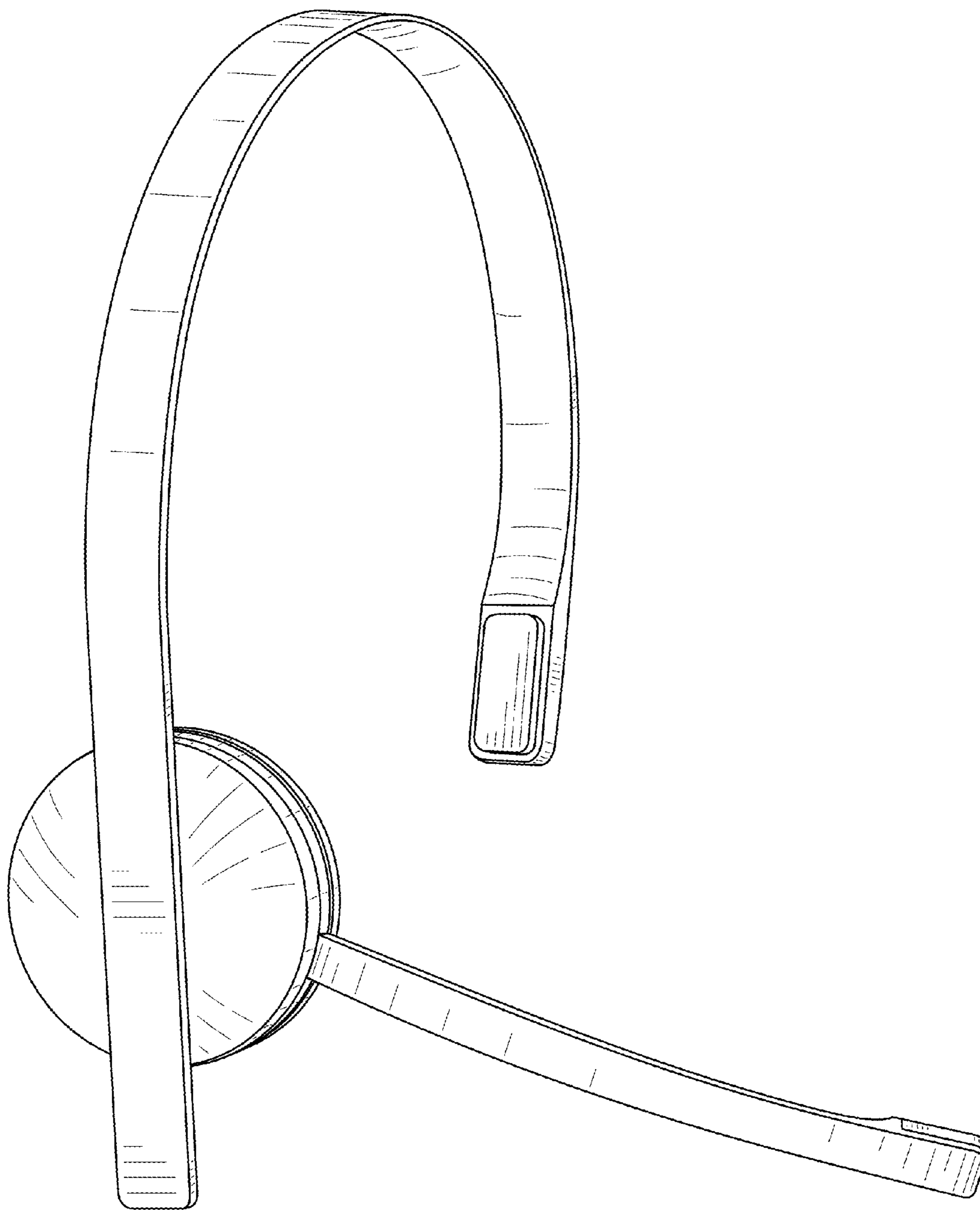


FIG. 1

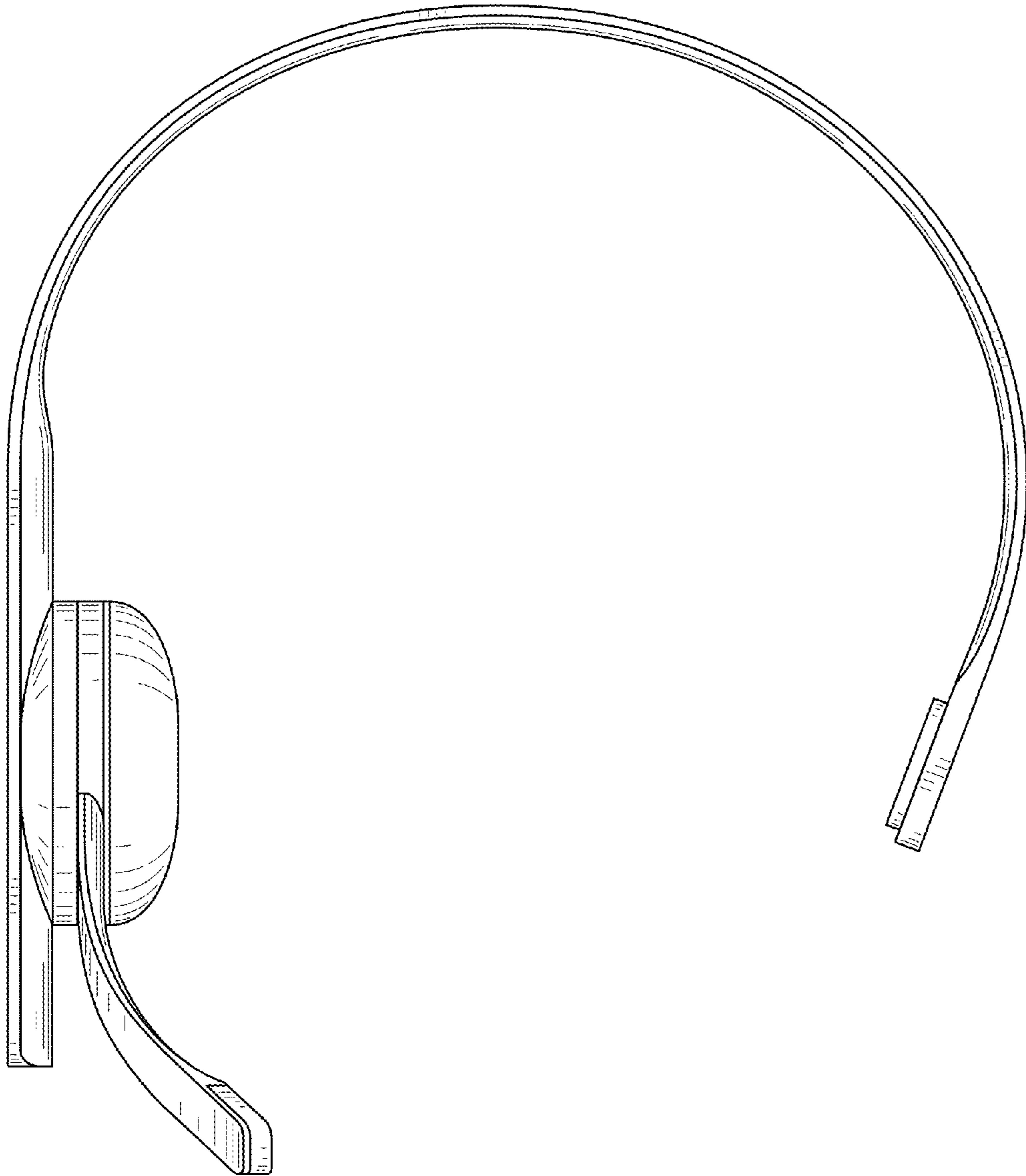


FIG. 2

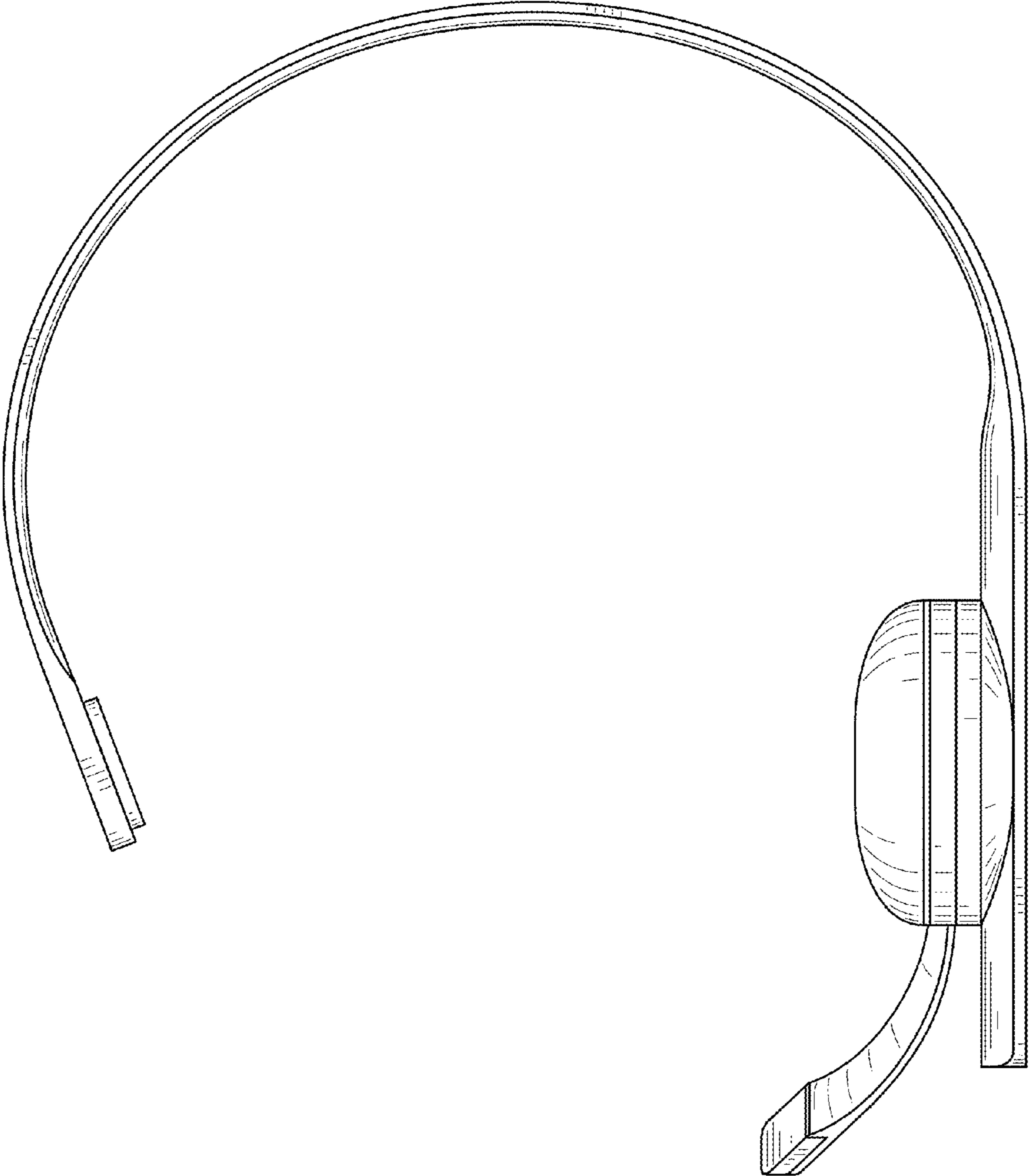


FIG. 3

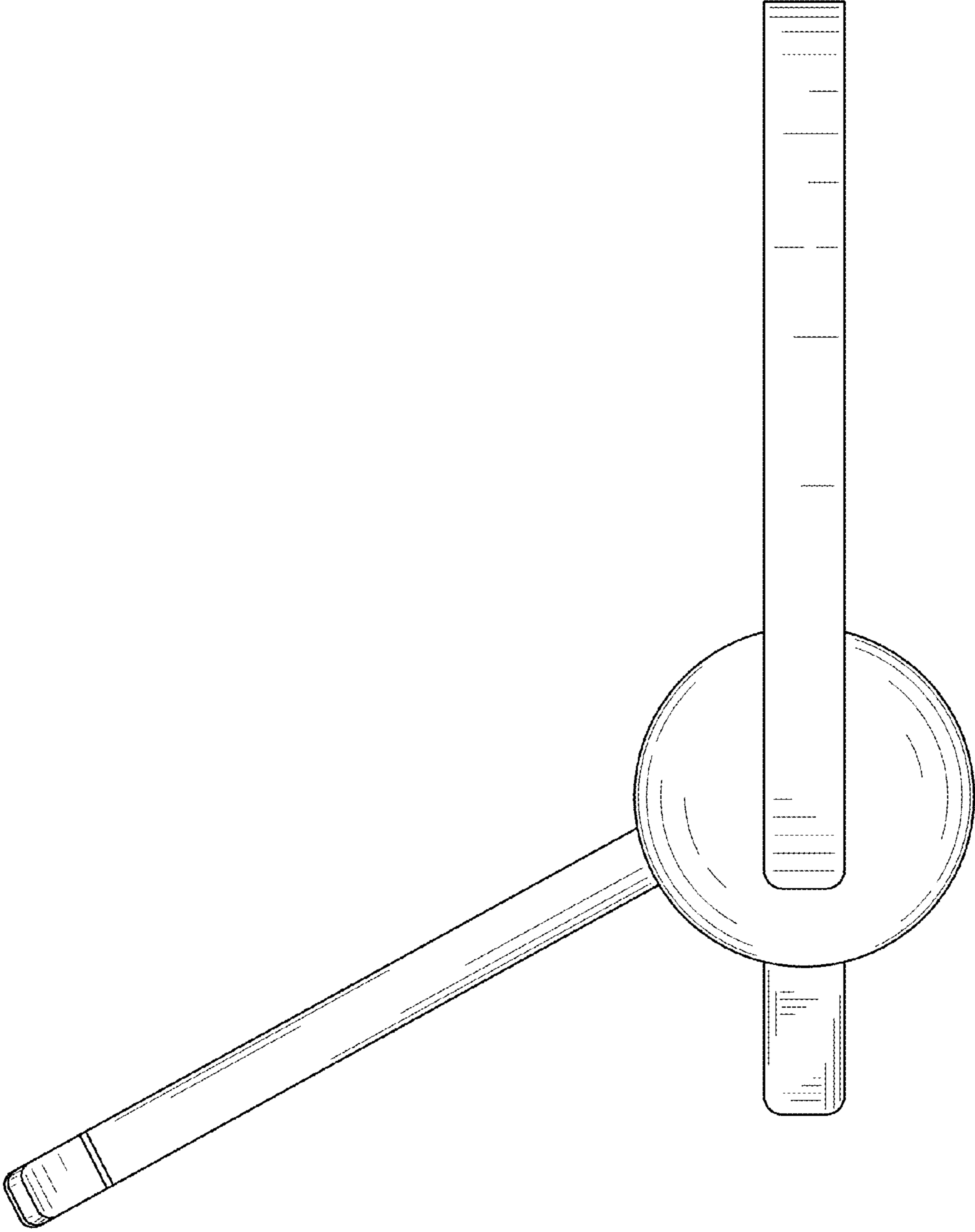


FIG. 4

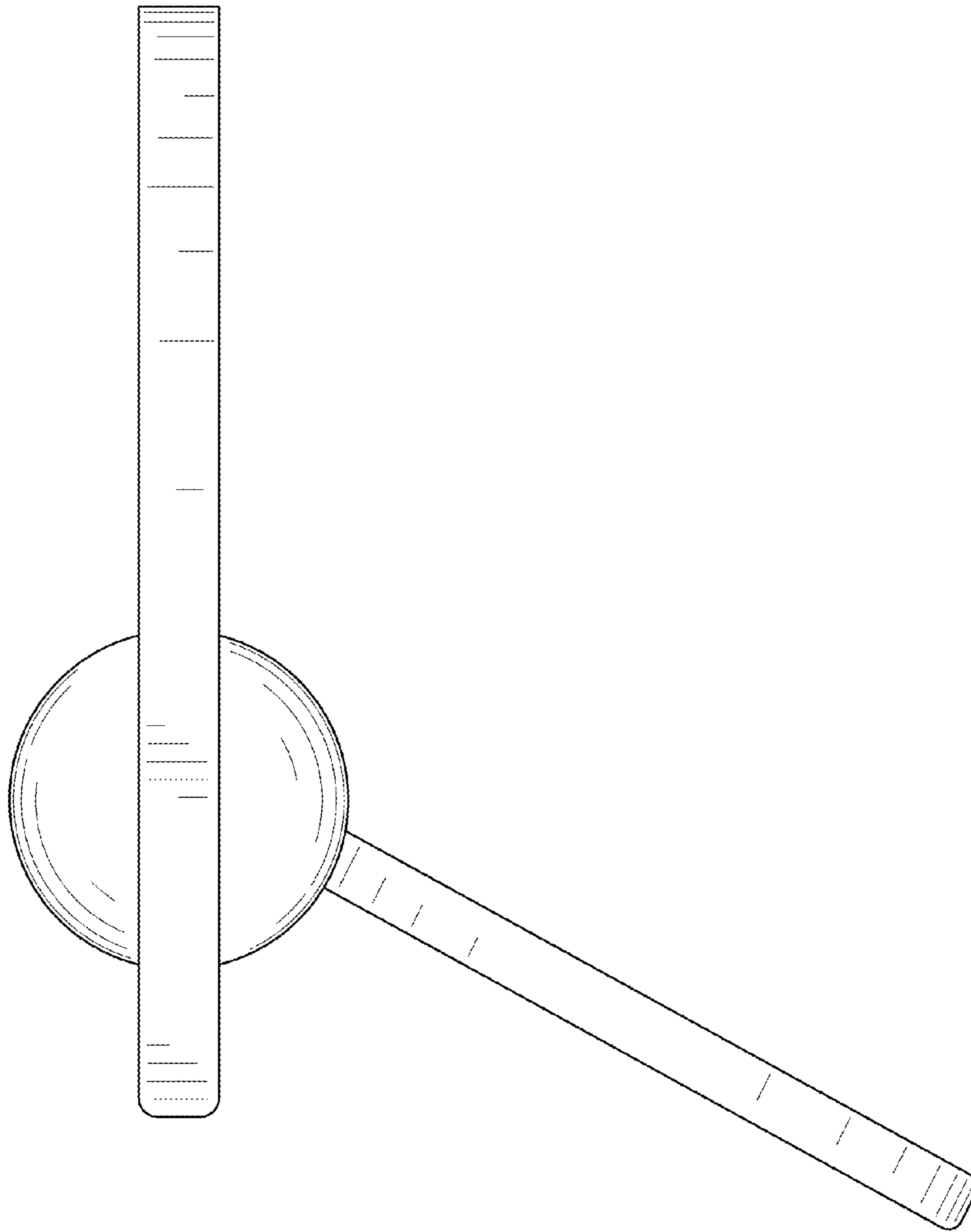


FIG. 5

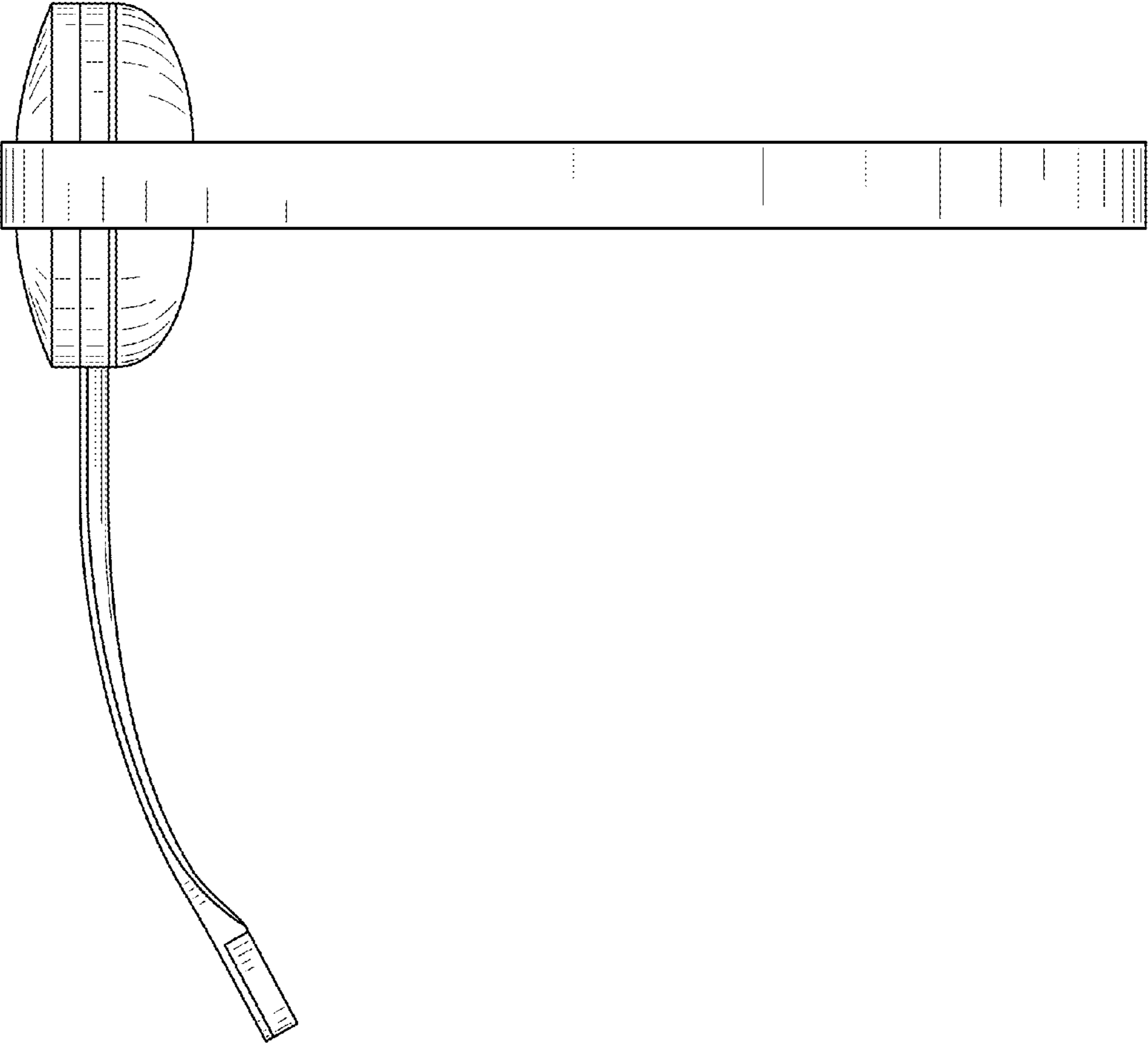


FIG. 6

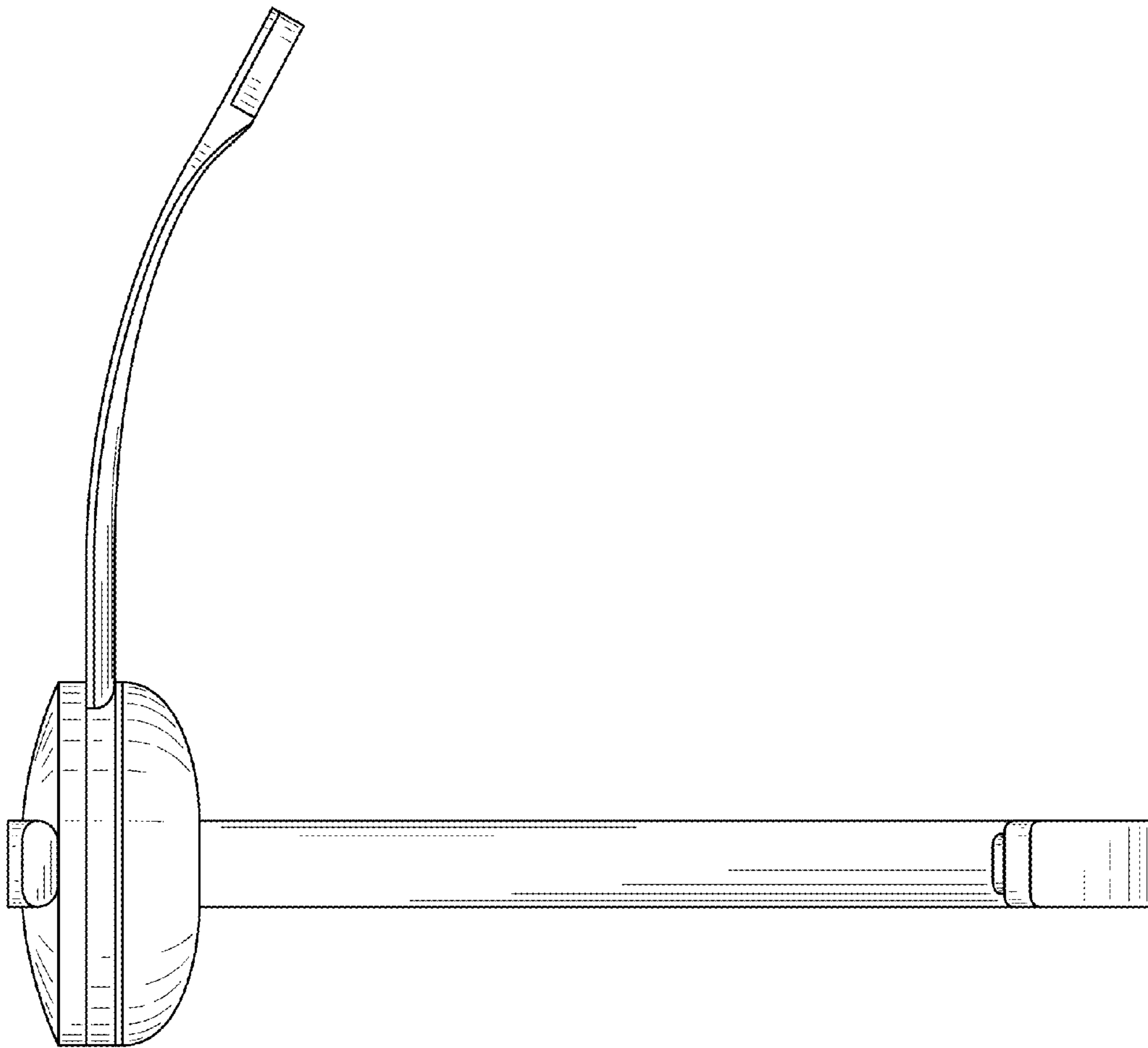


FIG. 7

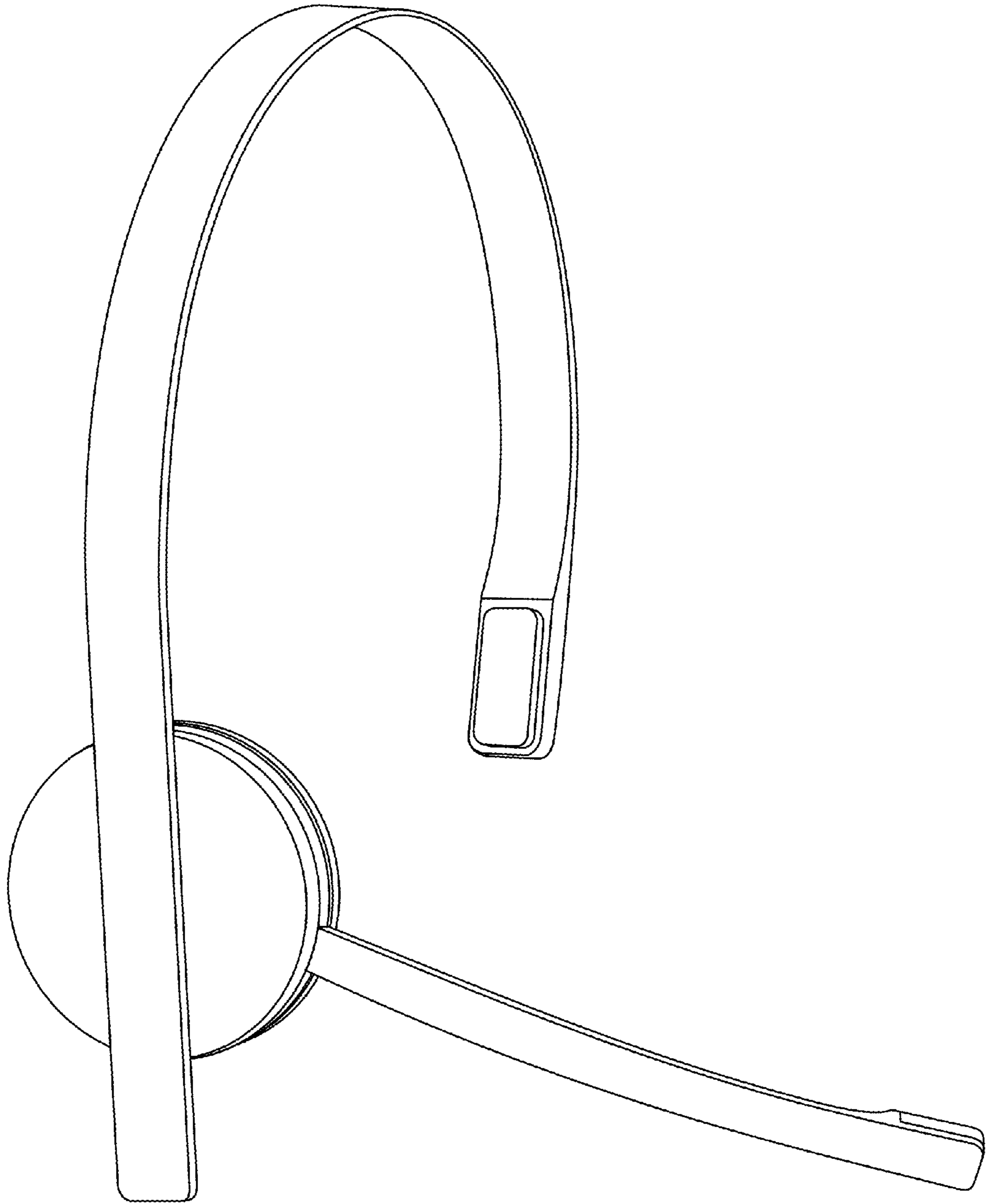


FIG. 8

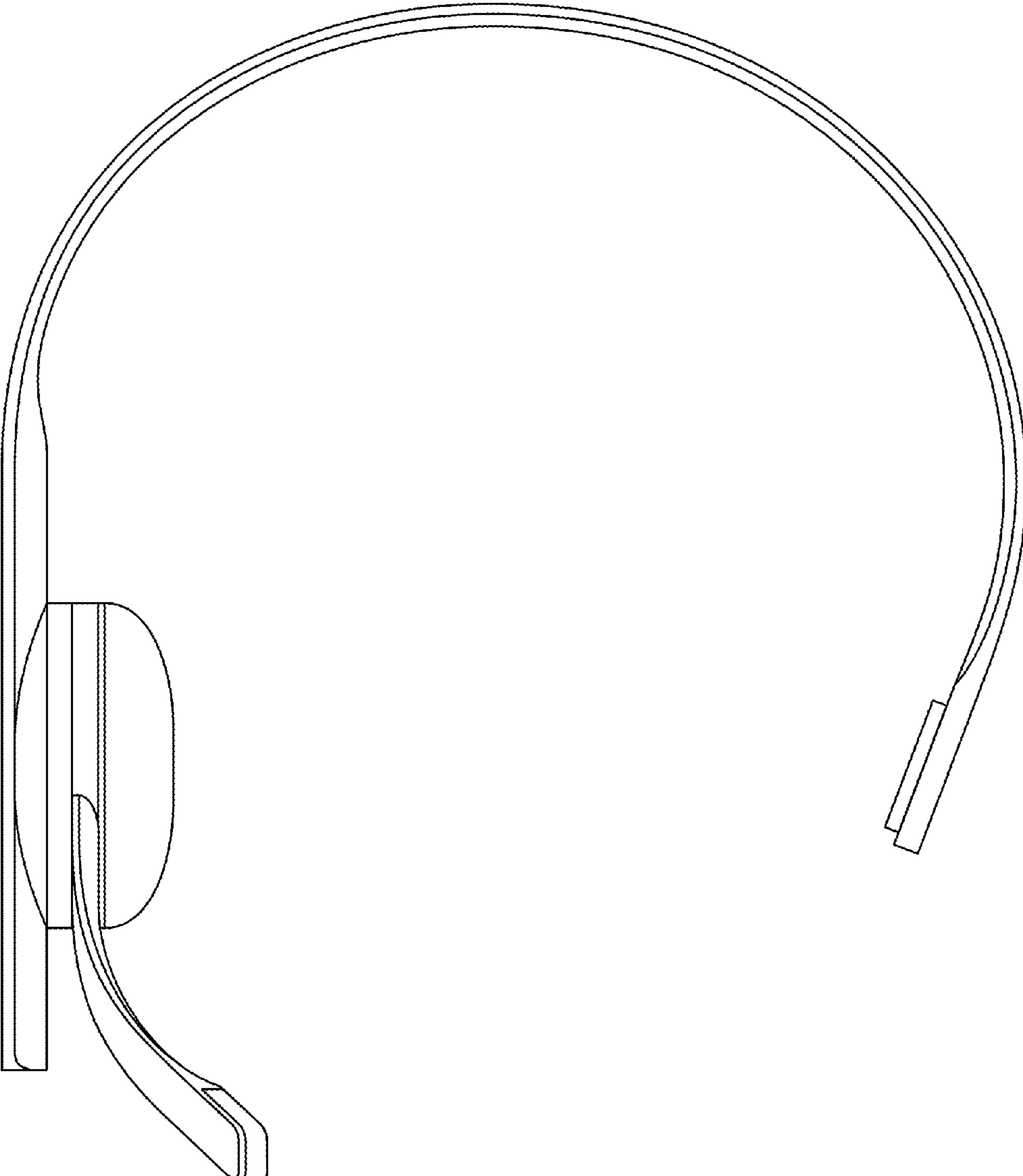


FIG. 9

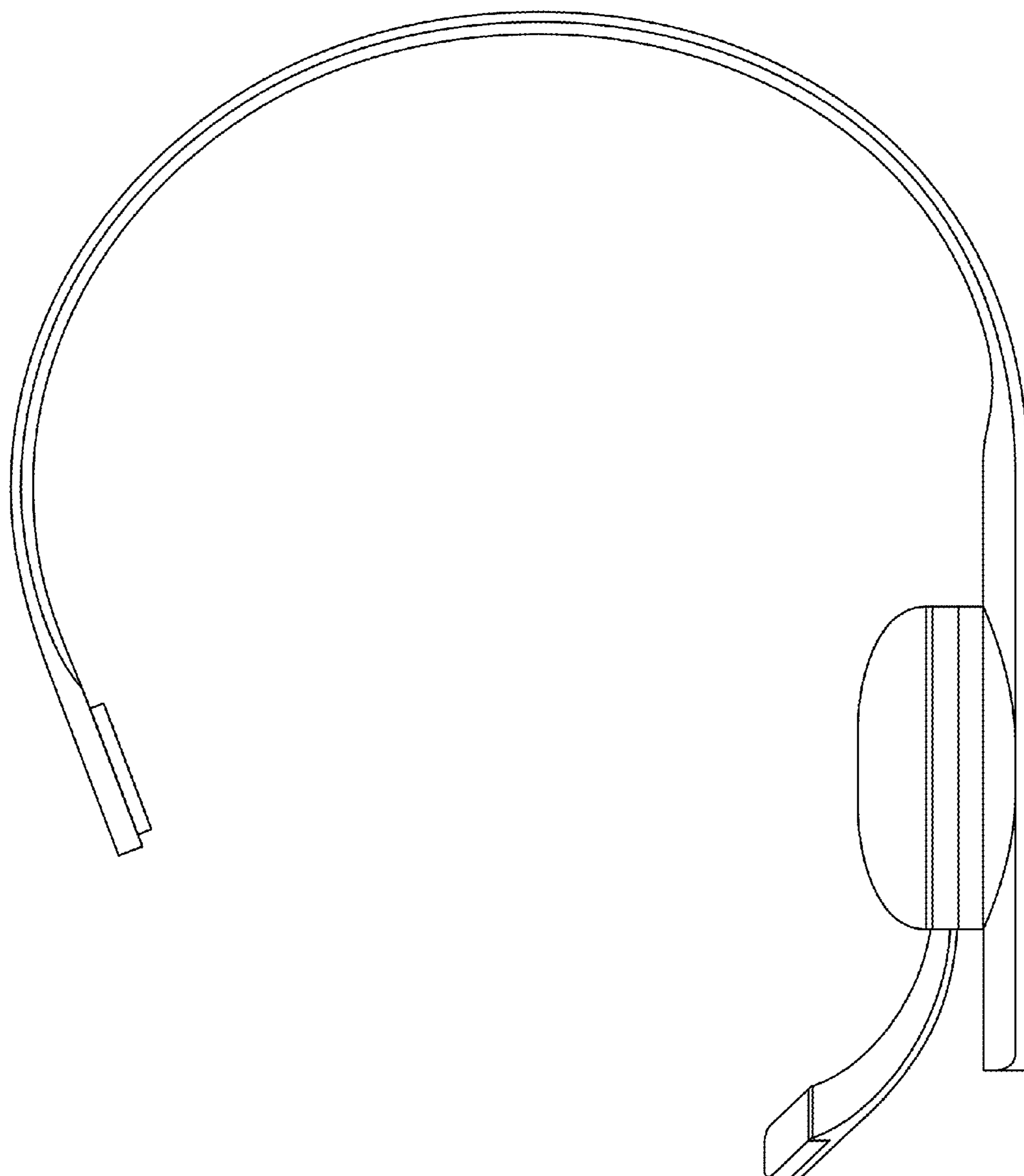


FIG. 10

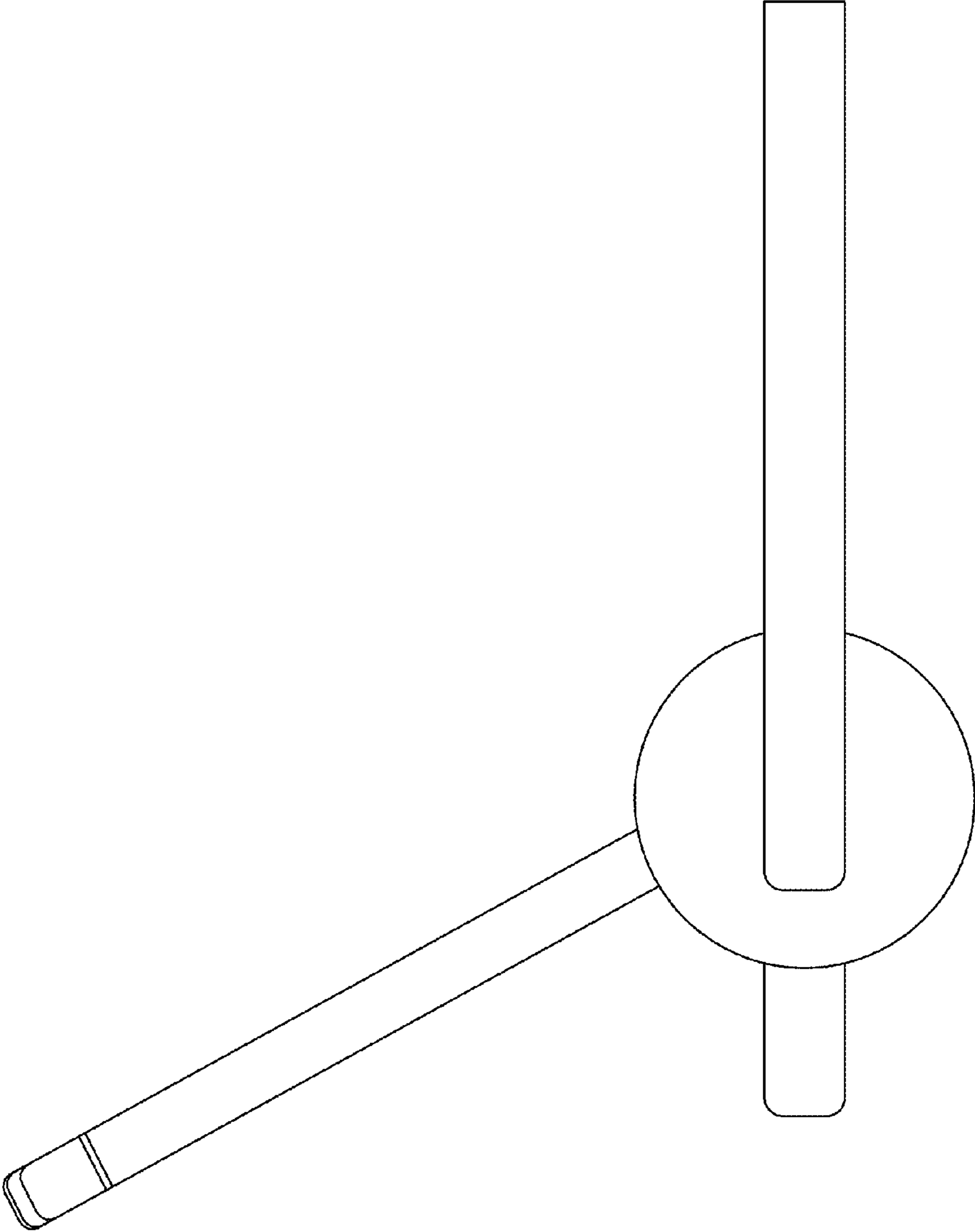


FIG. 11

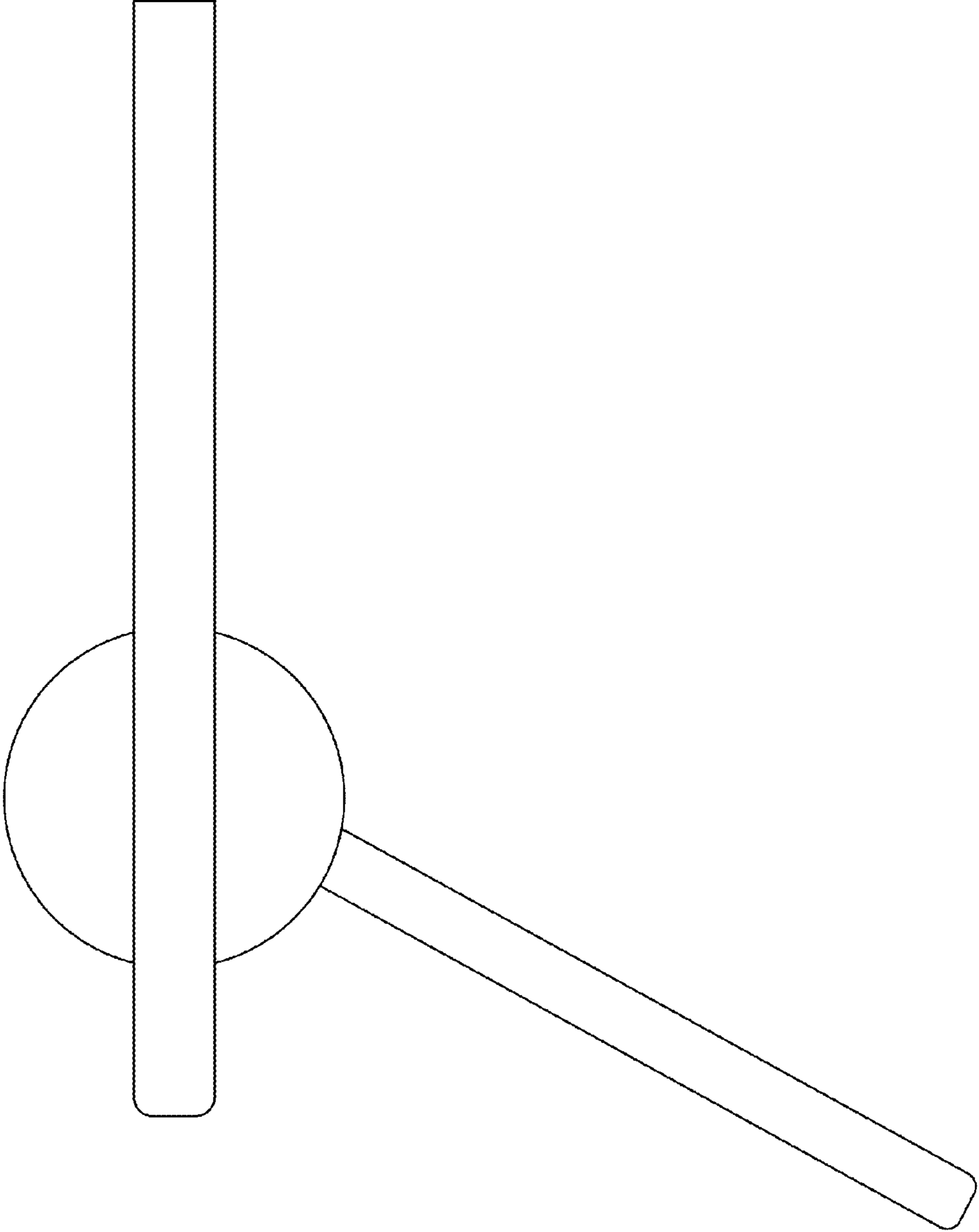


FIG. 12

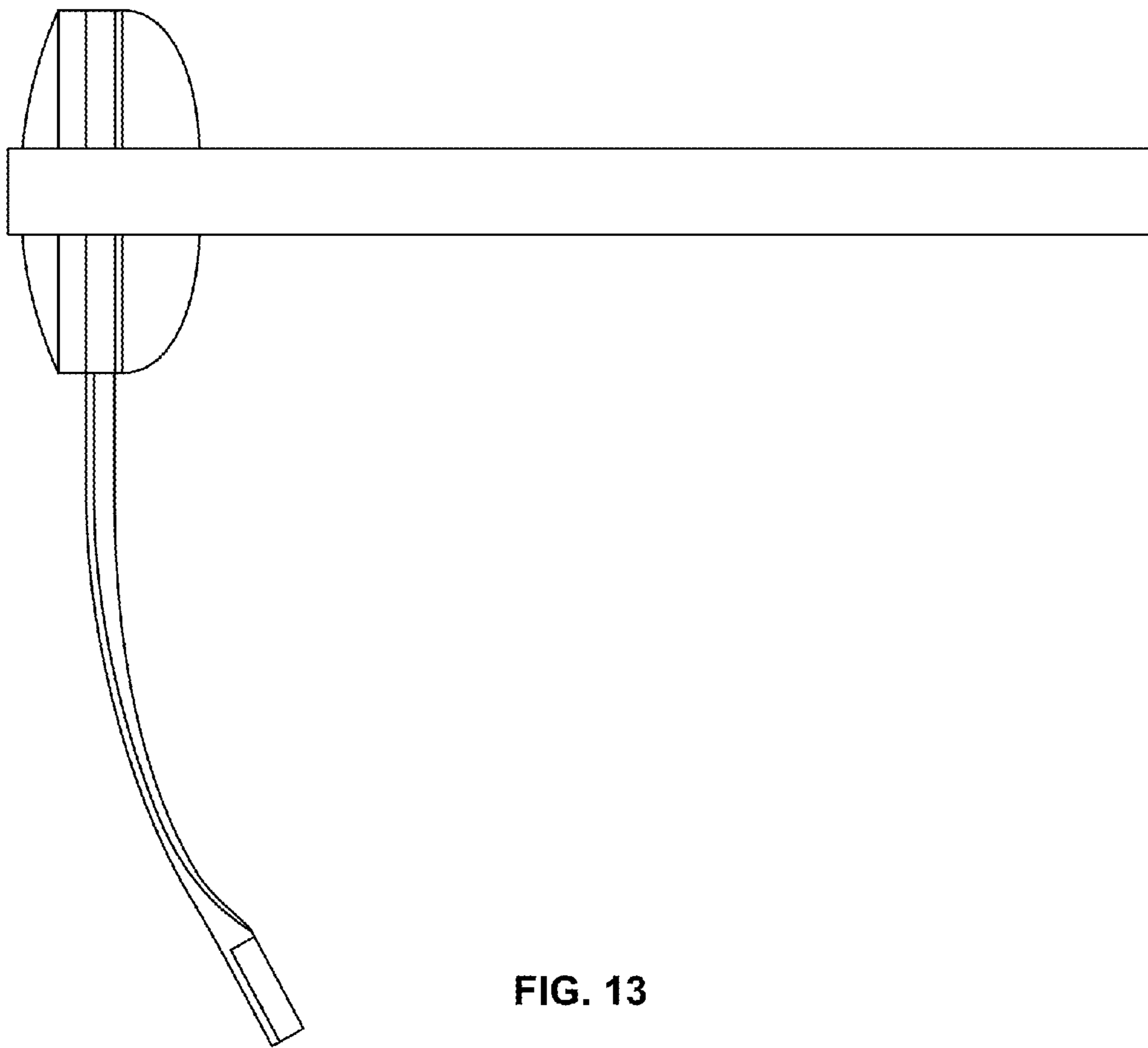


FIG. 13

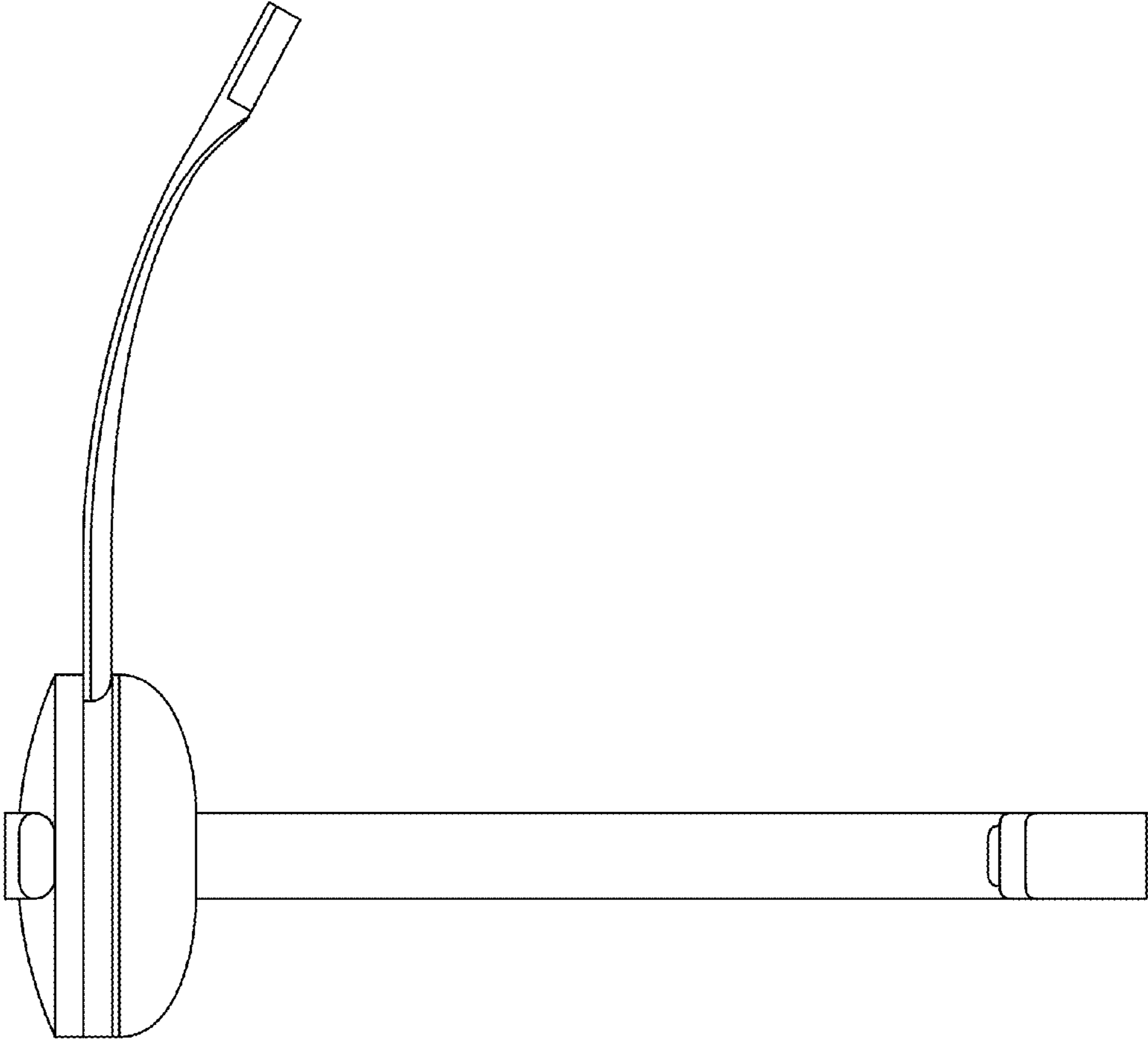


FIG. 14