



US00D707654S

(12) **United States Design Patent**
Nguyen et al.

(10) **Patent No.:** **US D707,654 S**
(45) **Date of Patent:** **** *Jun. 24, 2014**

(54) **HEADSET**

(71) Applicant: **Skullcandy, Inc.**, Park City, UT (US)

(72) Inventors: **Anh Nguyen**, San Mateo, CA (US);
Dana Krieger, Albany, CA (US);
Nathaniel G. Cervantes, San Francisco,
CA (US); **Adam Barry**, San Francisco,
CA (US)

(73) Assignee: **Skullcandy, Inc.**, Park City, UT (US)

(*) Notice: This patent is subject to a terminal disclaimer.

(**) Term: **14 Years**

(21) Appl. No.: **29/464,273**

(22) Filed: **Aug. 14, 2013**

Related U.S. Application Data

(63) Continuation of application No. 29/430,208, filed on Aug. 22, 2012, now Pat. No. Des. 691,582.

(51) **LOC (10) Cl.** **14-01**

(52) **U.S. Cl.**
CPC **H04S 1/005** (2013.01)
USPC **D14/205**

(58) **Field of Classification Search**
CPC H04S 1/005
USPC D14/205, 206; 181/129, 130, 135;
379/430, 431, 428.01; 381/380, 381,
381/370, 371, 378, 375; D29/112; 2/205;
455/90.3, 575.1
See application file for complete search history.

(56) **References Cited**

U.S. PATENT DOCUMENTS

D223,256 S * 4/1972 Thomson D14/205
D223,927 S * 6/1972 Patton, Jr. D14/205

3,811,382 A 5/1974 Buchter et al.
D237,307 S 10/1975 Miyamoto
D254,616 S * 4/1980 Tabata D14/205
D319,241 S 8/1991 Daido et al.
D322,071 S * 12/1991 Bergin et al. D14/206
D331,059 S 11/1992 Sogabe et al.
D340,033 S 10/1993 Okumura et al.
D342,947 S * 1/1994 Totsuka D14/192
D351,172 S 10/1994 Nakamura et al.
D352,036 S 11/1994 Sekita
D353,817 S 12/1994 Wada
D357,477 S 4/1995 Mueller et al.
5,519,783 A * 5/1996 Kumar 381/370

(Continued)

Primary Examiner — Paula Greene

(74) Attorney, Agent, or Firm — TraskBritt

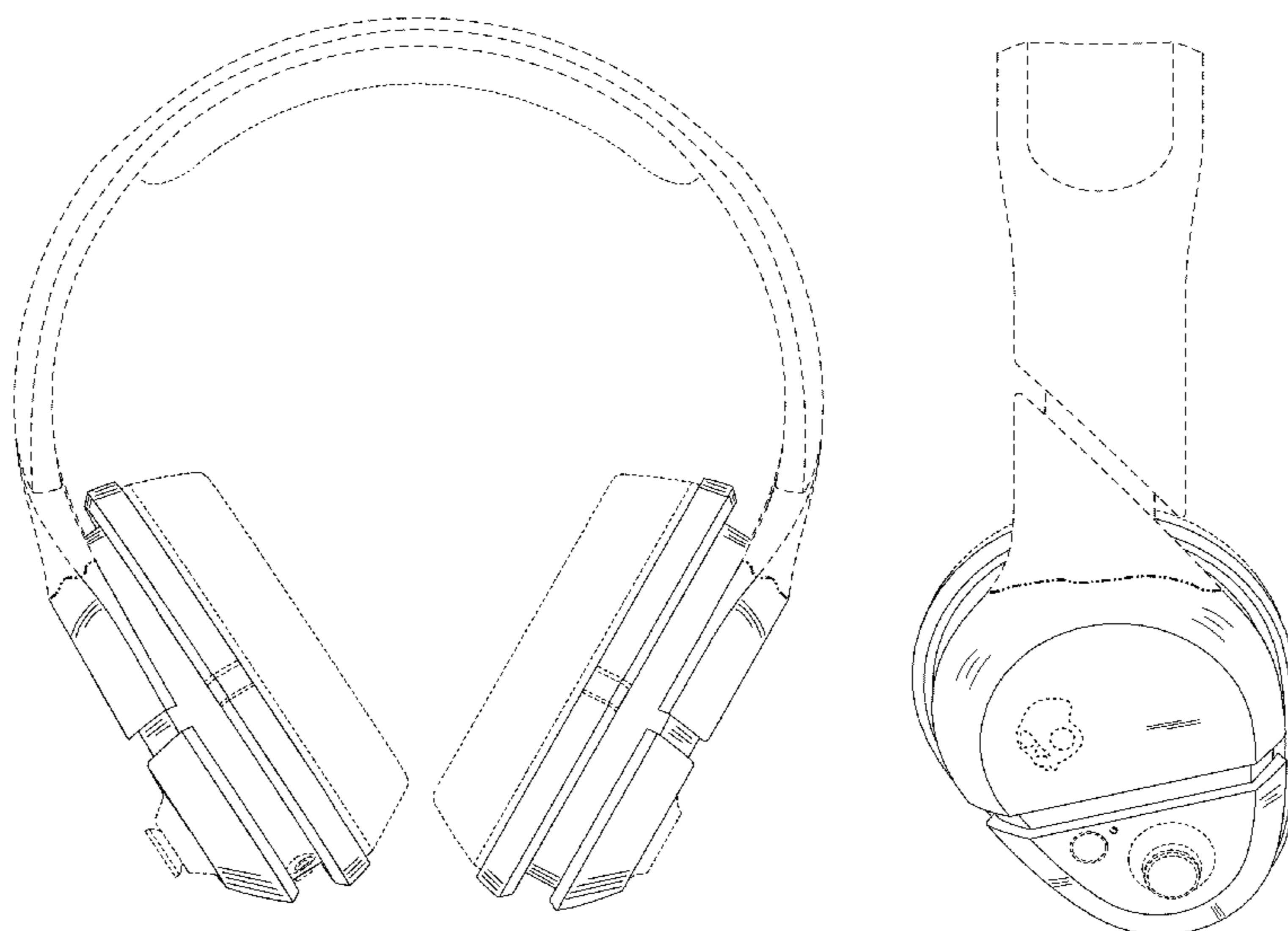
(57) **CLAIM**

The ornamental design for a headset, as shown and described.

DESCRIPTION

FIG. 1 is a front view of an embodiment of a headset;
FIG. 2 is a rear view of the headset shown in FIG. 1;
FIG. 3 is a right side view of the headset shown in FIG. 1;
FIG. 4 is a left side view of the headset shown in FIG. 1;
FIG. 5 is a top view of the headset shown in FIG. 1;
FIG. 6 is a bottom view of the headset shown in FIG. 1; and,
FIG. 7 is a perspective view of the headset shown in FIG. 1.
The uneven broken line immediately adjacent to the shaded area represents the bounds of the claimed design. All other uneven broken lines represent the remaining portion of the headset. The broken lines in FIGS. 1 through 7 are for environmental purposes only and do not form any part of the claimed design.

1 Claim, 7 Drawing Sheets



(56)

References Cited

U.S. PATENT DOCUMENTS

D377,174 S *	1/1997	Runquist	D14/206	D613,266 S	4/2010	Barry et al.	
D386,181 S	11/1997	Fisher		D623,627 S	9/2010	Alden et al.	
D411,200 S *	6/1999	Almqvist	D14/192	D641,725 S	7/2011	Chong et al.	
D459,033 S *	6/2002	Dix et al.	D29/112	D641,727 S *	7/2011	Krauss et al.	D14/206
6,560,346 B2	5/2003	Ohta et al.		D644,625 S	9/2011	Iseki	
D491,163 S *	6/2004	Green	D14/205	D648,318 S	11/2011	Huang	
D505,413 S	5/2005	Skulley et al.		D649,528 S	11/2011	Park	
D510,335 S *	10/2005	Suzuki	D14/205	D652,017 S	1/2012	Groves et al.	
D514,087 S *	1/2006	Wilson et al.	D14/206	D654,472 S	2/2012	Fischer	
D517,528 S	3/2006	Skulley		8,139,807 B2 *	3/2012	Reiss et al.	381/375
D518,479 S	4/2006	Skulley		D662,080 S *	6/2012	Carr et al.	D14/205
D520,492 S *	5/2006	Chen	D14/205	D666,168 S	8/2012	Rath	
D531,165 S	10/2006	Rath		8,335,335 B2 *	12/2012	Reiss et al.	381/375
D540,303 S	4/2007	Rausch et al.		D674,372 S	1/2013	Kelly et al.	
D540,778 S	4/2007	Thompson et al.		D674,767 S	1/2013	Brunner et al.	
D541,255 S *	4/2007	Taylor et al.	D14/205	D677,648 S	3/2013	Lee et al.	
D584,715 S *	1/2009	Brennwald	D14/205	D680,516 S	4/2013	Lee	
D597,072 S	7/2009	Asai		D685,759 S *	7/2013	Kelly et al.	D14/205
				D691,582 S *	10/2013	Nguyen et al.	D14/205
				2009/0010474 A1 *	1/2009	Ouryouji	381/370

* cited by examiner

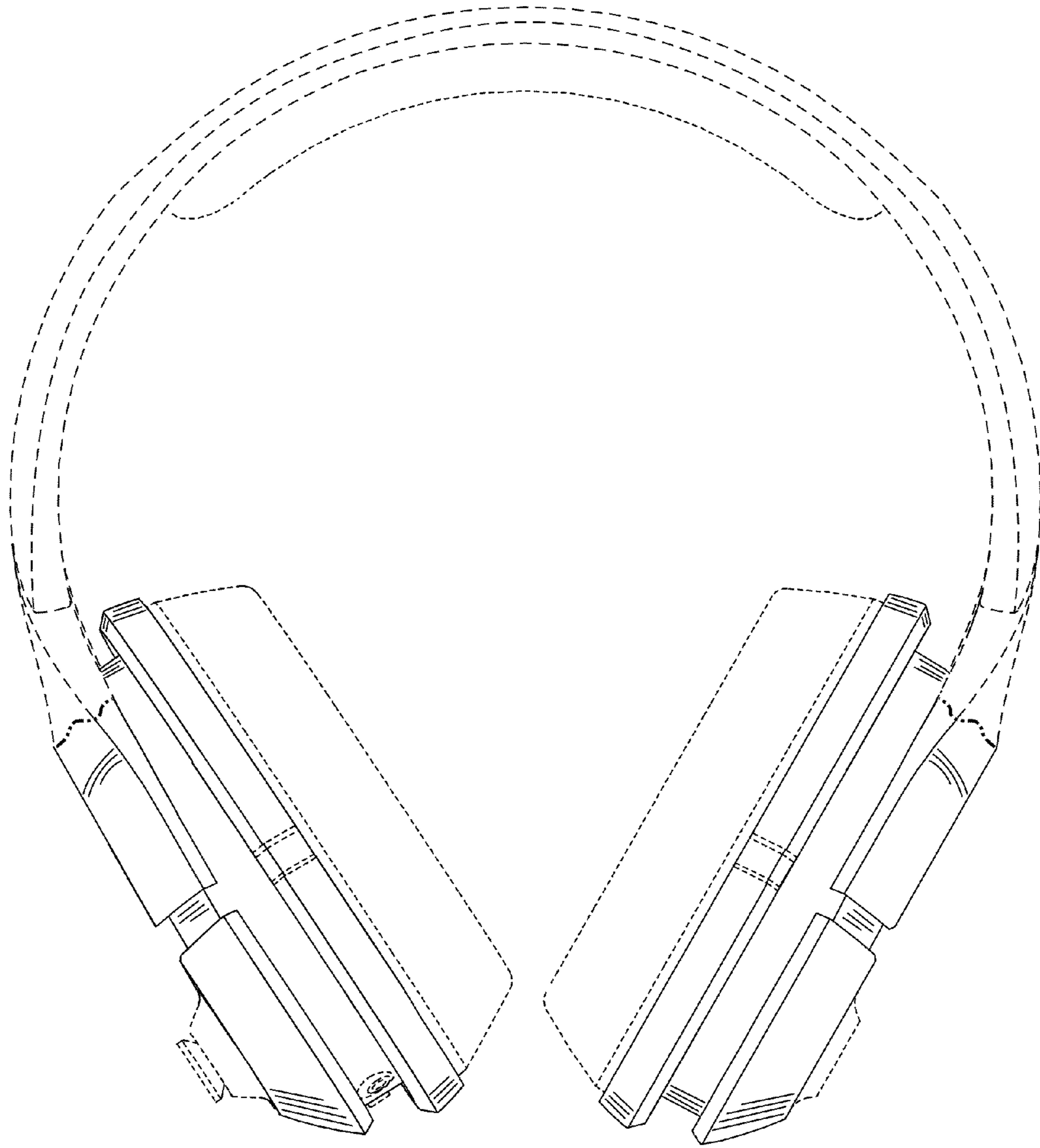


FIG. 1

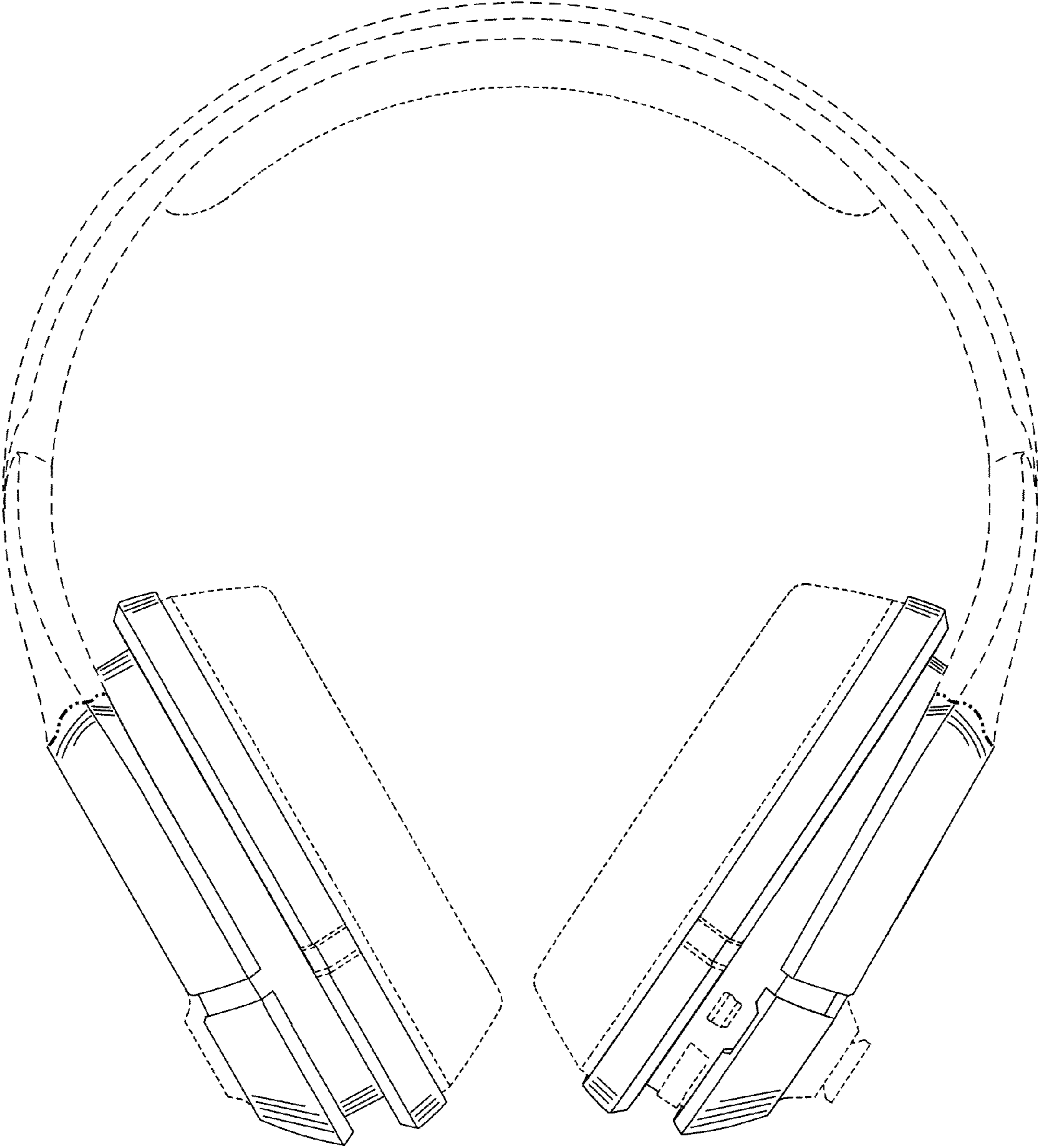


FIG. 2

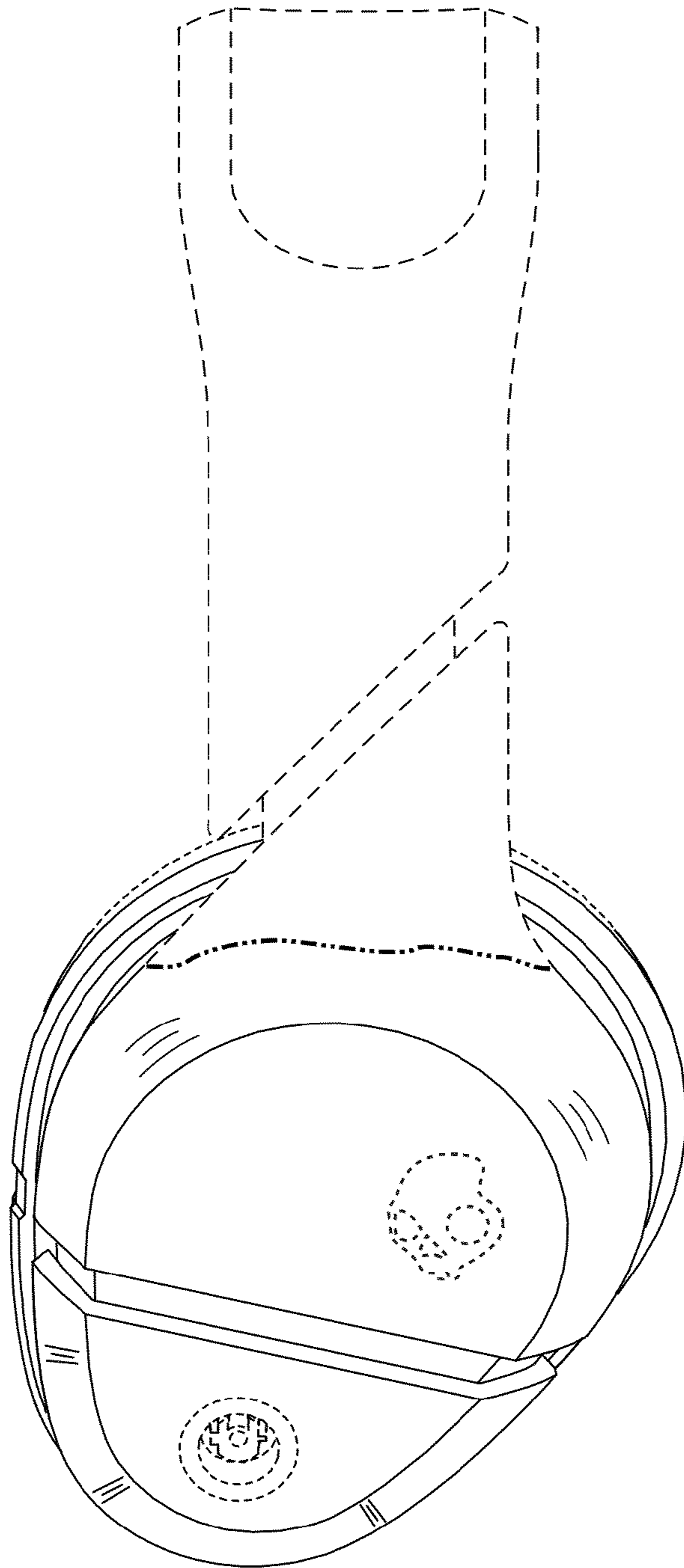


FIG. 3

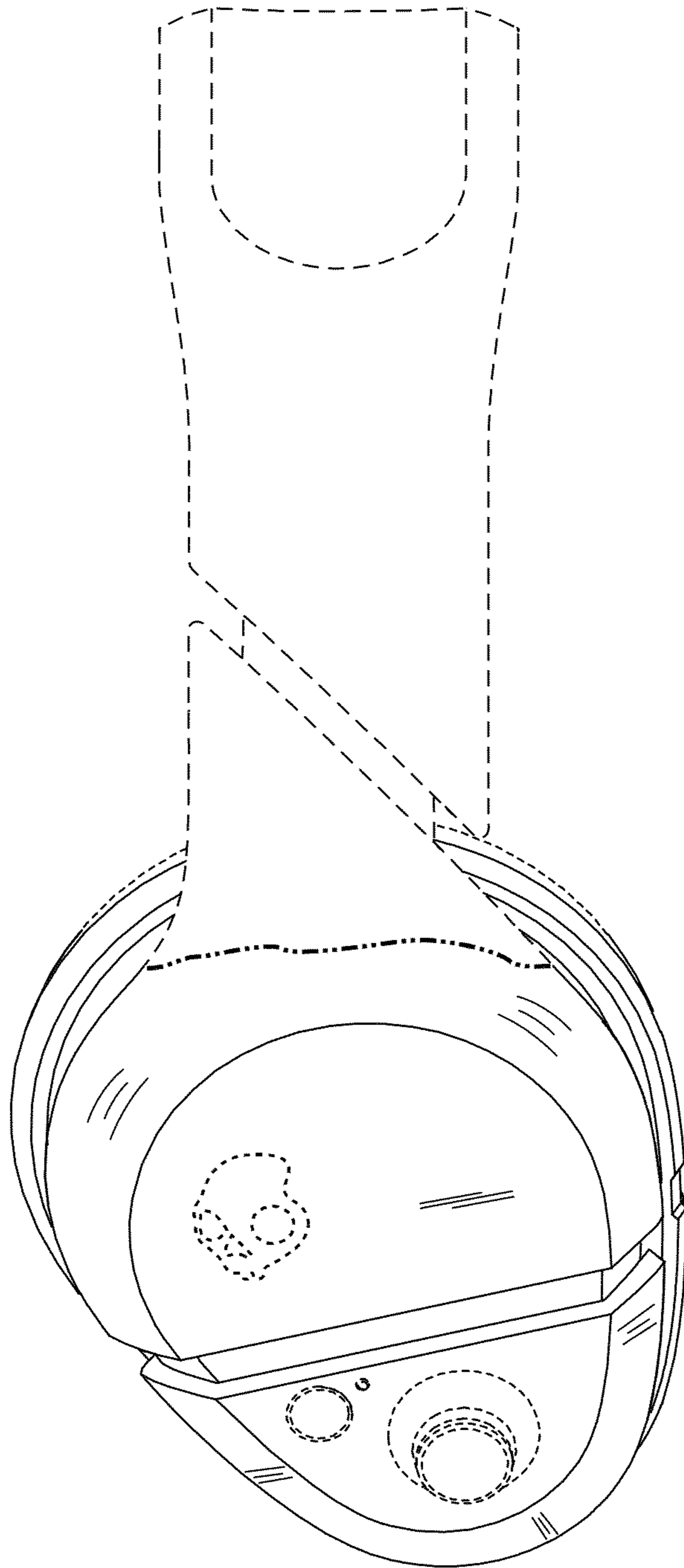


FIG. 4

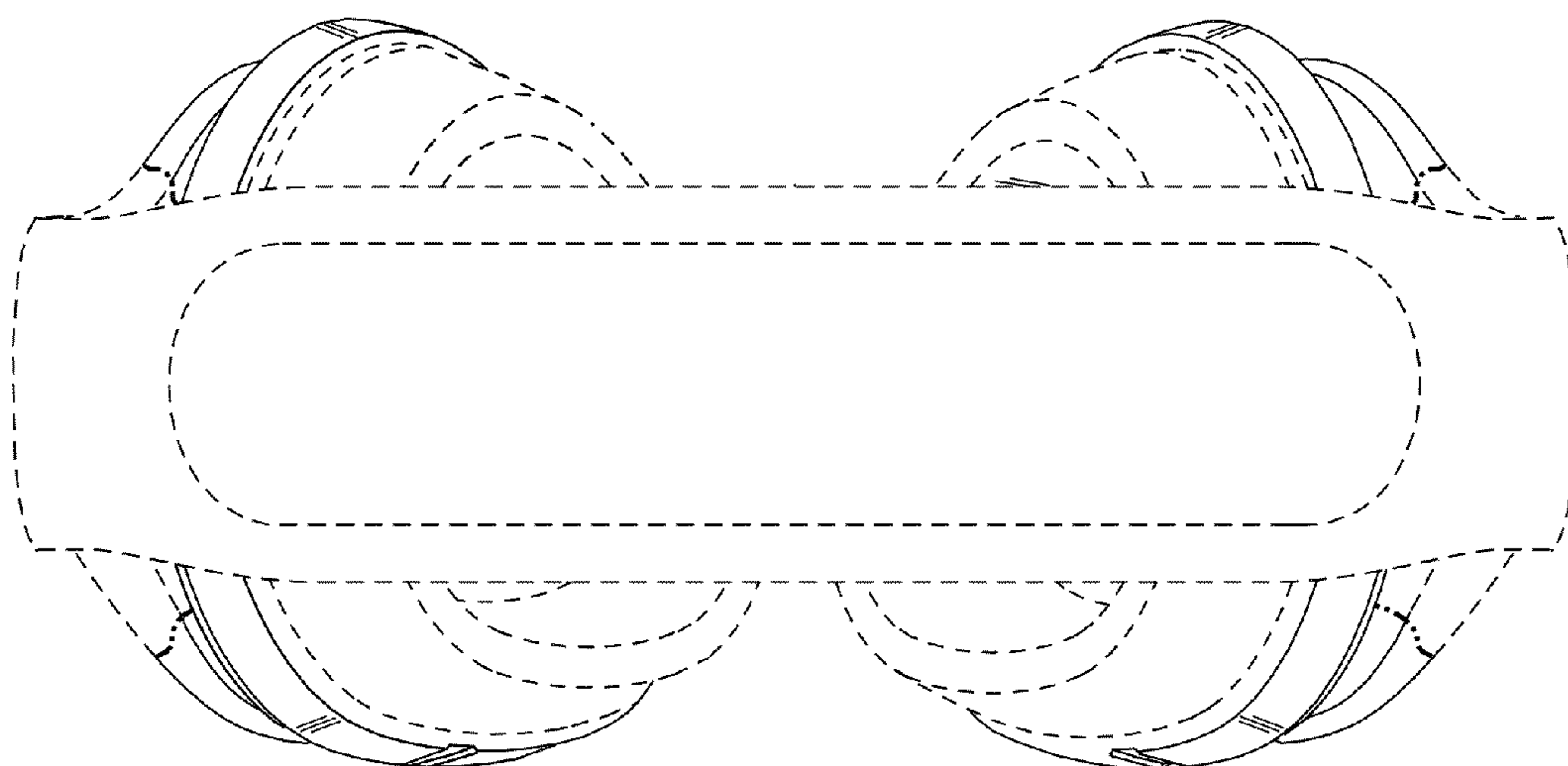


FIG. 5

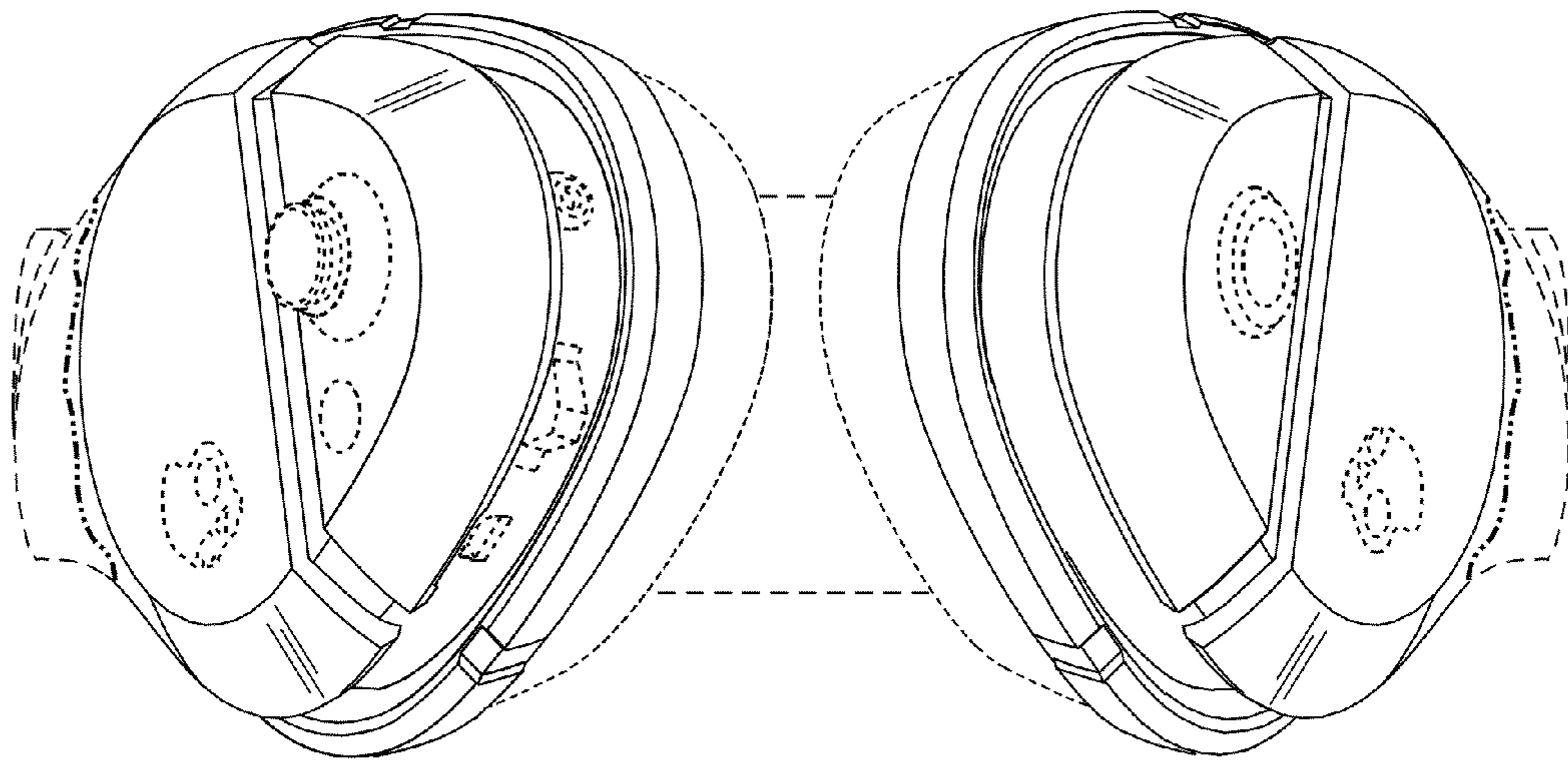


FIG. 6

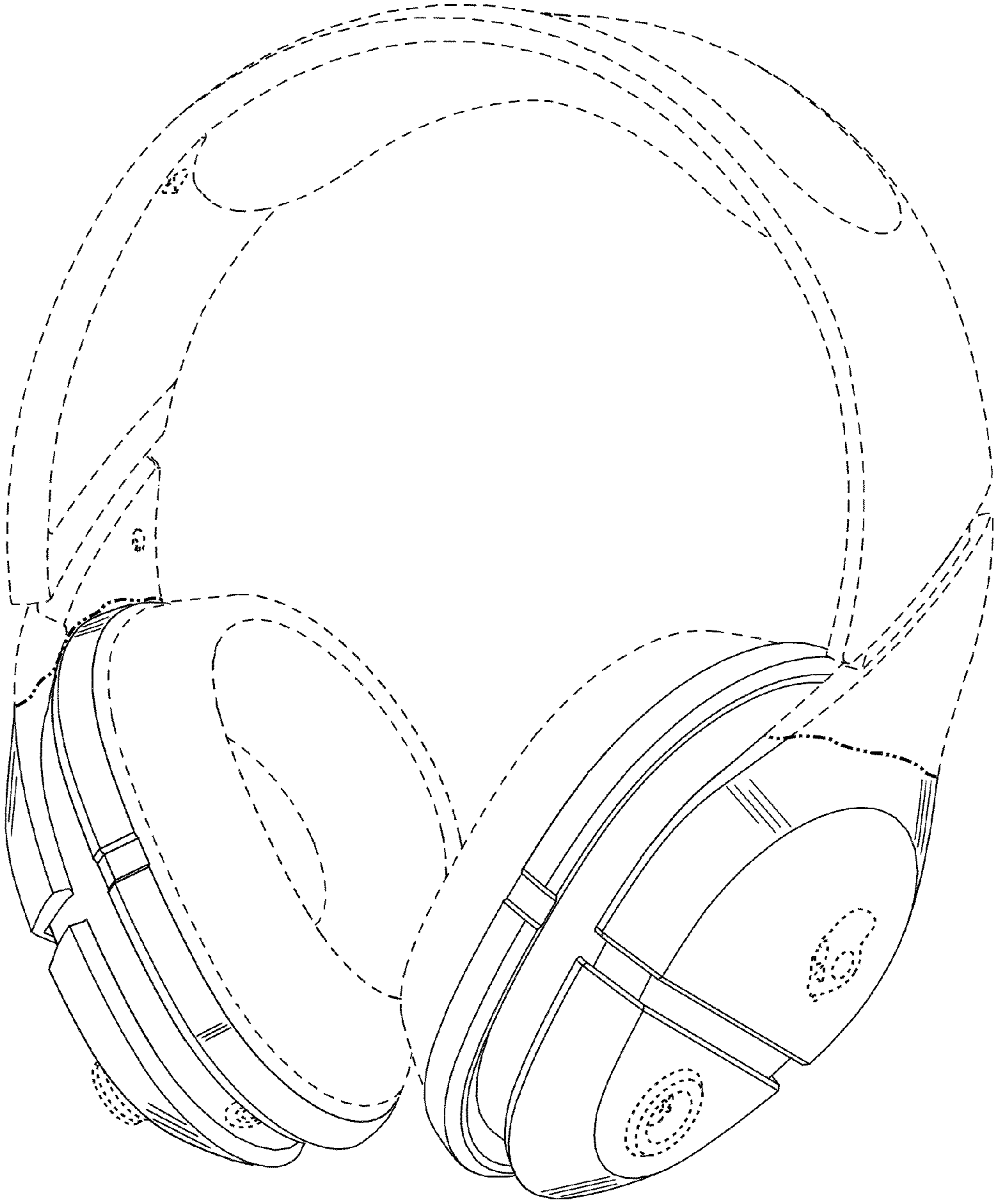


FIG. 7