



US00D707653S

(12) **United States Design Patent**
Hardi

(10) **Patent No.:** **US D707,653 S**
(45) **Date of Patent:** **** Jun. 24, 2014**

(54) **HEADPHONE**

(71) Applicant: **Jason Hardi**, Miami Beach, FL (US)

(72) Inventor: **Jason Hardi**, Miami Beach, FL (US)

(73) Assignee: **Muzik LLC**, Miami Beach, FL (US)

(**) Term: **14 Years**

(21) Appl. No.: **29/445,227**

(22) Filed: **Feb. 8, 2013**

(51) **LOC (10) Cl.** **14-01**

(52) **U.S. Cl.**

CPC **H04R 1/10** (2013.01)

USPC **D14/205**

(58) **Field of Classification Search**

CPC H04R 1/10; H04R 25/00; H04S 1/005

USPC D14/205, 206, 223; D29/112; 2/209;

181/129, 130, 135; 379/430, 431;

455/90.3, 575.1

See application file for complete search history.

(56) **References Cited**

U.S. PATENT DOCUMENTS

D297,324 S *	8/1988	Kohno	D14/205
D316,861 S *	5/1991	Yoda et al.	D14/205
D318,669 S *	7/1991	Nakayama	D14/205
D323,167 S *	1/1992	Yamazaki et al.	D14/205
D338,010 S *	8/1993	Yamatogi	D14/205
D373,360 S *	9/1996	Kanno	D14/205
D375,312 S *	11/1996	Kanno	D14/205
D377,021 S *	12/1996	Isono	D14/205
D379,817 S *	6/1997	Lin	D14/223
D399,206 S *	10/1998	Yasutomi et al.	D14/205
D402,659 S *	12/1998	Suzuki	D14/215
6,195,441 B1 *	2/2001	Ito	381/381
D444,140 S *	6/2001	Ishibashi	D14/192
D457,874 S *	5/2002	Yoneda	D14/205
6,385,325 B1 *	5/2002	Nageno et al.	381/374
D471,176 S *	3/2003	Suzuki	D14/205
D484,485 S *	12/2003	Matsuoka	D14/205
D502,938 S *	3/2005	Tokioka et al.	D14/205

(Continued)

Primary Examiner — Paula Greene

(74) Attorney, Agent, or Firm — Fish & Richardson P.C.

(57) **CLAIM**

The ornamental design for a headphone, as shown and described.

DESCRIPTION

FIG. 1 is a perspective view of a headphone showing my new design, the opposite front face of the earphone is a mirror image.

FIG. 2 is a back view of an implementation of the invention. FIG. 3 is a front view of an implementation of the present invention.

FIG. 4 is a right view of an implementation of the present invention.

FIG. 5 is a left view of an implementation of the present invention.

FIG. 6 is a top view of an implementation of the present invention.

FIG. 7 is a bottom view of an implementation of the present invention.

FIG. 8 is a perspective view of a headphone showing my new design, the opposite front face of the earphone is a mirror image.

FIG. 9 is a back view of an alternate implementation of the invention.

FIG. 10 is a front view of an alternate implementation of the present invention.

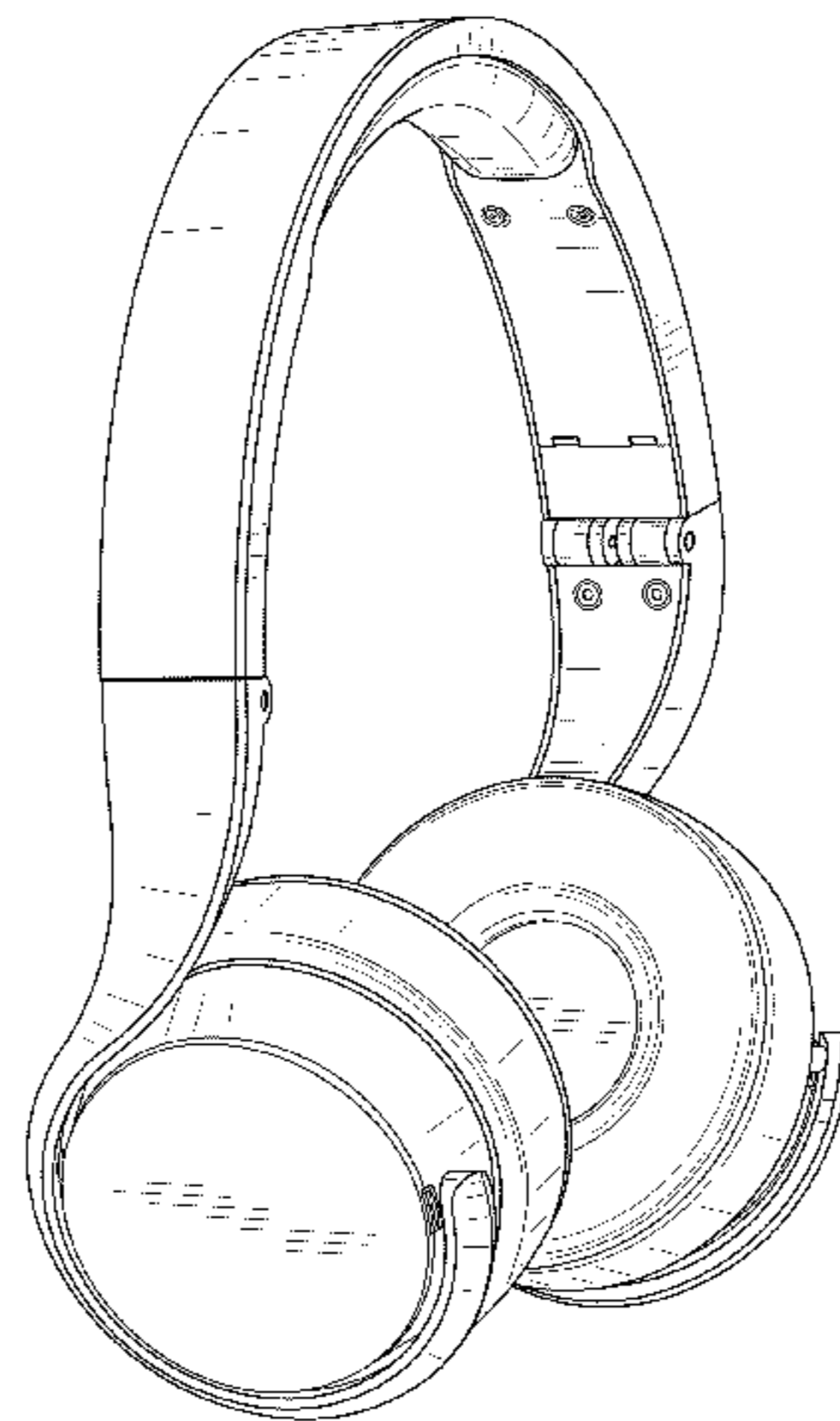
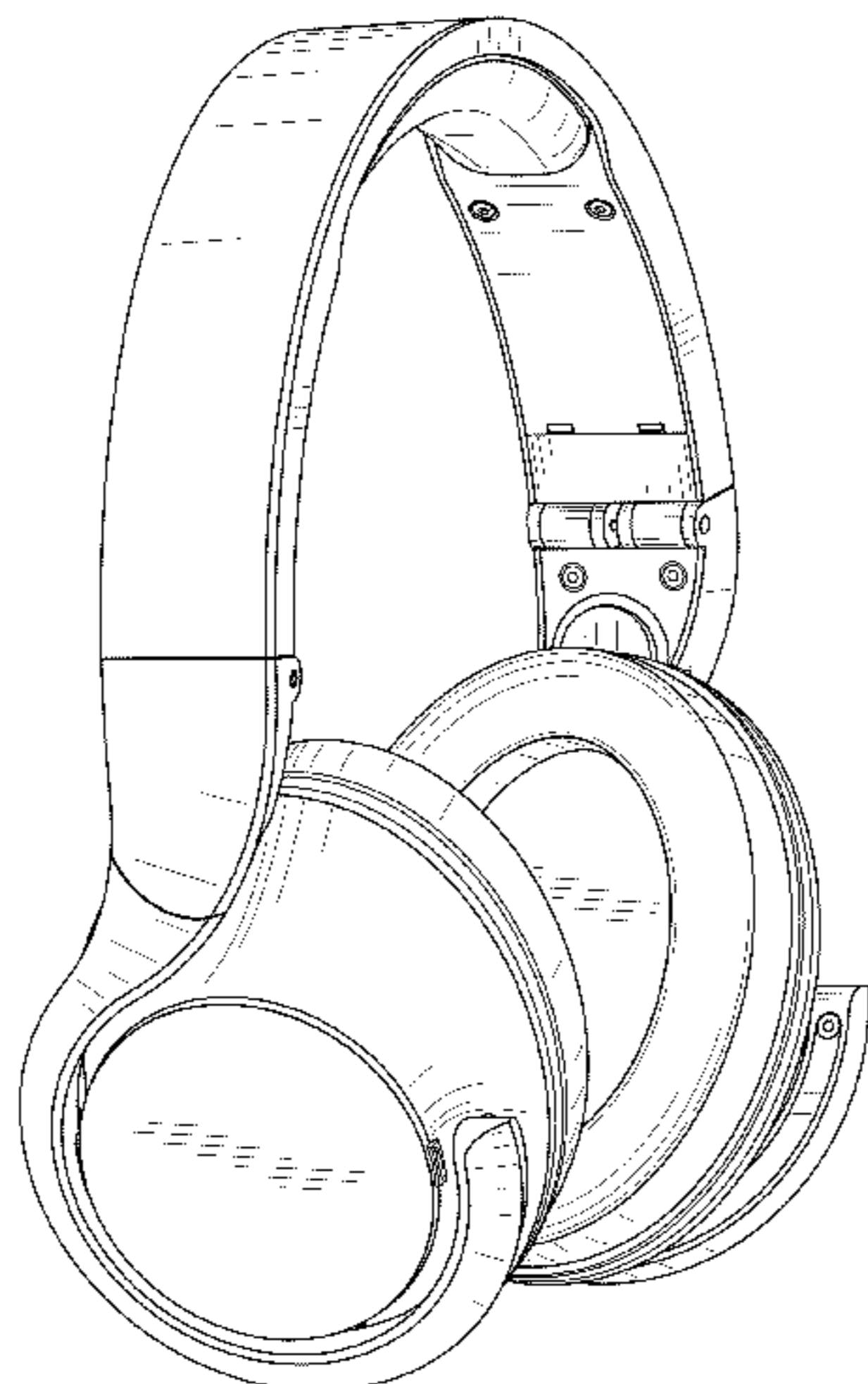
FIG. 11 is a right view of an alternate implementation of the present invention.

FIG. 12 is a left view of an alternate implementation of the present invention.

FIG. 13 is a top view of an alternate implementation of the present invention; and,

FIG. 14 is a bottom view of an alternate implementation of the present invention.

1 Claim, 10 Drawing Sheets



(56)

References Cited

U.S. PATENT DOCUMENTS

D504,883 S *	5/2005	Jacobson et al.	D14/192	D625,705 S *	10/2010	Ohori et al.	D14/205
D508,908 S *	8/2005	Chueh	D14/205	D634,732 S *	3/2011	Kondo et al.	D14/205
D512,983 S *	12/2005	Tachikawa	D14/205	8,098,872 B2 *	1/2012	Chang	381/371
7,072,483 B2 *	7/2006	Lenhard-Backhaus	381/383	D663,716 S *	7/2012	Hardi et al.	D14/205
D540,302 S *	4/2007	Hagiwara et al.	D14/205	D673,136 S *	12/2012	Kelly et al.	D14/205
D540,303 S *	4/2007	Rausch et al.	D14/205	8,325,962 B2 *	12/2012	Ishida et al.	381/370
D544,464 S *	6/2007	Lee	D14/205	D673,520 S *	1/2013	Tan	D14/205
D557,684 S *	12/2007	Pundsack et al.	D14/205	D675,595 S *	2/2013	Cho et al.	D14/205
D573,581 S *	7/2008	Gondo et al.	D14/205	D683,329 S *	5/2013	Hagelin	D14/205
D592,640 S *	5/2009	Tkachuk	D14/205	D684,141 S *	6/2013	Takamoto	D14/205
D594,847 S *	6/2009	Suzuki	D14/205	D689,463 S *	9/2013	Hardi et al.	D14/205
7,580,539 B2 *	8/2009	Tachikawa	381/374	D691,109 S *	10/2013	Hardi et al.	D14/205
D605,171 S *	12/2009	Gal	D14/205	2007/0165899 A1 *	7/2007	Garin	381/377
				2008/0069391 A1 *	3/2008	Steyn et al.	381/371
				2009/0103762 A1 *	4/2009	Ishida et al.	381/378

* cited by examiner

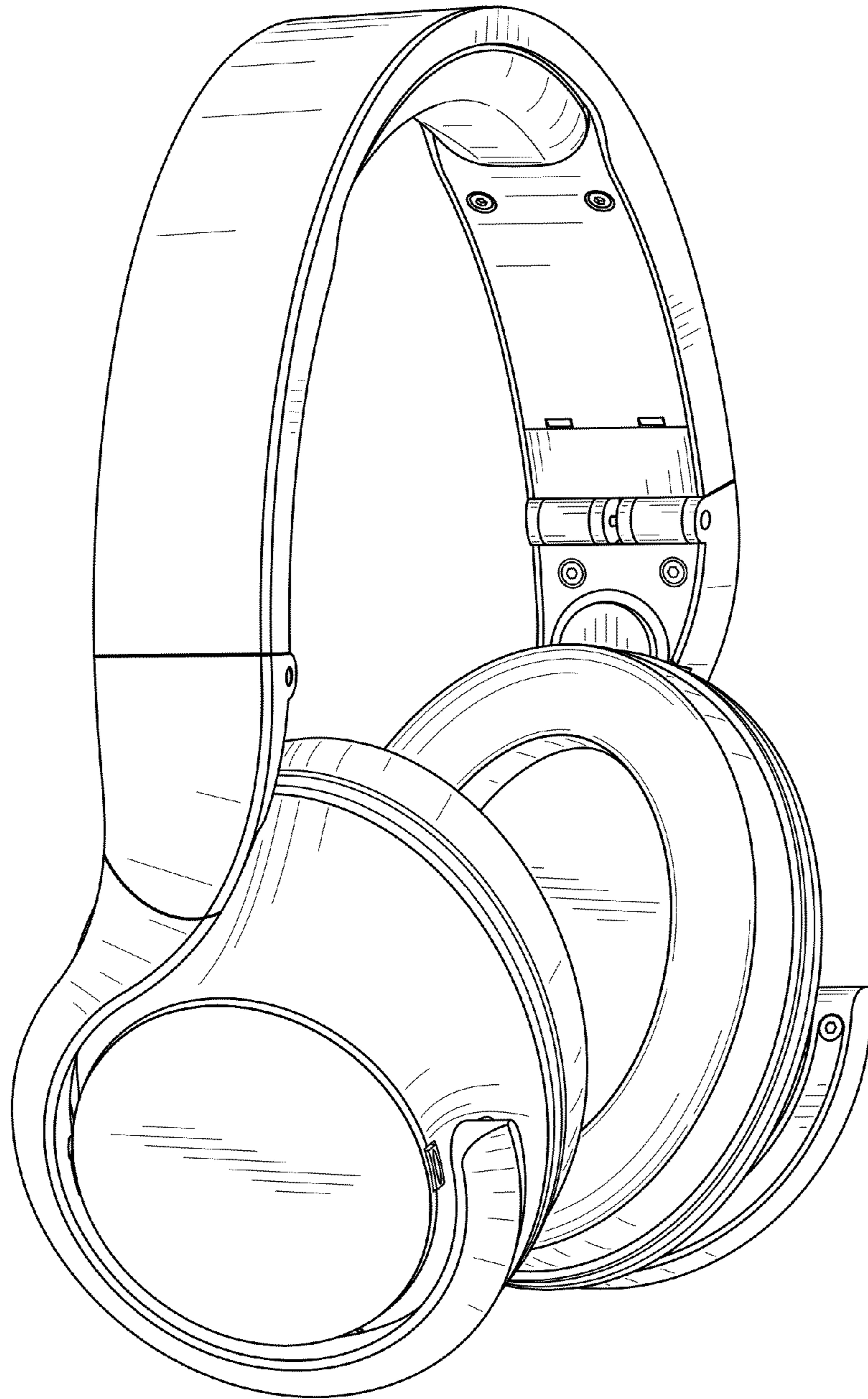


FIG. 1

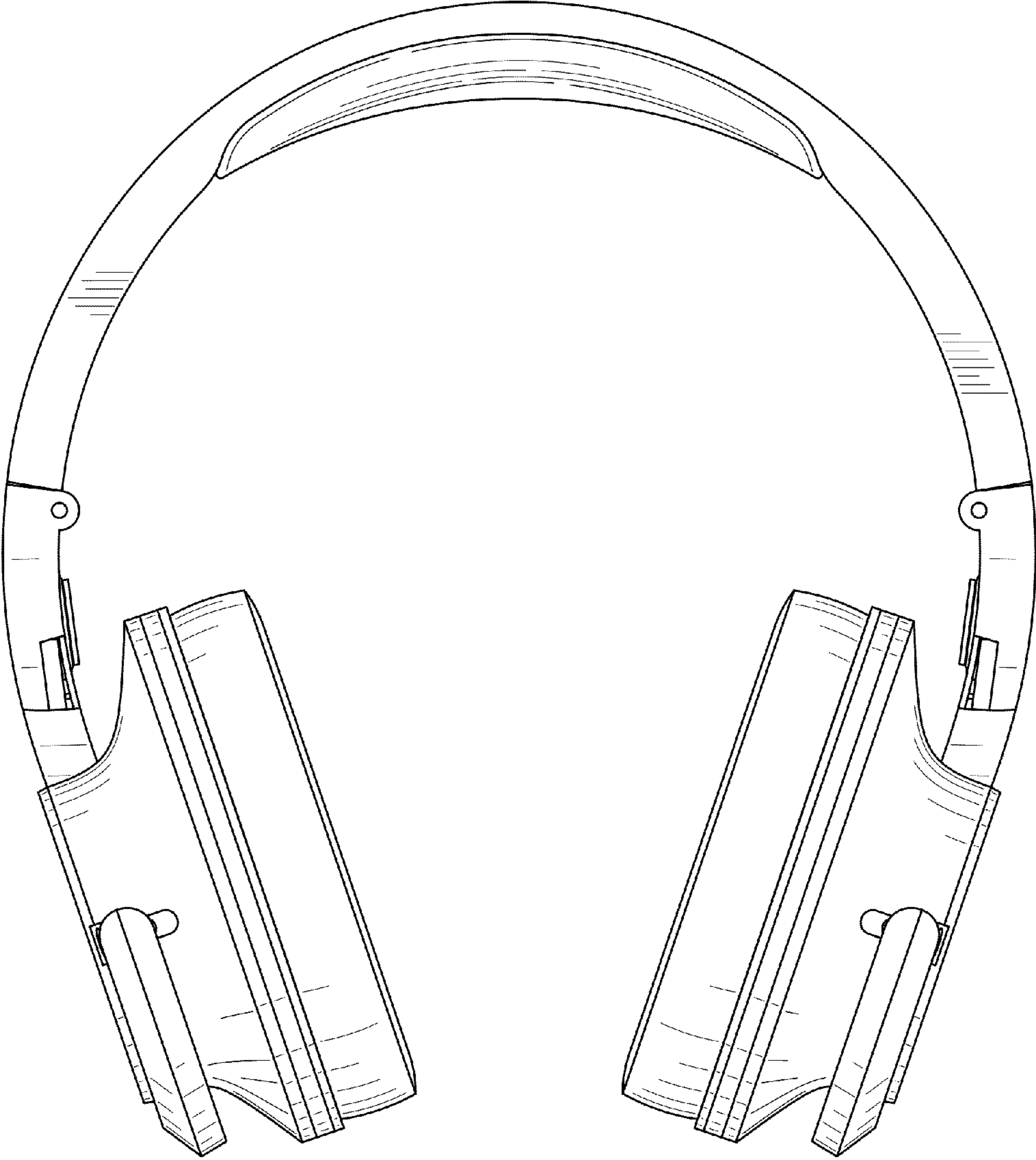


FIG. 2

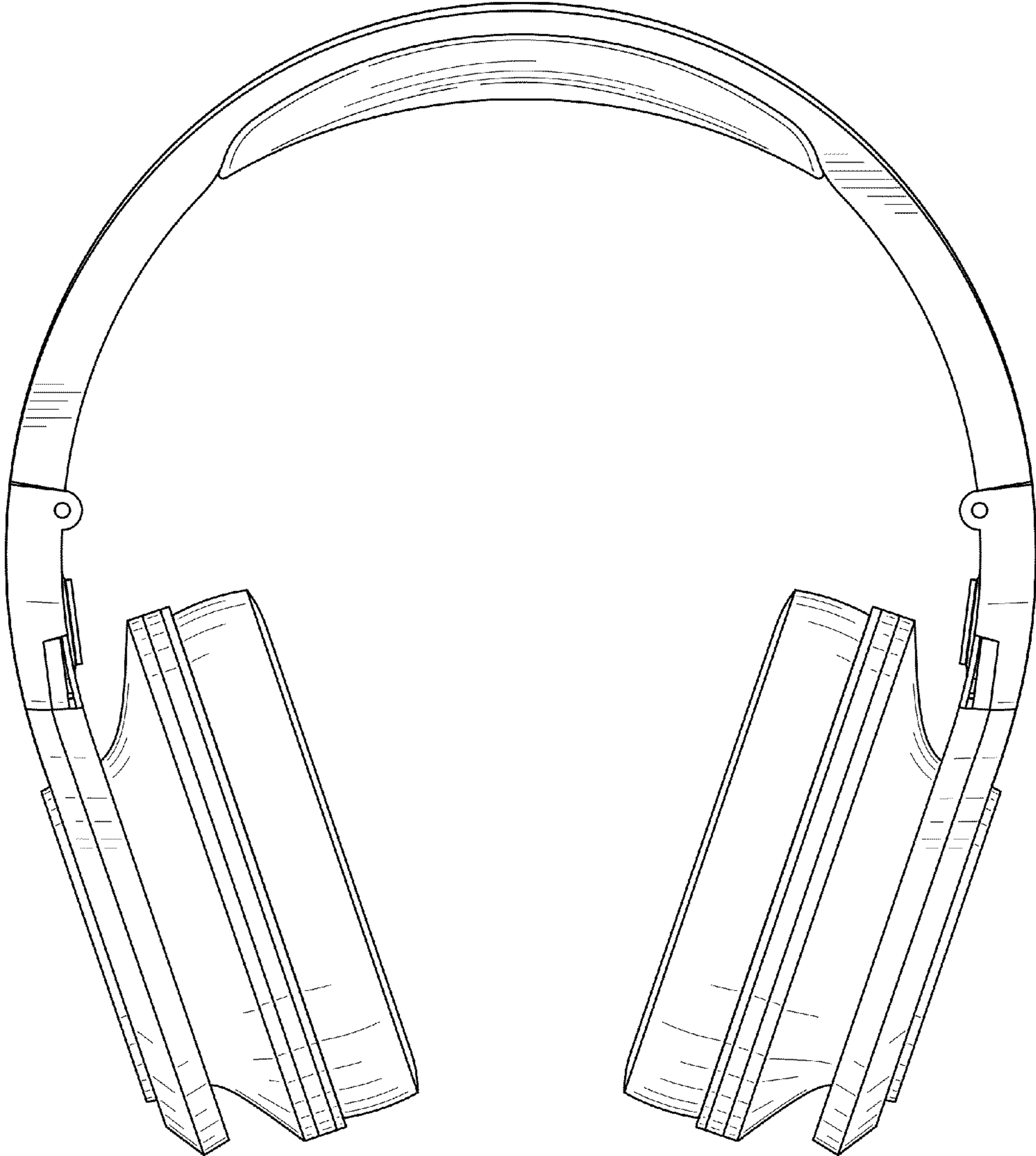


FIG. 3

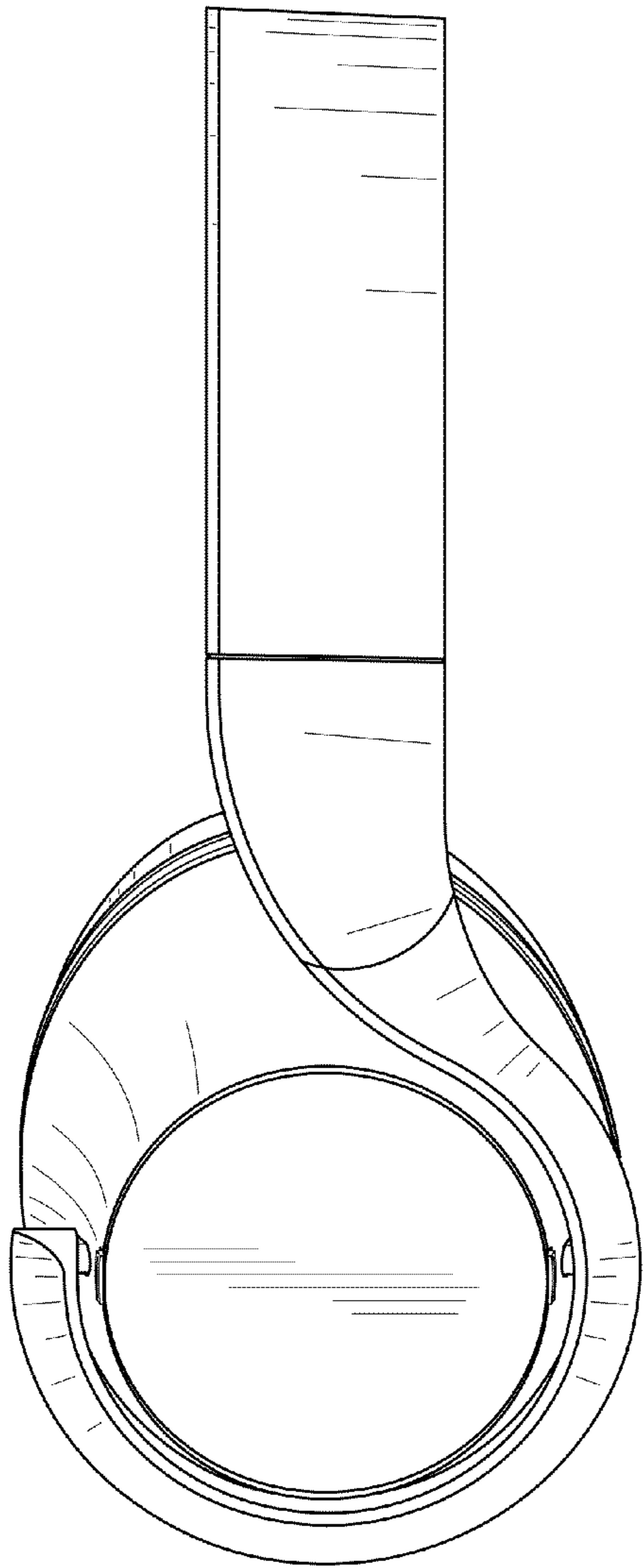


FIG. 4

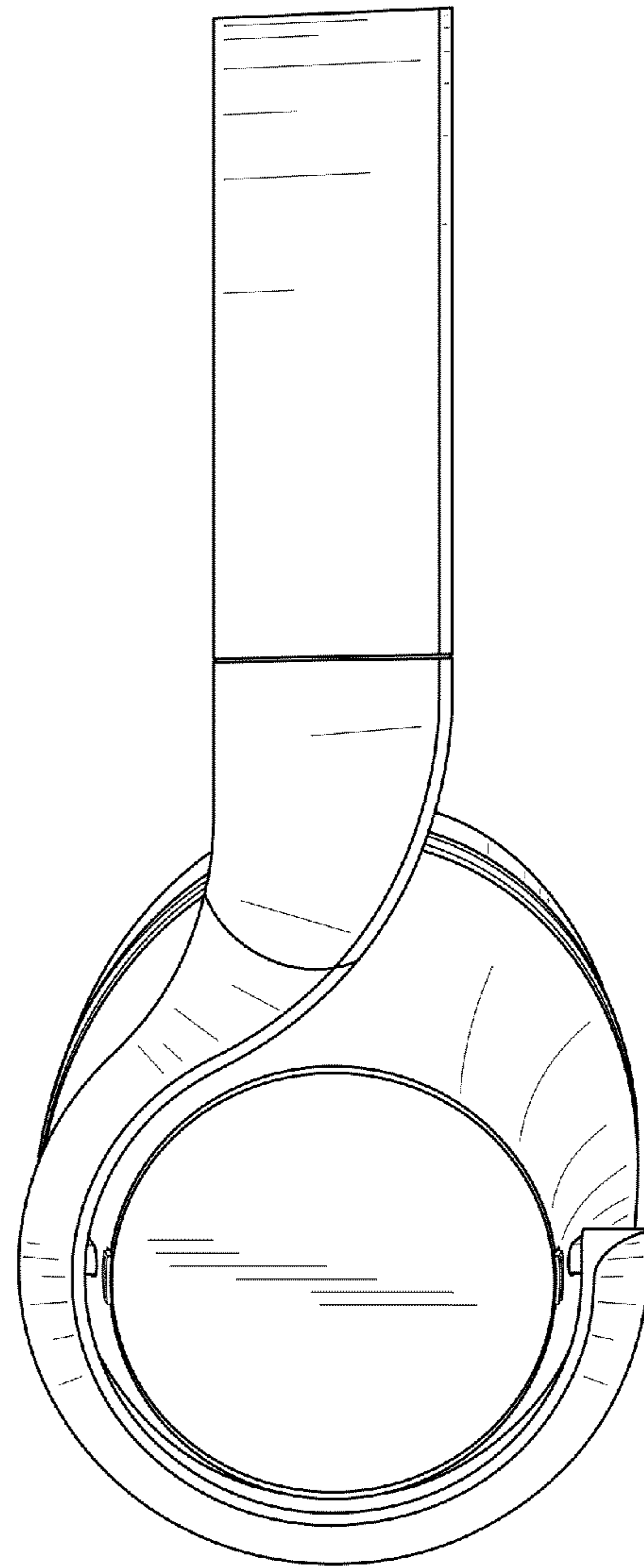


FIG. 5

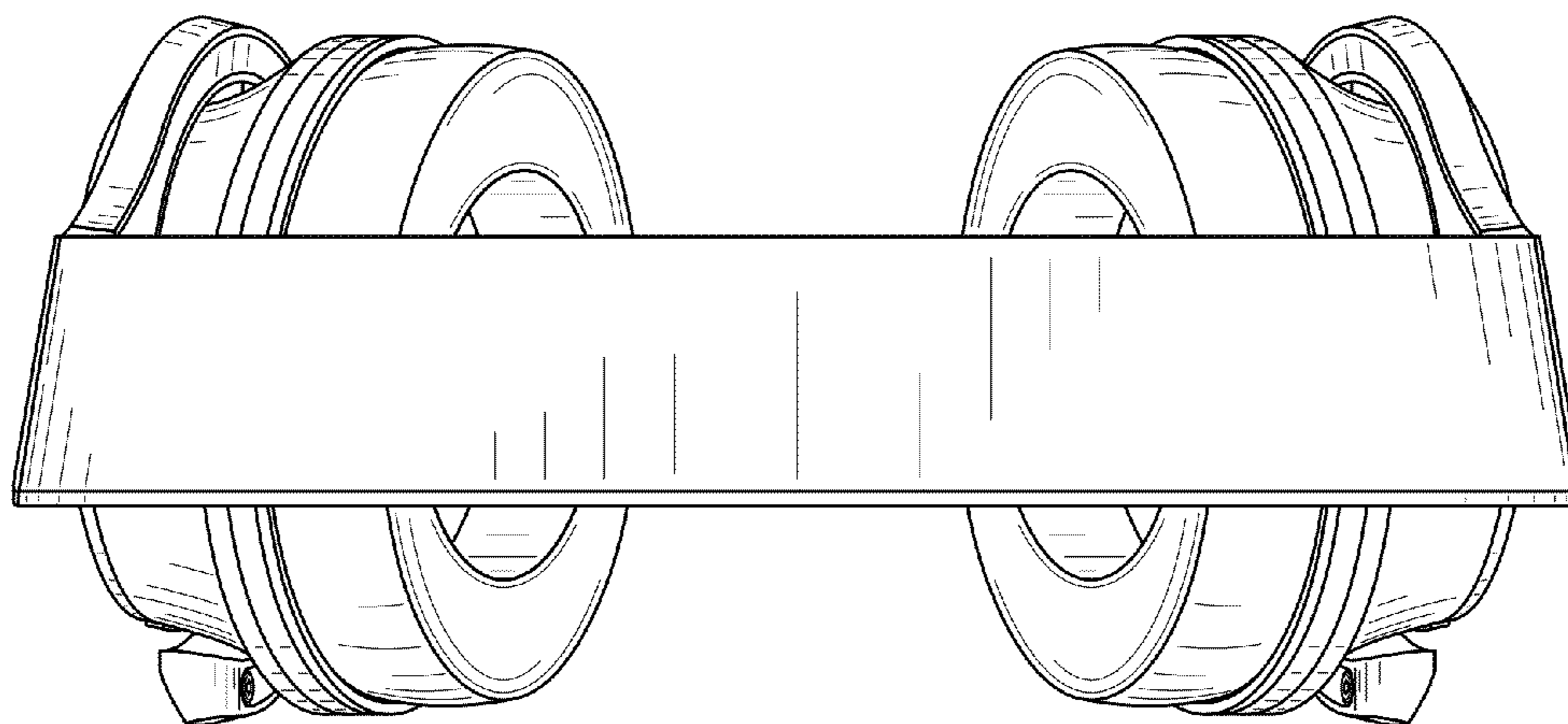


FIG. 6

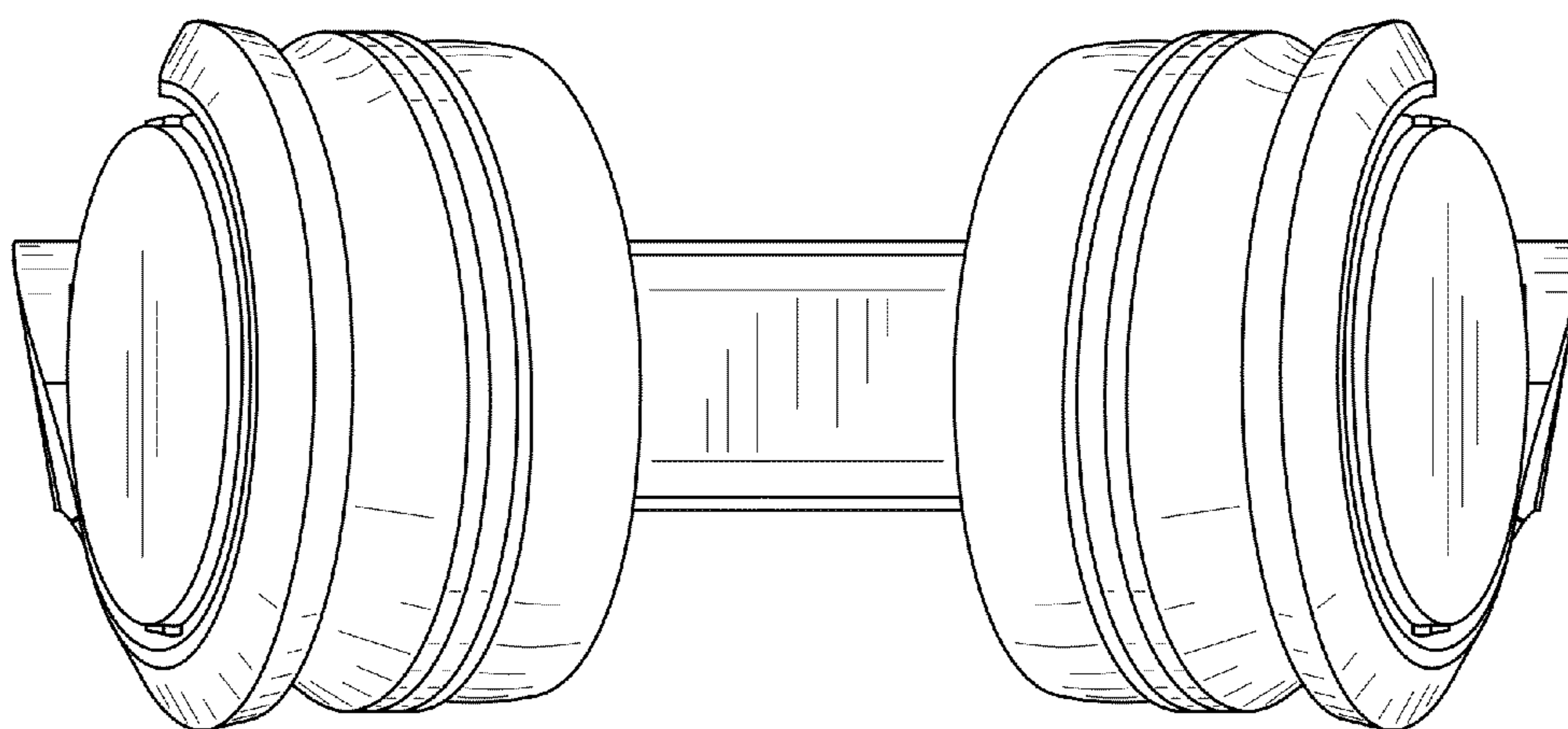


FIG. 7

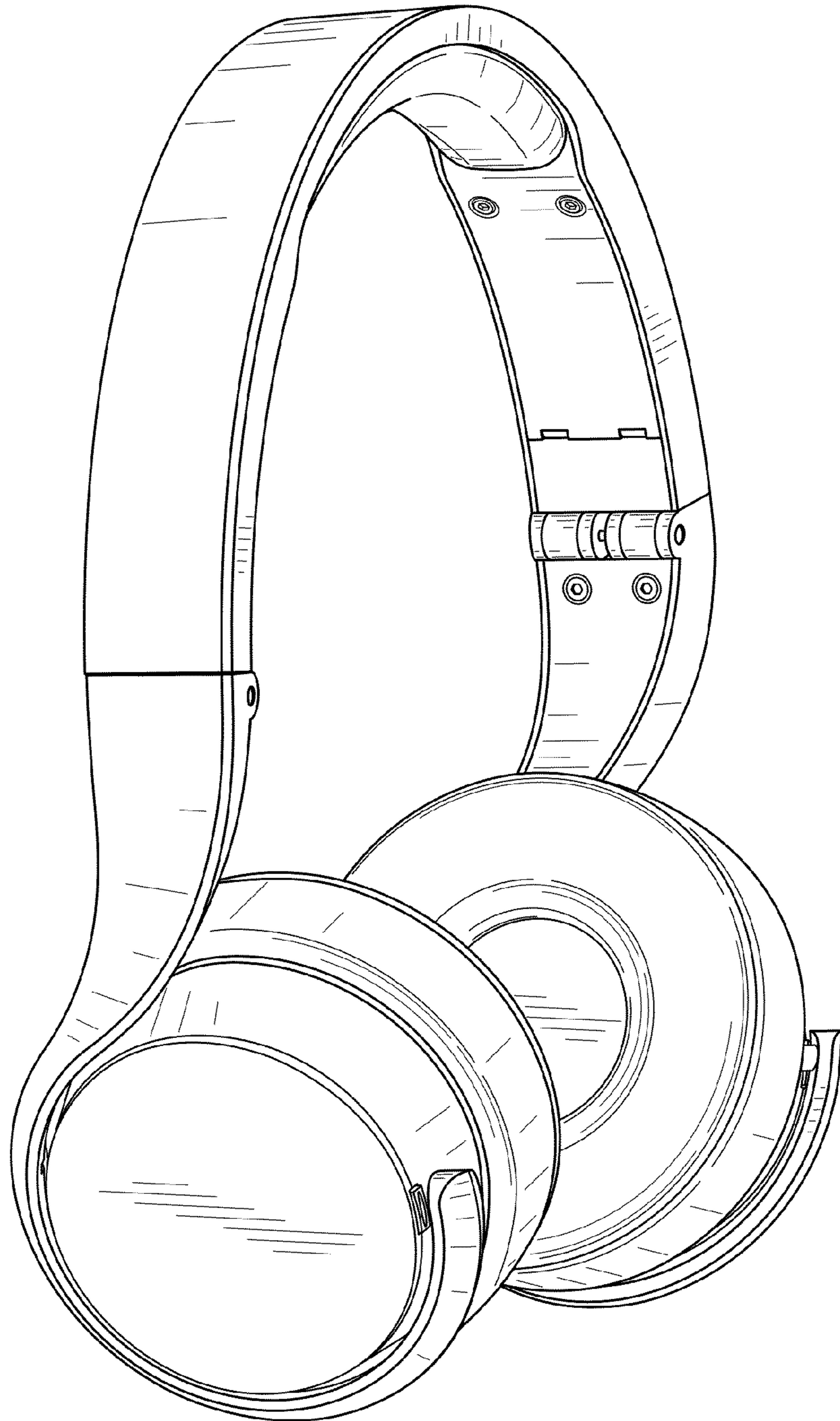


FIG. 8



FIG. 9



FIG. 10

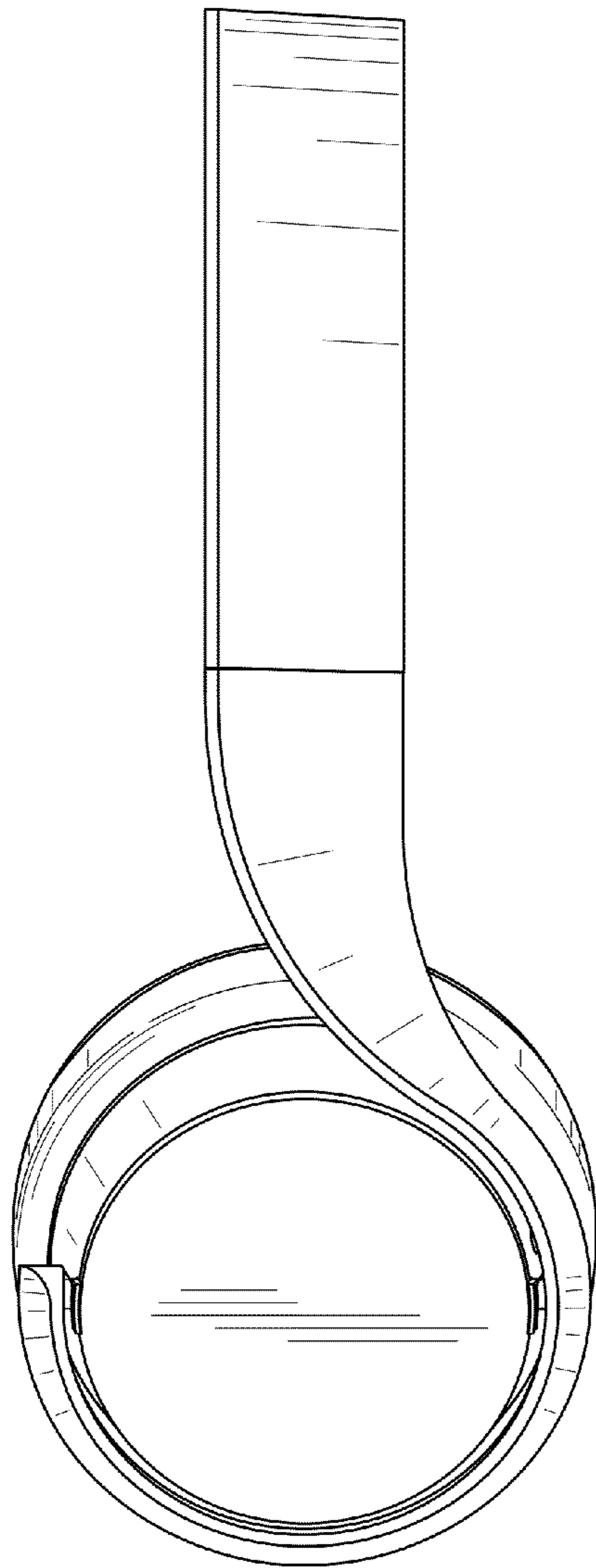


FIG. 11

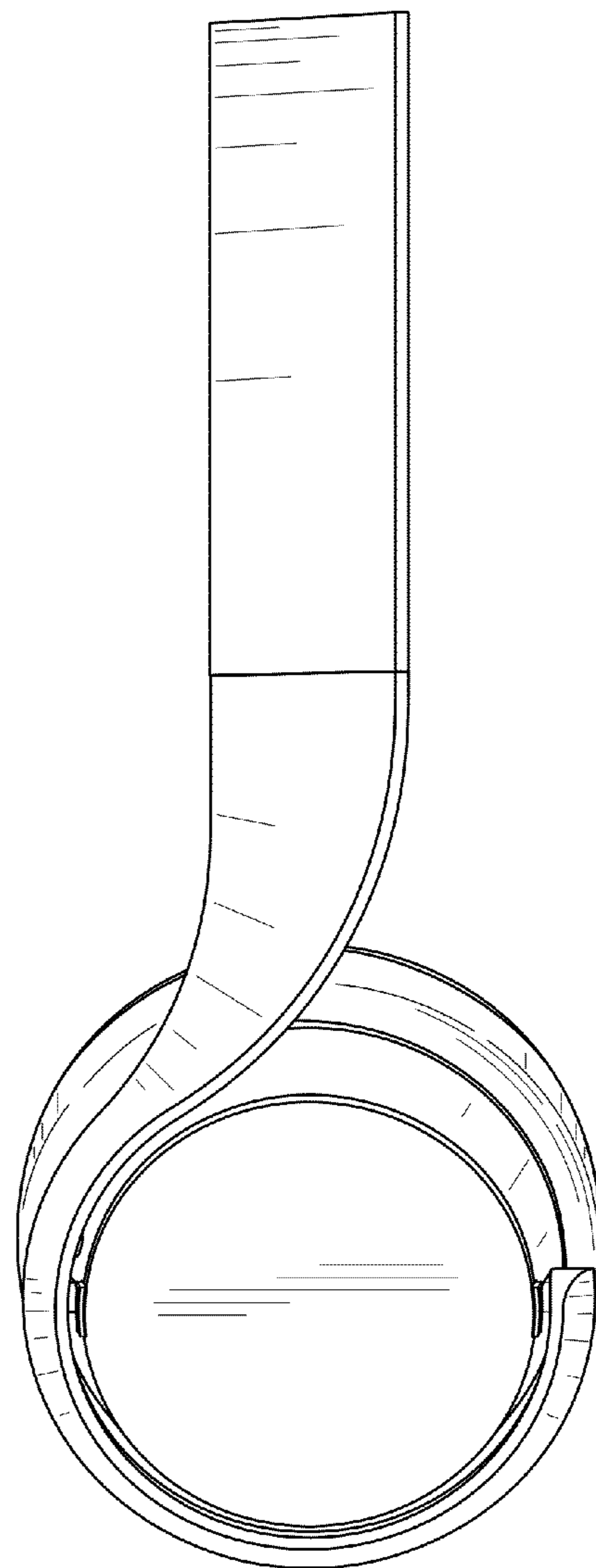


FIG. 12

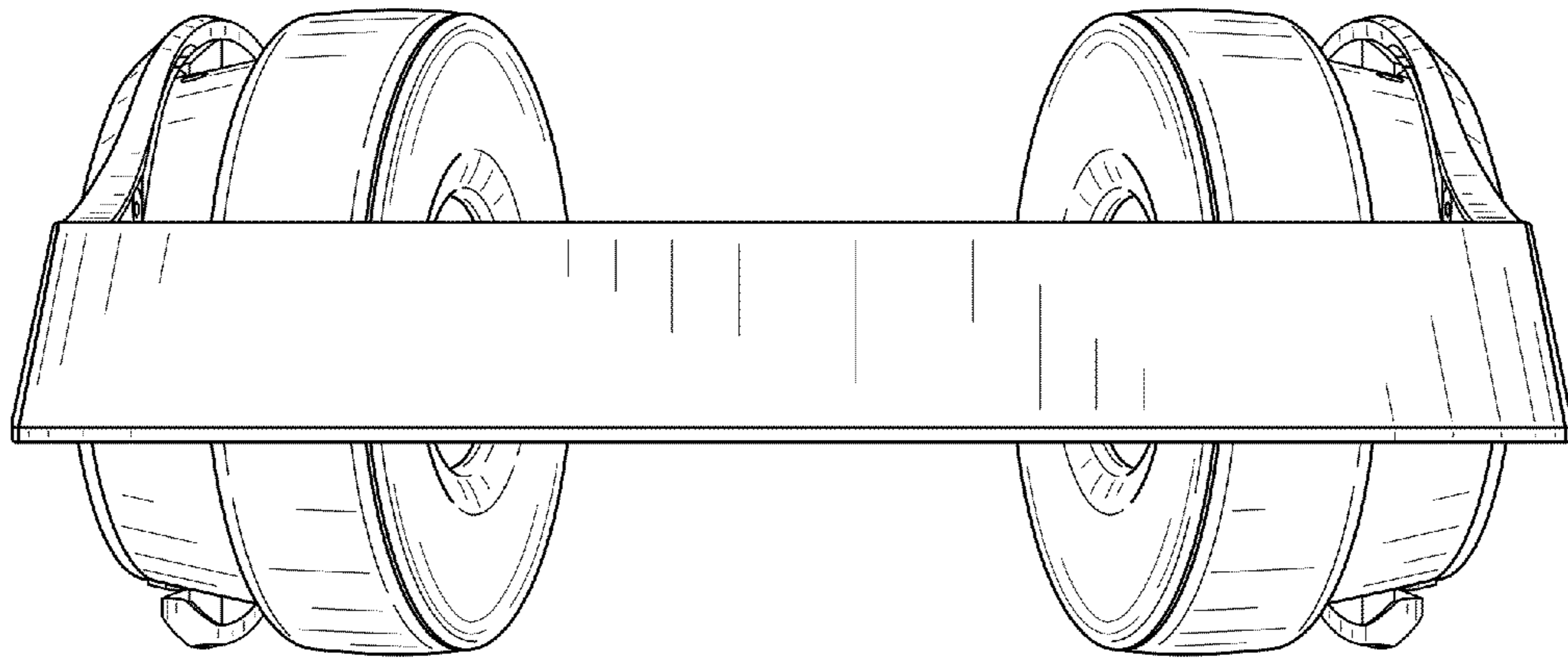


FIG. 13

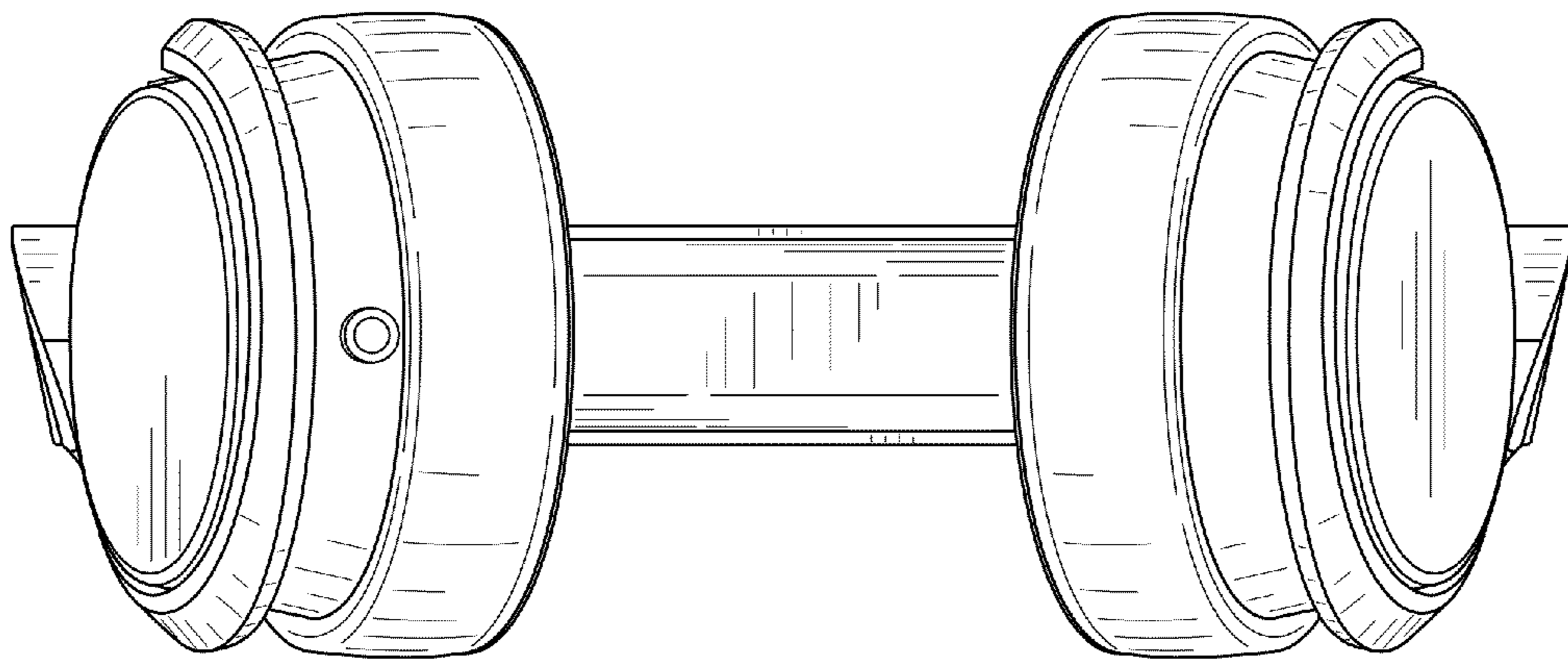


FIG. 14