



US00D707651S

(12) **United States Design Patent**  
**Tsai**

(10) **Patent No.:** **US D707,651 S**  
(45) **Date of Patent:** **\*\* Jun. 24, 2014**

(54) **PAGER**

(71) Applicant: **Timotion Technology Co., Ltd.**, New Taipei (TW)

(72) Inventor: **Chun-Yi Tsai**, New Taipei (TW)

(73) Assignee: **Timotion Technology Co., Ltd.**, New Taipei (TW)

(\*\*) Term: **14 Years**

(21) Appl. No.: **29/471,236**

(22) Filed: **Oct. 30, 2013**

(51) **LOC (10) Cl.** ..... **14-03**

(52) **U.S. Cl.**  
USPC ..... **D14/191**

(58) **Field of Classification Search**  
CPC ..... G08B 3/00; G08B 3/1008; G08B 3/1025;  
G08B 3/1058; H04M 11/022; H04N 7/147;  
H05K 5/00  
USPC ..... 455/90.1-90.3, 3.01-3.06, 91, 95, 100,  
455/128, 351; 340/7.1, 7.2, 7.57, 7.6, 7.62,  
340/7.63

See application file for complete search history.

(56) **References Cited**

**U.S. PATENT DOCUMENTS**

D395,310 S \* 6/1998 Beaumont et al. .... D14/191  
D400,534 S \* 11/1998 Wolf et al. .... D14/191

D401,239 S \* 11/1998 DeLong ..... D14/191  
D519,099 S \* 4/2006 Liu et al. .... D14/155  
D540,774 S \* 4/2007 Alwicker et al. .... D14/155  
D554,616 S \* 11/2007 Pierce ..... D14/191  
D577,708 S \* 9/2008 von Meiss et al. .... D14/158  
D596,614 S \* 7/2009 Wilson ..... D14/188  
D596,615 S \* 7/2009 Wilson ..... D14/188  
D622,685 S \* 8/2010 Garra et al. .... D14/137  
D646,280 S \* 10/2011 Yano ..... D14/412

\* cited by examiner

*Primary Examiner* — Keli L Hill

(74) *Attorney, Agent, or Firm* — Chun-Ming Shih; HDLS IPR Services

(57) **CLAIM**

The ornamental design for a pager, as shown and described.

**DESCRIPTION**

FIG. 1 is a perspective view of a pager showing my new design;

FIG. 2 is a front view thereof;

FIG. 3 is a rear view thereof;

FIG. 4 is a left side view thereof;

FIG. 5 is a right side view thereof;

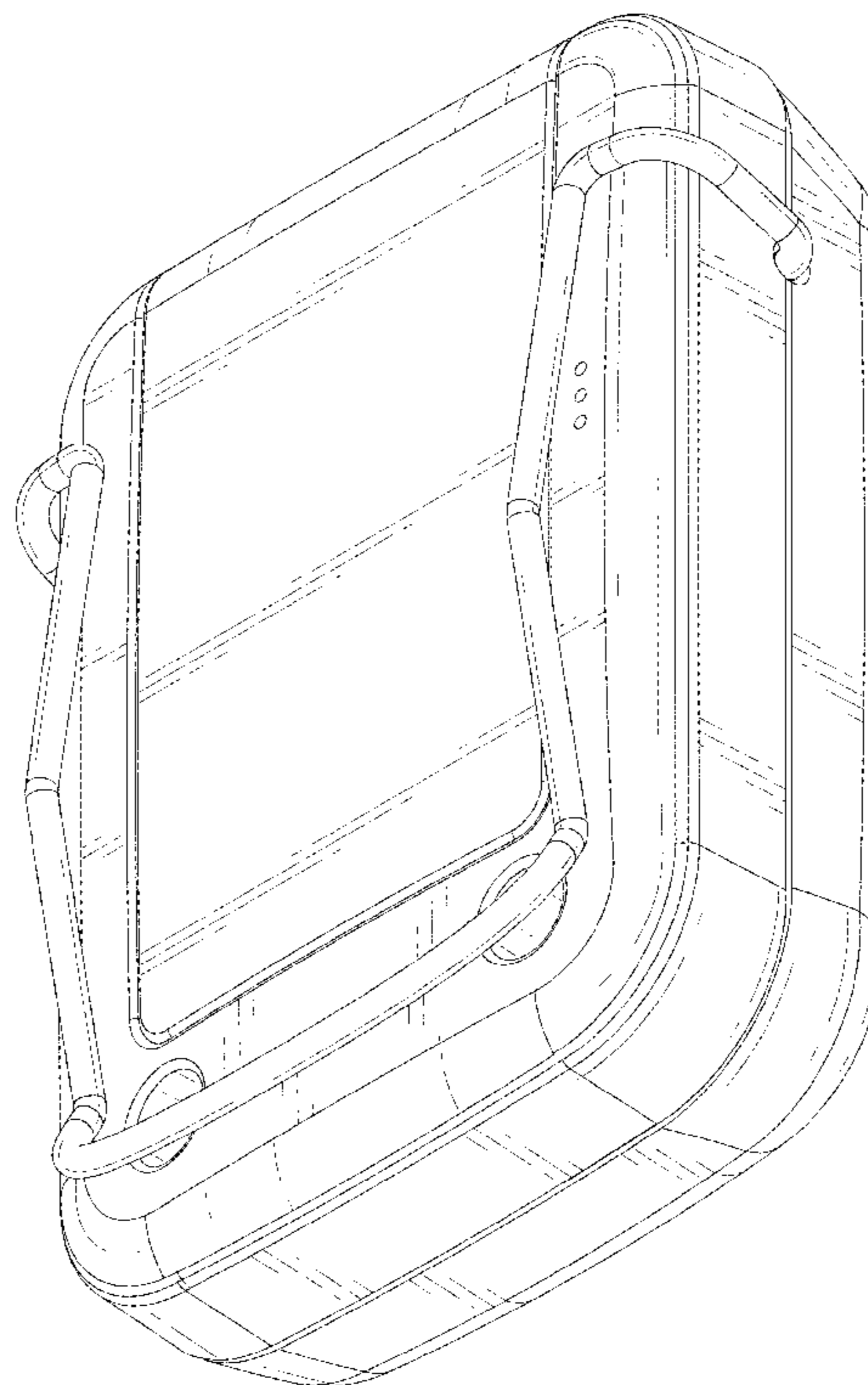
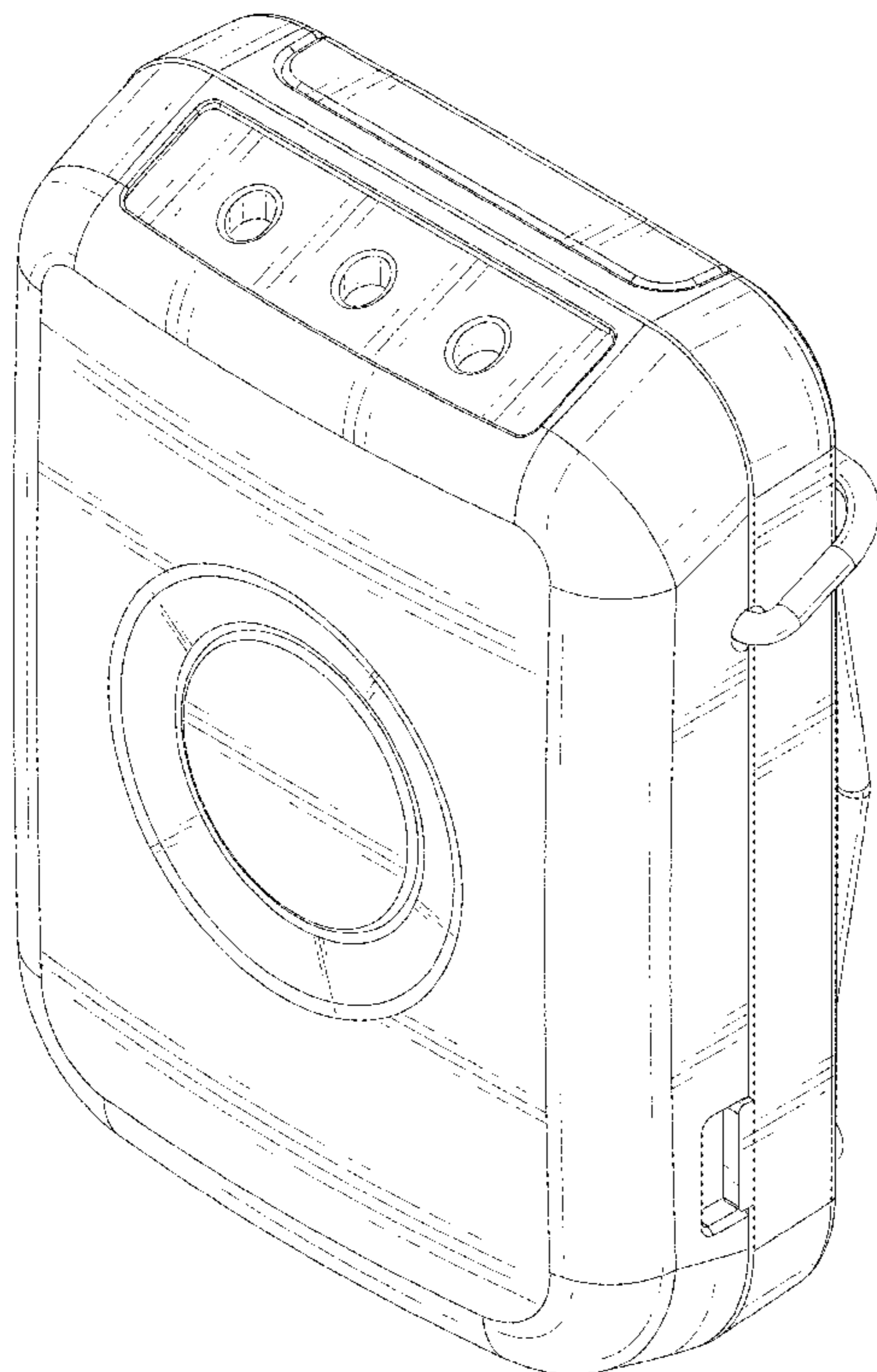
FIG. 6 is a top view thereof;

FIG. 7 is a bottom view thereof; and,

FIG. 8 is the other perspective view showing the pager.

The broken lines shown represent unclaimed subject matter and form no part of the claimed design.

**1 Claim, 7 Drawing Sheets**



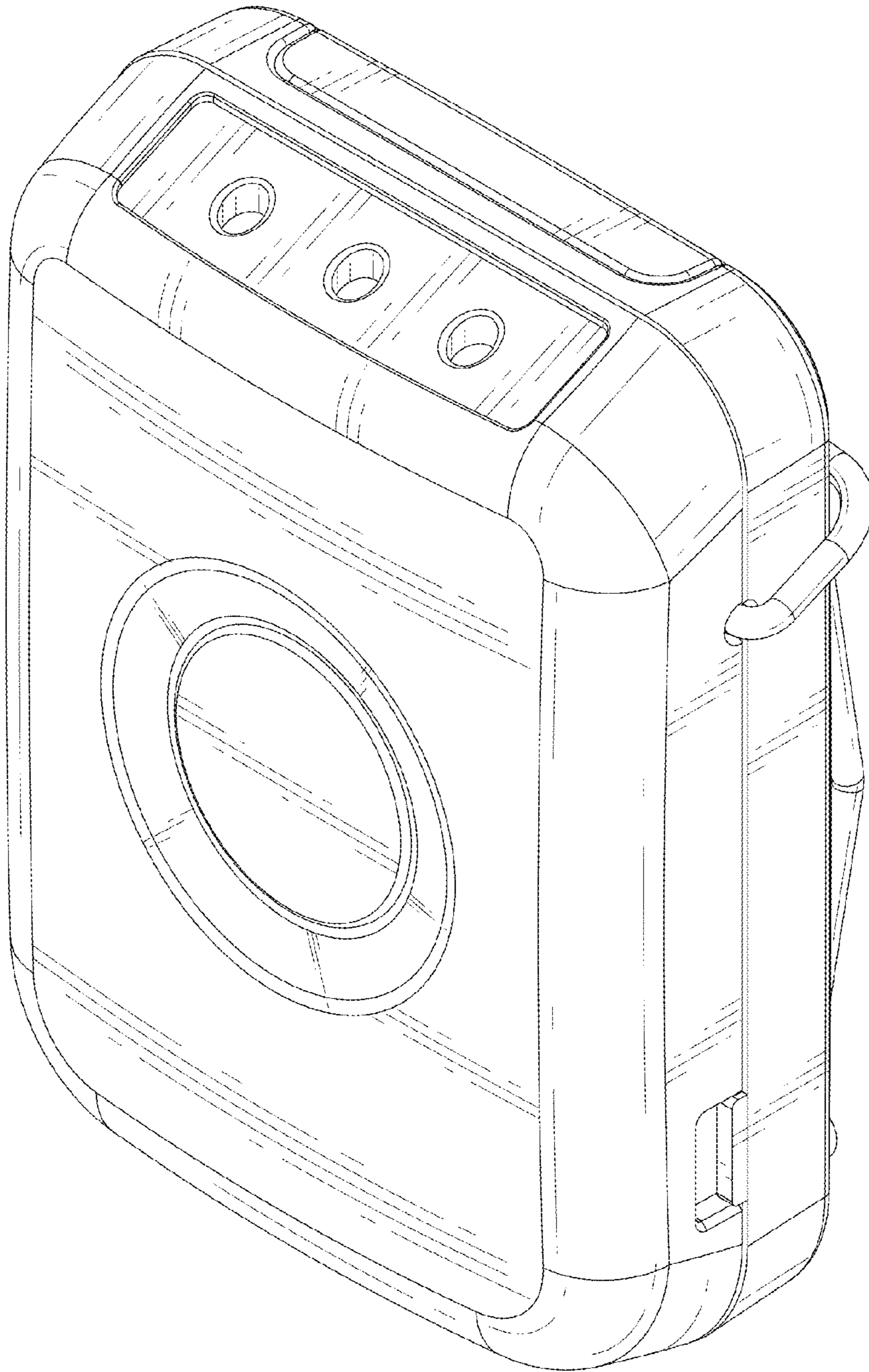


FIG. 1

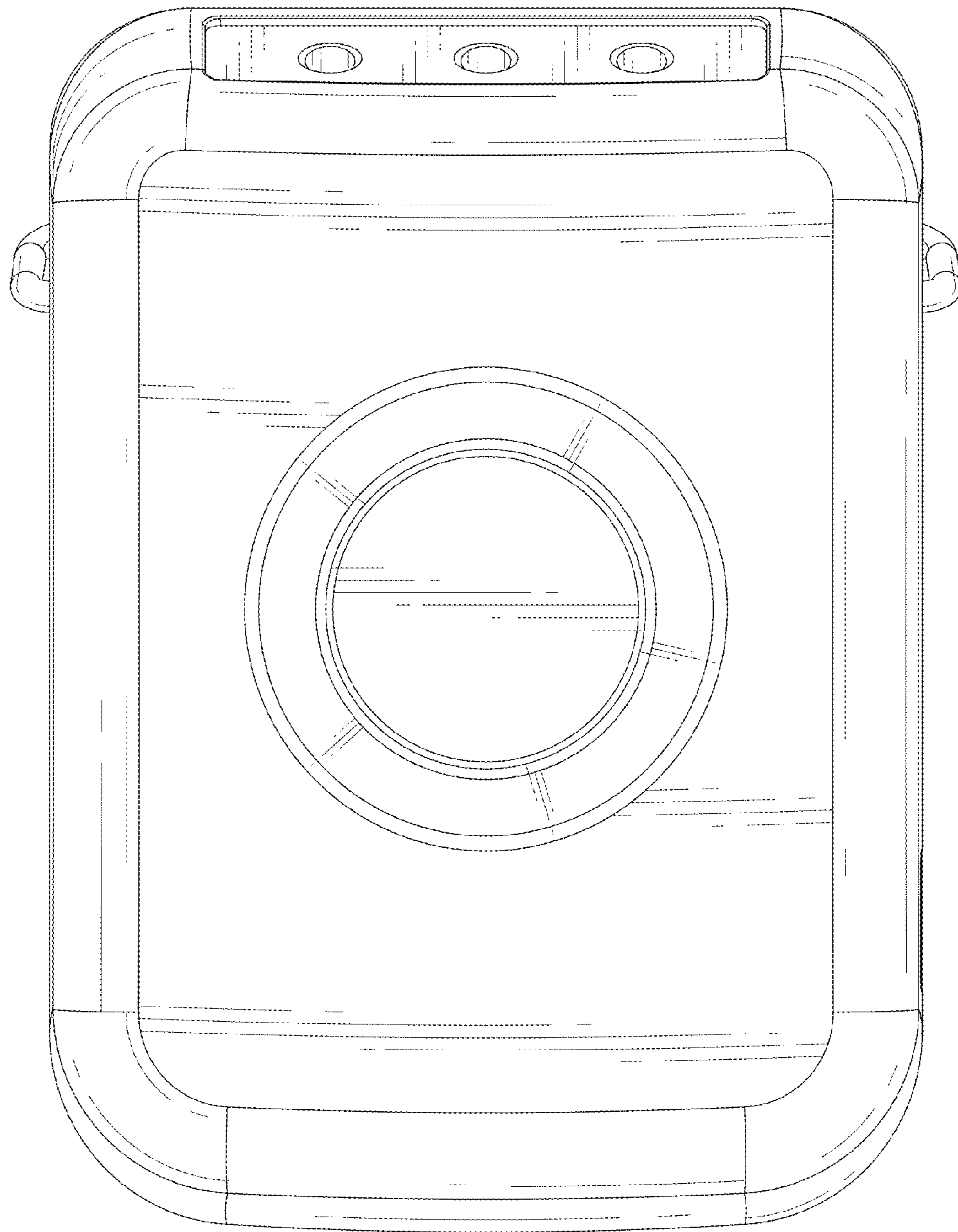


FIG.2

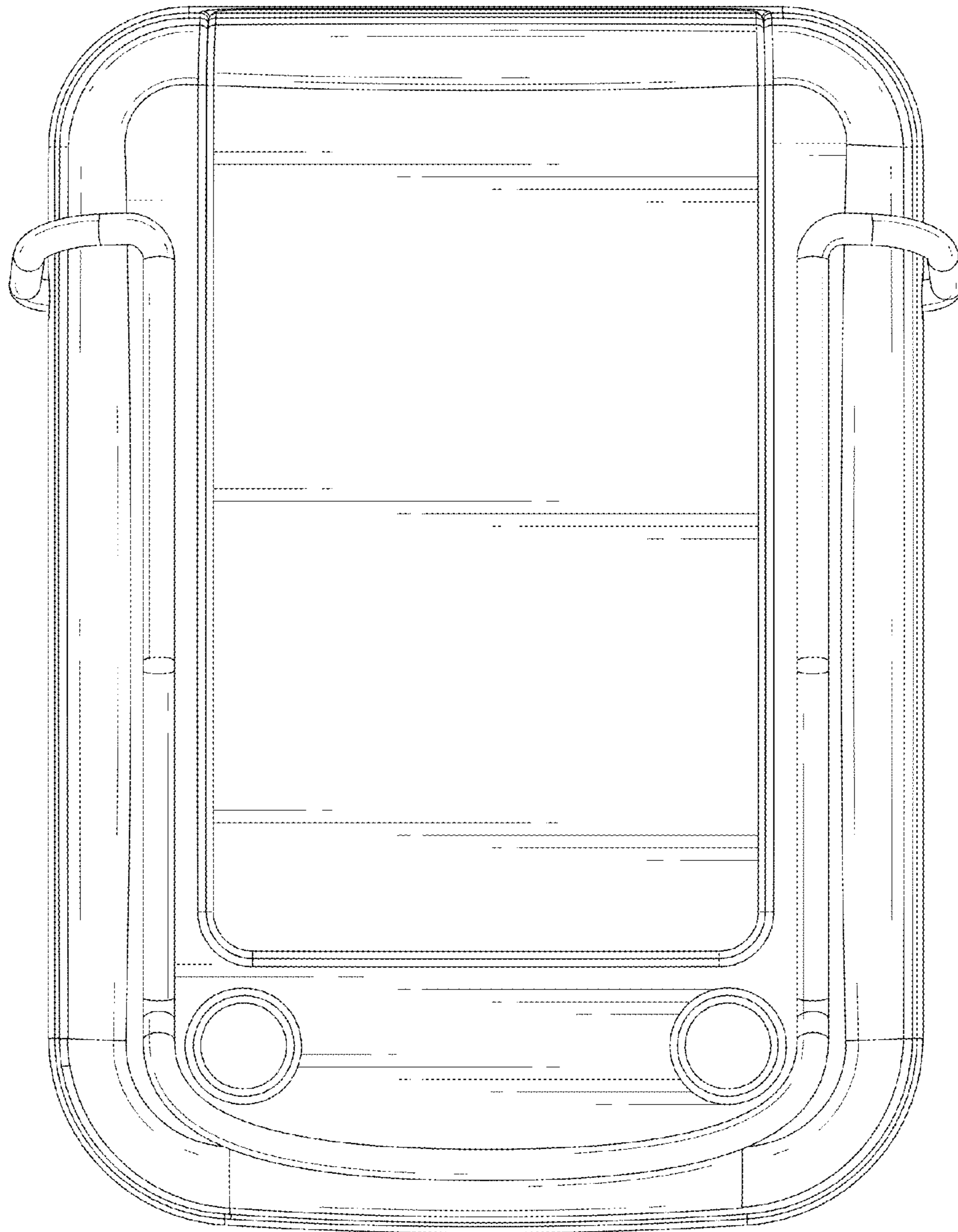


FIG.3

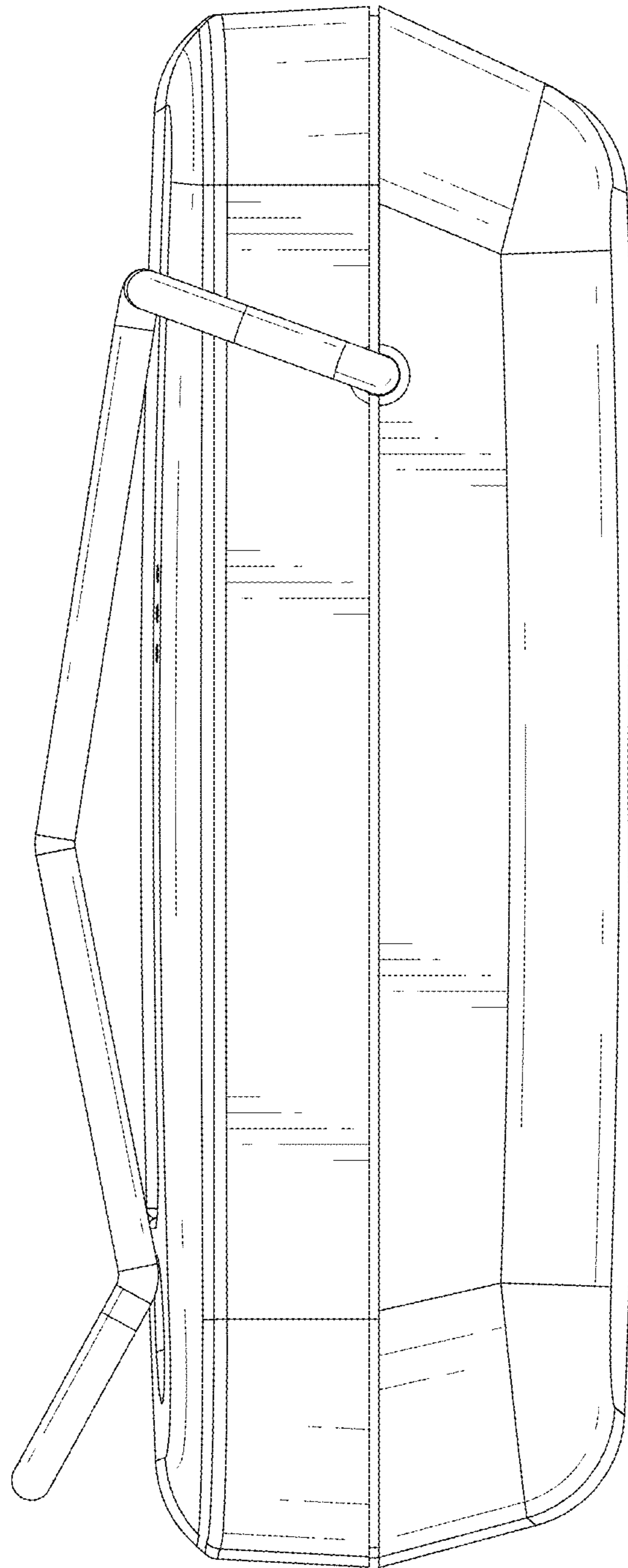


FIG.4

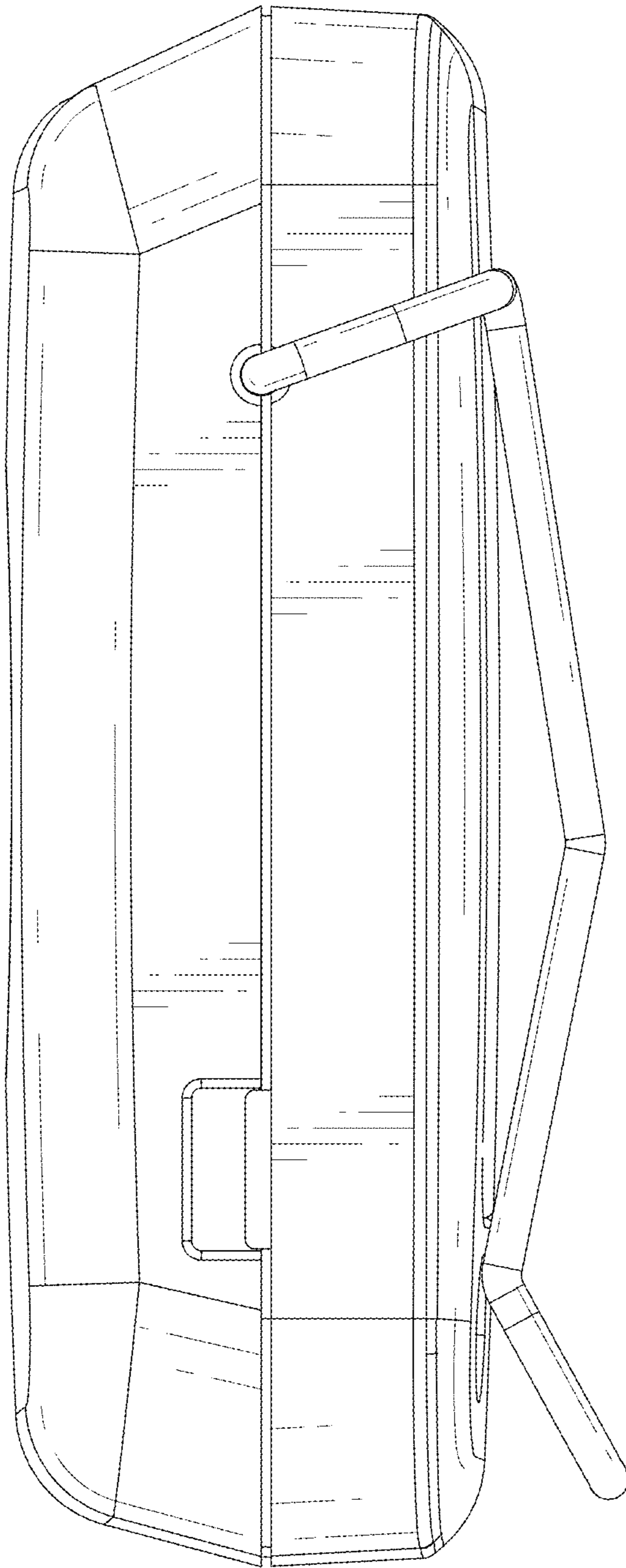


FIG.5

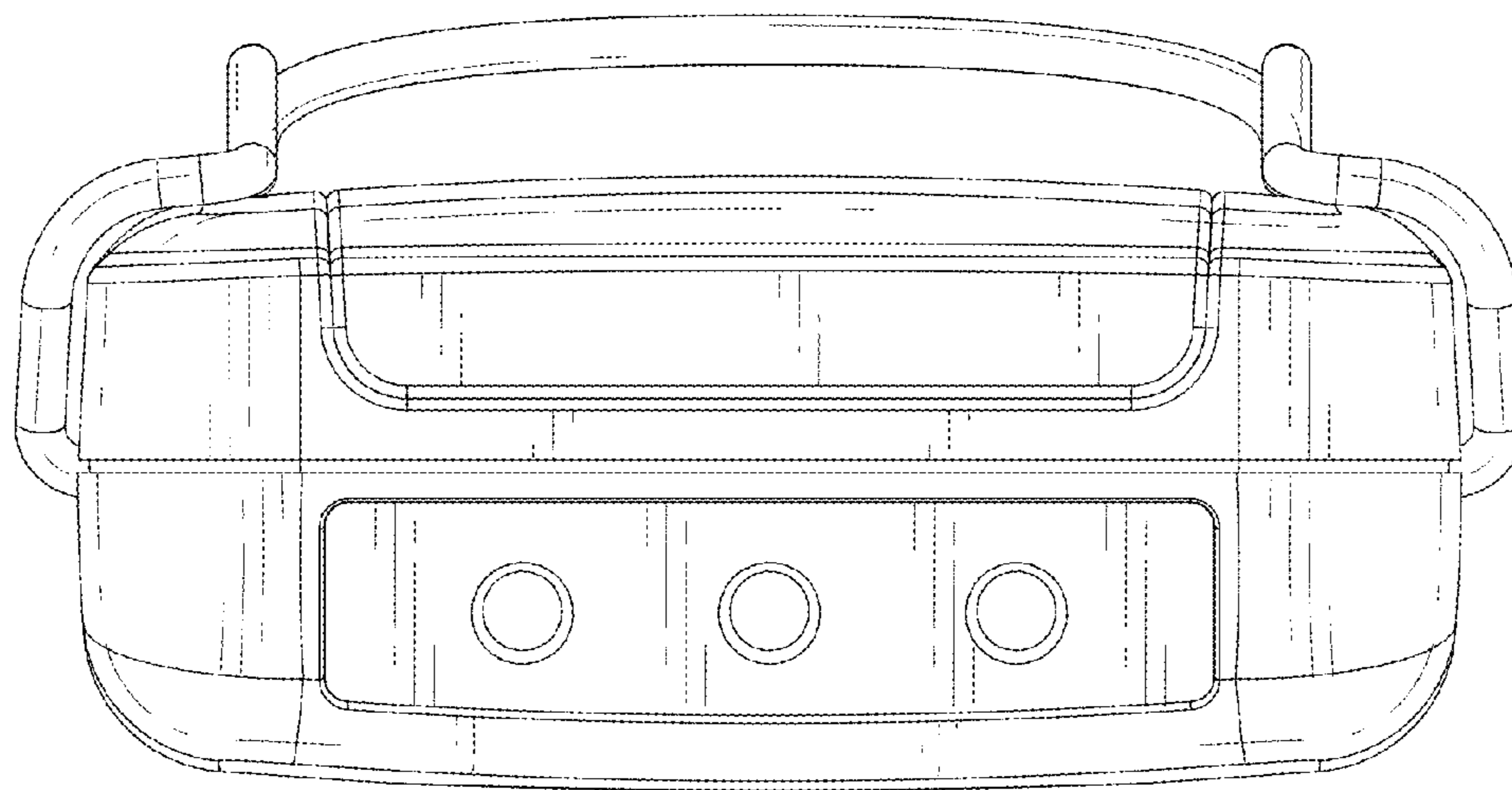


FIG. 6

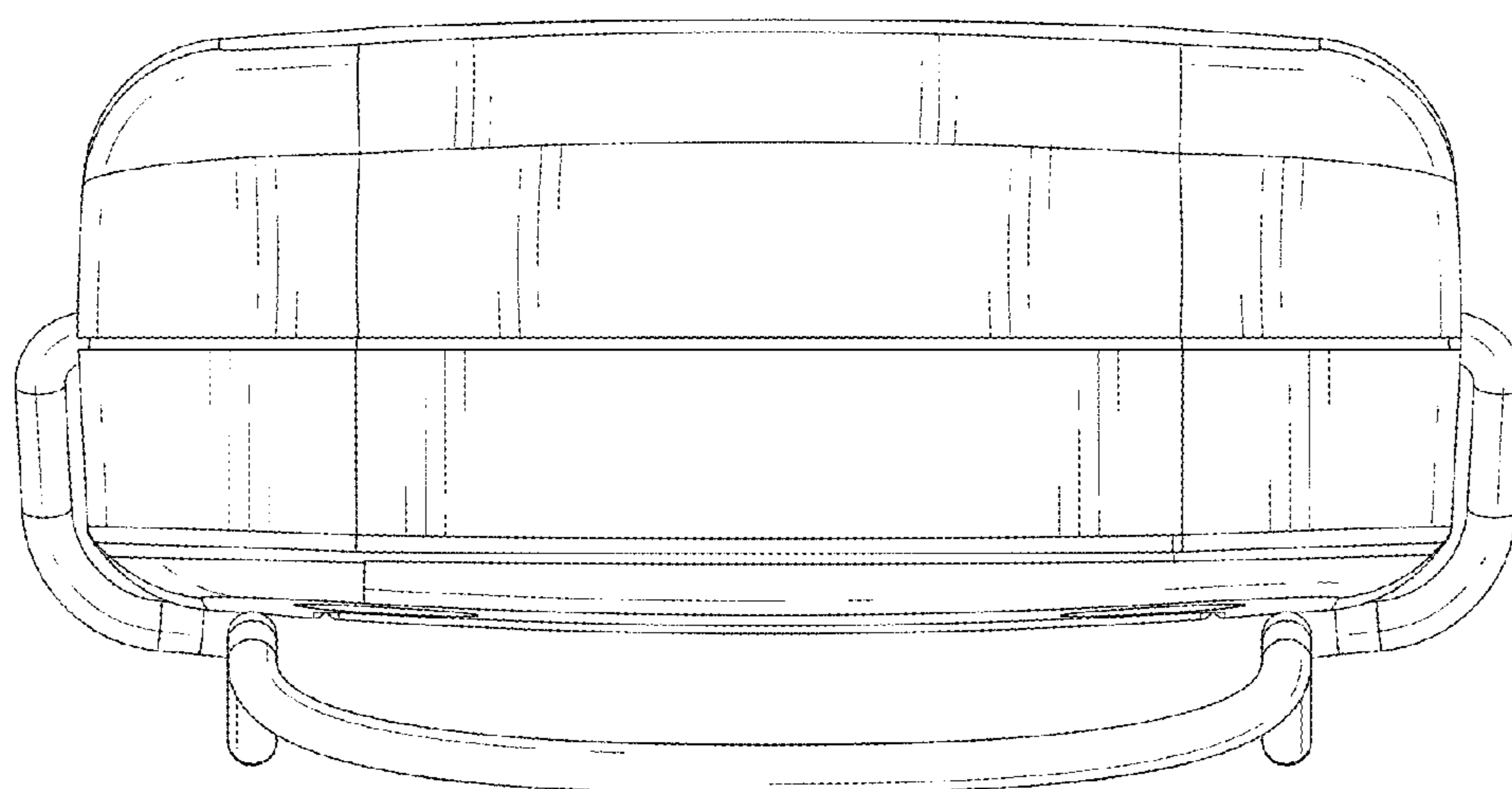


FIG. 7

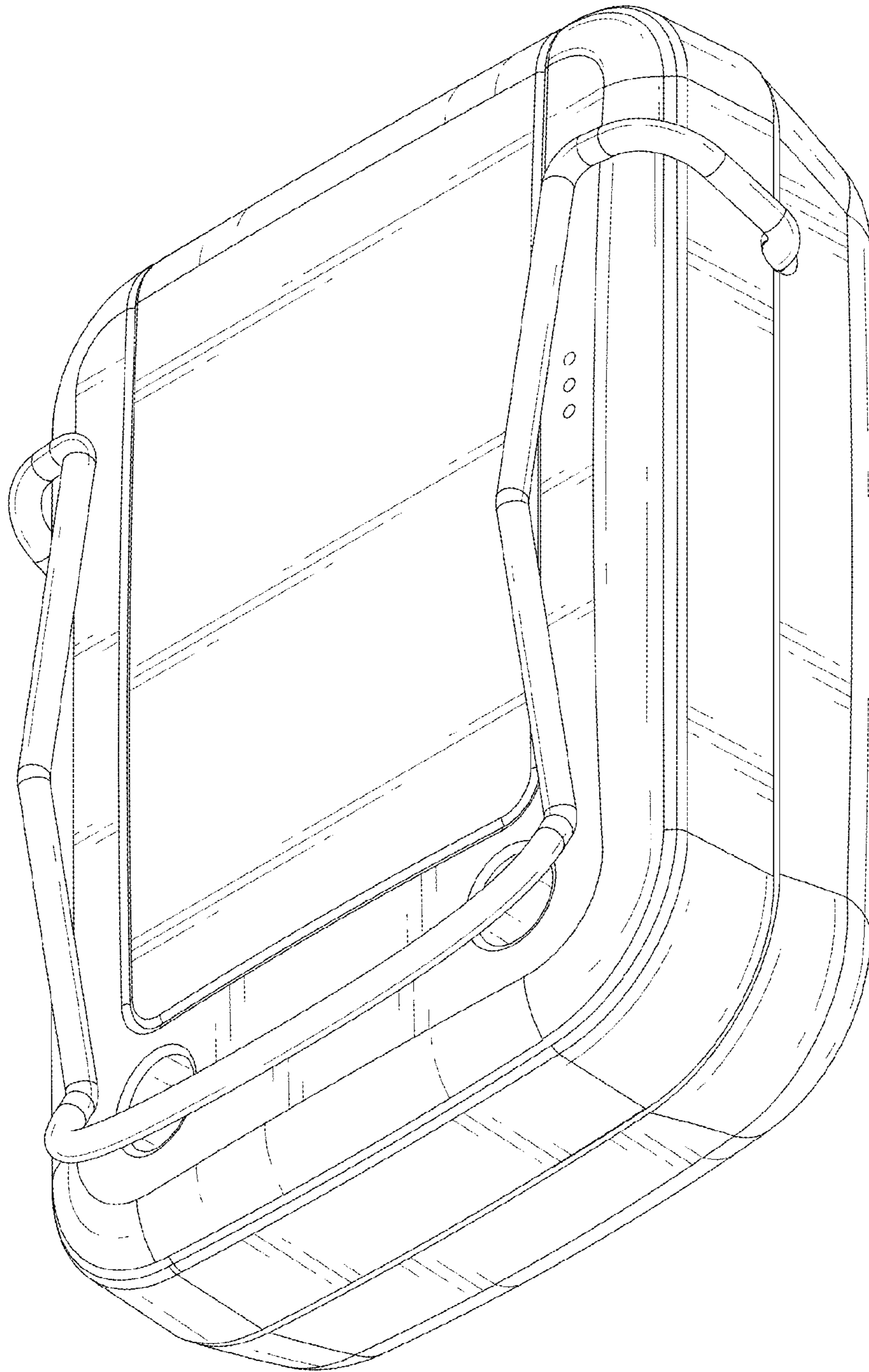


FIG.8