



US00D707644S

(12) **United States Design Patent**
Asano et al.

(10) **Patent No.:** **US D707,644 S**
(45) **Date of Patent:** **** Jun. 24, 2014**

- (54) **MOBILE PHONE**
- (71) Applicant: **Panasonic Corporation**, Kadoma (JP)
- (72) Inventors: **Akira Asano**, Tokyo (JO); **Katsuhiro Kitade**, Tokyo (JP)
- (73) Assignee: **Panasonic Corporation**, Osaka (JP)
- (**) Term: **14 Years**
- (21) Appl. No.: **29/436,123**
- (22) Filed: **Nov. 1, 2012**
- (51) **LOC (10) Cl.** **14-03**
- (52) **U.S. Cl.**
USPC **D14/138 G**
- (58) **Field of Classification Search**
USPC D14/138 R, 138 AD, 138 AC, 138 C,
D14/138 G, 137, 341-347, 247-248;
455/566, 575.1, 575.3, 575.4
See application file for complete search history.

- D654,460 S * 2/2012 Kim et al. D14/138 G
- D673,131 S * 12/2012 Sugiyama D14/138 G
- D676,817 S * 2/2013 Nuovo et al. D14/138 G
- D688,221 S * 8/2013 Zuffo et al. D14/138 G
- D693,787 S * 11/2013 Reivo et al. D14/138 G
- D700,161 S * 2/2014 Yoshihara D14/138 G
- 2007/0287512 A1 * 12/2007 Kilpi et al. 455/575.1

OTHER PUBLICATIONS

Panasonic P11, announced 3rd quarter 2013, [online], [retrieved on Apr. 3, 2014]. Retrieved from Internet, <URL: <http://www.gsmarena.com>>.*

* cited by examiner

Primary Examiner — Bridget L Eland
(74) *Attorney, Agent, or Firm* — Brinks Gilson & Lione

(57) **CLAIM**
We claim the ornamental design for a mobile phone, as shown and described.

DESCRIPTION

FIG. 1 is a front perspective view of a mobile phone of the present invention;
FIG. 2 is a rear perspective view thereof;
FIG. 3 is a front view thereof;
FIG. 4 is a rear view thereof;
FIG. 5 is a first side view thereof;
FIG. 6 is a second side view thereof;
FIG. 7 is a top view thereof; and,
FIG. 8 is a bottom view thereof.
The broken lines shown represent unclaimed subject matter and form no part of the claimed design.

- (56) **References Cited**
U.S. PATENT DOCUMENTS
D569,837 S * 5/2008 Baik et al. D14/138 G
D579,898 S * 11/2008 Lee et al. D14/138 G
D583,345 S * 12/2008 Kim et al. D14/138 AD
D590,796 S * 4/2009 Kim et al. D14/138 AD
D608,327 S * 1/2010 Cigliano et al. D14/138 AD
D640,220 S * 6/2011 Shyu et al. D14/138 G
D653,229 S 1/2012 Castano
D654,049 S 2/2012 Chung

1 Claim, 8 Drawing Sheets

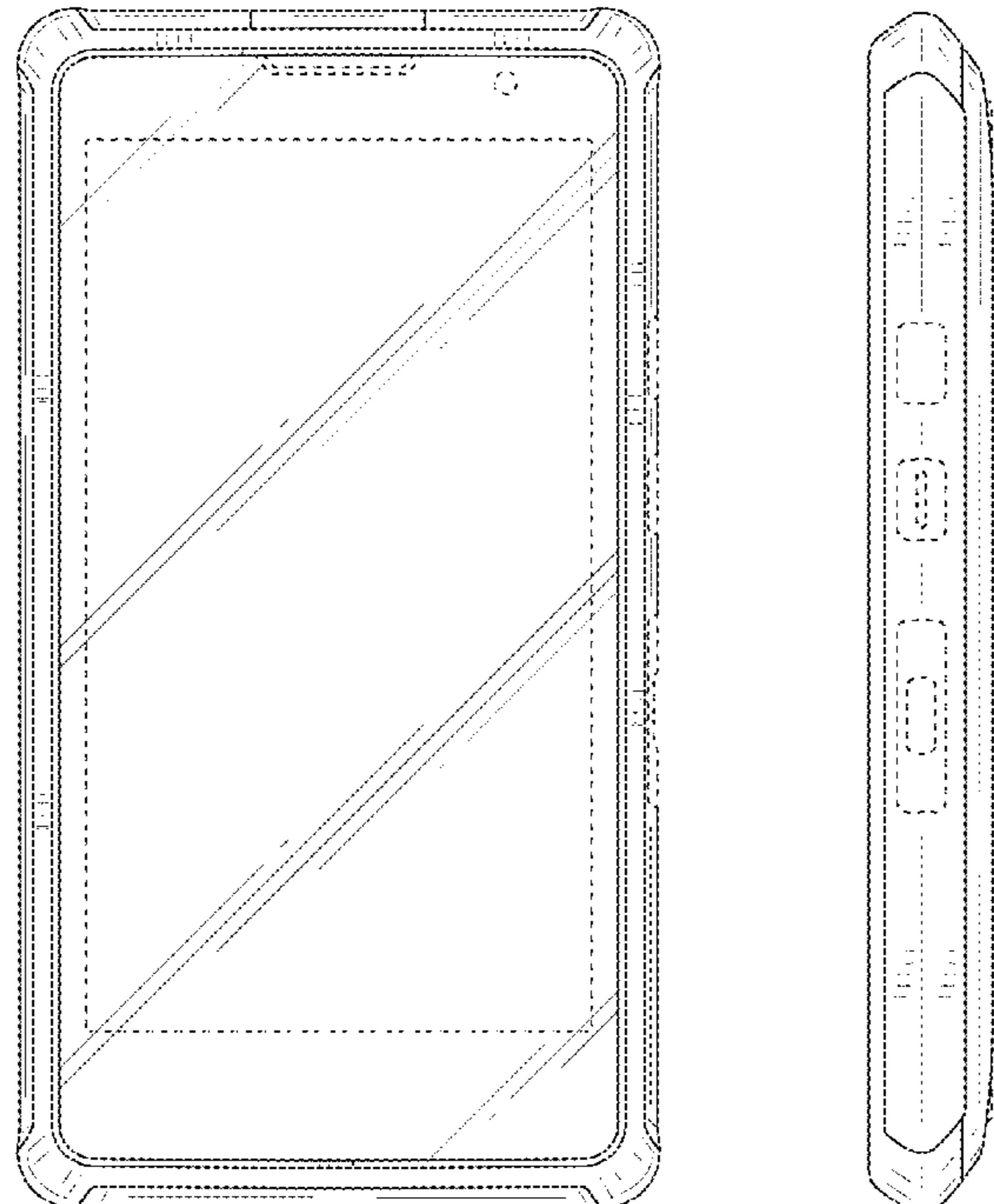


FIG. 1

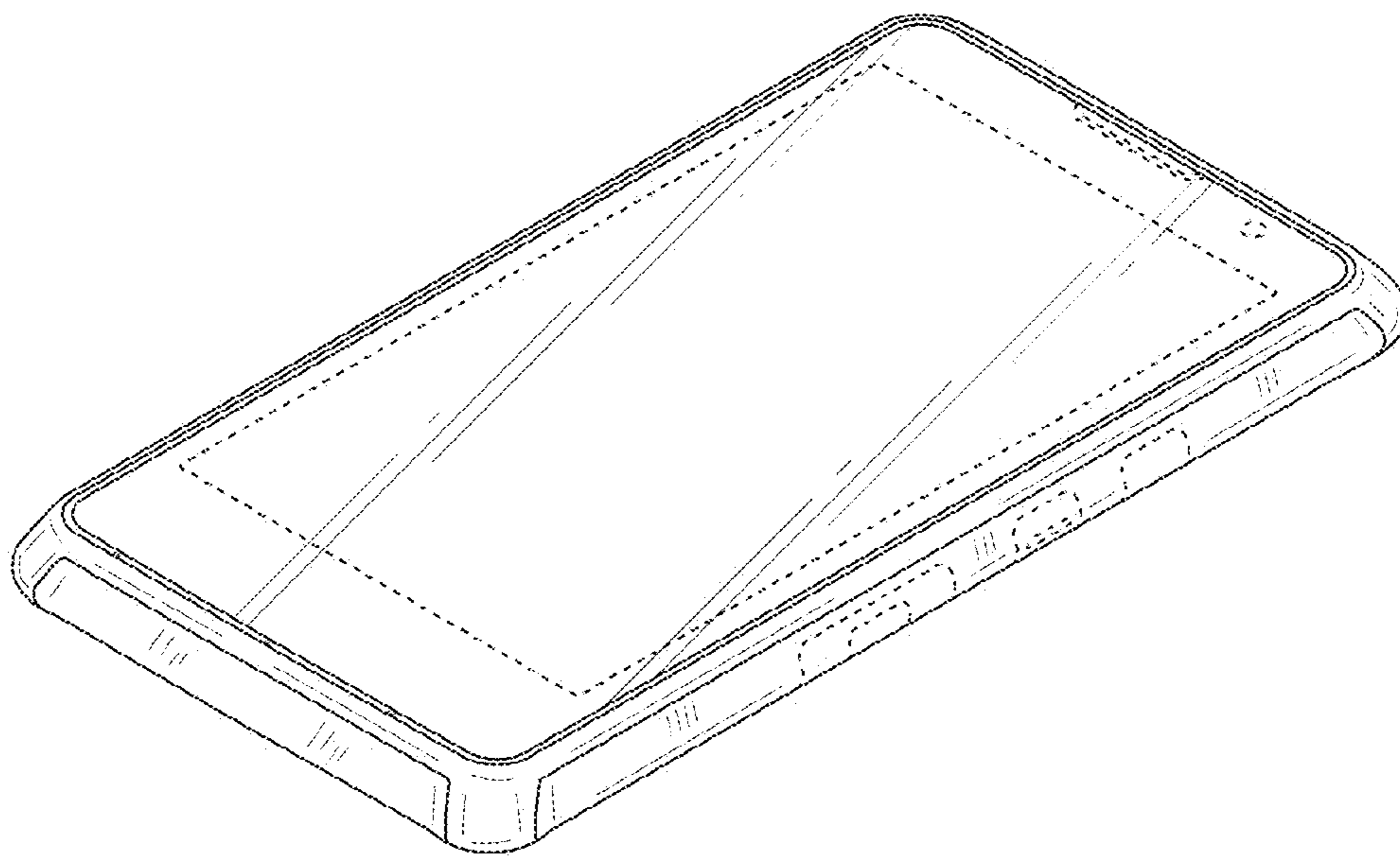


FIG.2

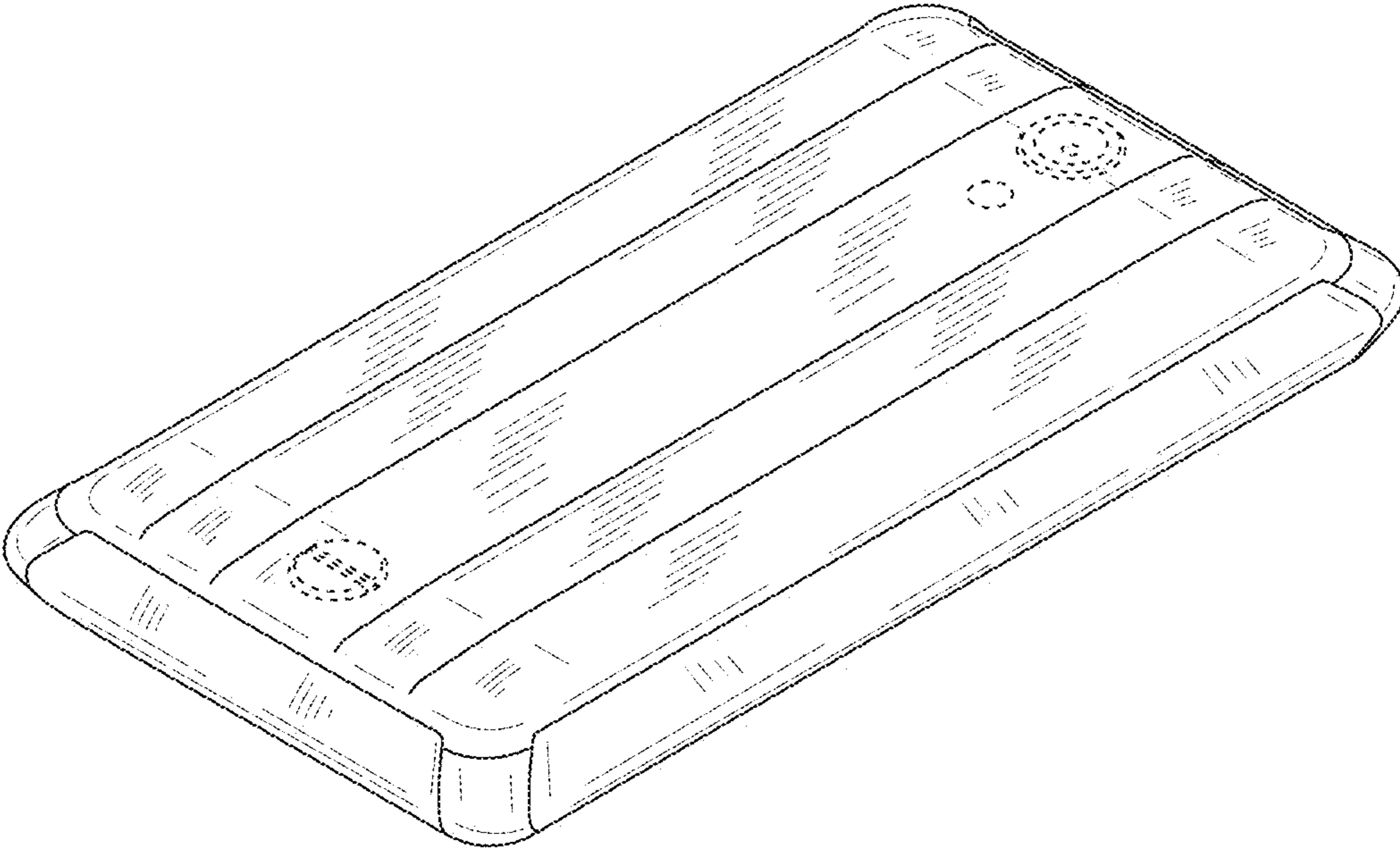


FIG.3

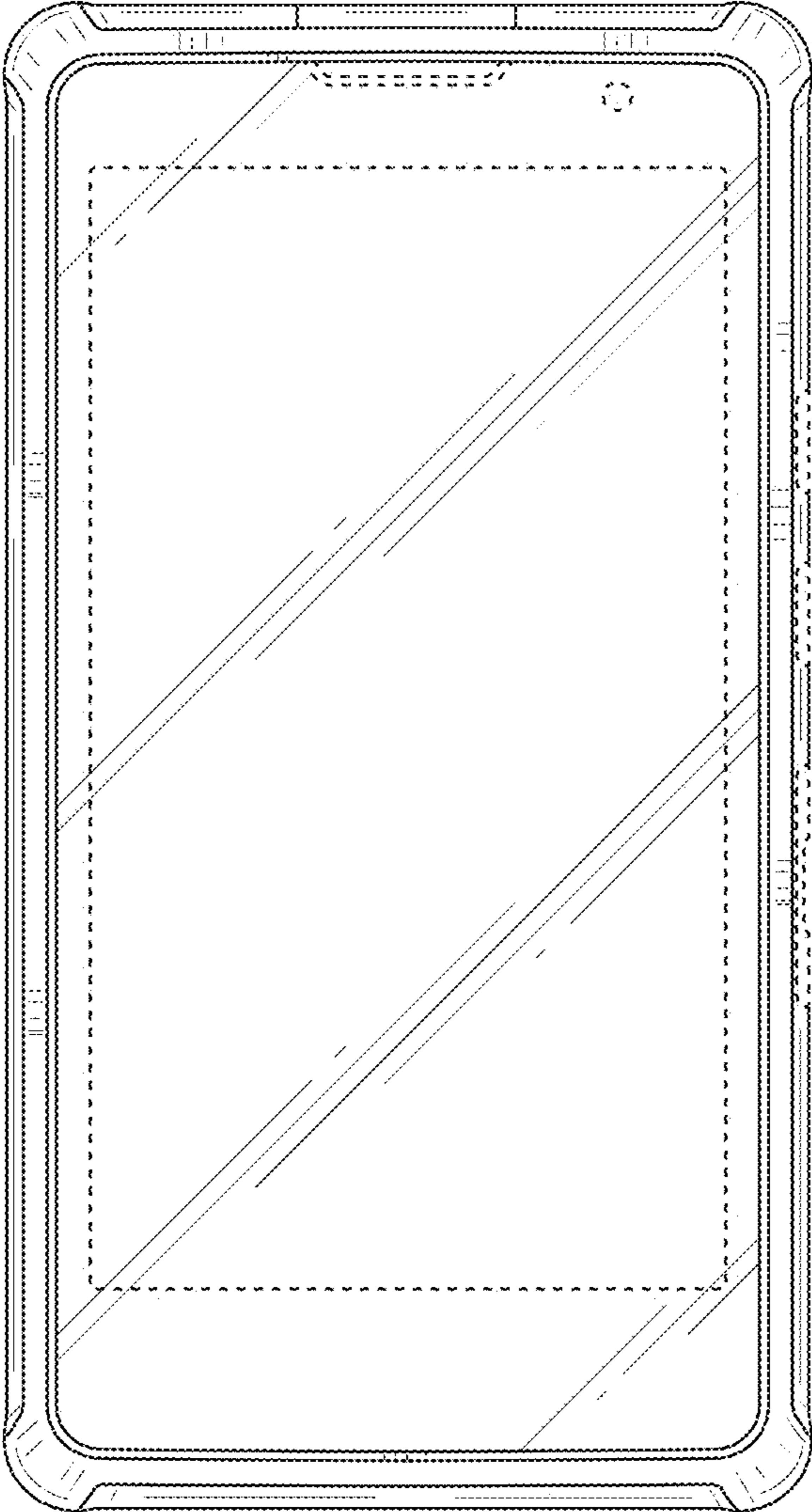


FIG.4

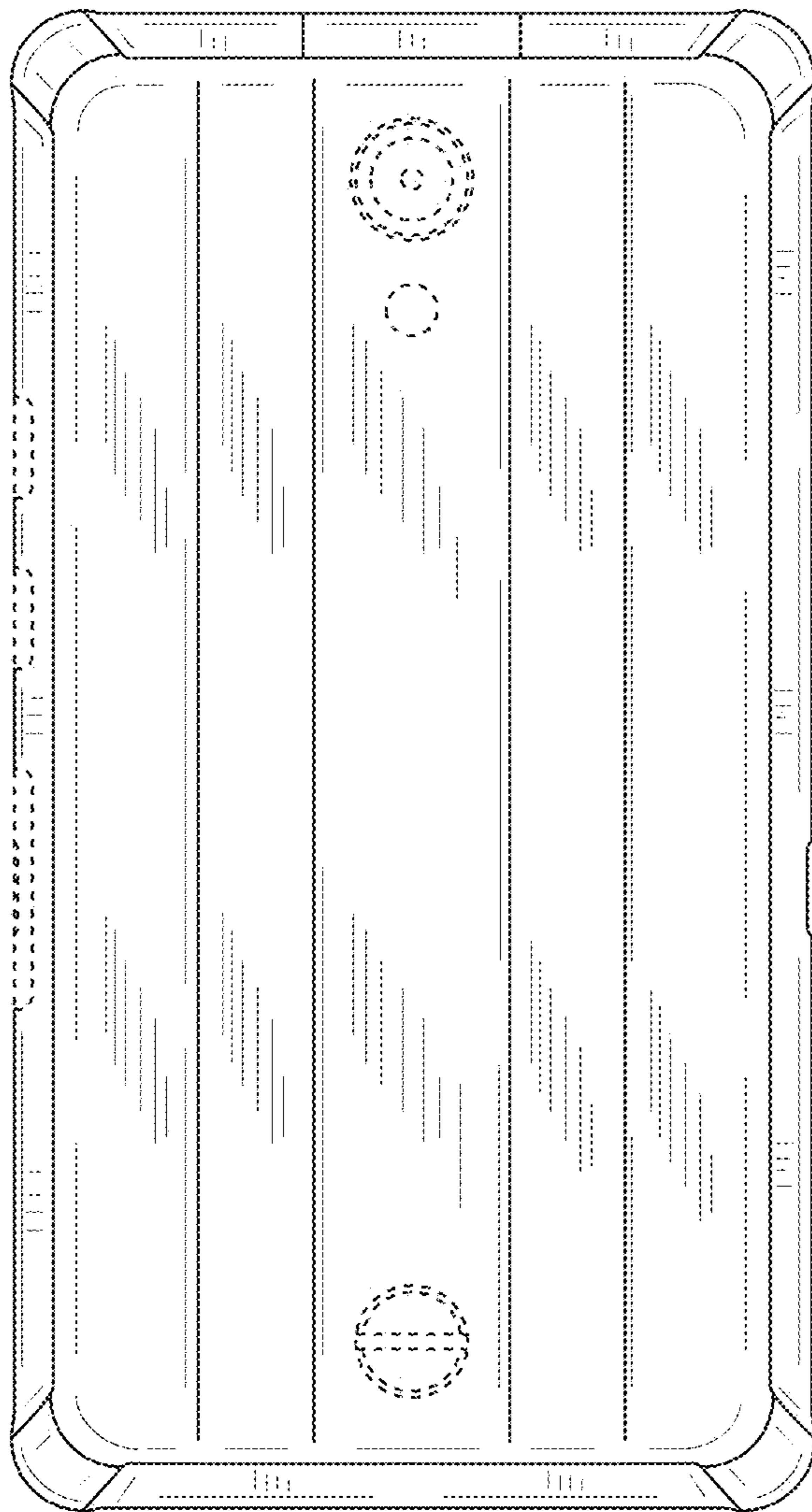


FIG.5

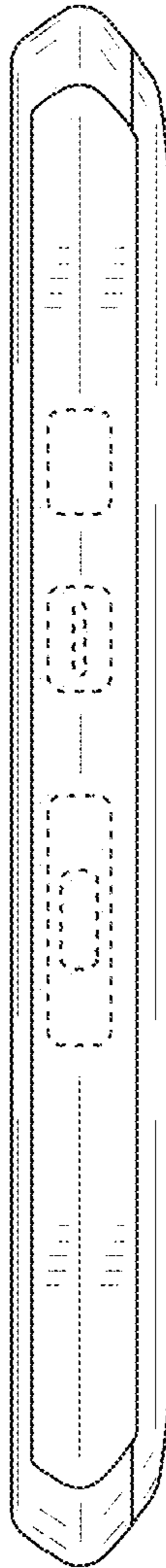


FIG.6

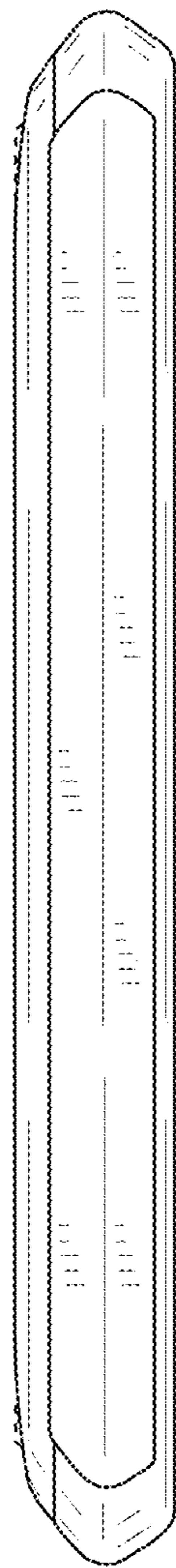


FIG.7

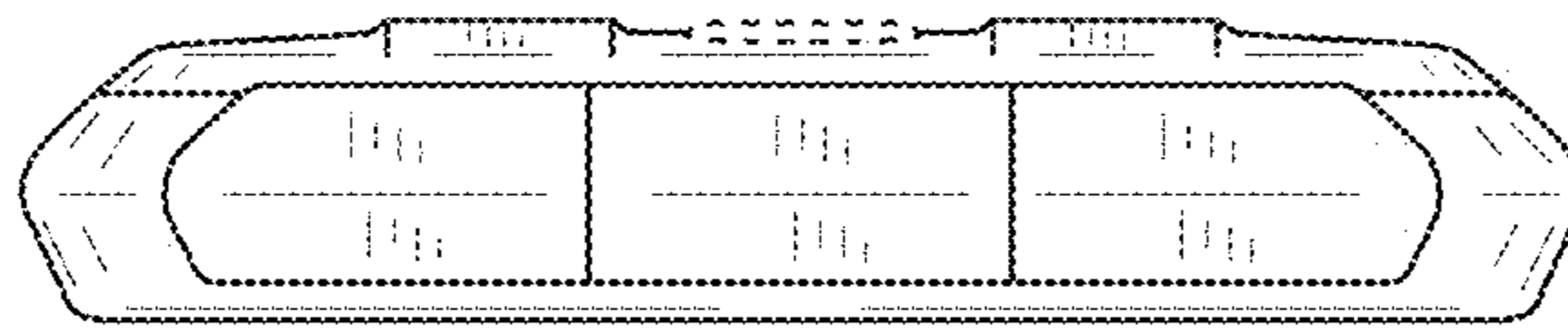


FIG.8

