



US00D707643S

(12) **United States Design Patent**
Park

(10) **Patent No.:** **US D707,643 S**
(45) **Date of Patent:** **** Jun. 24, 2014**

(54) **MOBILE PHONE**

(75) Inventor: **Dae-Yoeb Park**, Gimpo-si (KR)

(73) Assignee: **Samsung Electronics Co., Ltd.**,
Suwon-Si (KR)

(**) Term: **14 Years**

(21) Appl. No.: **29/431,762**

(22) Filed: **Sep. 11, 2012**

(30) **Foreign Application Priority Data**

May 22, 2012 (KR) 30-2012-0025063

(51) **LOC (10) Cl.** **14-03**

(52) **U.S. Cl.**
USPC **D14/138 AB**

(58) **Field of Classification Search**

USPC D14/138 AB, 138 R, 138 AD, 345, 341,
D14/346, 203.1, 203.4, 203.3, 203.7, 143,
D14/248, 218, 138 AA, 138 G, 147;
455/575.1, 556.2, 575.3, 575.4;
D21/517; 379/433.01, 433.04, 433.12,
379/433.13; D10/65, 78, 104.1; D13/168;
361/679.3, 679.56

See application file for complete search history.

(56) **References Cited**

U.S. PATENT DOCUMENTS

D508,035 S * 8/2005 Kim et al. D14/138 AB
D519,971 S * 5/2006 Morita et al. D14/138 AB
7,269,443 B2 * 9/2007 Park et al. 455/556.2
D573,575 S * 7/2008 Song et al. D14/138 AB
D576,600 S * 9/2008 Kim et al. D14/138 AB
D583,794 S * 12/2008 Lee et al. D14/138 AB
D586,325 S * 2/2009 Park et al. D14/138 AB
D599,765 S * 9/2009 Park et al. D14/138 AB
D601,986 S * 10/2009 Hong et al. D14/138 AB
D601,996 S * 10/2009 Jeoung et al. D14/138 AB

D607,857 S * 1/2010 Kim et al. D14/138 AB
D610,121 S * 2/2010 Lee et al. D14/138 AA
D633,494 S * 3/2011 Yang D14/346

(Continued)

OTHER PUBLICATIONS

Samsung C3590 telephone, announced Oct. 2013, [online], [site visited Feb. 3, 2014]. Available from Internet, <URL: http://www.gsmarena.com/samsung_c3590-5846.php>.*

(Continued)

Primary Examiner — Jeffrey D Asch

(74) *Attorney, Agent, or Firm* — Staas & Halsey LLP

(57) **CLAIM**

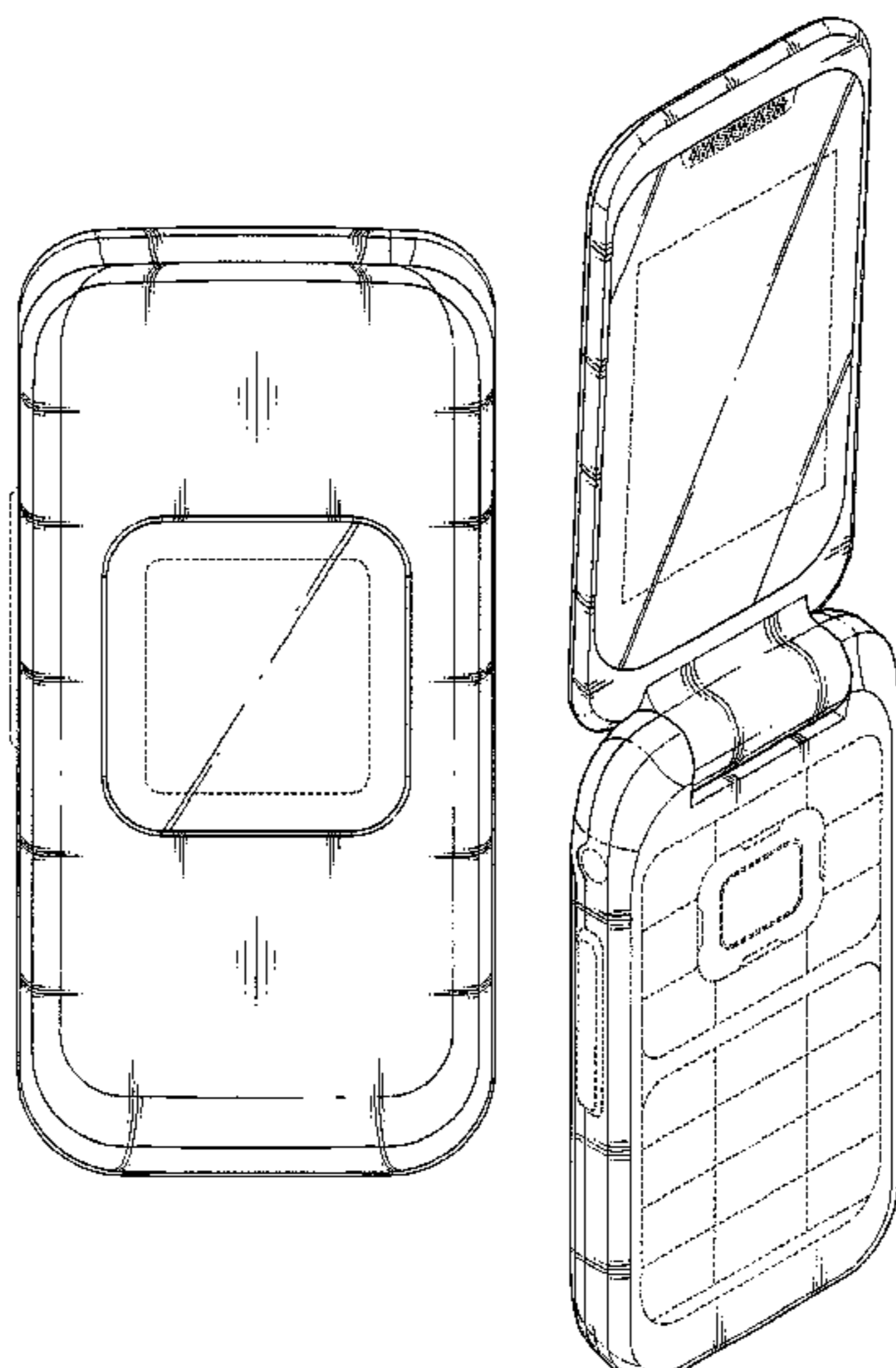
The ornamental design for a mobile phone, as shown and described.

DESCRIPTION

FIG. 1 is a front perspective view of a mobile phone; FIG. 2 is a front view of the mobile phone of FIG. 1; FIG. 3 is a rear view of the mobile phone of FIG. 1; FIG. 4 is a left-side view of the mobile phone of FIG. 1; FIG. 5 is a right-side view of the mobile phone of FIG. 1; FIG. 6 is a top plan view of the mobile phone of FIG. 1; FIG. 7 is a bottom plan view of the mobile phone of FIG. 1; and, FIG. 8 is an open front perspective view of the mobile phone of FIG. 1.

The broken lines shown in the figures that are immediately adjacent to the shaded areas and define regions that are consistently unshaded, represent the bounds of the claim, while all other broken lines, including the displays beneath the transparent panel on the front and on the inner flap, are directed to non-claimed features; the broken lines form no part of the claimed design.

1 Claim, 8 Drawing Sheets



(56)

References Cited

U.S. PATENT DOCUMENTS

D635,542 S	*	4/2011	Park et al.	D14/138 AB
D645,019 S	*	9/2011	Kim et al.	D14/138 AB
D647,874 S	*	11/2011	Park	D14/138 AB
D648,306 S	*	11/2011	Koh	D14/138 AB
D652,014 S	*	1/2012	Kim et al.	D14/138 AB
D666,568 S	*	9/2012	Puranen	D14/138 AB
D681,587 S	*	5/2013	Youn	D14/138 AB

OTHER PUBLICATIONS

Samsung M260 Factor telephone, announced Mar. 2011, [online], [site visited Feb. 3, 2014]. Available from Internet, <URL: http://www.gsmarena.com/samsung_m260_factor-3878.php>.*

Samsung E1190 telephone, announced Jul. 2011, [online], [site visited Feb. 3, 2014]. Available from Internet, <URL: http://www.gsmarena.com/samsung_e1190-4034.php>.*

Samsung C414 telephone, announced Jun. 2011, [online], [site visited Feb. 3, 2014]. Available from Internet, <URL: http://www.gsmarena.com/samsung_c414-4056.php>.*

Pantech Breeze III telephone, announced Jul. 2011, [online], [site visited Feb. 3, 2014]. Available from Internet, <URL: http://www.gsmarena.com/pantech_breeze_iii-4075.php>.*

LG MG295 telephone, announced Jan. 2008, [online], [site visited Feb. 3, 2014]. Available from Internet, <URL: http://www.gsmarena.com/lg_mg295-2406.php>.*

LG U8210 telephone, announced 1q/2005, [online], [site visited Feb. 3, 2014]. Available from Internet, <URL: http://www.gsmarena.com/lg_u8210-1111.php>.*

Samsung T139 telephone, announced Nov. 2009, [online], [site visited Feb. 3, 2014]. Available from Internet, <URL: http://www.gsmarena.com/samsung_t139-3123.php>.*

* cited by examiner

FIG. 1

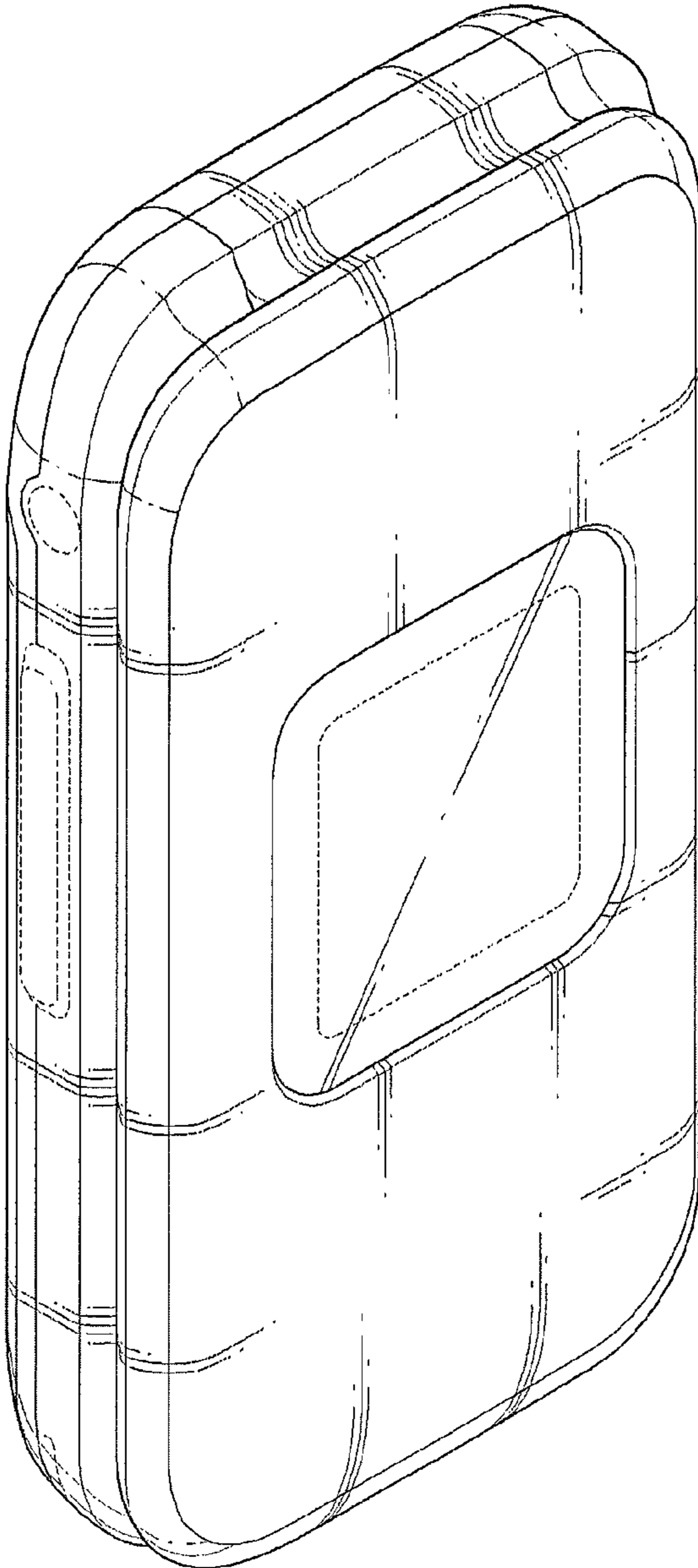


FIG. 2

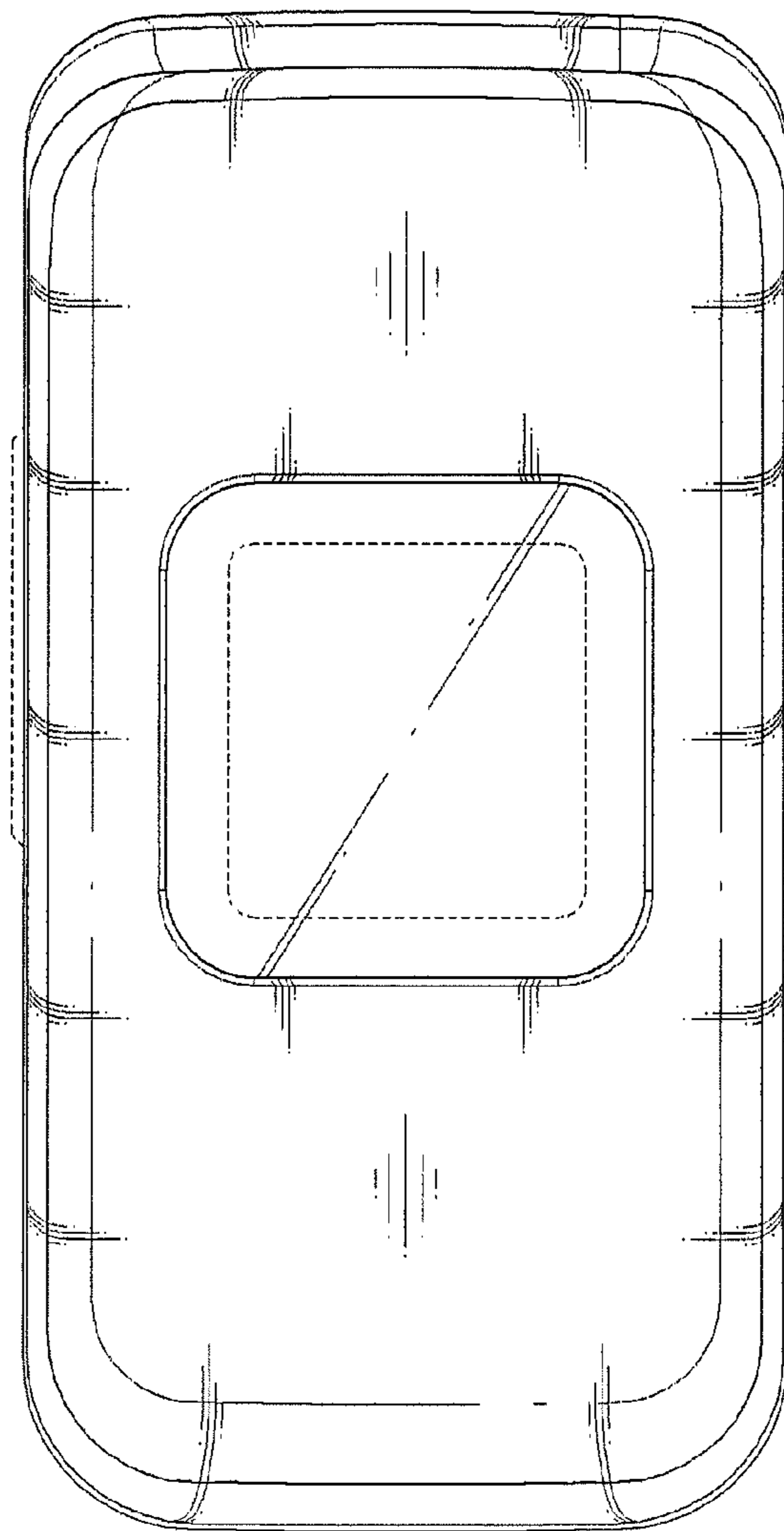


FIG. 3

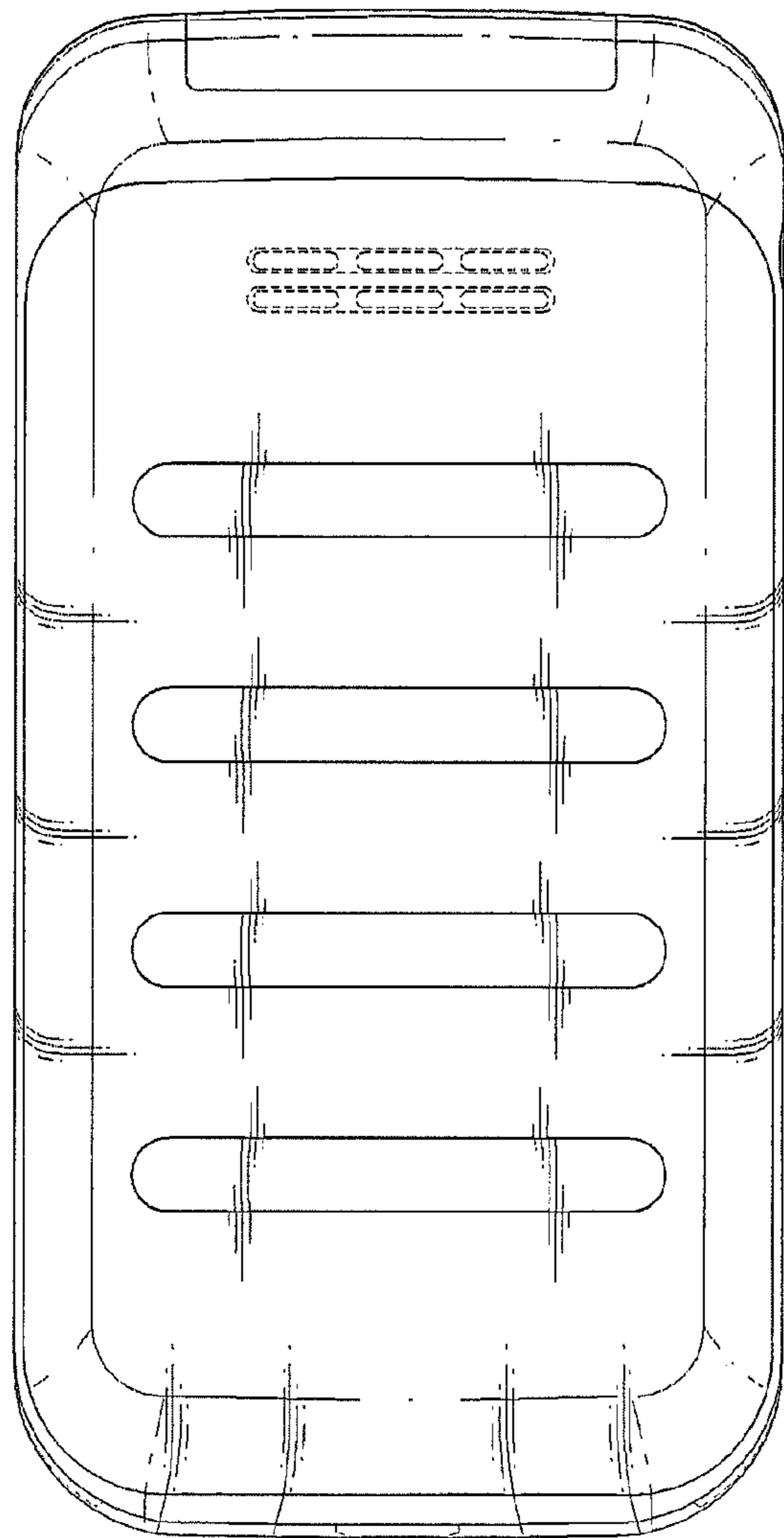


FIG. 4

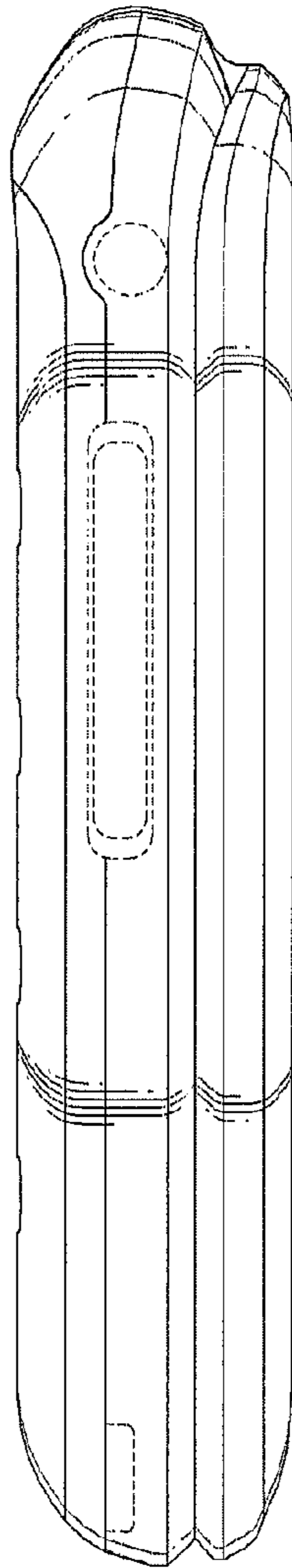


FIG. 5

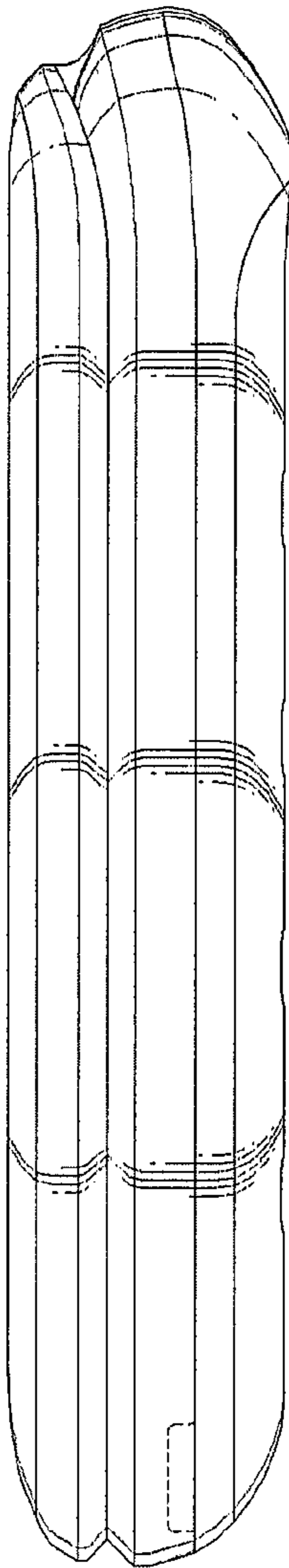


FIG. 6

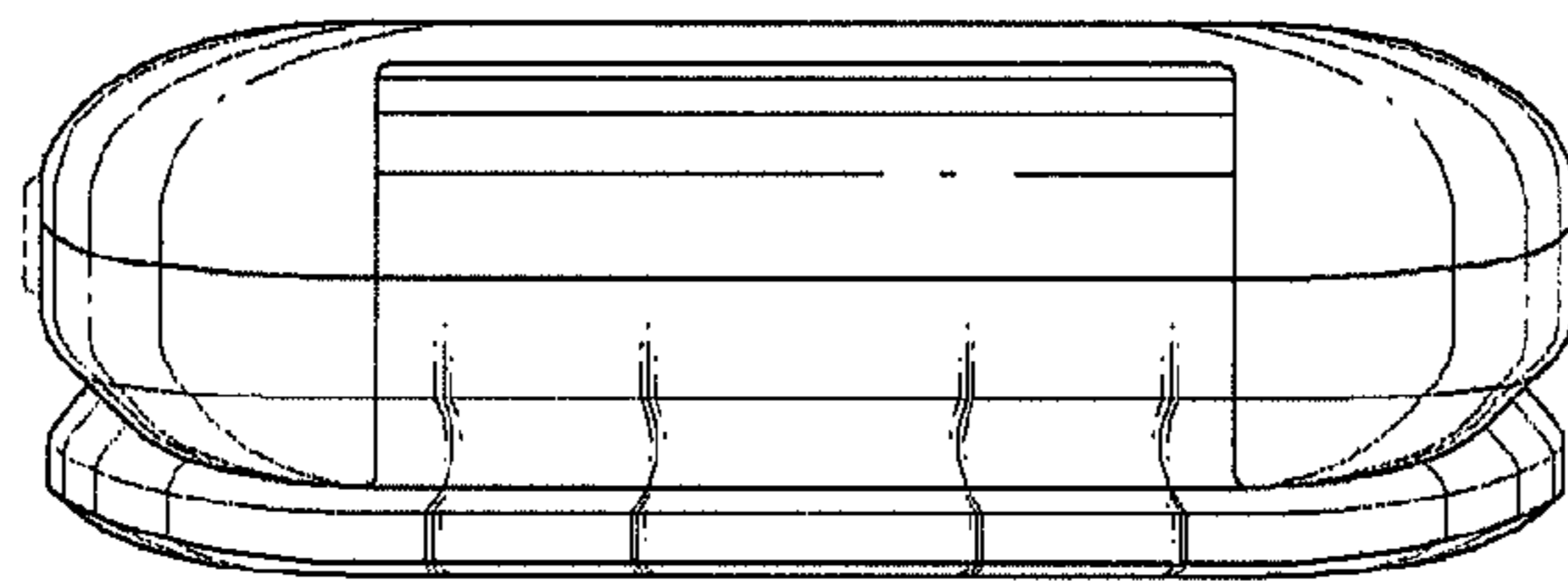


FIG. 7

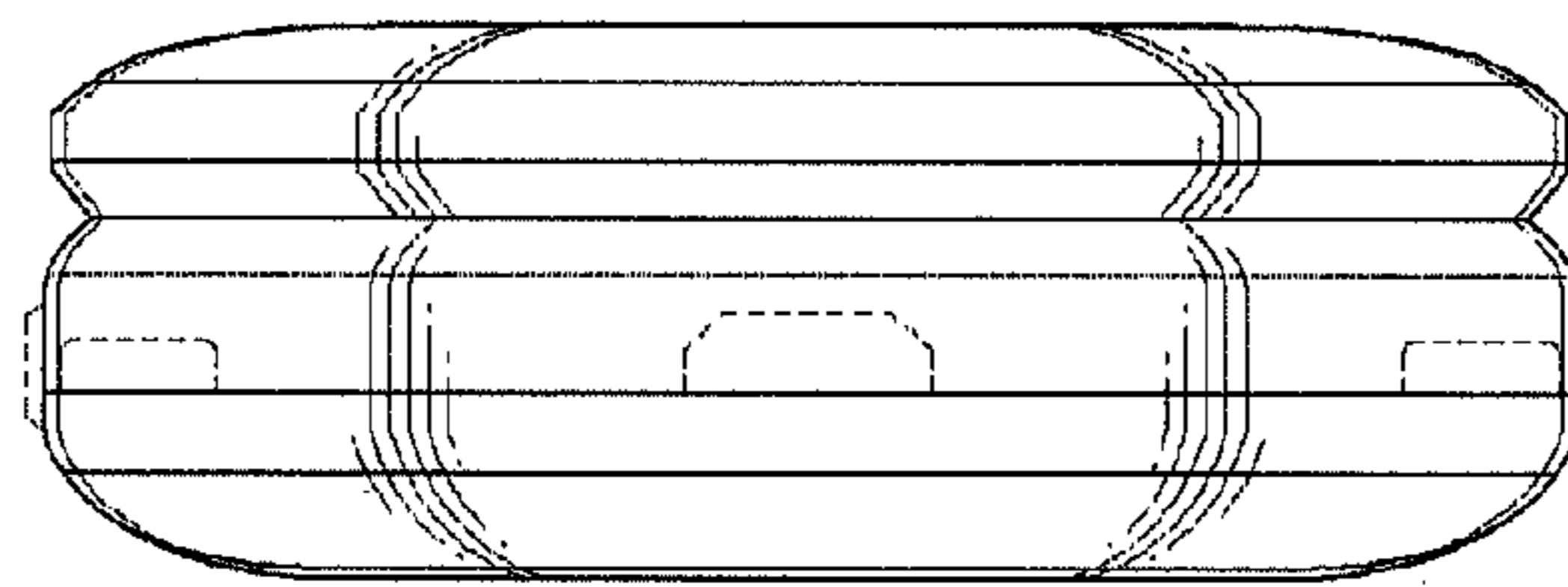


FIG. 8

