



US00D707638S

(12) **United States Design Patent**
Bhosale et al.

(10) **Patent No.:** **US D707,638 S**
(45) **Date of Patent:** **** *Jun. 24, 2014**

(54) **FRAMELESS TOGGLE SWITCH WITH DIMMER WHEEL**

(75) Inventors: **Vikramsinh P. Bhosale**, Syracuse, NY (US); **Gerald R. Savicki, Jr.**, Canastota, NY (US); **Thomas N. Packard**, Syracuse, NY (US); **Daniel P. Malley**, Freeville, NY (US)

(73) Assignee: **Pass & Seymour, Inc.**, Syracuse, NY (US)

(*) Notice: This patent is subject to a terminal disclaimer.

(**) Term: **14 Years**

(21) Appl. No.: **29/411,726**

(22) Filed: **Jan. 25, 2012**

Related U.S. Application Data

(63) Continuation of application No. 29/352,130, filed on Dec. 17, 2009, now abandoned.

(51) **LOC (10) Cl.** **13-03**

(52) **U.S. Cl.**

USPC **D13/169; D13/174**

(58) **Field of Classification Search**

USPC D13/169, 171, 174; 200/330, 335, 336, 200/339, 329, 302.2, 315, 401; 307/125, 307/139; 338/176, 178

See application file for complete search history.

(56) **References Cited**

U.S. PATENT DOCUMENTS

2,214,317 A * 9/1940 Bash et al. 200/315
2,382,738 A 8/1945 Moyes

(Continued)

Primary Examiner — Selina Sikder

(74) *Attorney, Agent, or Firm* — Daniel P. Malley; Bond Schoeneck & King, PLLC

(57) **CLAIM**

The ornamental design for a frameless toggle switch and dimmer wheel, as shown and described.

DESCRIPTION

FIG. 1 is a front perspective view illustrating the frameless toggle switch and serrated dimmer wheel depicted in the

context of its environment by claiming a surface of a cover plate adjacent to the frameless toggle switch and serrated dimmer wheel, with broken lines showing the remaining portion of the cover plate and cover screws for illustrative purposes only;

FIG. 2 is a front view of the frameless toggle switch and dimmer wheel embodiment depicted in FIG. 1, the frameless toggle switch and serrated dimmer wheel depicted in the context of its environment by claiming a surface of a cover plate adjacent to the frameless toggle switch and serrated dimmer wheel, with broken lines showing the remaining portion of the cover plate and cover screws for illustrative purposes only;

FIG. 3 is a left side view of the frameless toggle switch and dimmer wheel depicted in FIG. 1;

FIG. 4 is a right side view of the frameless toggle switch and dimmer wheel depicted in FIG. 1;

FIG. 5 is a top view of the frameless toggle switch and dimmer wheel depicted in FIG. 1;

FIG. 6 is a bottom view of the frameless toggle switch and dimmer wheel depicted in FIG. 1;

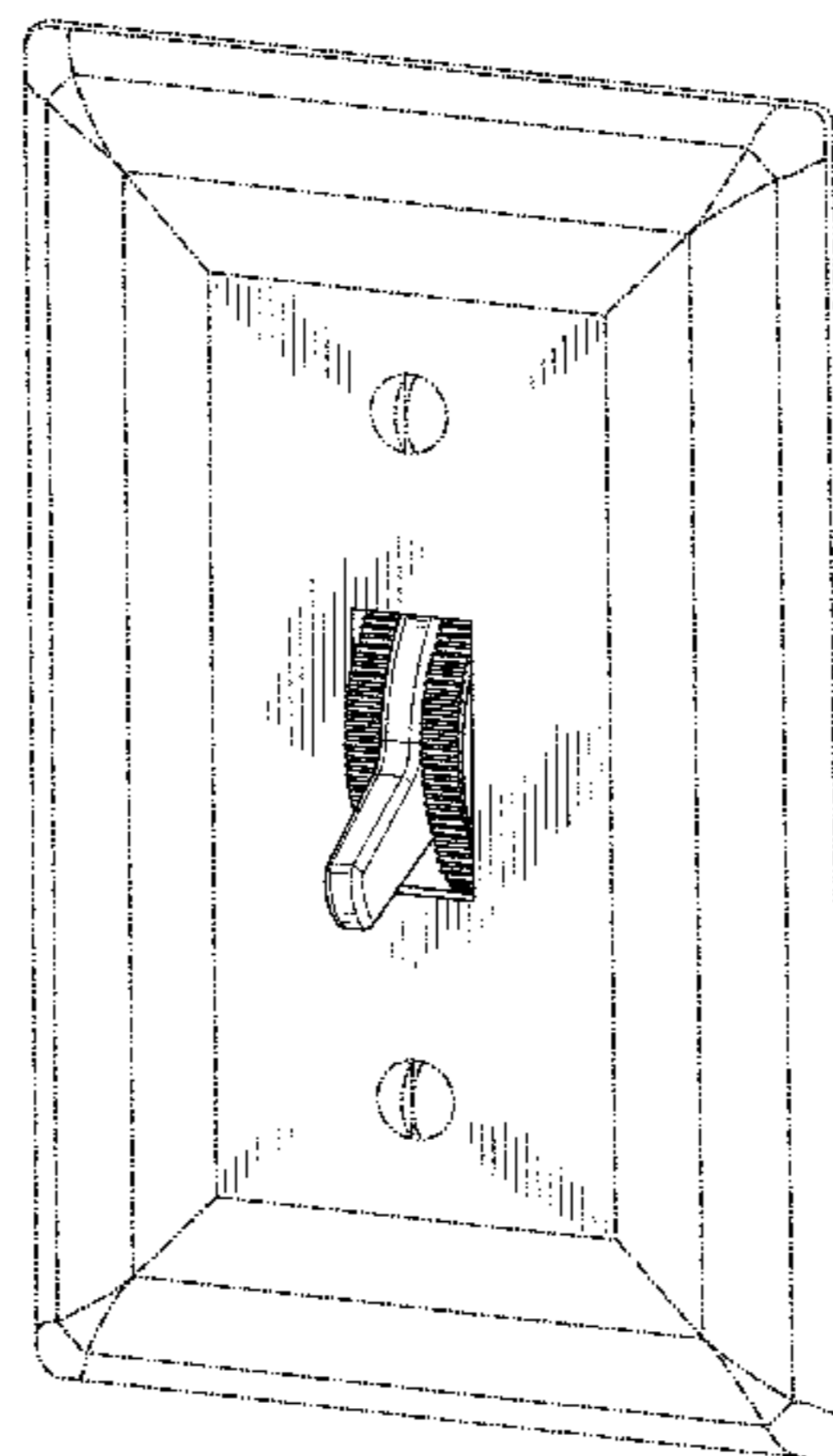
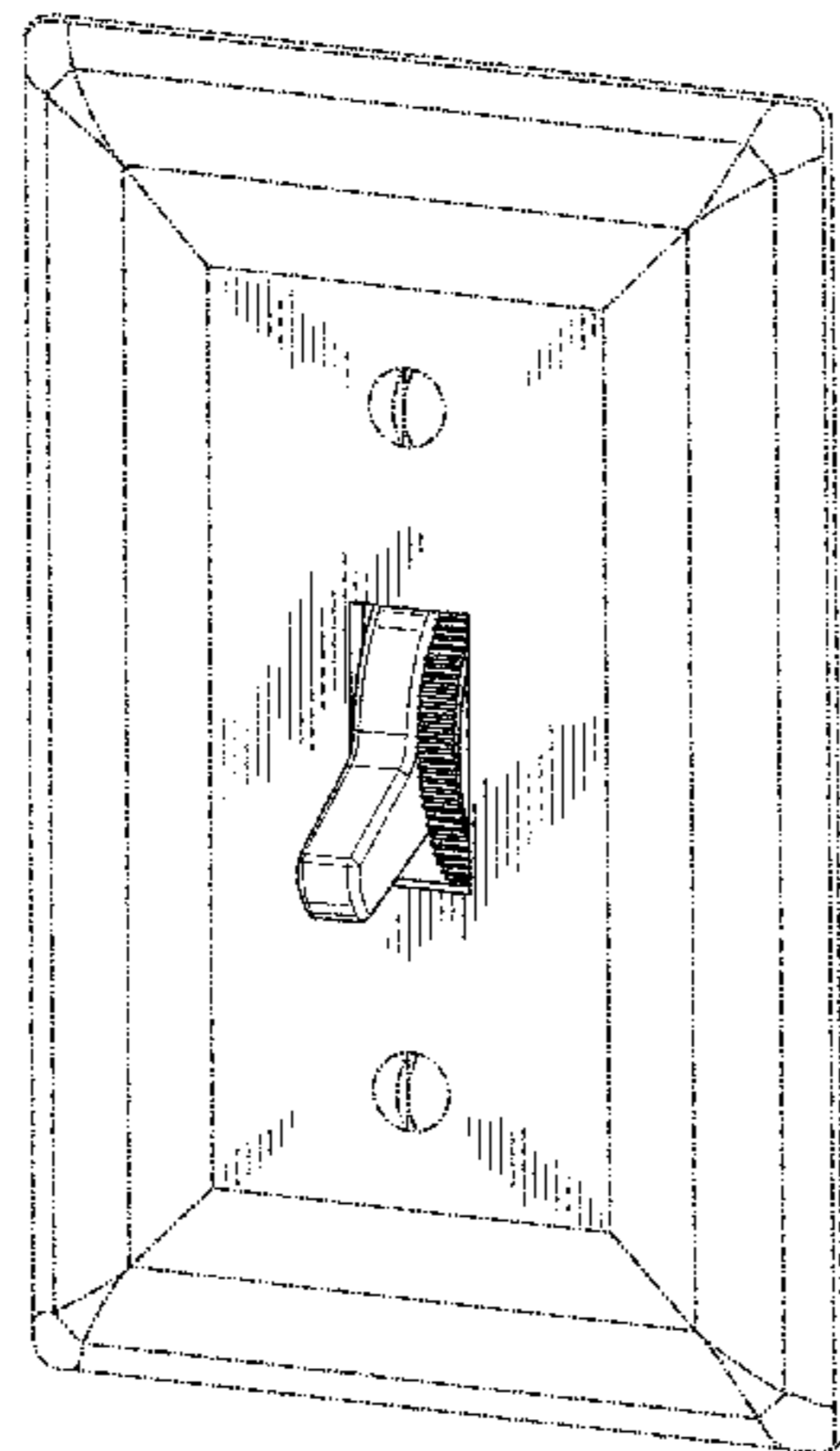
FIG. 7 is a front perspective view of a second embodiment illustrating the frameless toggle switch and serrated wheels on either side of the toggle switch depicted in the context of its environment by claiming a surface of a cover plate adjacent to the frameless toggle switch and serrated dimmer wheels, with broken lines showing the remaining portion of the cover plate and cover screws for illustrative purposes only;

FIG. 8 is a front perspective view of the third embodiment illustrating the frameless toggle switch and serrated dimmer wheel, the serrated dimmer wheel having an indicia design, the frameless toggle switch and serrated dimmer wheel being depicted in the context of its environment by claiming a surface of a cover plate adjacent to the frameless toggle switch and serrated dimmer wheel, with broken lines showing the remaining portion of the cover plate and cover screws for illustrative purposes only; and,

FIG. 9 is a detail view of the serrated dimmer wheel and the indicia design that is depicted in FIG. 8.

As noted in the specification above, the cover screws and portions of the cover plate are shown with broken lines for the purpose of illustrating environmental structure and forms no part of the claimed design.

1 Claim, 7 Drawing Sheets



(56)

References Cited

U.S. PATENT DOCUMENTS

2,512,975 A * 6/1950 Sherrard 200/315
 D188,324 S * 7/1960 Brown D10/103
 4,009,797 A * 3/1977 Lee 220/242
 4,117,445 A * 9/1978 Foreman et al. 338/198
 4,221,941 A 9/1980 Genovese
 4,258,349 A 3/1981 Flory
 4,350,903 A 9/1982 Jimerson et al.
 D268,564 S * 4/1983 Mack D8/353
 4,389,552 A 6/1983 Sorenson
 4,540,984 A * 9/1985 Waldman 315/225
 4,567,375 A * 1/1986 Jimerson et al. 307/98
 5,262,678 A * 11/1993 Flowers et al. 307/125

D342,234 S * 12/1993 Graybill et al. D13/169
 5,359,231 A 10/1994 Flowers et al.
 5,637,930 A * 6/1997 Rowen et al. 307/112
 5,660,459 A * 8/1997 Appelberg 362/84
 5,669,484 A * 9/1997 Paulson 200/43.22
 D402,270 S * 12/1998 Garrity, Sr. D13/174
 6,774,328 B2 * 8/2004 Adams et al. 200/329
 D523,402 S * 6/2006 Lombardi et al. D13/171
 D526,969 S * 8/2006 Spira D13/171
 D566,052 S * 4/2008 Ochs et al. D13/170
 7,595,722 B2 * 9/2009 Heimermann et al. 340/461
 D603,809 S * 11/2009 Mathew et al. D13/169
 D680,974 S * 4/2013 Falkenberg D13/174
 2007/0051606 A1 * 3/2007 Sallam et al. 200/336
 2007/0272532 A1 * 11/2007 Pessina et al. 200/333

* cited by examiner

Fig. 1

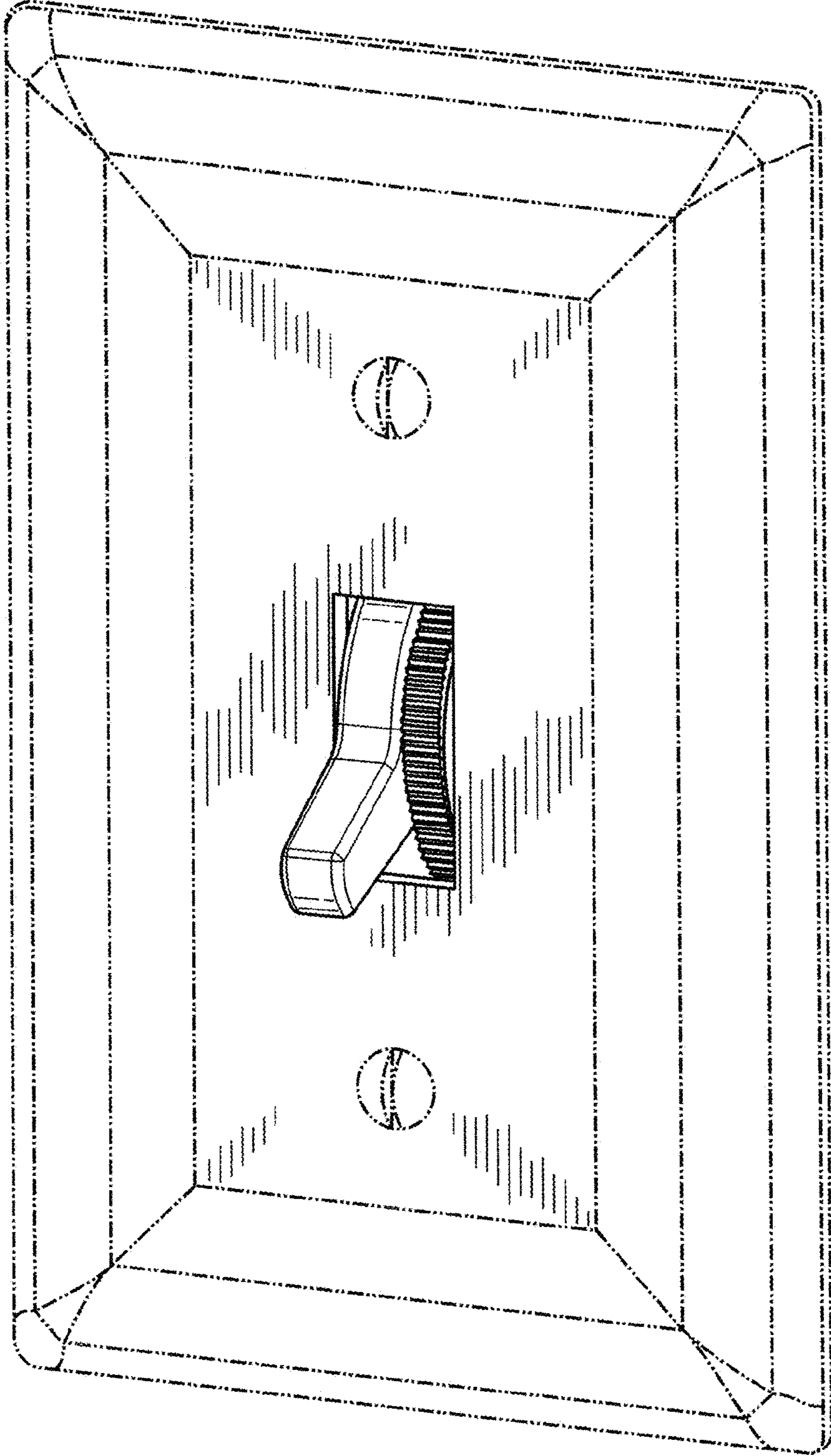
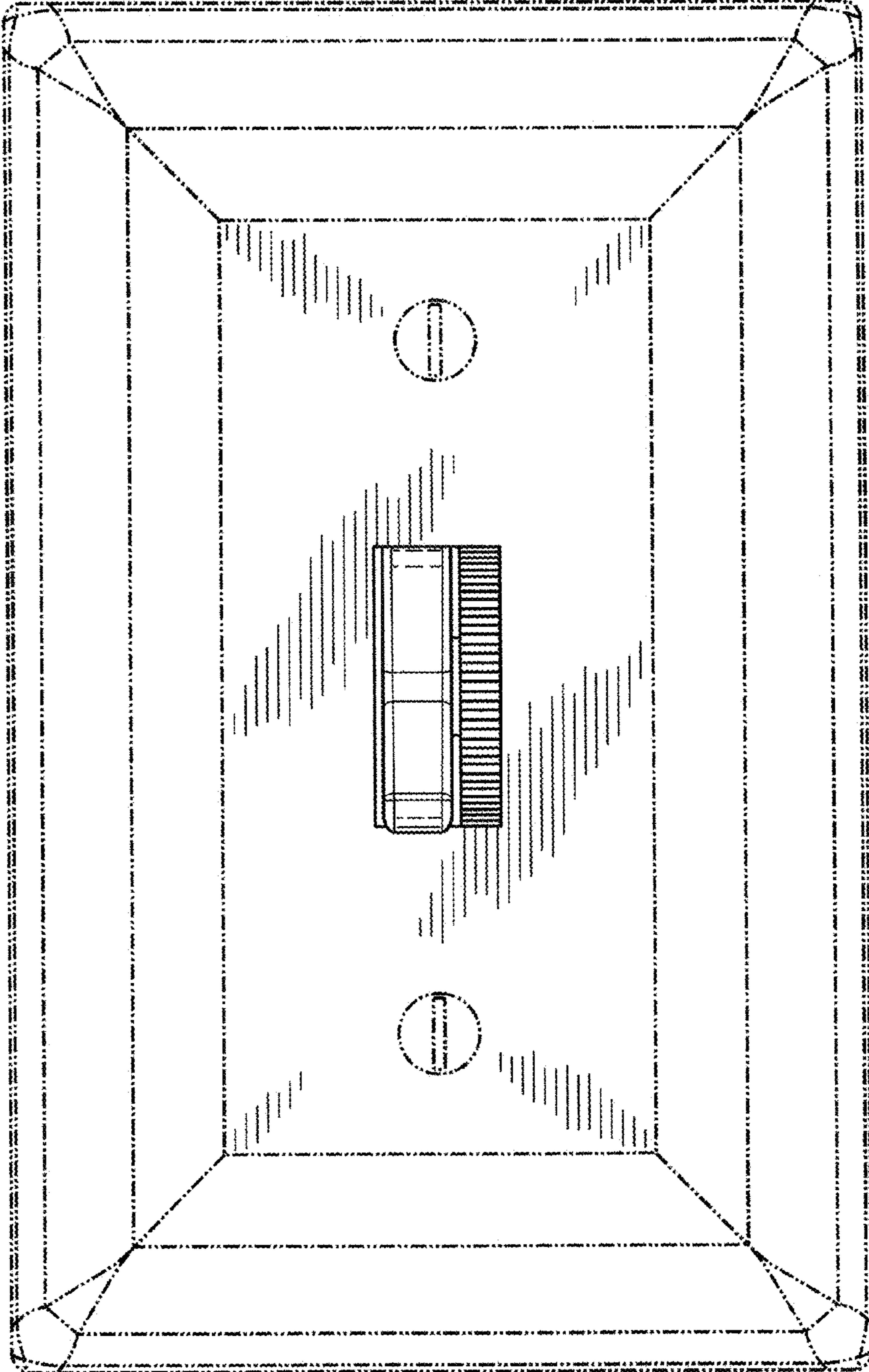


Fig. 2



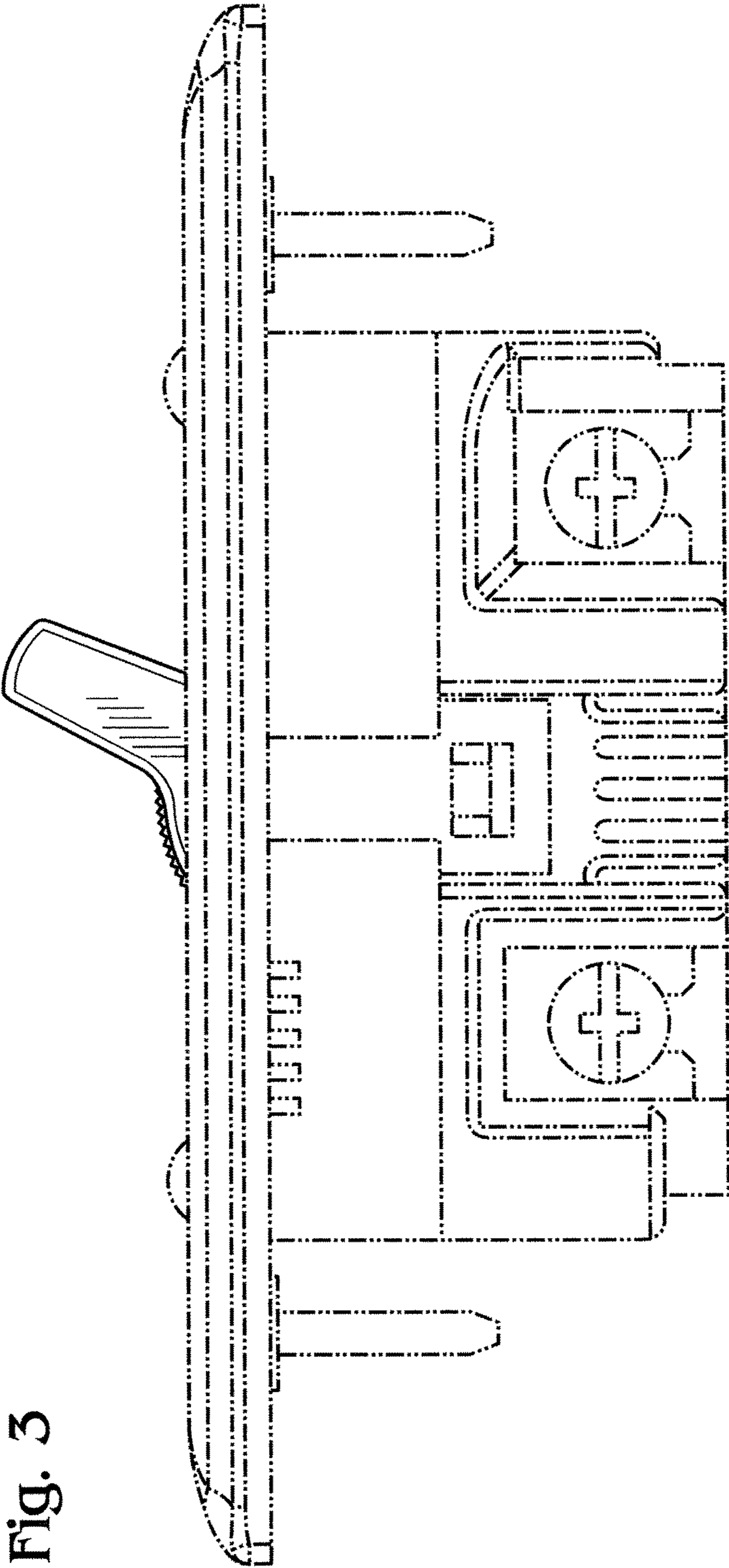


Fig. 3

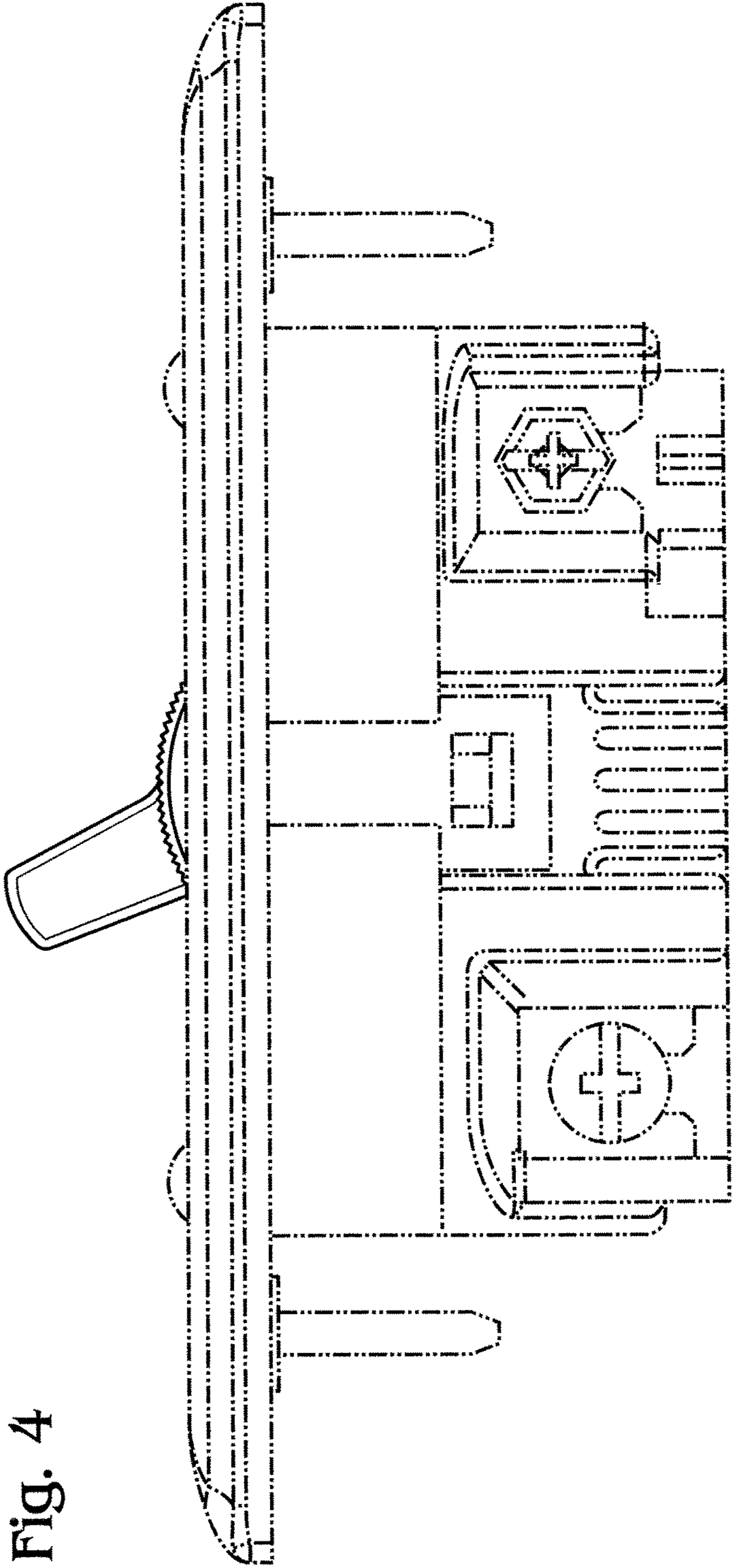


Fig. 4

Fig. 5

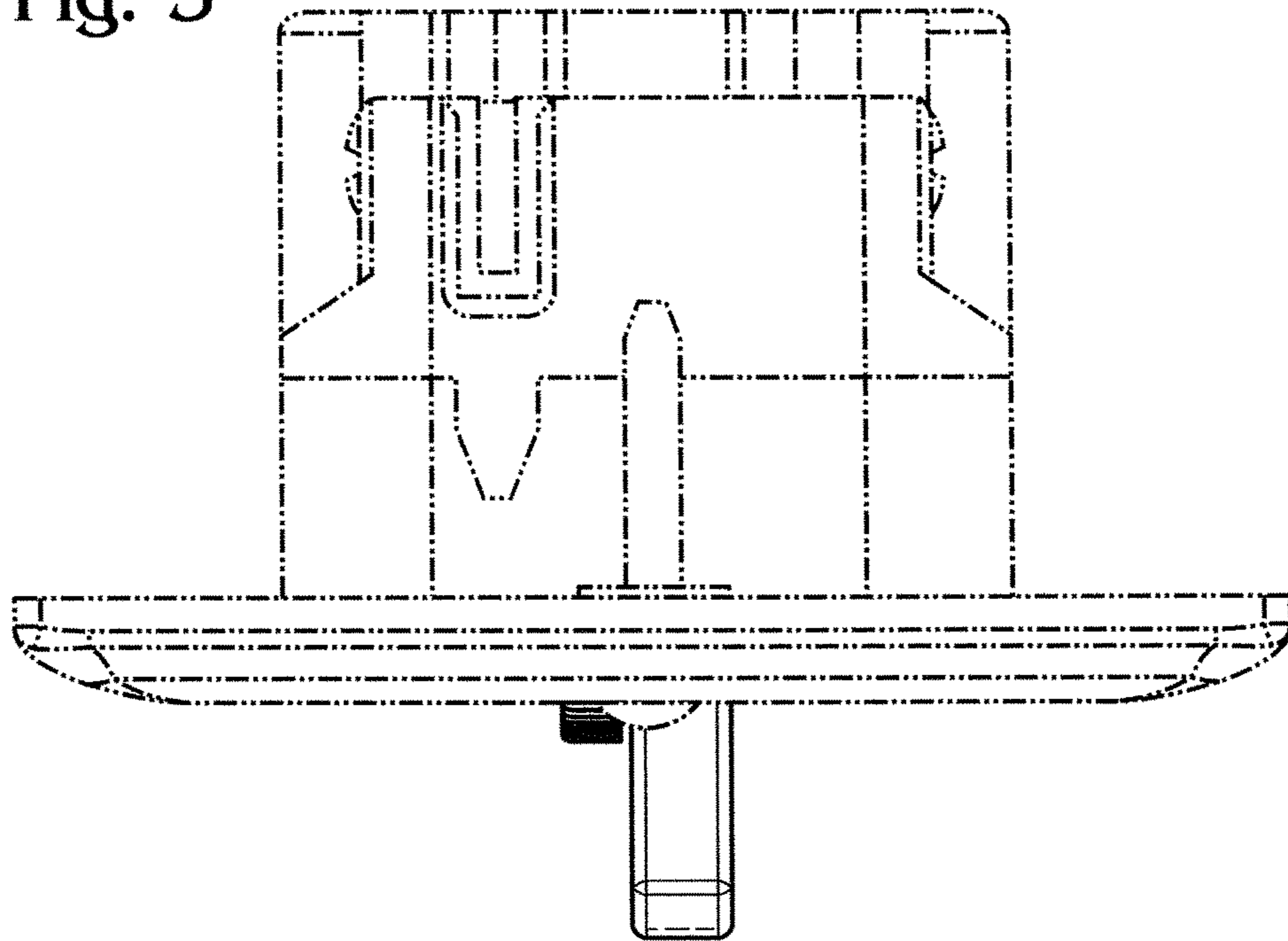


Fig. 6

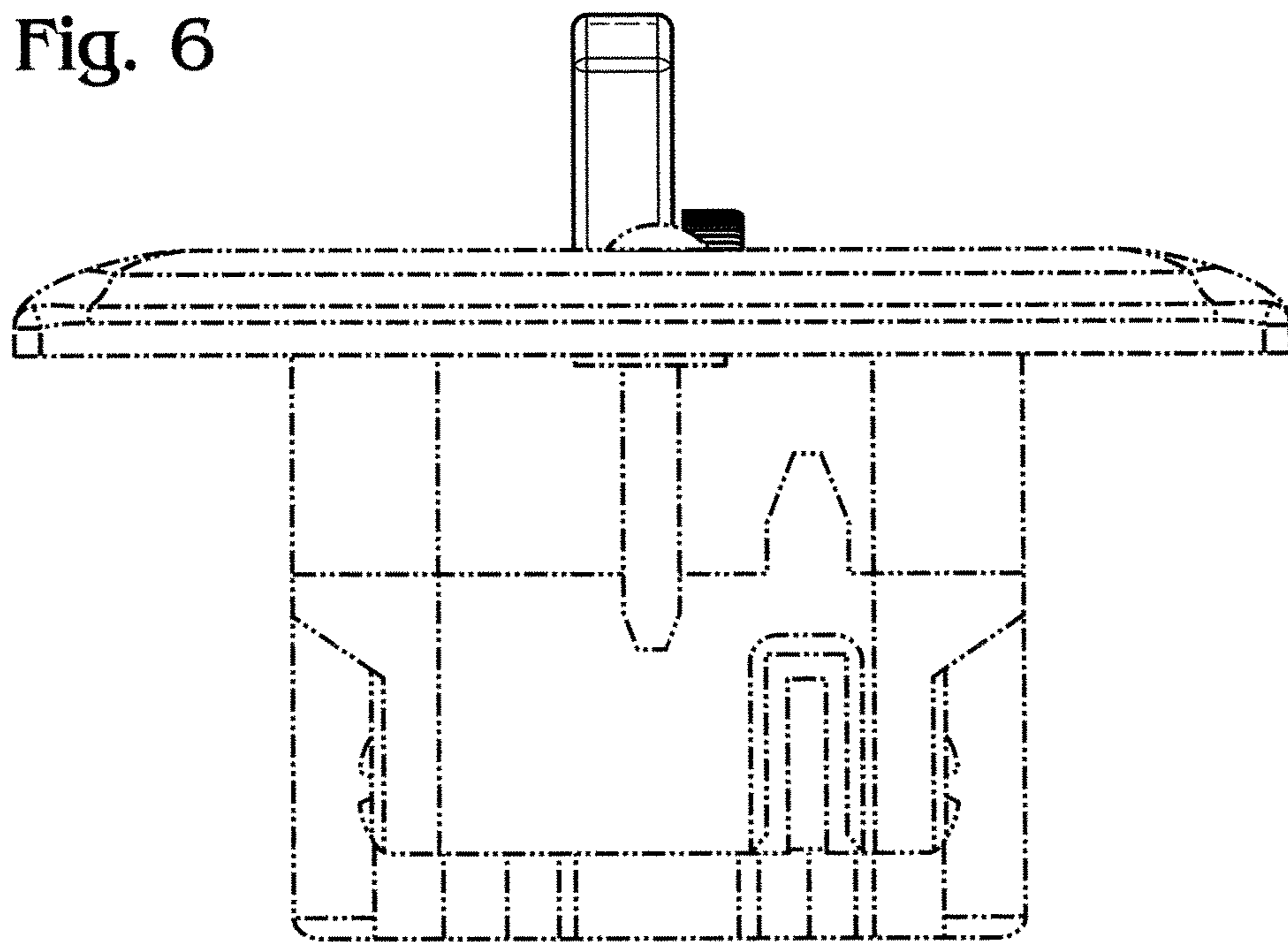
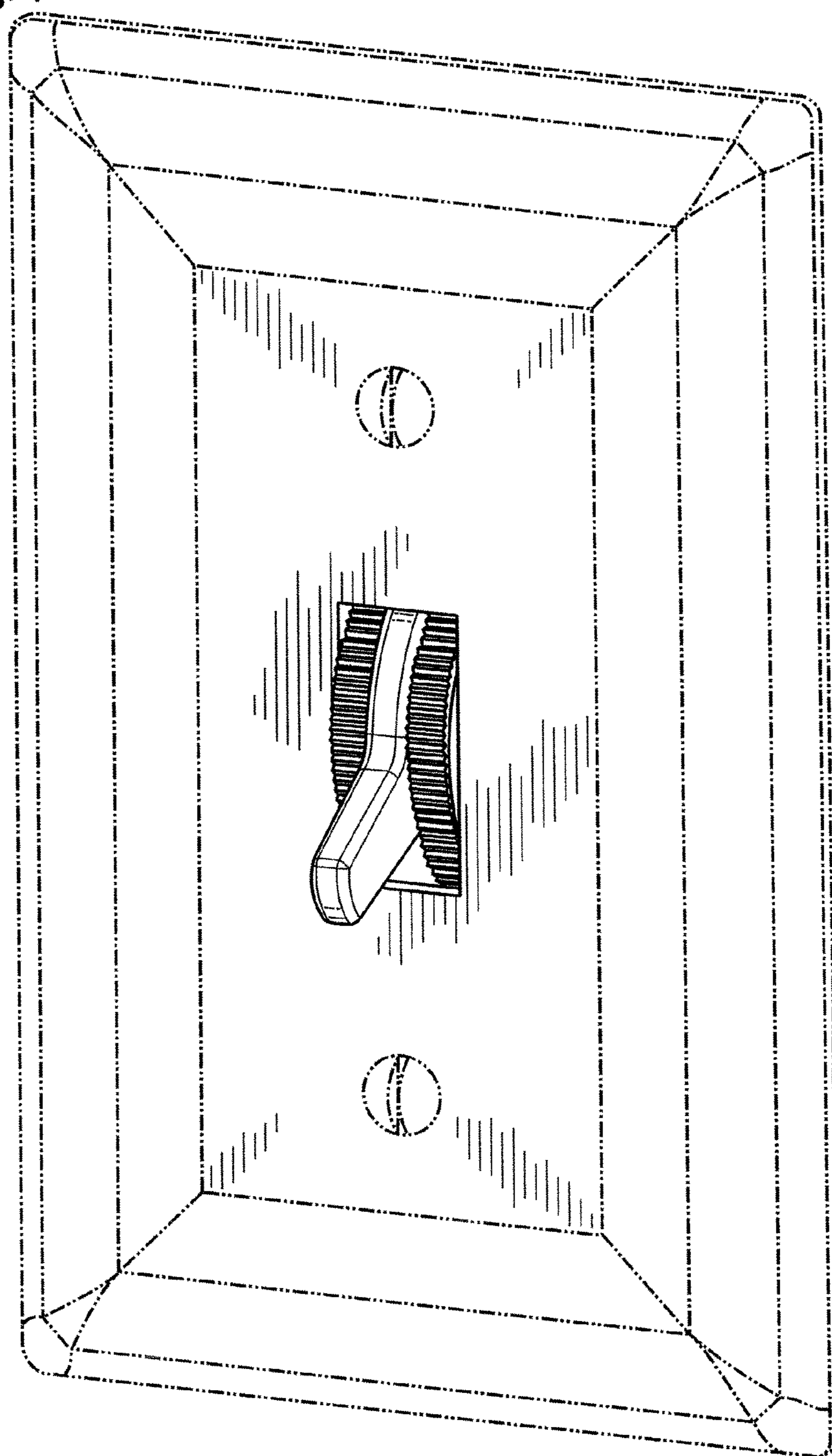


Fig. 7



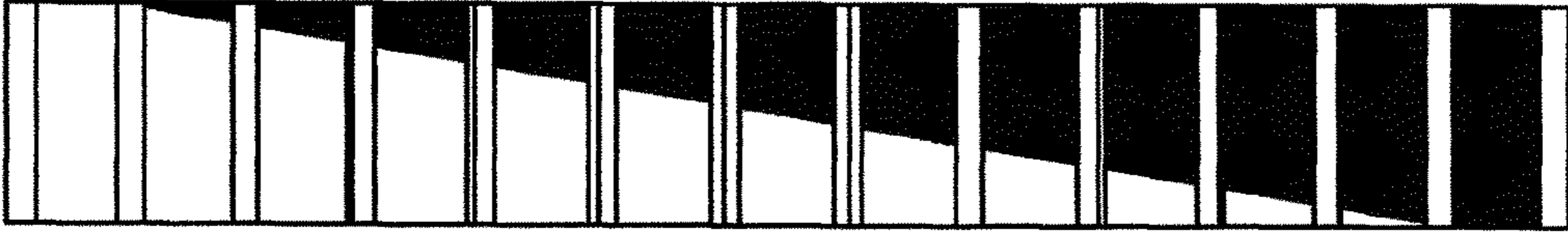


Fig. 9

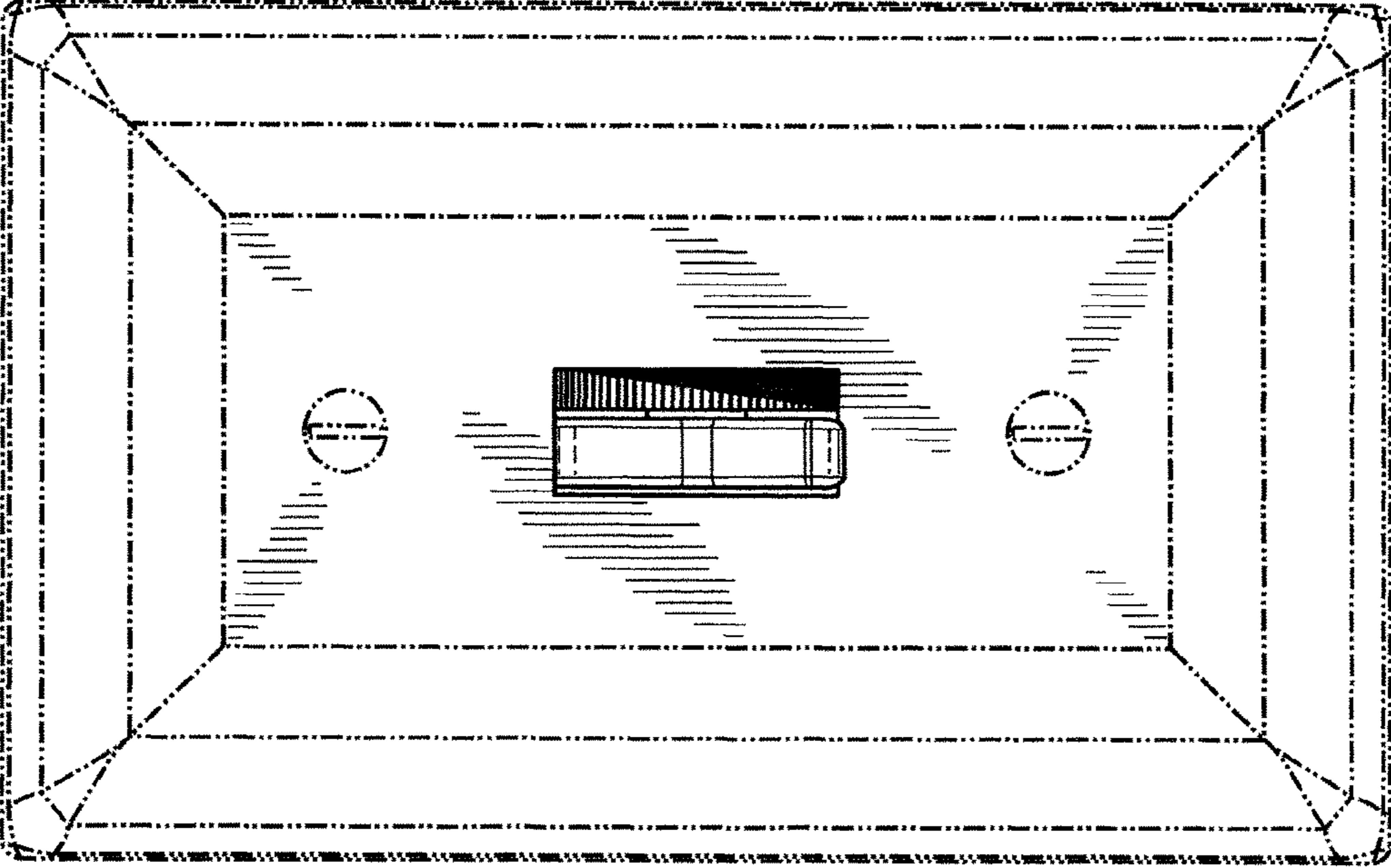


Fig. 8