



US00D707637S

(12) **United States Design Patent**
Feldstein et al.

(10) **Patent No.:** **US D707,637 S**
(45) **Date of Patent:** **** *Jun. 24, 2014**

(54) **WALL MOUNTED BUTTON PANEL WITH SPLIT BUTTONS**

(71) Applicants: **George Feldstein**, Cresskill, NJ (US);
Stanley Wisniewski, Pompton Plains, NJ (US)

(72) Inventors: **George Feldstein**, Cresskill, NJ (US);
Stanley Wisniewski, Pompton Plains, NJ (US)

(73) Assignee: **Crestron Electronics Inc.**, Rockleigh, NJ (US)

(*) Notice: This patent is subject to a terminal disclaimer.

(**) Term: **14 Years**

(21) Appl. No.: **29/441,333**

(22) Filed: **Jan. 3, 2013**

(51) **LOC (10) Cl.** **13-03**

(52) **U.S. Cl.**
USPC **D13/162; D13/171**

(58) **Field of Classification Search**
USPC D13/162, 164, 171, 174; 174/66;
307/139, 157; 315/209 R, 224, 246,
315/291, 294, 295; 200/5 R, 5 A, 302.2, 520,
200/530, 293, 296, 308, 310, 314, 329,
200/341; 220/241

See application file for complete search history.

(56) **References Cited**

U.S. PATENT DOCUMENTS

4,529,951 A	7/1985	Youichi
D285,066 S	8/1986	Liss et al.
D287,242 S	12/1986	Liss et al.
4,716,357 A	12/1987	Cooper
4,728,866 A	3/1988	Capewell
4,876,498 A	10/1989	Luchaco
4,888,494 A	12/1989	McNair et al.

4,954,768 A	9/1990	Luchaco et al.
D311,382 S	10/1990	Mayo et al.
D311,485 S	10/1990	Jacoby et al.
D311,678 S	10/1990	Graef et al.
D313,738 S	1/1991	Mayo et al.
D319,429 S	8/1991	D'Aleo et al.
D327,255 S	6/1992	D'Aleo et al.
D336,744 S	6/1993	Kahn et al.
5,260,669 A	11/1993	Higgins et al.
D344,264 S	2/1994	D'Aleo et al.
5,289,043 A	2/1994	Marshall et al.

(Continued)

OTHER PUBLICATIONS

Crestron Electronics, Inc., *Cameo Keypads Operations and Installation Guide*, Feb. 2006, pp. front, cover, i, 1-8, rear cover.
Exhibit A—*Lutron Electronics v. Crestron Electronics CV 2:09-cv-07*, Third Amended Complaint.

Primary Examiner — Selina Sikder

(74) *Attorney, Agent, or Firm* — Crestron Electronics Inc.

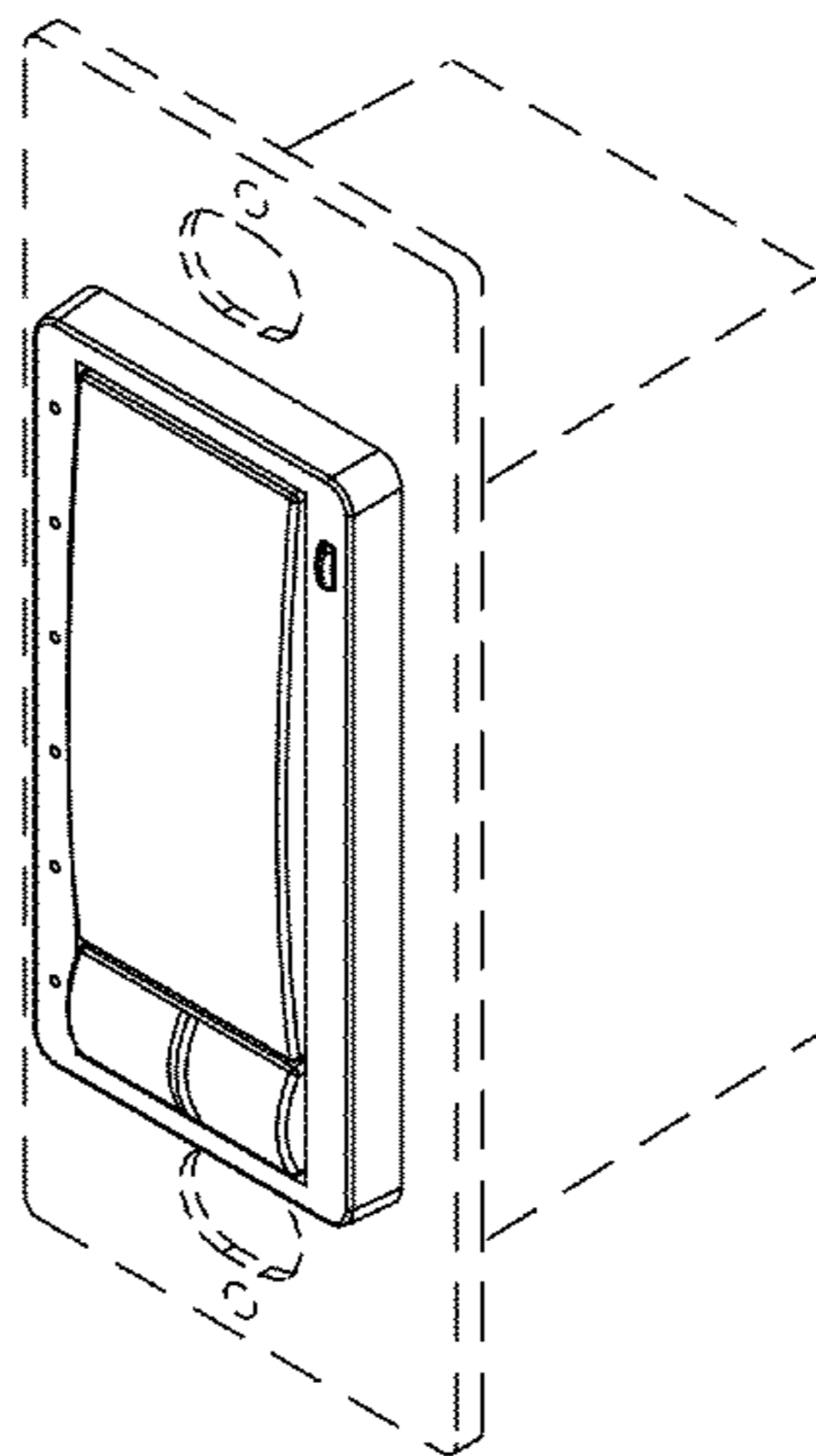
(57) **CLAIM**

The ornamental design for a wall mounted button panel with split buttons, as shown and described.

DESCRIPTION

FIG. 1 shows a front elevational view of a wall mounted button panel with split buttons.
FIG. 2 shows an isometric projection of the wall mounted button panel with split buttons.
FIG. 3 shows a left side elevational view of the wall mounted button panel with split buttons.
FIG. 4 shows a right side elevational view of the wall mounted button panel with split buttons.
FIG. 5 shows a top plan view of the wall mounted button panel with split buttons; and,
FIG. 6 shows a bottom plan view of the wall mounted button panel with split buttons.
The broken line portion of the figure drawings is included to show unclaimed subject matter only and forms no part of the claimed design.

1 Claim, 4 Drawing Sheets



(56)

References Cited

U.S. PATENT DOCUMENTS

5,293,308 A	3/1994	Boys et al.	D580,882 S	11/2008	Hollner
D353,798 S	12/1994	Bryde et al.	D580,883 S	11/2008	Hollner
5,399,926 A	3/1995	Adams et al.	D580,884 S	11/2008	Hollner
5,430,356 A	7/1995	Ference	D585,840 S	2/2009	Hollner
5,463,286 A	10/1995	D'Aleo et al.	D585,841 S	2/2009	Hollner
5,608,196 A	3/1997	Hall et al.	D586,760 S	2/2009	Hollner et al.
5,670,858 A	9/1997	Heath	D588,070 S	3/2009	Hollner et al.
D389,461 S	1/1998	Mayo et al.	D588,071 S	3/2009	Hollner et al.
D389,805 S	1/1998	Mayo et al.	D588,072 S	3/2009	Hollner et al.
D395,037 S	6/1998	Mayo et al.	D588,073 S	3/2009	Hollner et al.
5,783,787 A *	7/1998	Data 200/5 R	D588,074 S	3/2009	Hollner
5,806,665 A *	9/1998	Houssian 200/330	D588,075 S	3/2009	Hollner
D404,013 S	1/1999	Mayo et al.	D588,553 S	3/2009	Hollner et al.
5,903,139 A	5/1999	Kompelien	D595,663 S	7/2009	Hollner
D412,315 S	7/1999	Mayo et al.	D595,665 S	7/2009	Hollner
D421,246 S	2/2000	Mayo et al.	D595,666 S	7/2009	Hollner
D422,567 S	4/2000	Mayo et al.	D596,140 S	7/2009	Hollner
6,091,205 A	7/2000	Newman, Jr. et al.	7,609,007 B1	10/2009	Kumar
D428,855 S	8/2000	Mayo et al.	D604,743 S	11/2009	Altonen et al.
6,120,262 A	9/2000	McDonough et al.	D612,400 S	3/2010	Altonen et al.
D436,930 S	1/2001	Butler	D613,305 S	4/2010	Altonen et al.
D437,585 S	2/2001	Mayo et al.	7,714,790 B1	5/2010	Feldstein
D437,834 S	2/2001	Mayo et al.	7,796,057 B2	9/2010	Swatsky et al.
6,218,787 B1	4/2001	Murcko et al.	D624,881 S	10/2010	Altonen et al.
D441,723 S	5/2001	Mayo et al.	D624,882 S	10/2010	Altonen et al.
D442,558 S	5/2001	Mayo et al.	D625,273 S	10/2010	Felegy et al.
D450,043 S	11/2001	Mosebrook	D633,448 S	3/2011	Biery et al.
D453,742 S	2/2002	Butler et al.	D633,874 S	3/2011	Feldstein
6,356,038 B2	3/2002	Bishel	D634,276 S *	3/2011	Chou D13/162
D456,783 S	5/2002	Mayo et al.	D636,738 S	4/2011	Feldstein
D461,782 S	8/2002	Butler et al.	7,928,663 B1	4/2011	Kumar
D465,460 S	11/2002	Mayo et al.	7,928,917 B1	4/2011	Feldstein
D466,089 S *	11/2002	Suen D13/162	D651,571 S	1/2012	Feldstein
D466,090 S	11/2002	Bennett	D651,572 S	1/2012	Feldstein
D466,091 S	11/2002	Bennett	D651,573 S	1/2012	Feldstein
D466,484 S	12/2002	Bennett	D651,574 S	1/2012	Feldstein
6,545,434 B2	4/2003	Sembhi et al.	D651,575 S	1/2012	Feldstein
D475,024 S	5/2003	Bennett	D651,576 S	1/2012	Feldstein
D475,025 S	5/2003	Bennett	D651,577 S	1/2012	Feldstein
D490,061 S	5/2004	Bennett	D651,578 S	1/2012	Feldstein
D510,074 S	9/2005	Larson et al.	D651,579 S	1/2012	Feldstein
6,969,959 B2	11/2005	Black et al.	D651,580 S	1/2012	Feldstein
D516,041 S	2/2006	Hobart et al.	D651,983 S	1/2012	Feldstein
7,019,241 B2 *	3/2006	Grassl et al. 200/339	D651,984 S	1/2012	Feldstein
D535,950 S	1/2007	Alker et al.	D651,985 S	1/2012	Feldstein
D538,238 S	3/2007	Alker et al.	D651,986 S	1/2012	Feldstein
D539,758 S	4/2007	Blair et al.	D651,986 S	1/2012	Feldstein
D542,226 S	5/2007	Spira	D652,805 S	1/2012	Feldstein
D542,227 S	5/2007	Larson et al.	D652,806 S	1/2012	Feldstein
D542,229 S	5/2007	Larson et al.	D653,220 S	1/2012	Feldstein
D546,294 S	7/2007	Mayo et al.	8,089,414 B2	1/2012	Feldstein
D546,776 S	7/2007	Mierta et al.	8,102,375 B1	1/2012	Feldstein
D547,733 S	7/2007	Mayo et al.	D656,102 S *	3/2012	Chou D13/162
D547,734 S	7/2007	Mayo et al.	D657,319 S	4/2012	Feldstein
D550,163 S	9/2007	Mayo et al.	8,149,591 B2	4/2012	Feldstein
D550,164 S	9/2007	Mayo et al.	D678,222 S	3/2013	Wisniewski
D550,165 S	9/2007	Mayo et al.	D678,223 S	3/2013	Wisniewski
D550,166 S	9/2007	Mayo et al.	D678,850 S	3/2013	Wisniewski
D551,177 S	9/2007	Larson et al.	D678,851 S	3/2013	Wisniewski
D551,178 S	9/2007	Mayo et al.	D686,166 S	7/2013	Wisniewski
D551,179 S	9/2007	Mayo et al.	D686,167 S	7/2013	Wisniewski
D551,630 S	9/2007	Larson et al.	D686,168 S	7/2013	Wisniewski
D551,631 S	9/2007	Mayo et al.	D686,169 S	7/2013	Wisniewski
D552,042 S	10/2007	Mayo et al.	2002/0060530 A1	5/2002	Sembhi et al.
D557,662 S	12/2007	Spira	2005/0275354 A1	12/2005	Hausman et al.
D557,664 S	12/2007	Hewson et al.	2005/0284738 A1	12/2005	Altonen et al.
D557,665 S	12/2007	Hewson et al.	2006/0255745 A1	11/2006	DeJonge
D572,664 S	7/2008	Hollner et al.	2007/0001654 A1	1/2007	Newman
D572,665 S	7/2008	Hollner et al.	2007/0285027 A1	12/2007	Gehman
D572,666 S	7/2008	Biery et al.	2008/0024074 A1	1/2008	Mosebrook
D573,546 S	7/2008	Hollner	2008/0111501 A1	5/2008	Dobbins et al.
D573,956 S	7/2008	Hollner et al.	2008/0237010 A1	10/2008	Patel et al.
D574,787 S	8/2008	Hollner	2009/0039854 A1	2/2009	Blakeley
D576,958 S	9/2008	Hollner	2009/0108765 A1	4/2009	Weightman et al.
D580,881 S	11/2008	Hollner	2010/0214756 A1	8/2010	Feldstein
			2011/0248893 A1	10/2011	Feldstein
			2012/0068894 A1	3/2012	Feldstein
			2012/0160641 A1	6/2012	Wisniewski

* cited by examiner

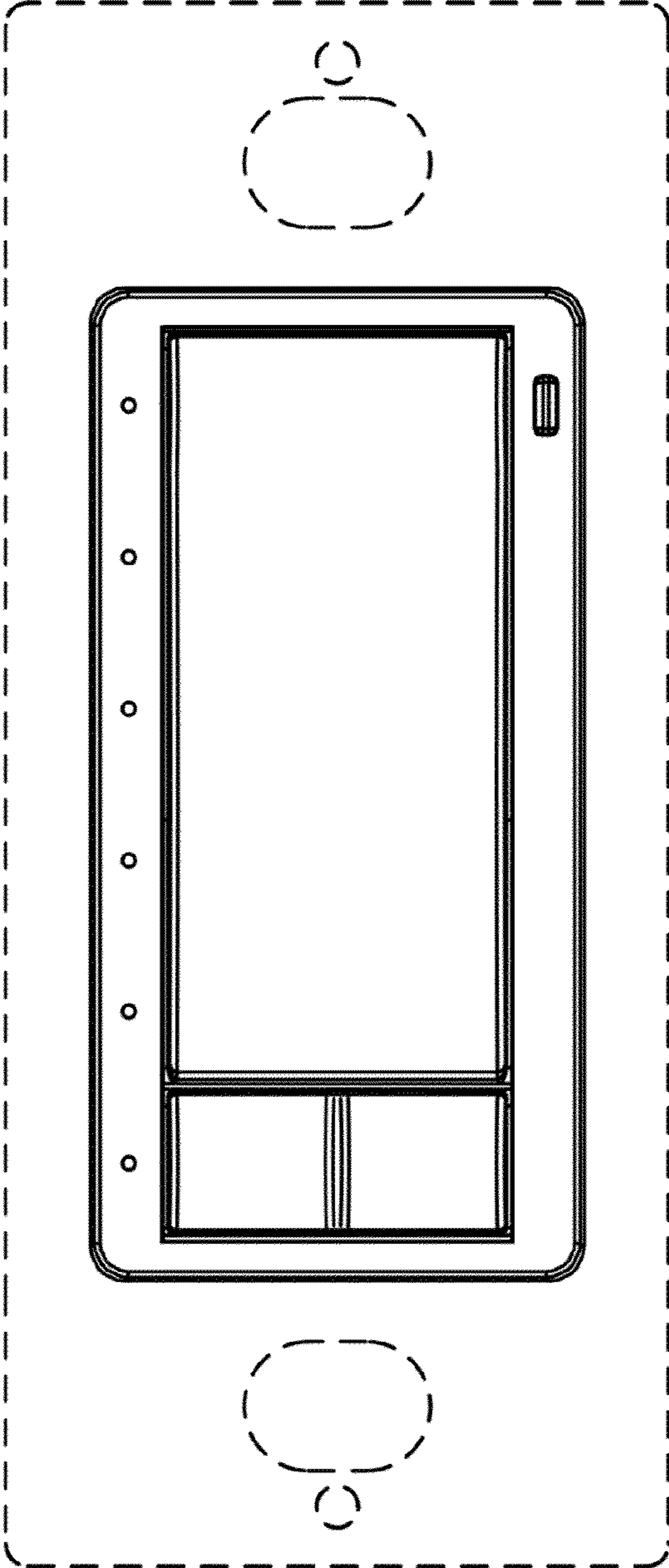


FIG. 1

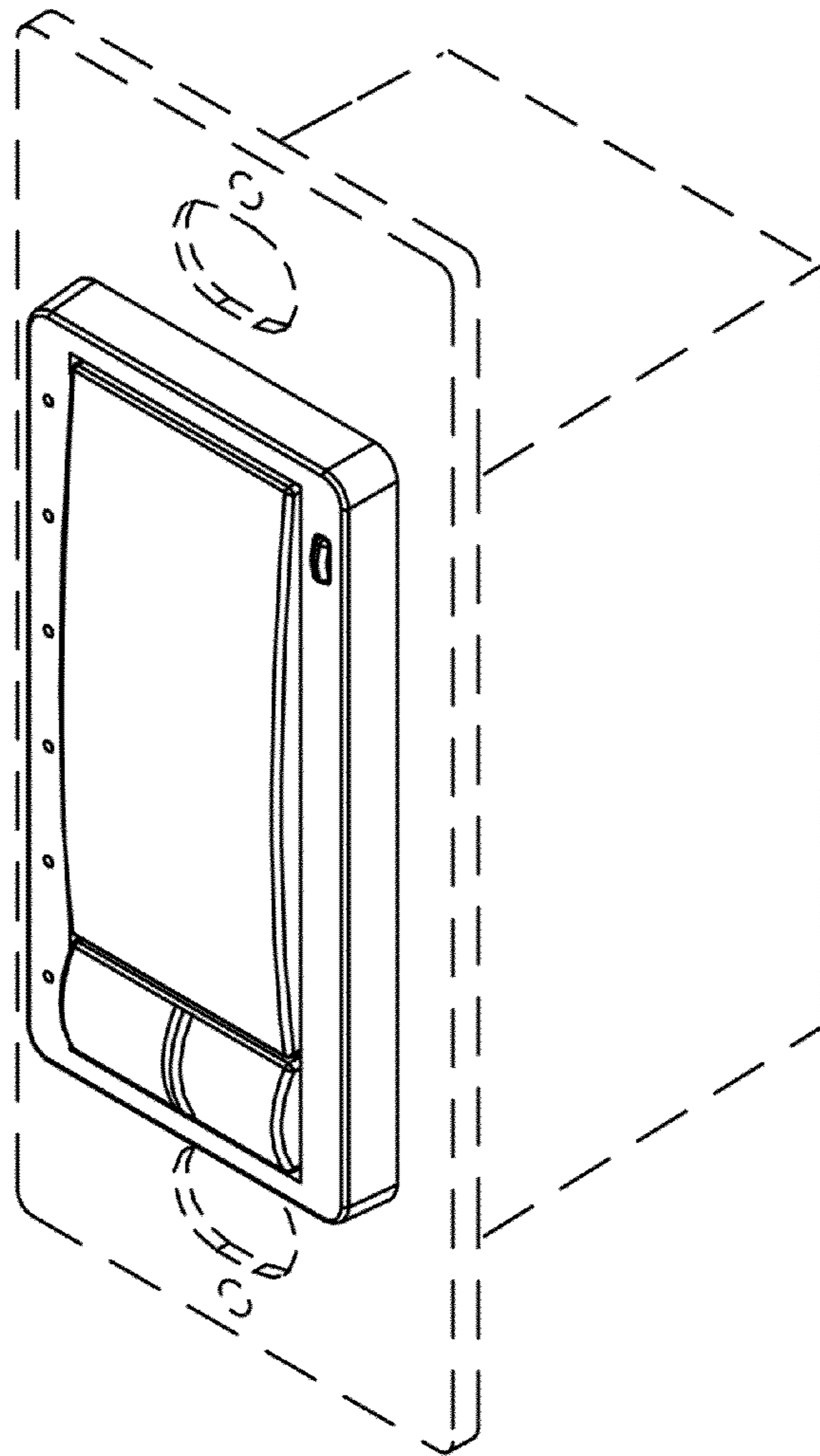


FIG. 2

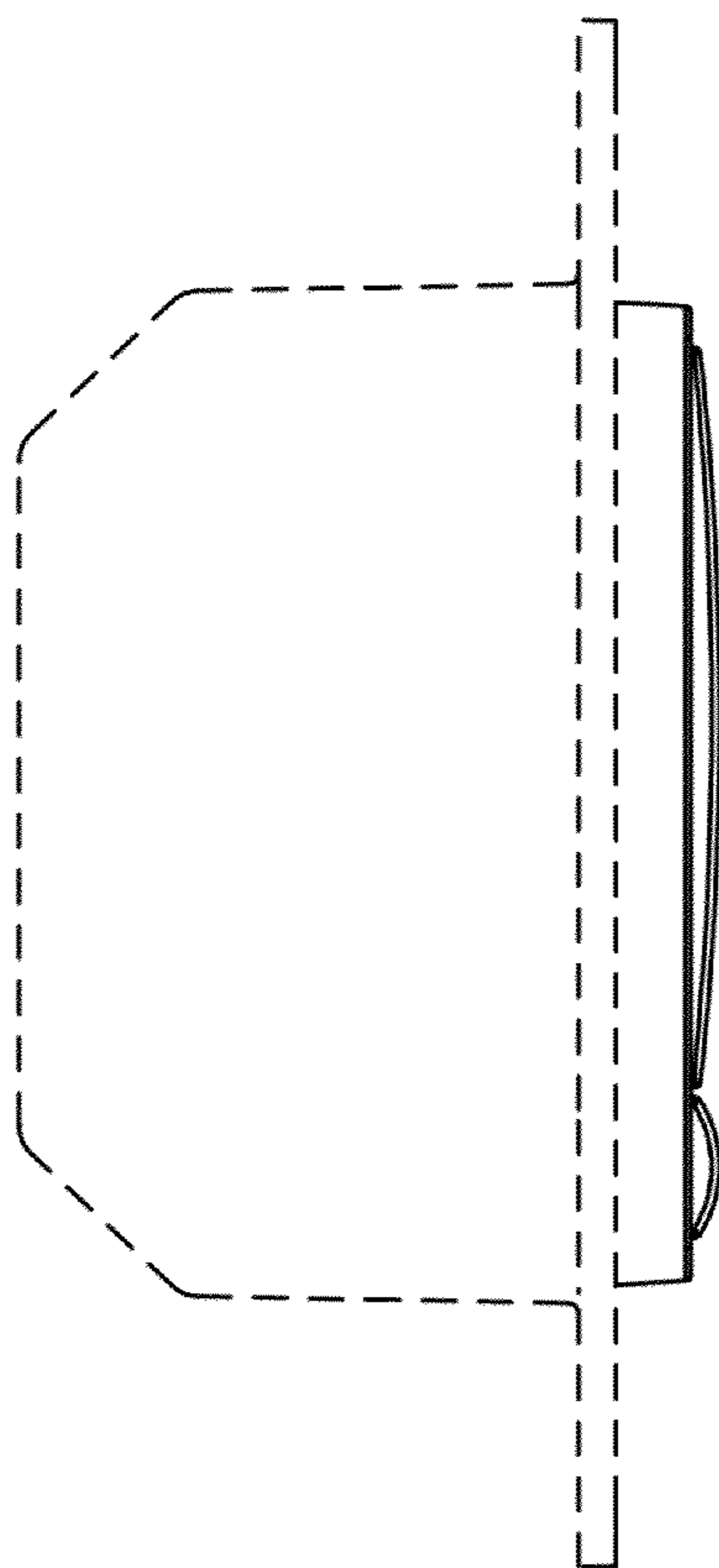


FIG. 3

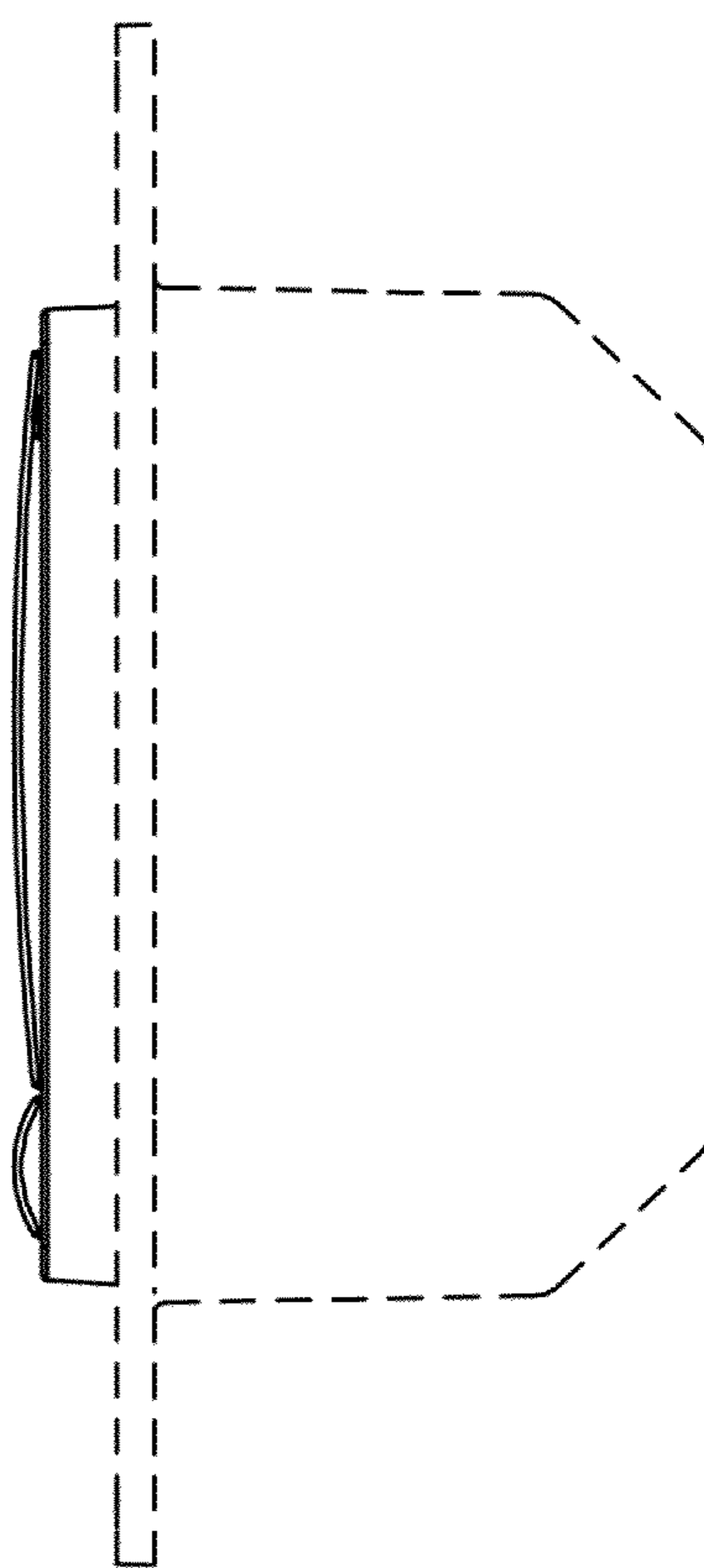


FIG. 4

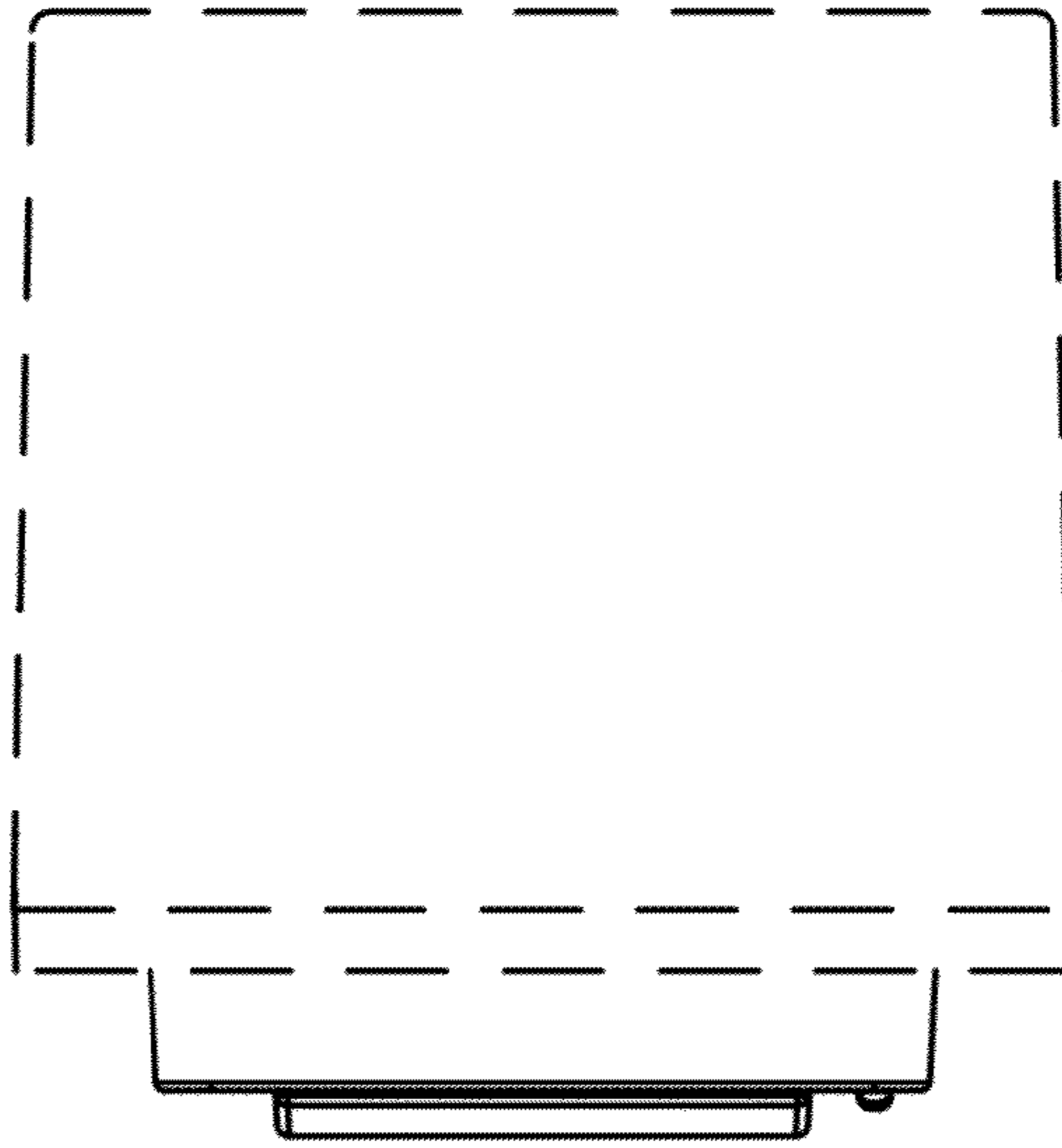


FIG. 5

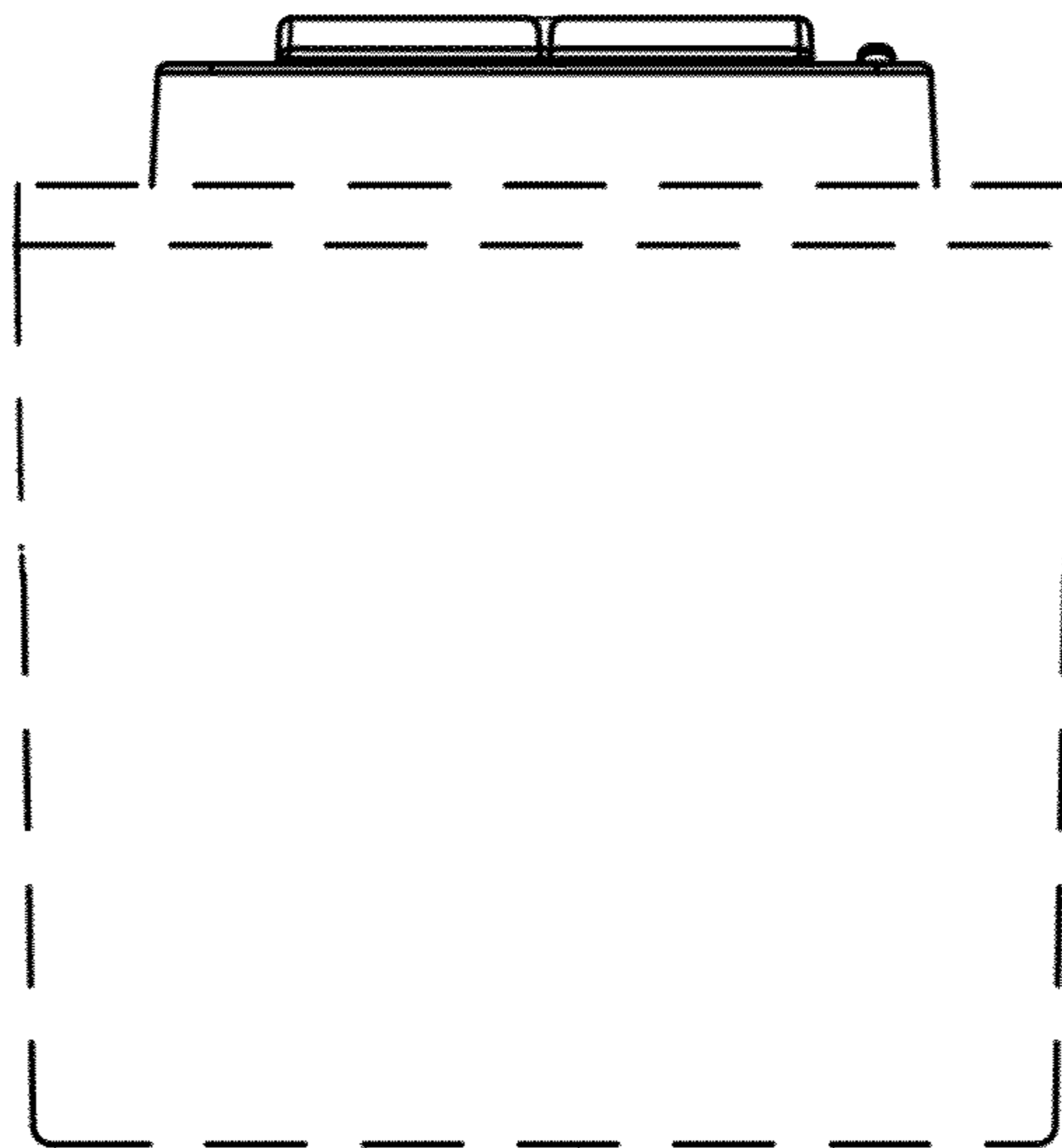


FIG. 6