

US00D707636S

(12) **United States Design Patent**
Besana et al.

(10) **Patent No.:** **US D707,636 S**
(45) **Date of Patent:** **** Jun. 24, 2014**

(54) **CIRCUIT BREAKERS**

- (71) Applicant: **ABB S.p.A.**, Milan (IT)
- (72) Inventors: **Stefano Besana**, Terno d'Isola (IT);
Lucio Azzola, Bergamo (IT)
- (73) Assignee: **ABB S.p.A.**, Milan (IT)
- (**) Term: **14 Years**
- (21) Appl. No.: **29/459,135**
- (22) Filed: **Jun. 26, 2013**

Related U.S. Application Data

- (62) Division of application No. 29/383,747, filed on Jan. 21, 2011, now Pat. No. Des. 687,387, which is a division of application No. 29/341,449, filed on Aug. 5, 2009, now Pat. No. Des. 633,446.

(30) **Foreign Application Priority Data**

Feb. 6, 2009 (EM) 001083992

(51) **LOC (10) Cl.** **13-03**

(52) **U.S. Cl.**
USPC **D13/160**

(58) **Field of Classification Search**
USPC D13/158, 159, 160, 161, 162, 184, 199;
200/43.14, 50.01, 50.21-50.23, 51 R,
200/293, 400, 401; 361/42, 44, 45, 50, 71,
361/115, 608, 634

See application file for complete search history.

(56) **References Cited**

U.S. PATENT DOCUMENTS

- 4,728,757 A 3/1988 Buxton et al.
- D310,822 S 9/1990 Danek
- D315,333 S 3/1991 Barbier et al.
- D318,460 S 7/1991 Heath et al.
- D318,461 S 7/1991 Hasegawa et al.

(Continued)

FOREIGN PATENT DOCUMENTS

WO DM/055273 4/2001

OTHER PUBLICATIONS

ABB Sace L.V. SACE Emax. A System that's open to any solution, 604060/011 en, Jul. 1999.

(Continued)

Primary Examiner — Thomas Johannes

(74) *Attorney, Agent, or Firm* — Novak Druce Connolly Bove + Quigg LLP

(57) **CLAIM**

The ornamental design for circuit breakers, as shown and described.

DESCRIPTION

FIG. 1 is a perspective view of a first embodiment of the new design;

FIG. 2 is a front view thereof;

FIG. 3 is a rear view thereof;

FIG. 4 is a top view thereof;

FIG. 5 is a bottom view thereof;

FIG. 6 is a left view thereof;

FIG. 7 is a right view thereof;

FIG. 8 is a perspective view of a second embodiment of the new design;

FIG. 9 is a front view thereof;

FIG. 10 is a rear view thereof;

FIG. 11 is a top view thereof;

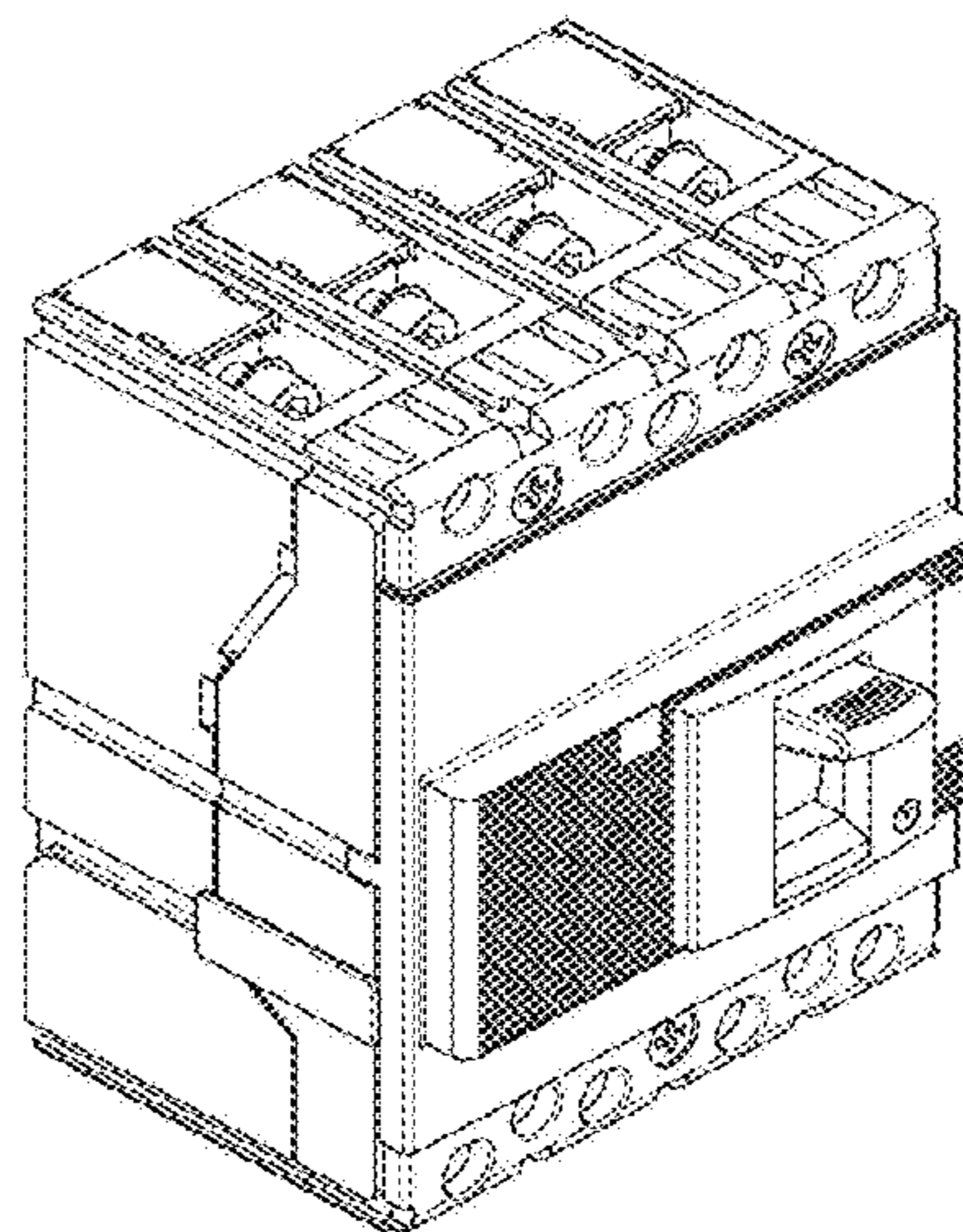
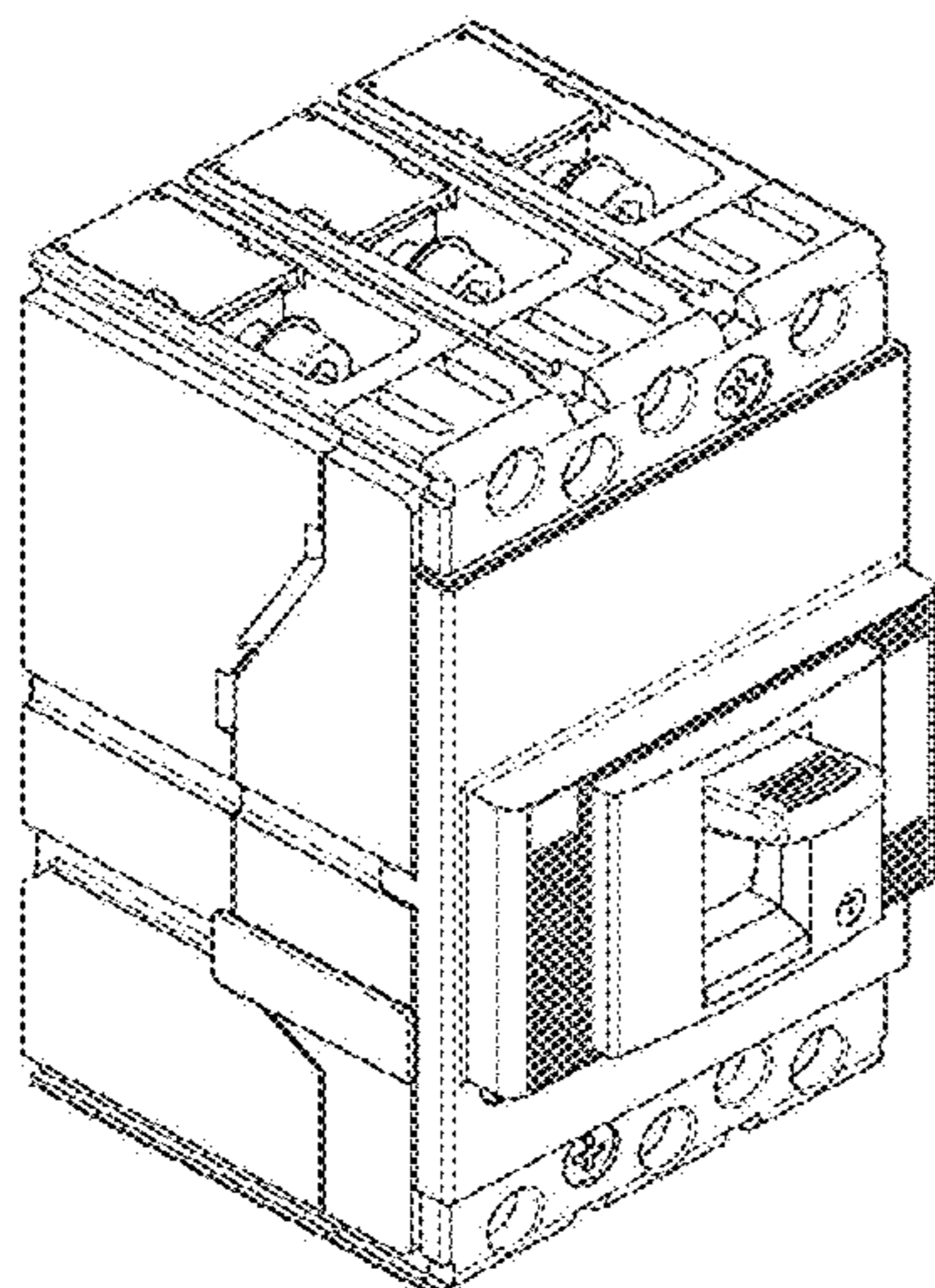
FIG. 12 is a bottom view thereof;

FIG. 13 is a left view thereof; and,

FIG. 14 is a right view thereof.

The broken line portion of the figure drawings is included to show unclaimed subject matter only and forms no part of the claimed design.

1 Claim, 14 Drawing Sheets



(56)

References Cited

U.S. PATENT DOCUMENTS

D319,627 S 9/1991 Smith et al.
 D325,727 S 4/1992 Murata et al.
 D334,174 S 3/1993 Hosogai et al.
 5,296,664 A 3/1994 Crookston et al.
 5,302,786 A * 4/1994 Rosen et al. 200/400
 5,362,933 A 11/1994 Kutsche et al.
 D359,948 S 7/1995 Merlin
 5,587,570 A 12/1996 Kelaita, Jr. et al.
 5,610,375 A 3/1997 Sinthomez
 D378,914 S 4/1997 Smith et al.
 5,717,178 A 2/1998 Turner et al.
 D402,267 S 12/1998 M'Sadoques
 5,902,973 A 5/1999 Ramey et al.
 6,008,459 A 12/1999 Faber et al.
 6,078,017 A 6/2000 Blessitt et al.
 6,177,641 B1 1/2001 Morel et al.
 D442,146 S 5/2001 Greenberg et al.
 6,361,848 B1 3/2002 Katsube et al.
 6,388,867 B1 5/2002 Rakus et al.
 6,445,559 B1 9/2002 Phillips et al.
 6,489,577 B2 12/2002 Kurata
 6,512,433 B1 1/2003 Bouchard et al.
 6,590,482 B2 * 7/2003 Castonguay et al. 335/172
 D498,464 S 11/2004 Kim
 D499,700 S 12/2004 Raabe et al.
 D499,701 S 12/2004 Kim

D506,185 S 6/2005 Kim
 D511,502 S 11/2005 Kim
 7,064,283 B2 6/2006 Deylitz et al.
 D535,626 S 1/2007 Azzola et al.
 D547,729 S 7/2007 Azzola et al.
 D547,730 S 7/2007 Azzola et al.
 D551,629 S 9/2007 Azzola et al.
 D562,777 S 2/2008 Azzola et al.
 D576,111 S 9/2008 Azzola et al.
 D585,839 S 2/2009 Azzola et al.
 D587,658 S 3/2009 Azzola et al.
 D593,506 S 6/2009 Azzola et al.
 D599,301 S 9/2009 Azzola et al.
 D611,002 S 3/2010 Azzola et al.
 D616,832 S 6/2010 Corteel
 D660,805 S * 5/2012 Azzola et al. D13/160
 D687,387 S * 8/2013 Besana et al. D13/160
 2001/0022713 A1 9/2001 Gimenez et al.
 2001/0025773 A1 10/2001 Rane et al.
 2004/0045796 A1 3/2004 Azzola et al.
 2005/0109597 A1 5/2005 Etscheidt et al.
 2006/0118397 A1 6/2006 Dahl et al.

OTHER PUBLICATIONS

Terasaki Electric, Revolutino in circuit breaker technology, 35 pp.
 (date unknown).

* cited by examiner

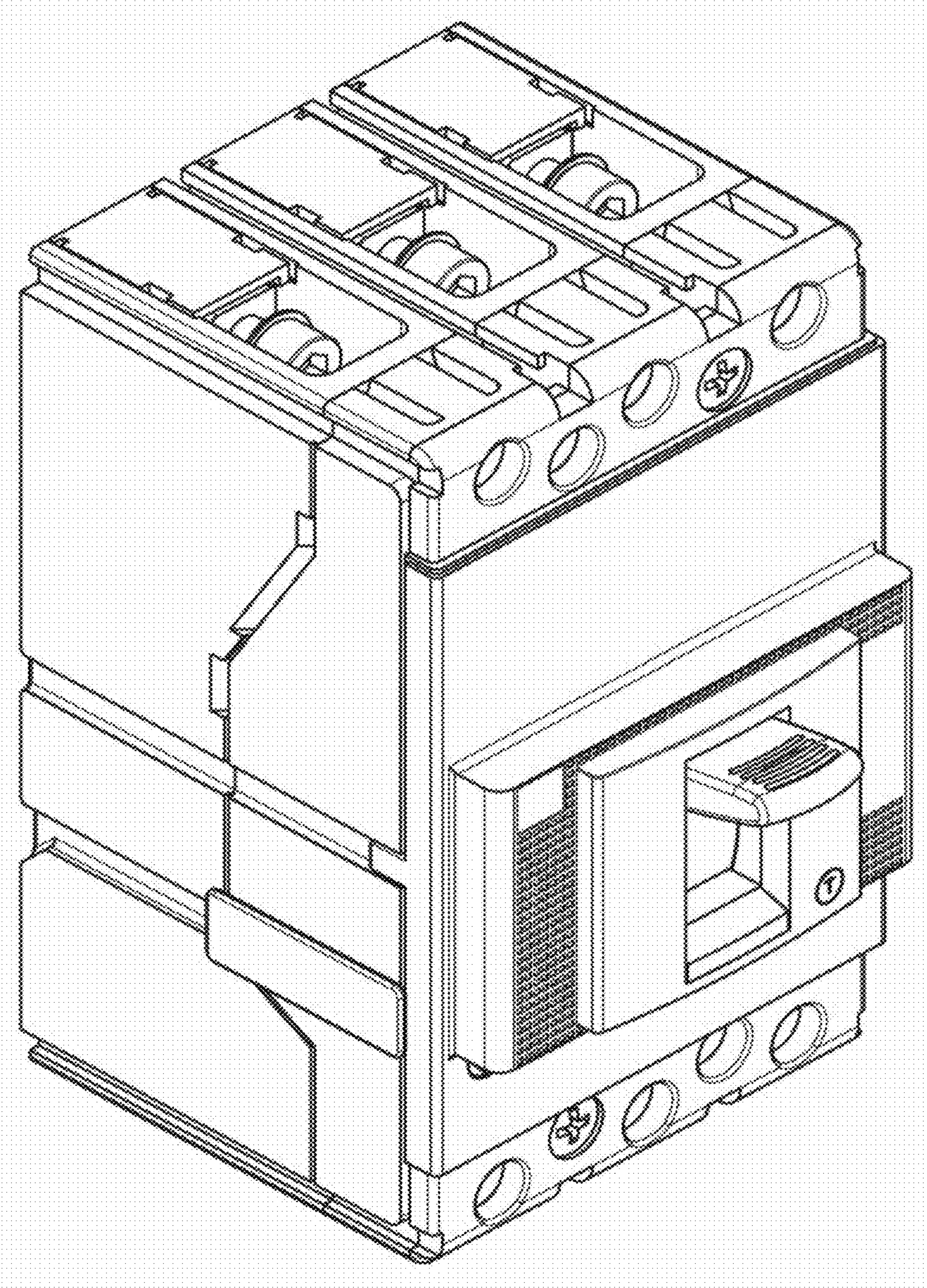


FIG. 1

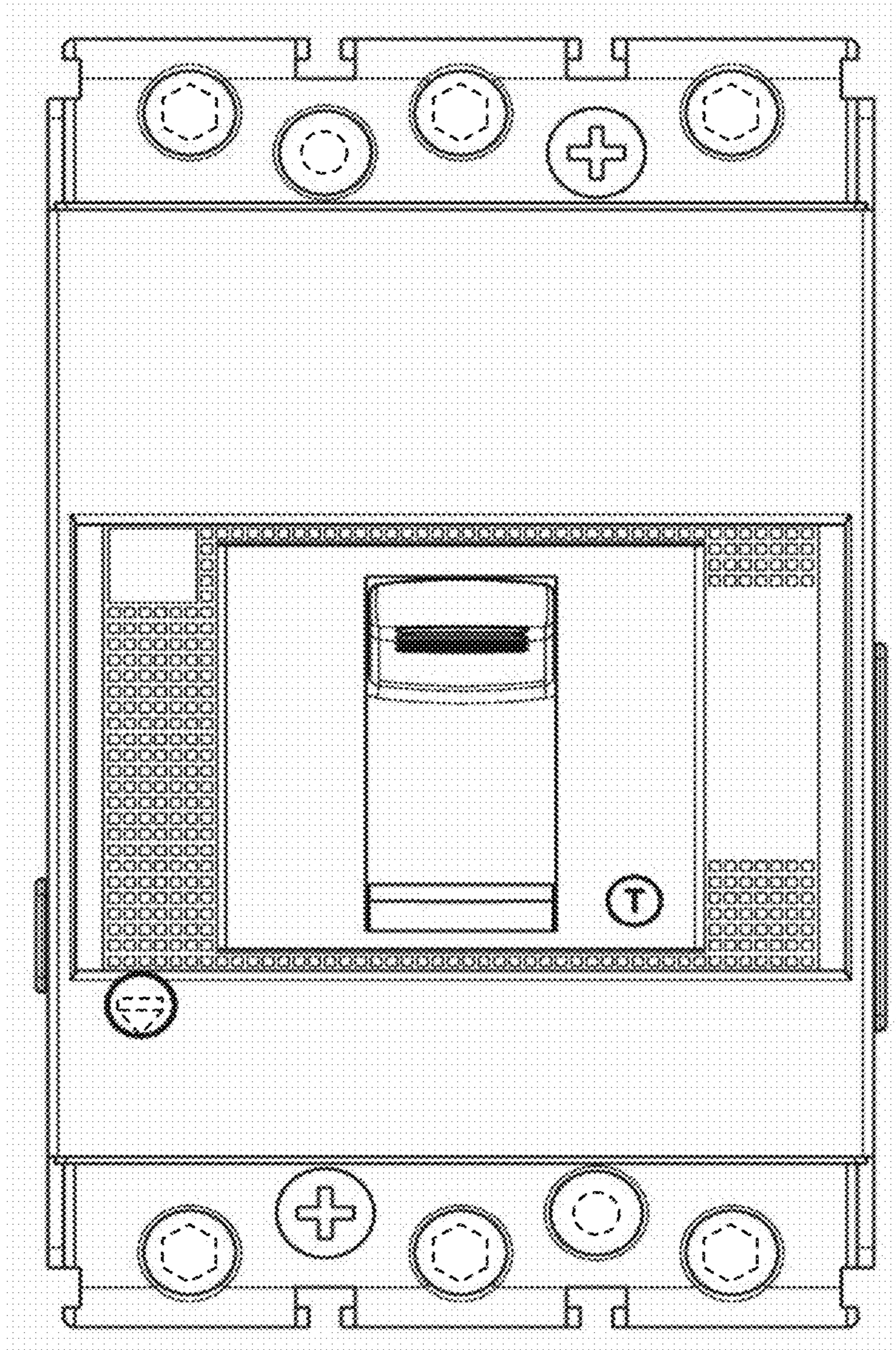


FIG. 2

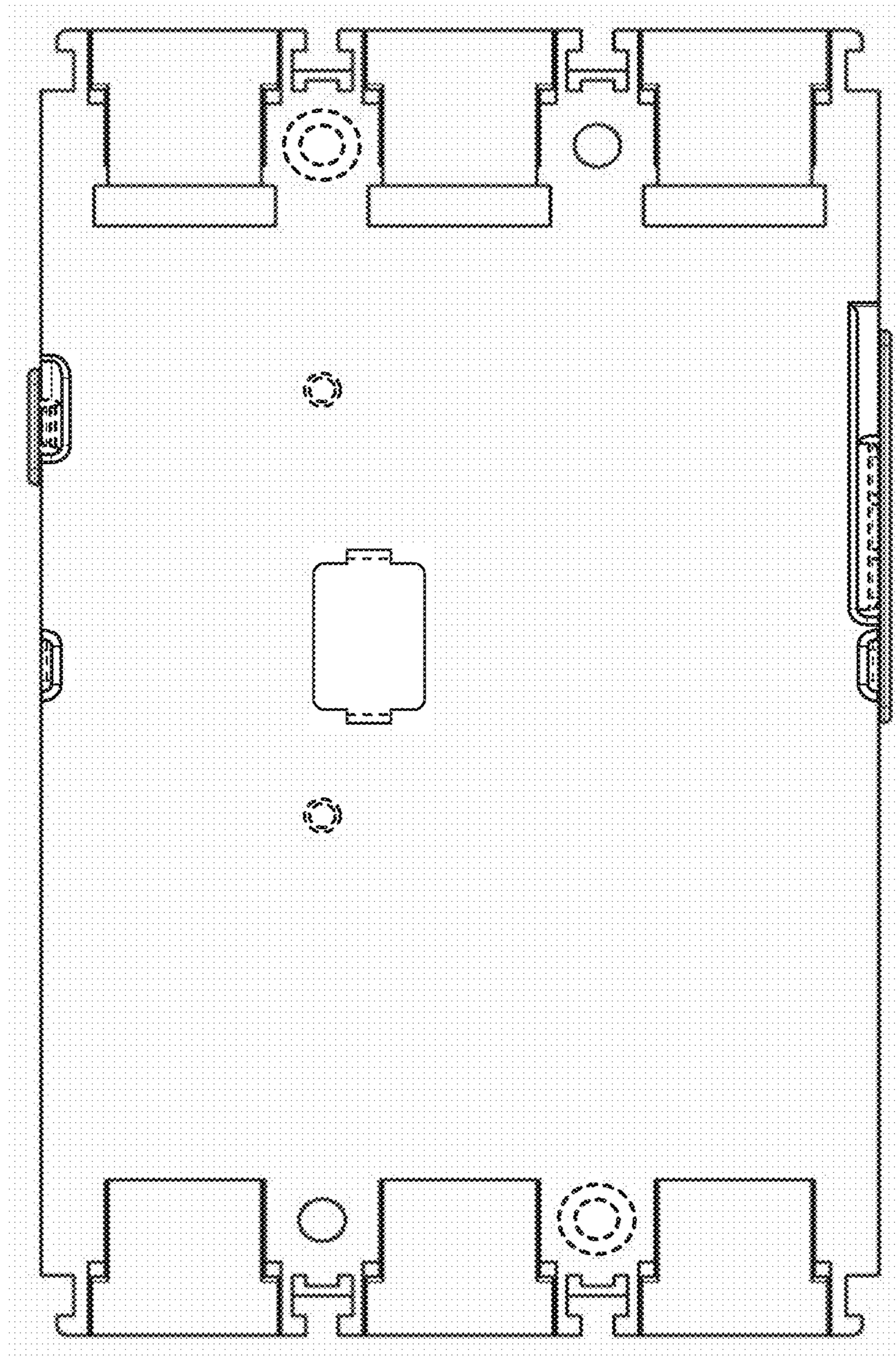


FIG. 3

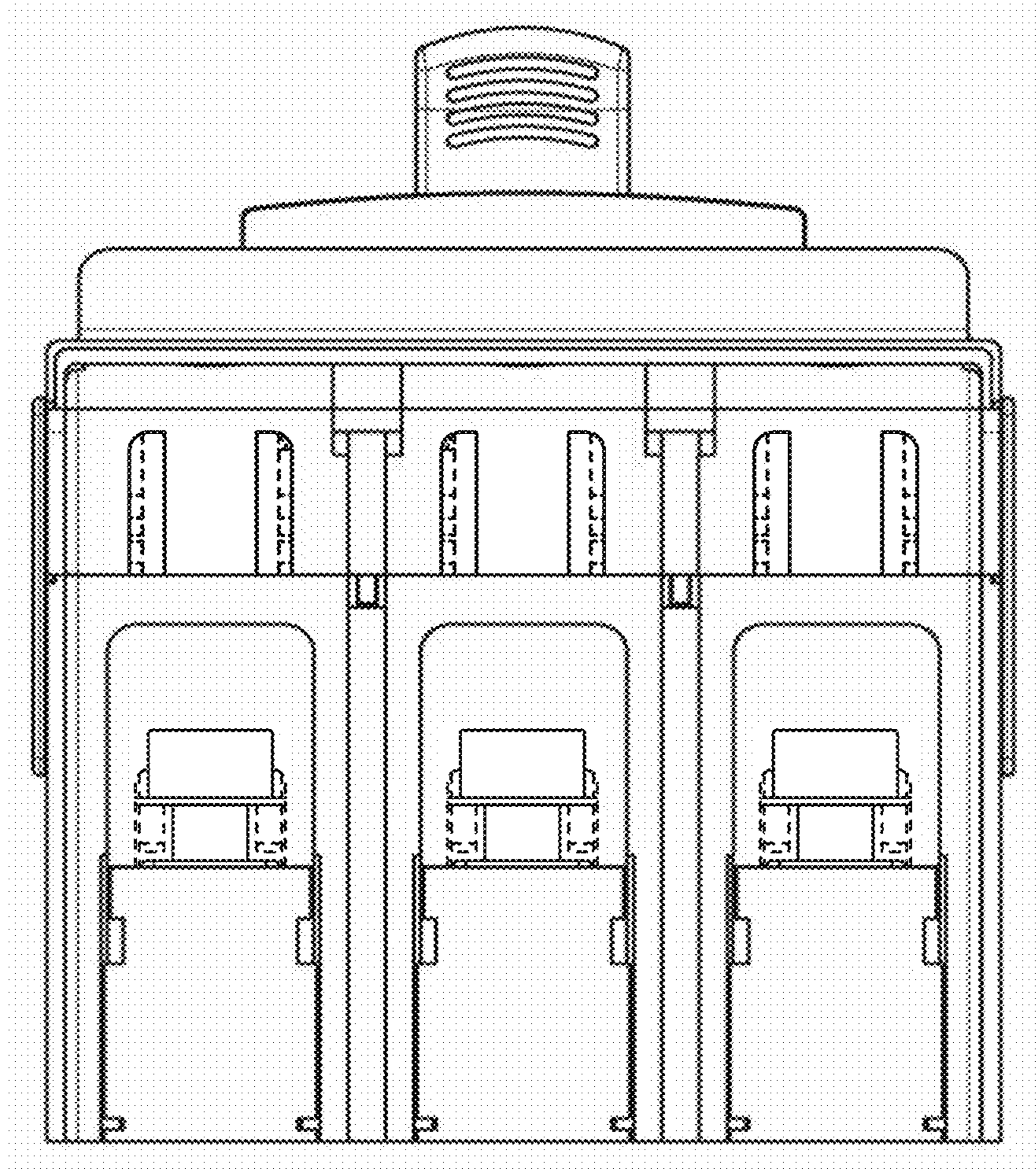


FIG. 4

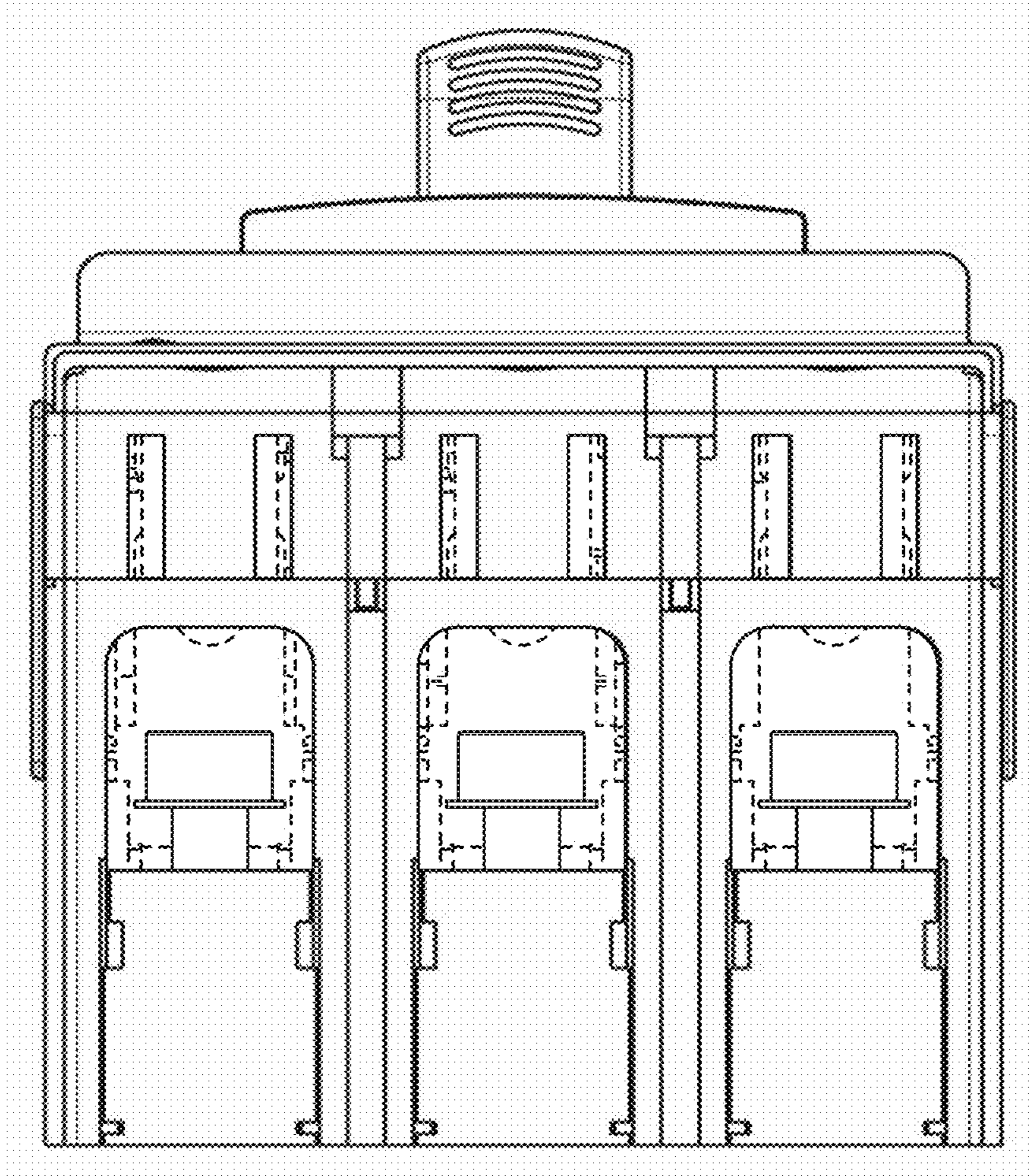


FIG. 5

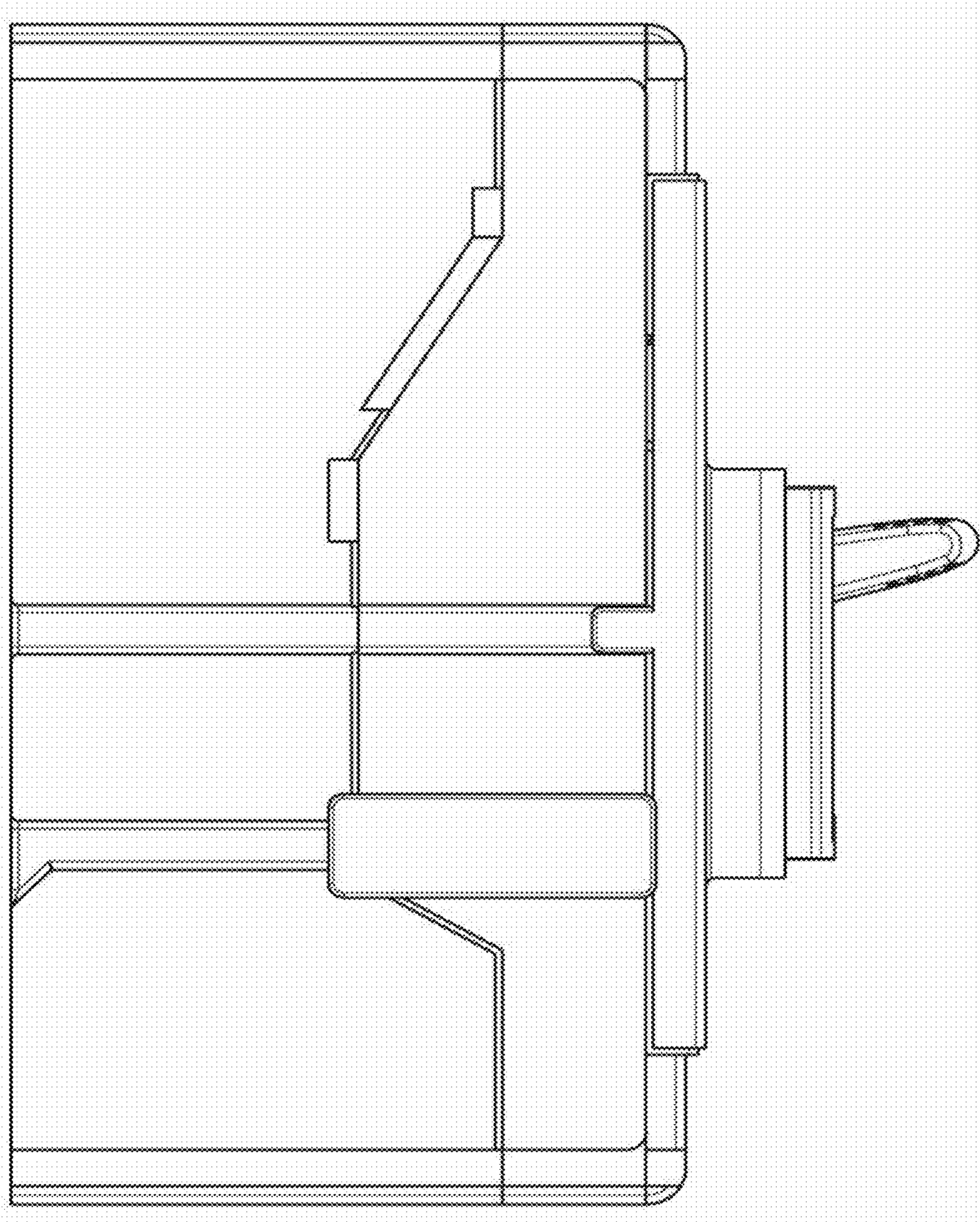


FIG. 6

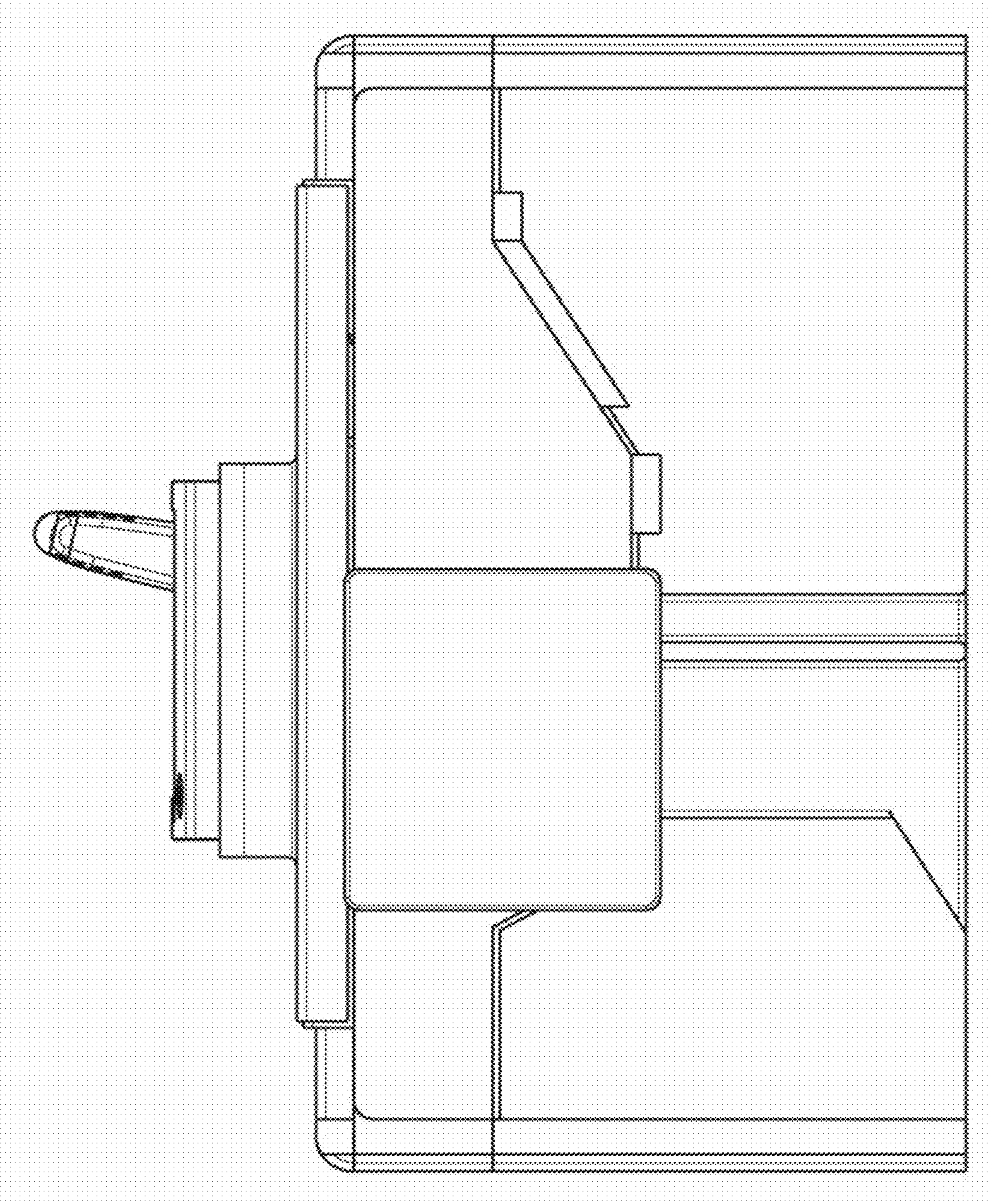


FIG. 7

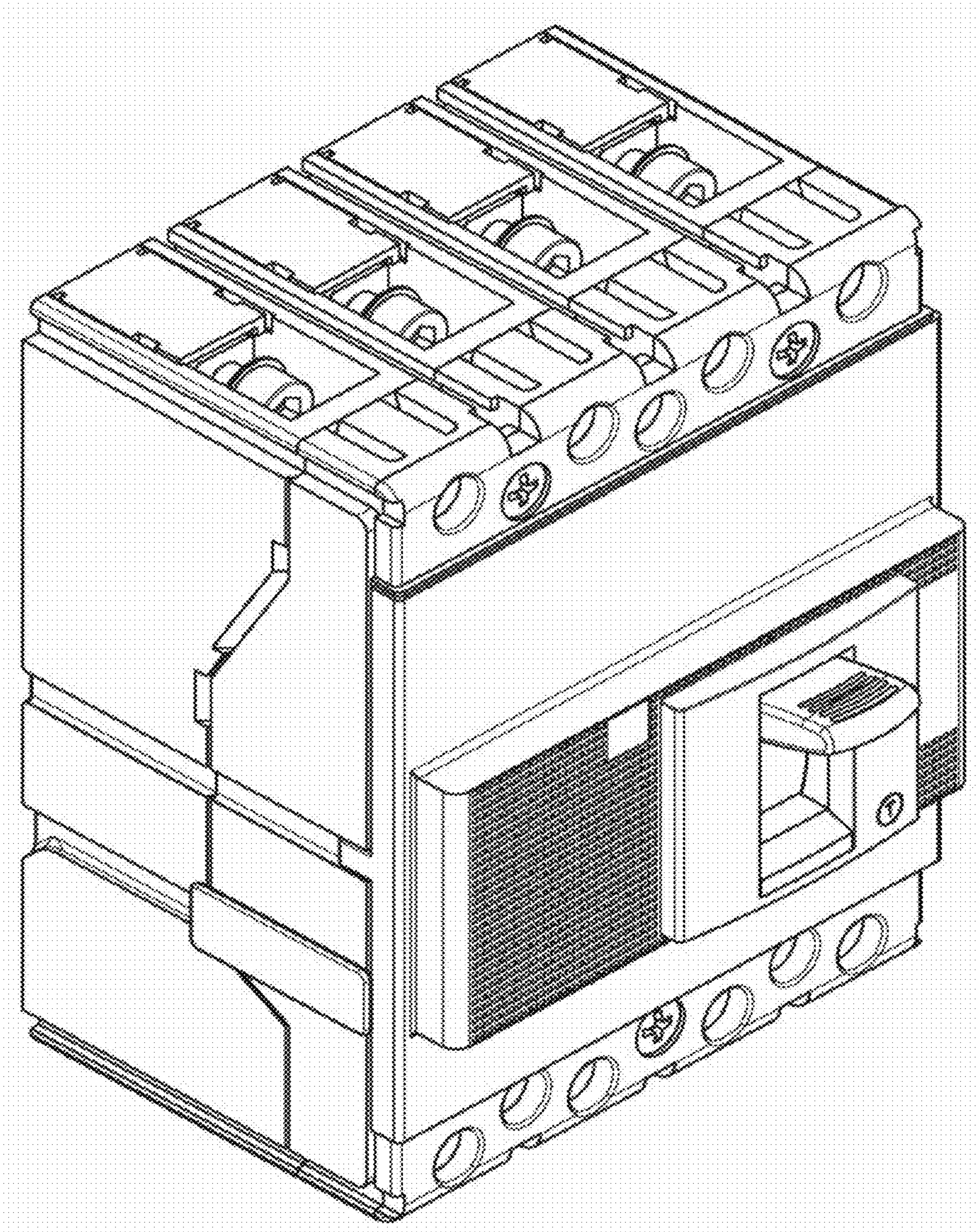


FIG. 8

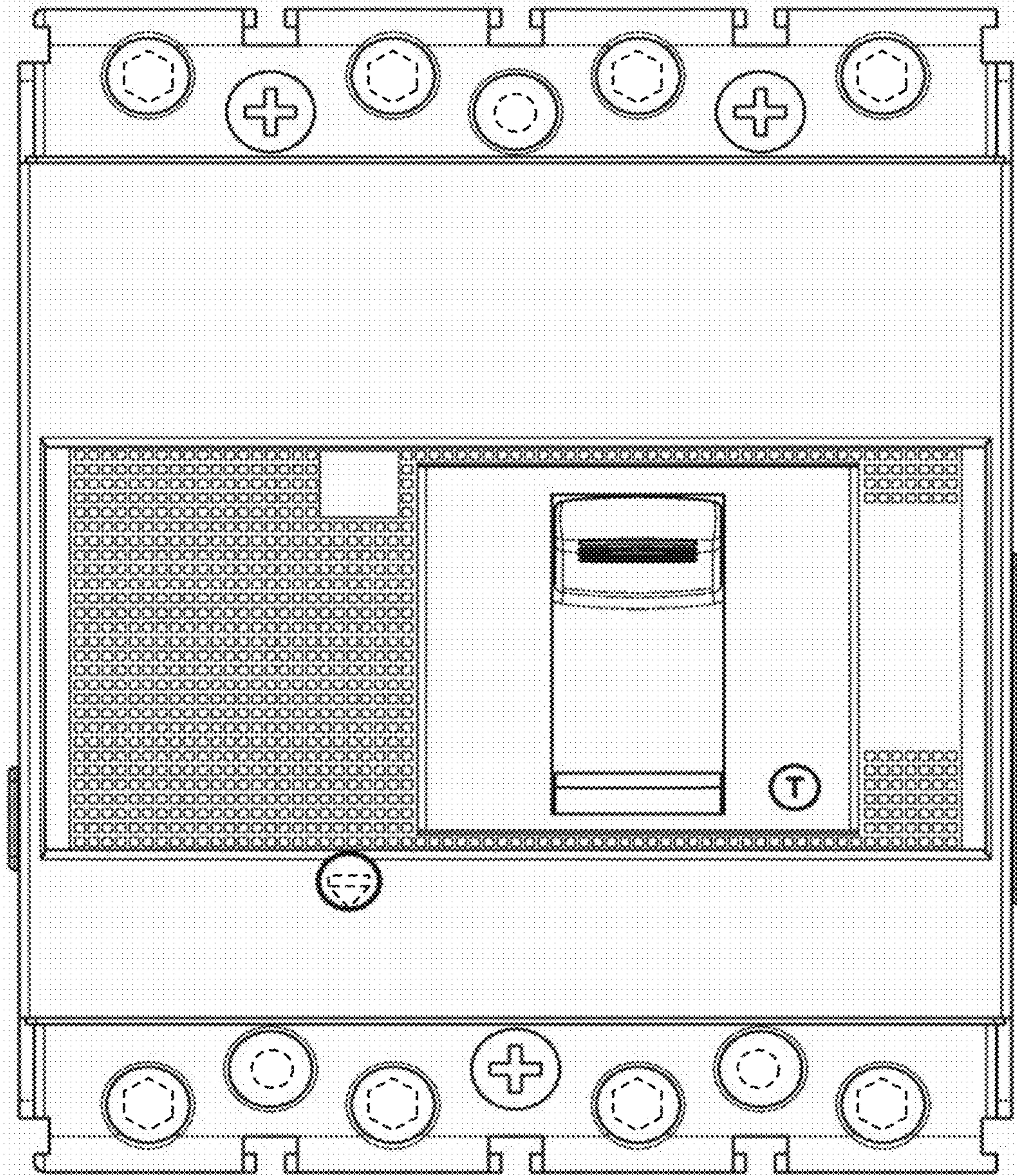


FIG. 9

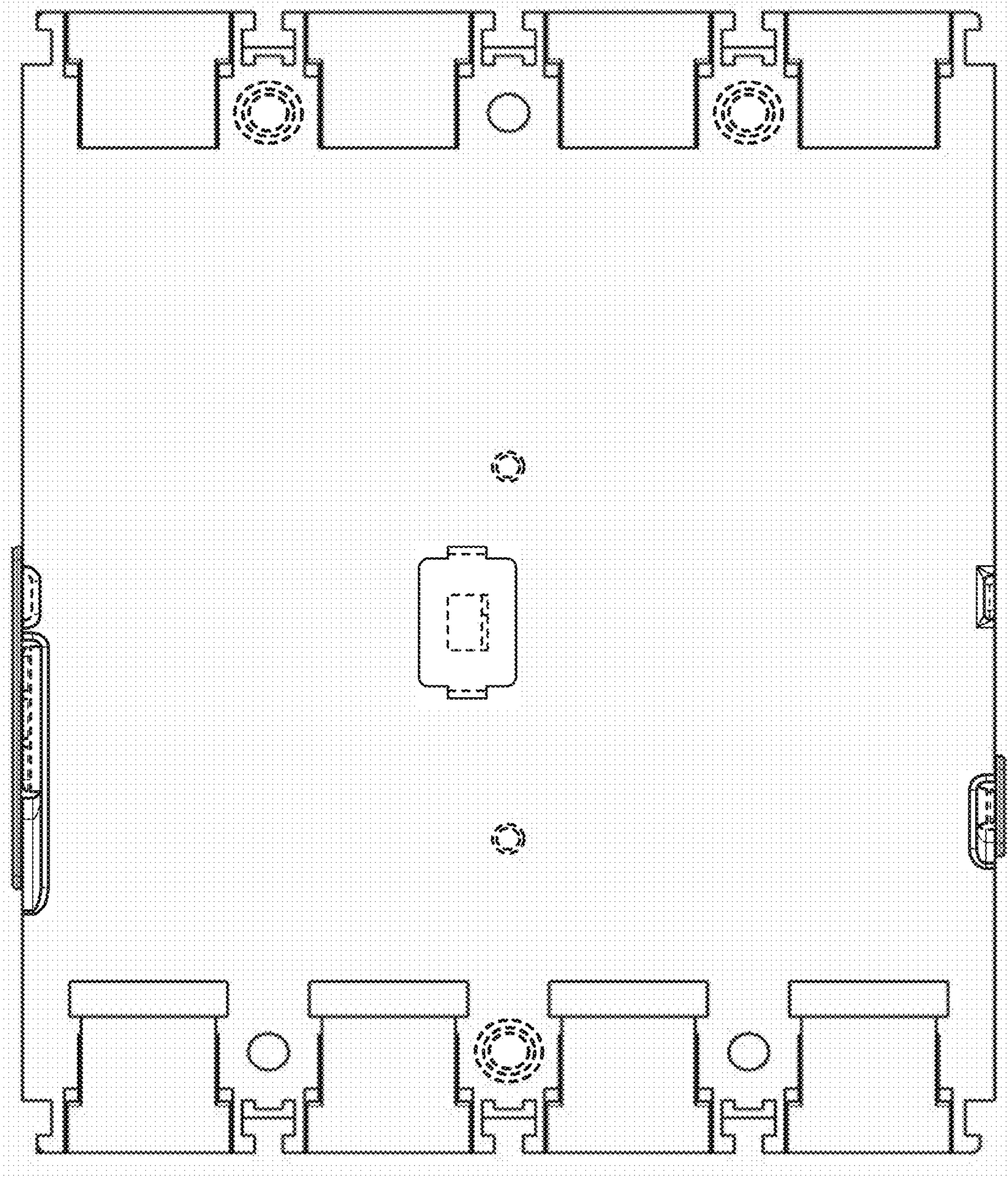


FIG. 10

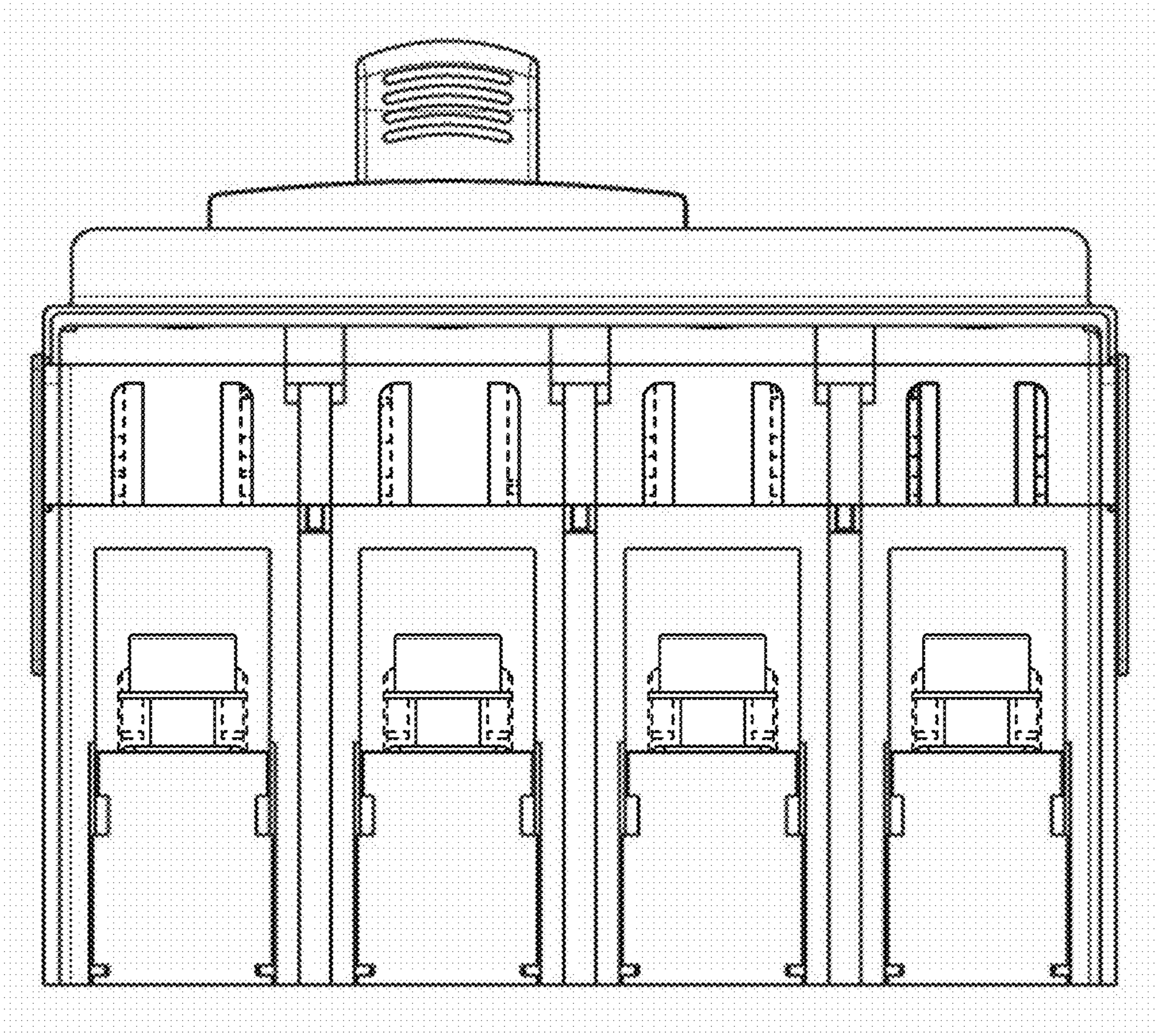


FIG. 11

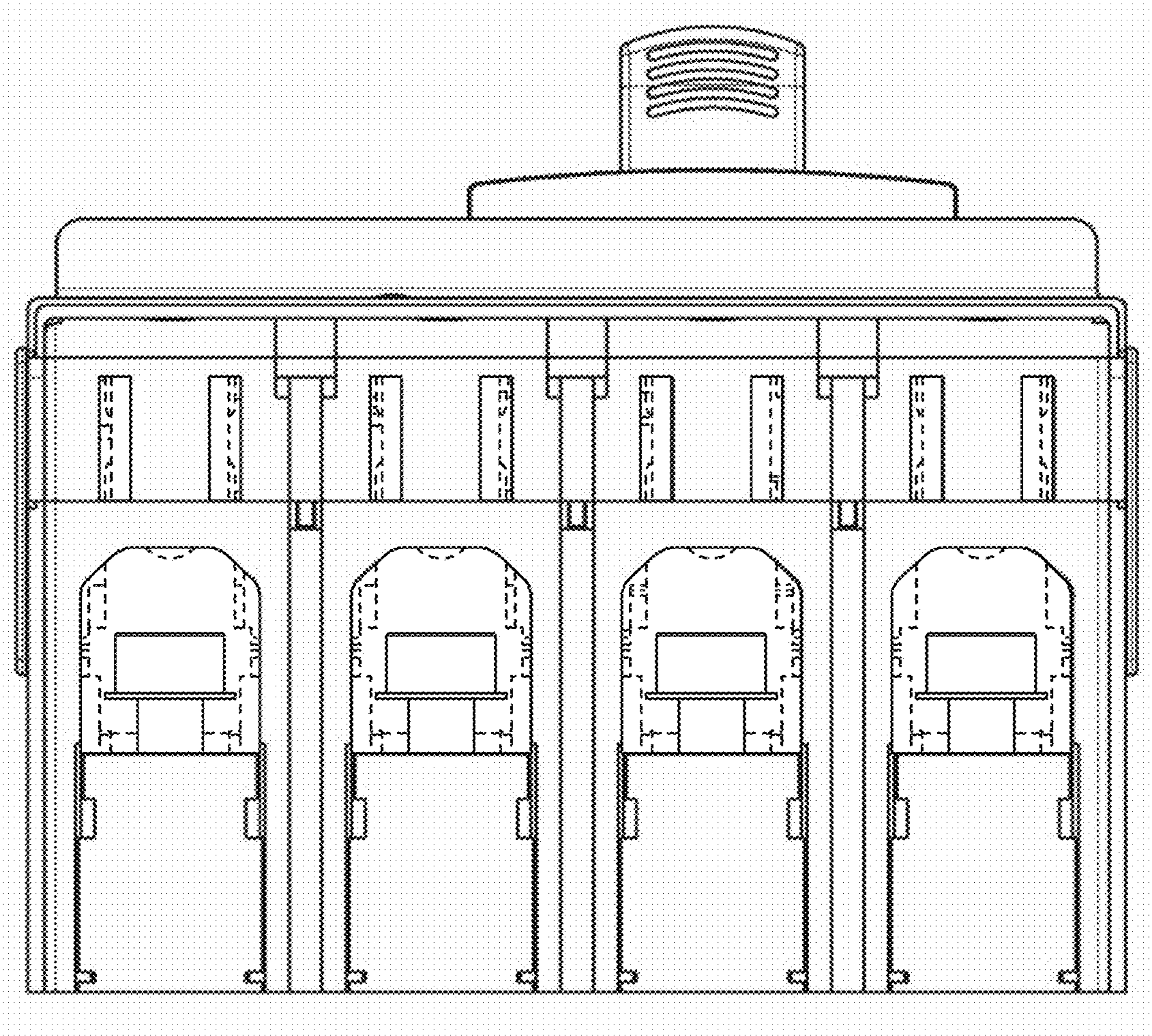


FIG. 12

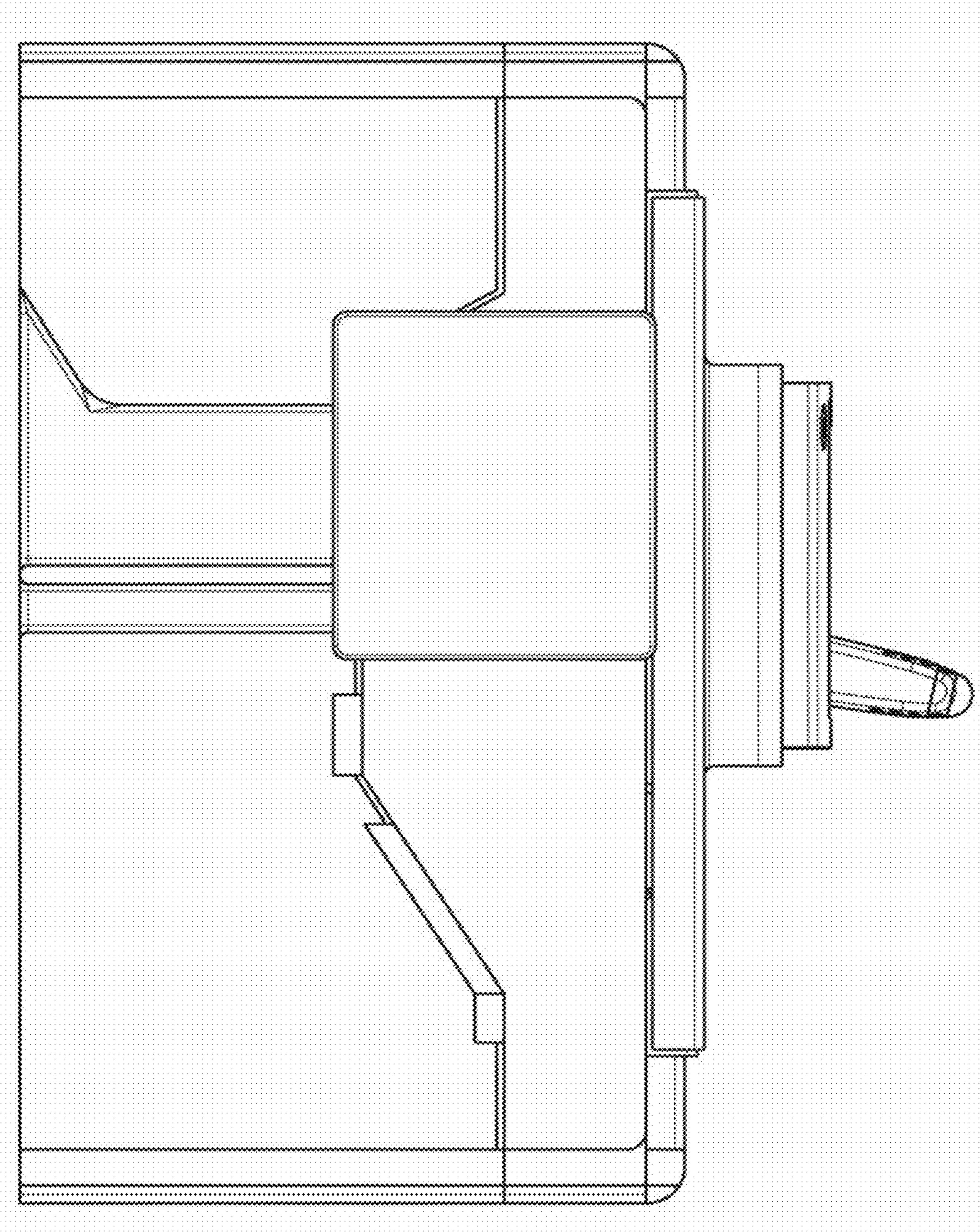


FIG. 13

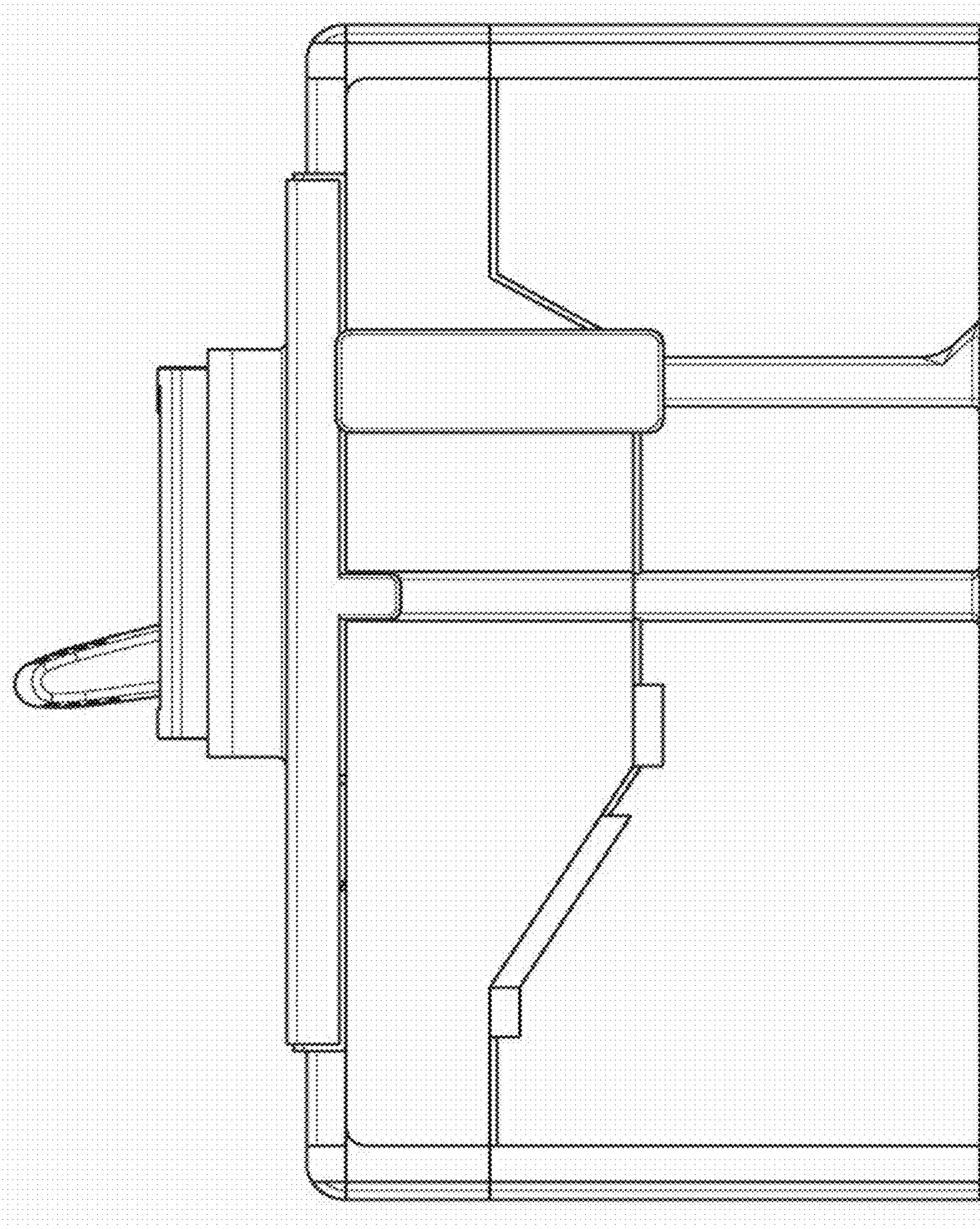


FIG. 14