



US00D707635S

(12) **United States Design Patent**  
**Hagarty**

(10) **Patent No.:** **US D707,635 S**  
(45) **Date of Patent:** **\*\* Jun. 24, 2014**

- (54) **PLASTER RING**
- (75) Inventor: **Robert J. Hagarty**, Spokane, WA (US)
- (73) Assignee: **RANDL Industries, Inc.**, Spokane Valley, WA (US)
- (\*\*) Term: **14 Years**
- (21) Appl. No.: **29/424,576**
- (22) Filed: **Jun. 13, 2012**
- (51) **LOC (10) Cl.** ..... **13-03**
- (52) **U.S. Cl.**  
USPC ..... **D13/156**
- (58) **Field of Classification Search**  
USPC ..... D13/156, 133, 152, 154, 173, 177, 184,  
D13/199; 174/53, 55, 58, 66, 67, 68.1, 82;  
220/3.2, 3.3, 3.5, 3.6, 3.9; 248/27.1;  
439/527, 535, 536, 537  
See application file for complete search history.

D540,654 S 4/2007 Aubert Capella  
D555,108 S 11/2007 Strong  
D588,067 S \* 3/2009 Seropian ..... D13/152

**OTHER PUBLICATIONS**

Hagarty, R.J., "Outlet Box Adapter," U.S. Appl. No. 29/393,963, filed Jun. 10, 2011.

\* cited by examiner

*Primary Examiner* — Derrick Holland  
(74) *Attorney, Agent, or Firm* — Christensen O'Connor Johnson Kindness PLLC

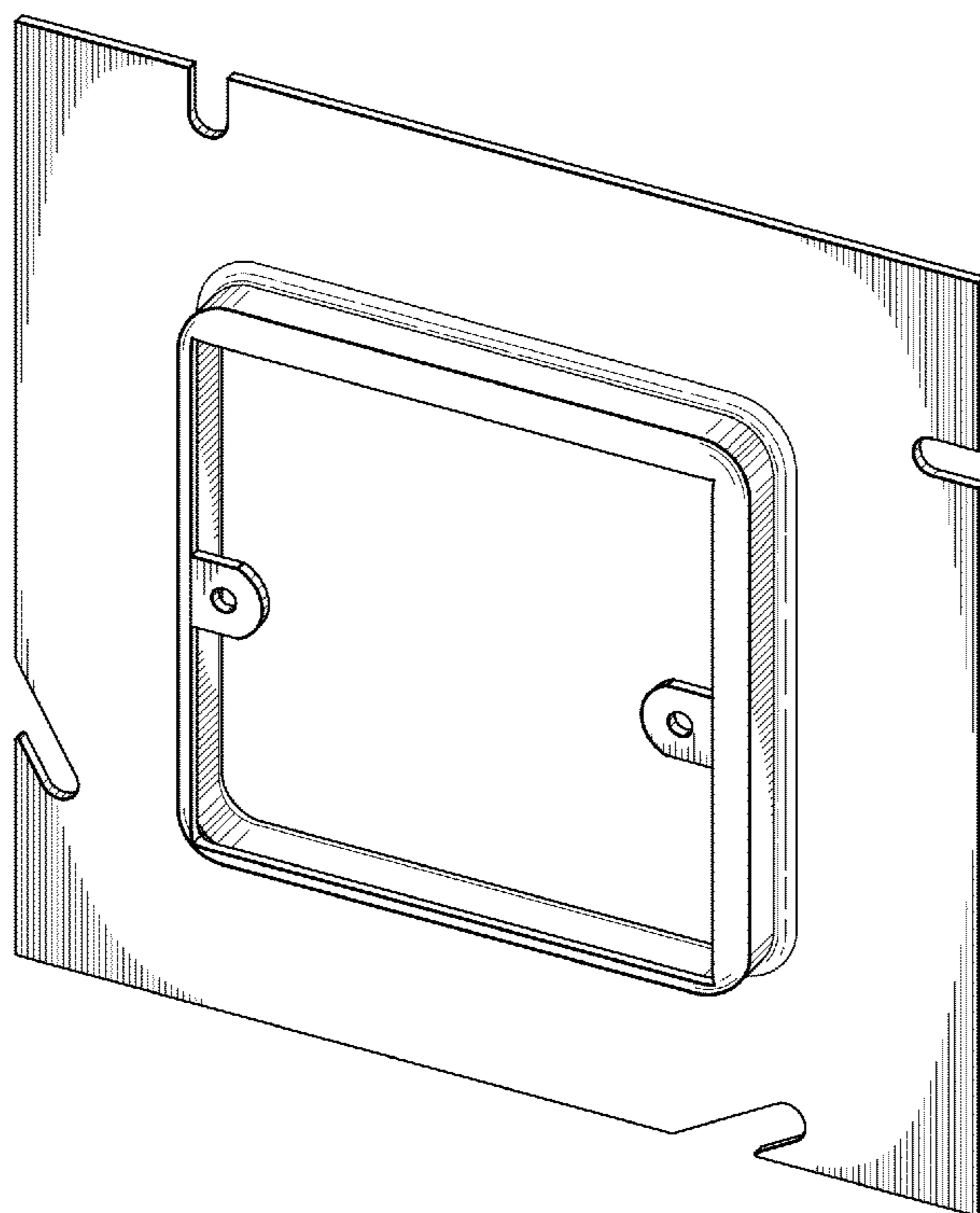
(57) **CLAIM**  
The ornamental design for a plaster ring, as shown and described.

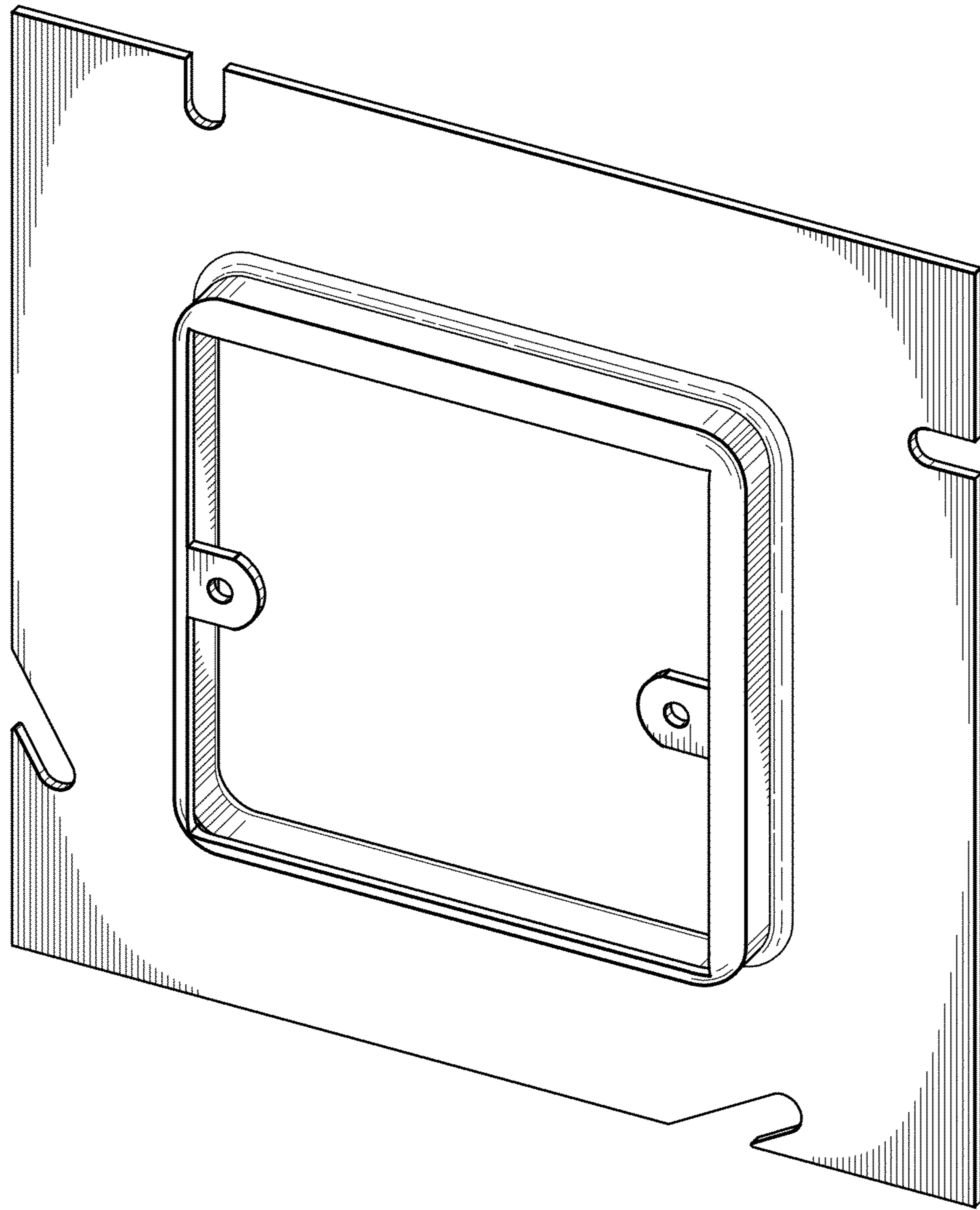
**DESCRIPTION**

FIG. 1 is a front-right perspective view of a plaster ring in accordance with the present design;  
FIG. 2 is a rear-left perspective view of the plaster ring shown in FIG. 1;  
FIG. 3 is a front view of the plaster ring shown in FIG. 1;  
FIG. 4 is a rear view of the plaster ring shown in FIG. 1;  
FIG. 5 is a top view of the plaster ring shown in FIG. 1;  
FIG. 6 is a bottom view of the plaster ring shown in FIG. 1;  
FIG. 7 is a left side view of the plaster ring shown in FIG. 1; and,  
FIG. 8 is a right side view of the plaster ring shown in FIG. 1.

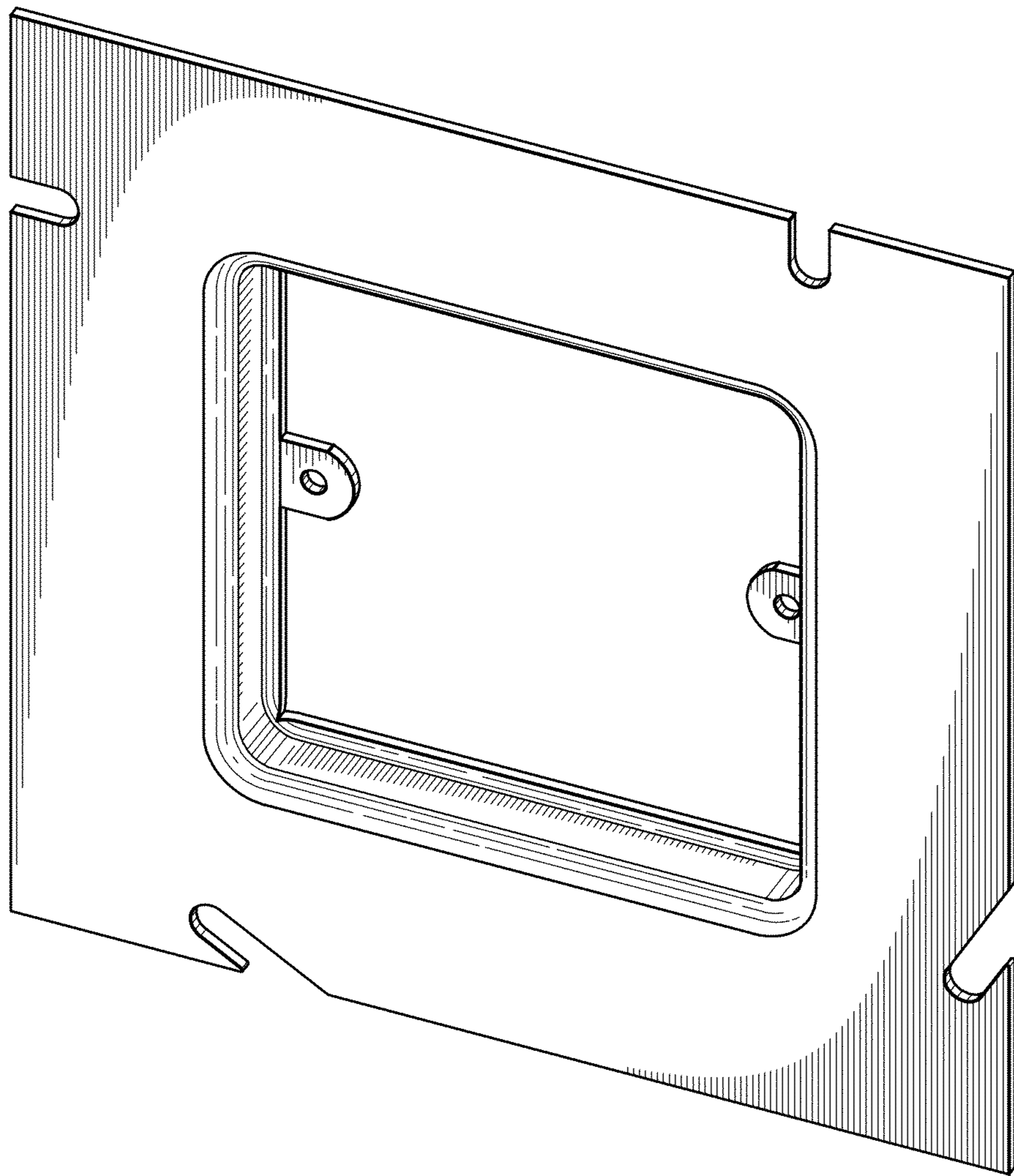
- (56) **References Cited**  
U.S. PATENT DOCUMENTS  
4,927,039 A \* 5/1990 McNab ..... 220/3.7  
6,066,803 A 5/2000 Hagarty  
6,166,329 A \* 12/2000 Oliver et al. .... 174/58  
D462,939 S \* 9/2002 Dinh ..... D13/156  
6,573,449 B2 \* 6/2003 Vrame ..... 174/58  
D493,695 S 8/2004 Wengrower  
6,858,802 B2 2/2005 Hagarty

**1 Claim, 5 Drawing Sheets**

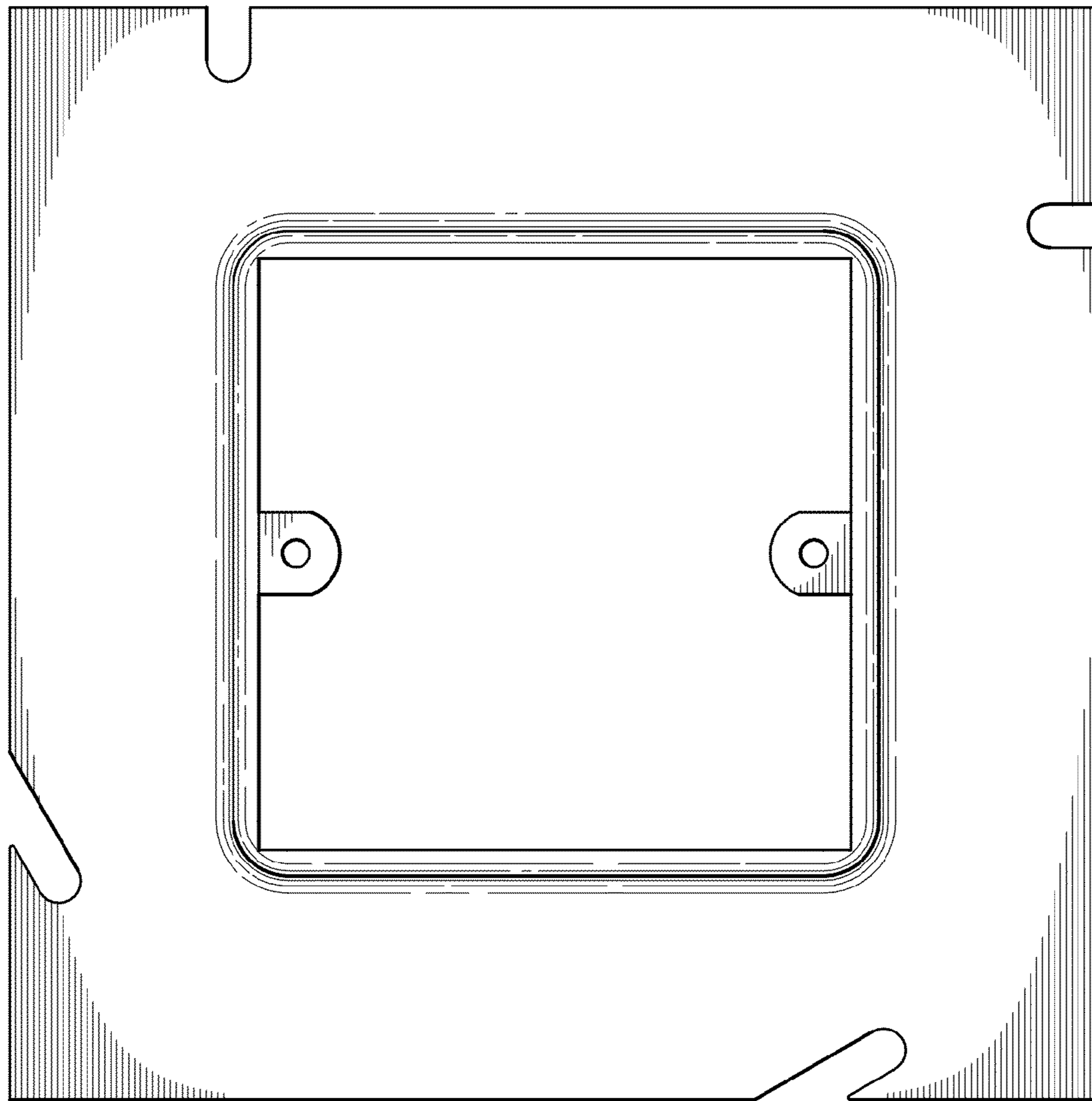




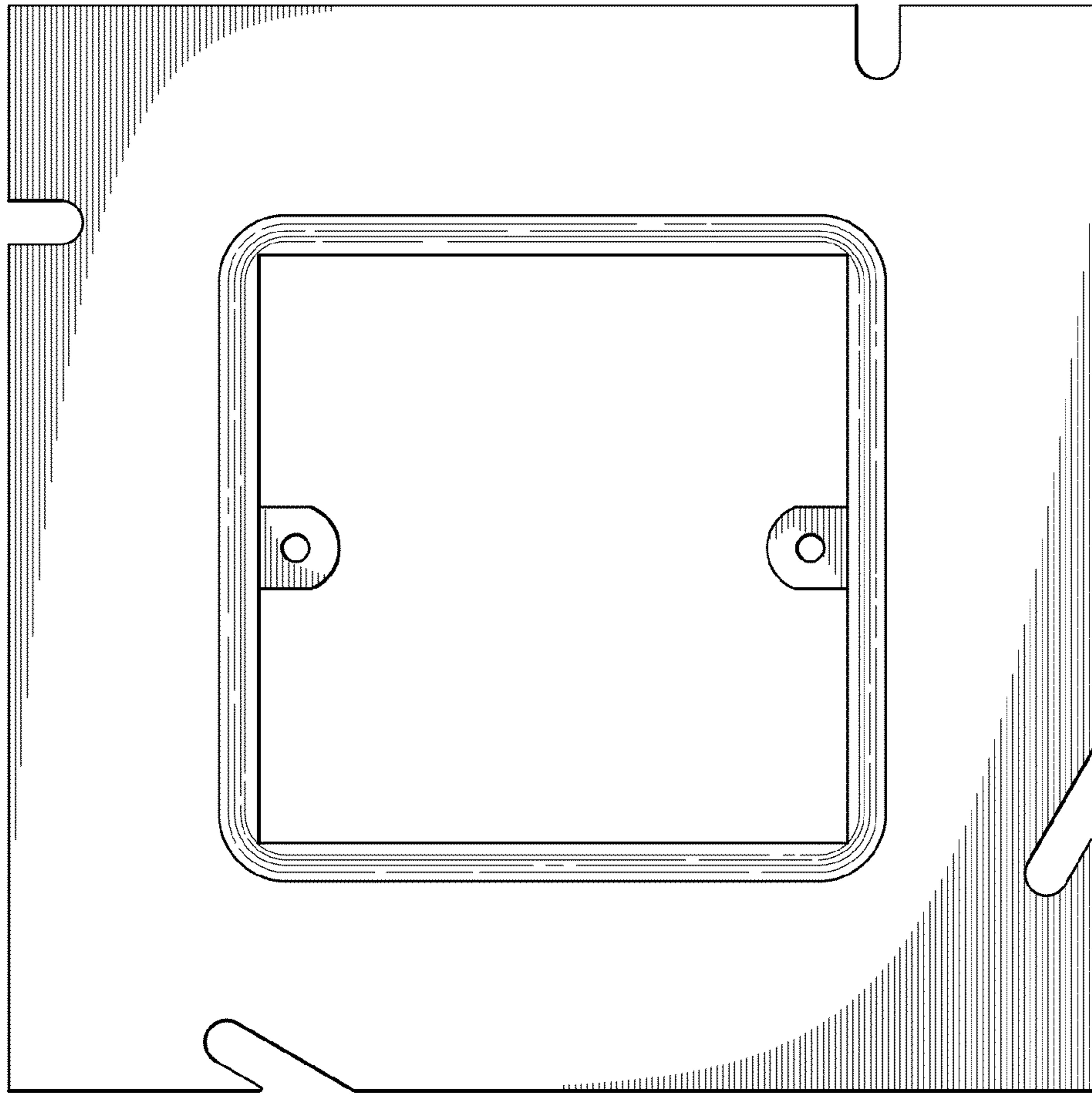
*Fig. 1.*



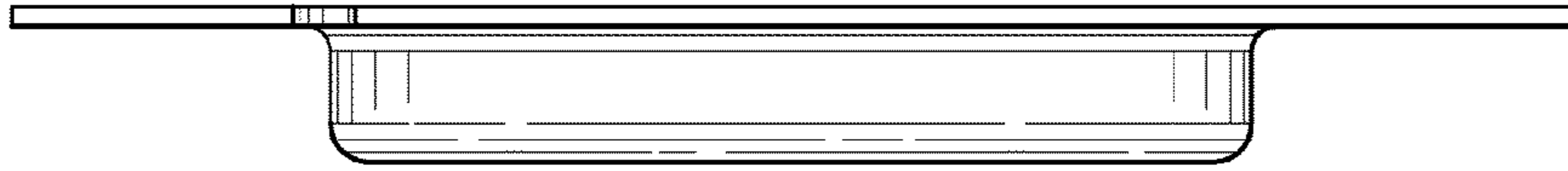
*Fig. 2.*



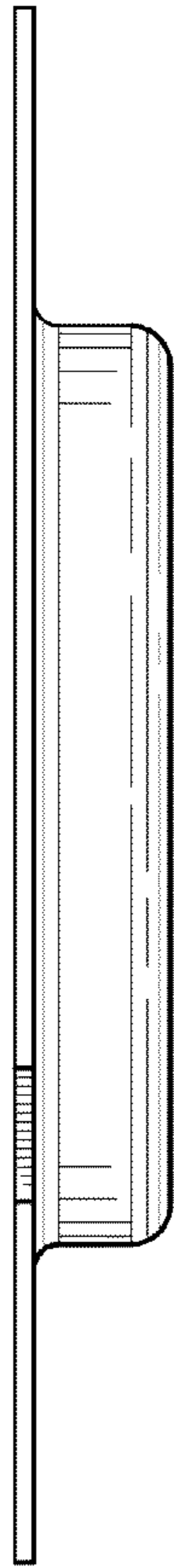
*Fig. 3.*



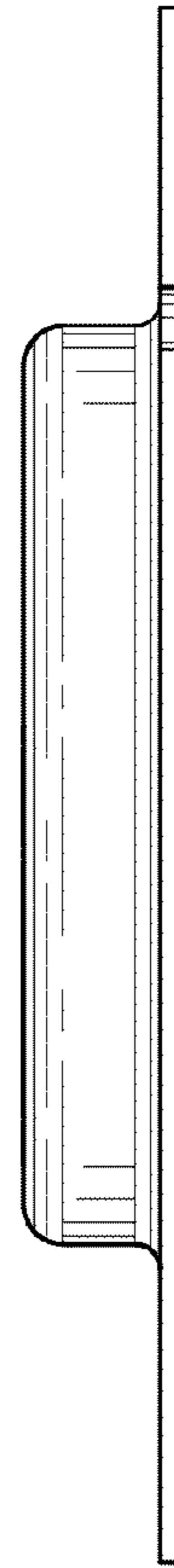
*Fig. 4.*



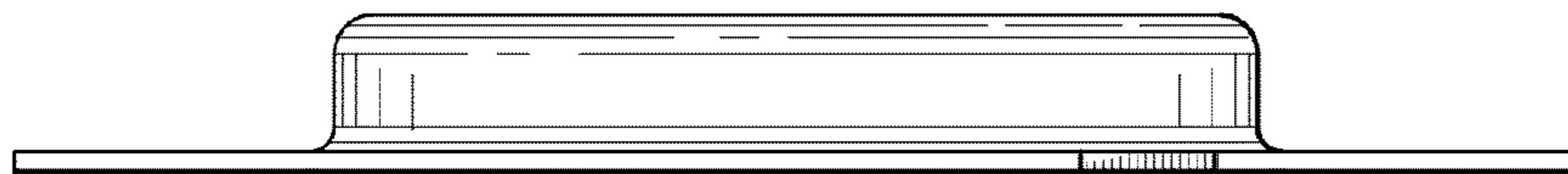
*Fig. 5.*



*Fig. 7.*



*Fig. 8.*



*Fig. 6.*