



US00D707634S

(12) **United States Design Patent**  
**Pizzi**

(10) **Patent No.:** **US D707,634 S**

(45) **Date of Patent:** **\*\* Jun. 24, 2014**

(54) **ELECTRICAL TERMINAL**

(75) Inventor: **Giordano Pizzi**, Milan (IT)

(73) Assignee: **Morsettitalia S.p.A.**, Milan (IT)

(\*\*) Term: **14 Years**

(21) Appl. No.: **29/424,692**

(22) Filed: **Jun. 14, 2012**

(30) **Foreign Application Priority Data**

Dec. 15, 2011 (EM) ..... 001963018

(51) **LOC (10) Cl.** ..... **13-03**

(52) **U.S. Cl.**  
USPC ..... **D13/154**

(58) **Field of Classification Search**  
USPC ..... D13/133, 147, 154, 184, 199; 439/839,  
439/849, 850, 852, 862, 870, 877, 884, 885,  
439/887, 888, 889, 890, 891

See application file for complete search history.

(56) **References Cited**

U.S. PATENT DOCUMENTS

D599,311 S \* 9/2009 Correll et al. .... D13/184  
D695,217 S \* 12/2013 Dasbach ..... D13/110  
D695,219 S \* 12/2013 Dasbach ..... D13/110

\* cited by examiner

*Primary Examiner* — Daniel Bui

(74) *Attorney, Agent, or Firm* — Mintz Levin Cohn Ferris  
Glovsky and Popeo, P.C.

(57) **CLAIM**

The ornamental design for an electrical terminal, as shown  
and described.

**DESCRIPTION**

FIG. 1 is a top, front and side perspective view of an electrical  
terminal showing my new design;  
FIG. 2 is a top, rear and side perspective view thereof;  
FIG. 3 is a bottom plan view thereof;  
FIG. 4 is a bottom, front and side perspective view thereof;  
FIG. 5 is a side elevation view thereof; and,  
FIG. 6 is a top plan view thereof.

The broken lines shown in the drawing disclosure are for  
illustrative purposes only and form no part of the claimed  
design.

**1 Claim, 6 Drawing Sheets**

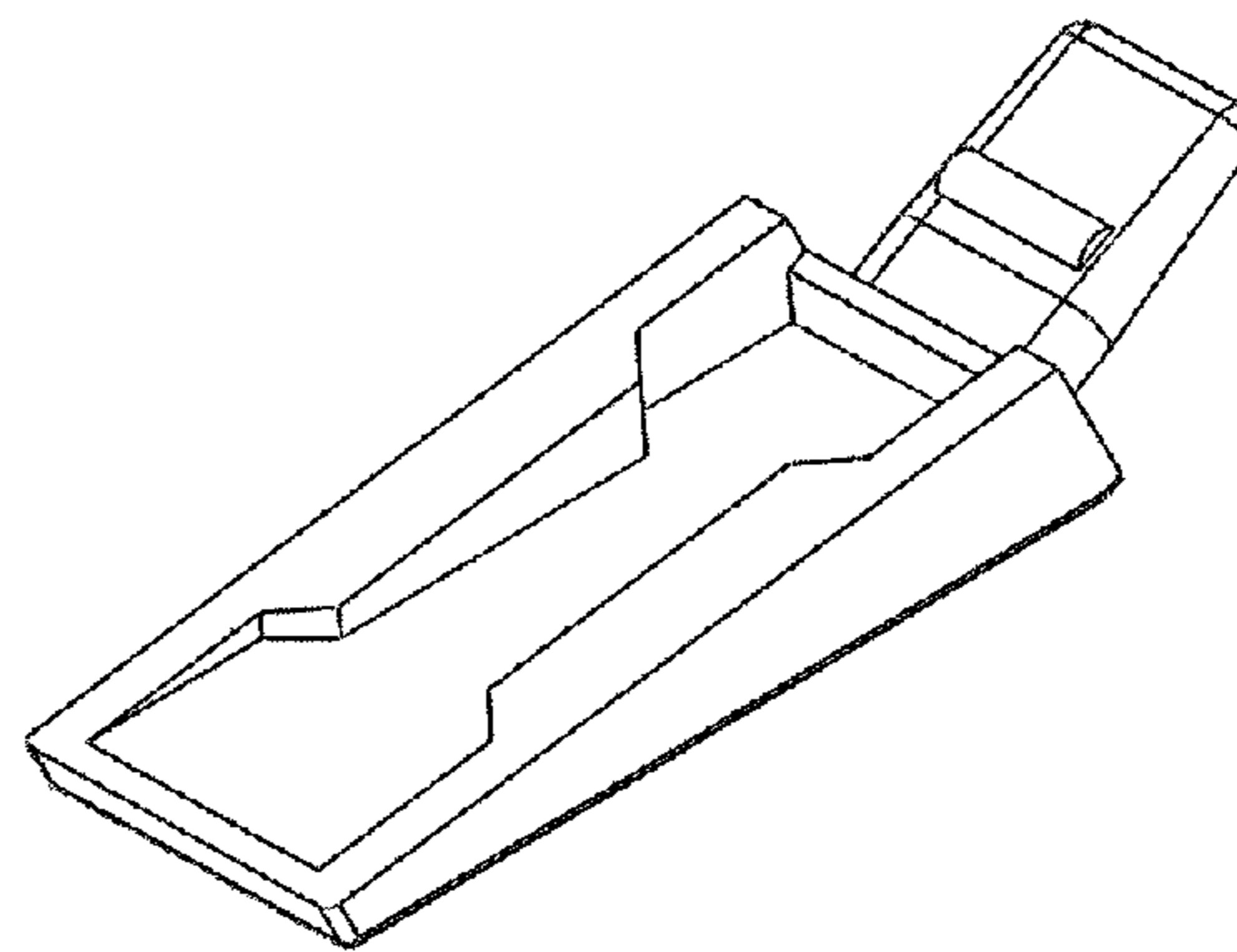
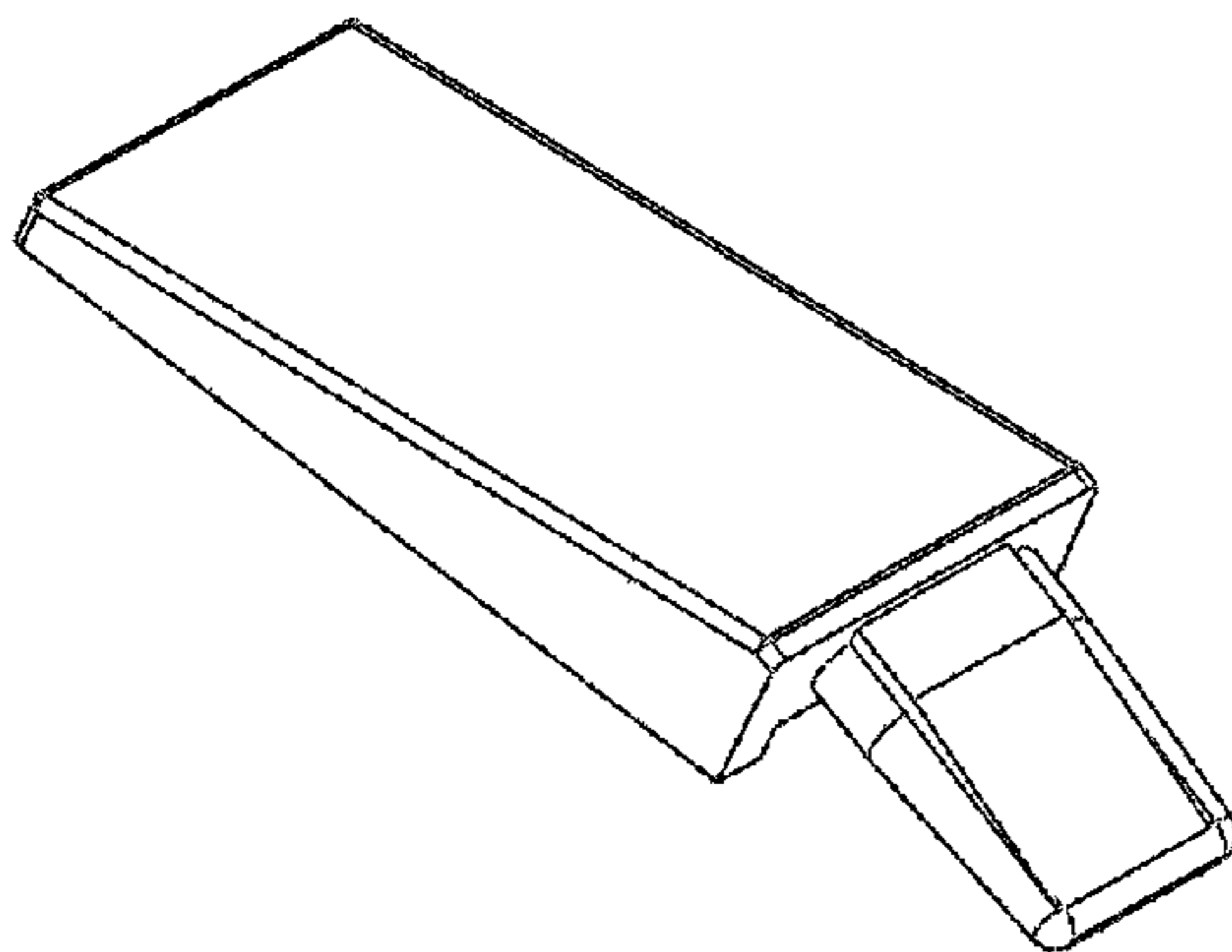


FIG. 1

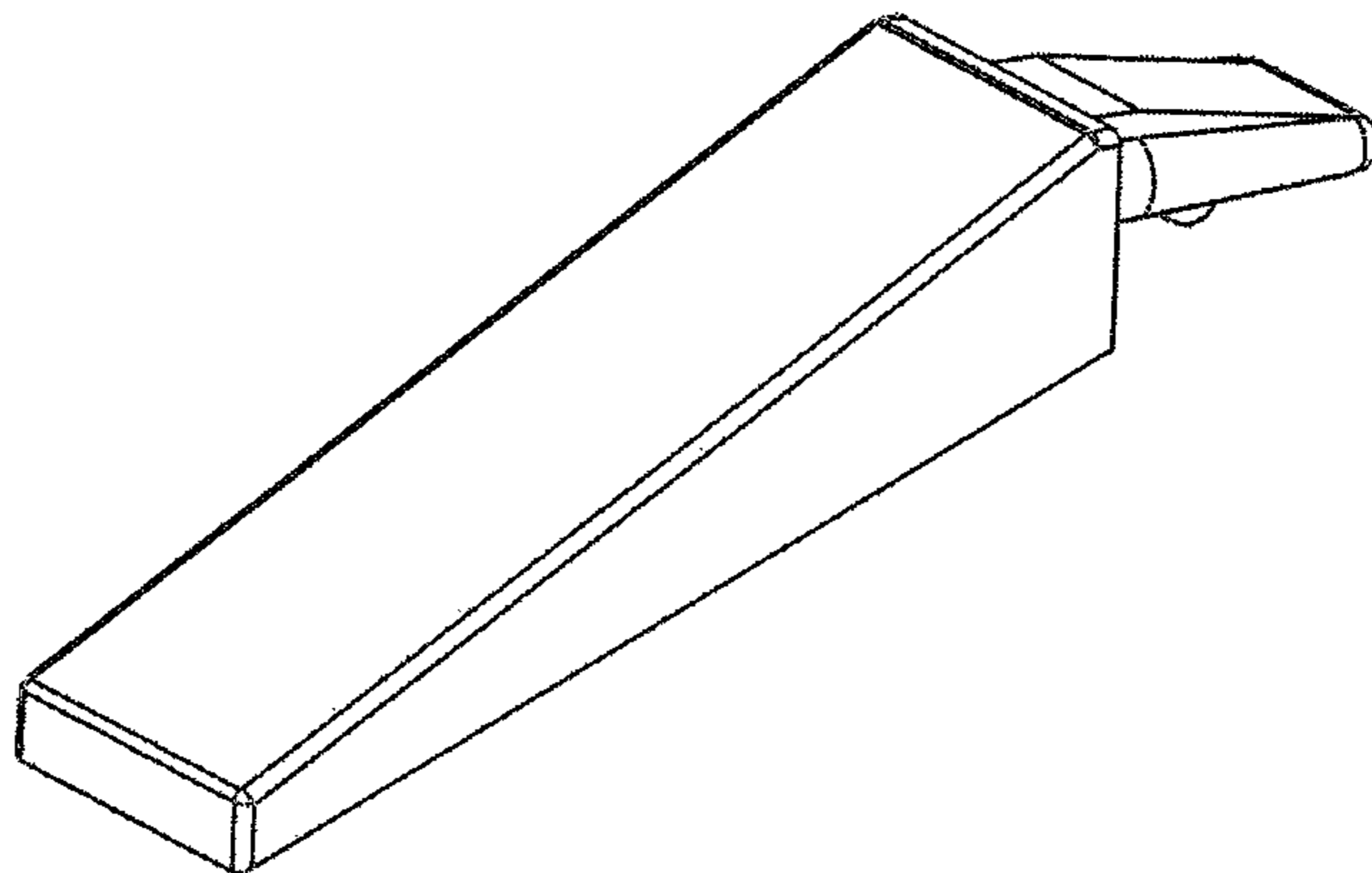


FIG. 2

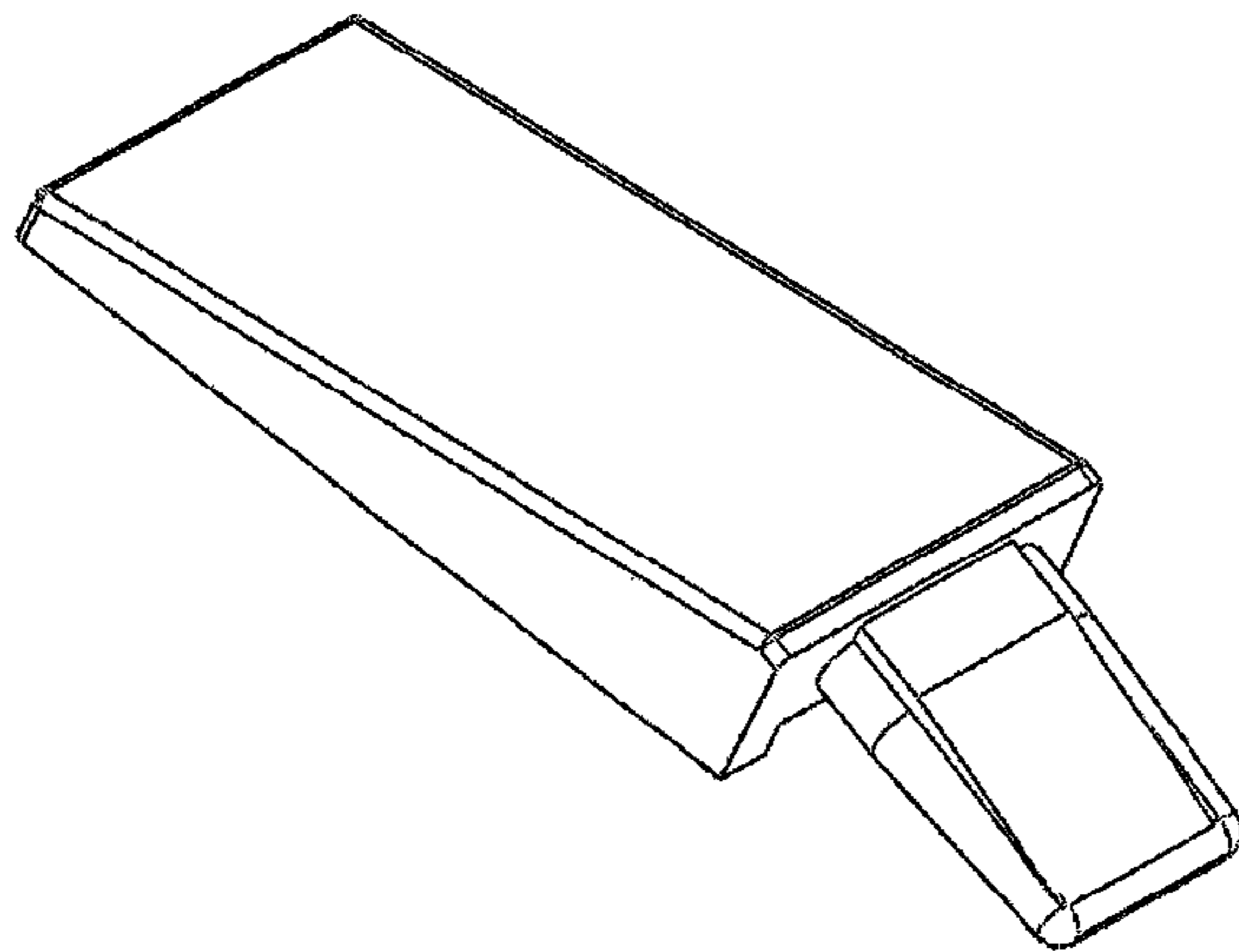


FIG. 3

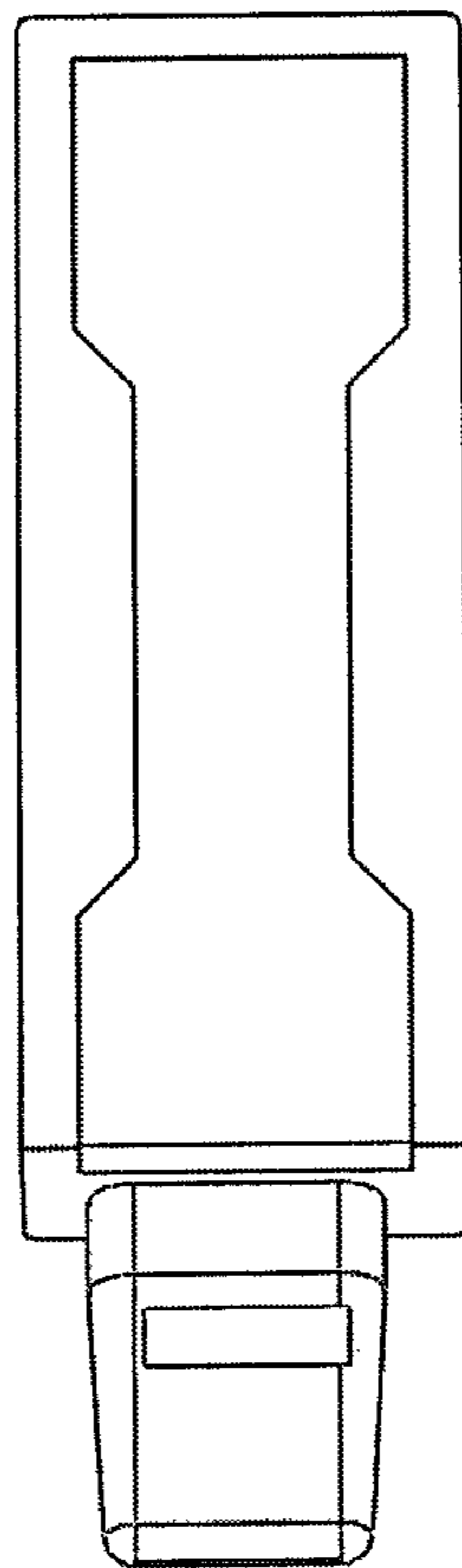


FIG. 4

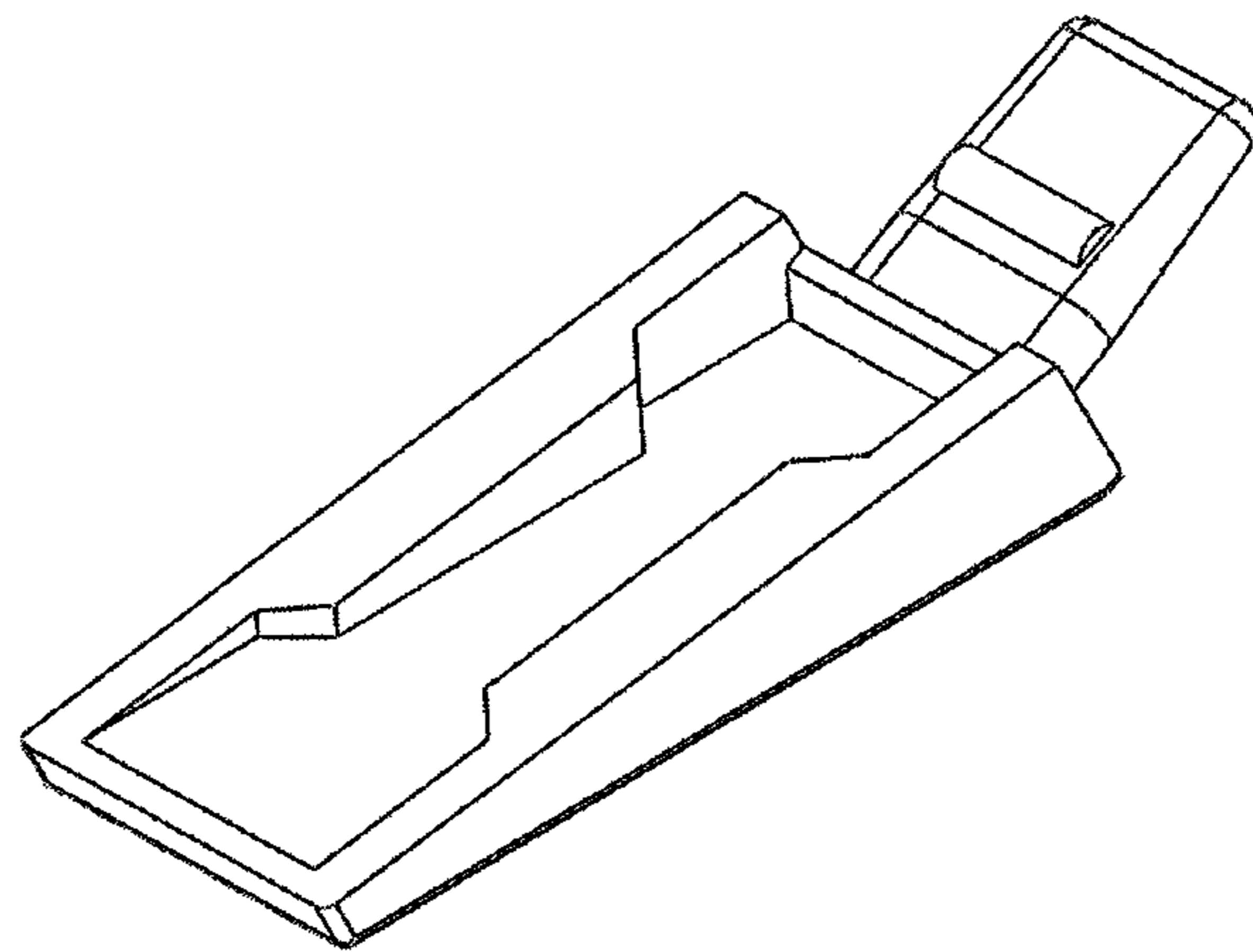


FIG. 5

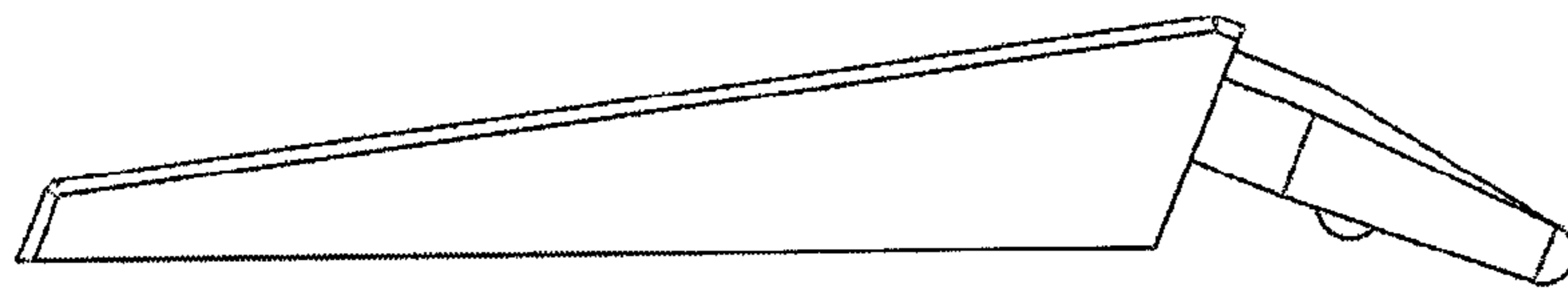


FIG. 6

