



US00D707630S

(12) **United States Design Patent**  
**Kaplan et al.**

(10) **Patent No.:** **US D707,630 S**

(45) **Date of Patent:** **\*\* Jun. 24, 2014**

(54) **BASE PLATE OF OPTICAL FIBER SPLICE CASSETTE**

(71) Applicant: **Multilink, Inc.**, Elyria, OH (US)

(72) Inventors: **Steven E. Kaplan**, Elyria, OH (US);  
**Steven A. Brown**, Amherst, OH (US)

(73) Assignee: **Multilink, Inc.**, Elyria, OH (US)

(\*\*) Term: **14 Years**

(21) Appl. No.: **29/438,353**

(22) Filed: **Nov. 29, 2012**

(51) **LOC (10) Cl.** ..... **13-03**

(52) **U.S. Cl.**  
USPC ..... **D13/133**

(58) **Field of Classification Search**  
CPC ..... G02B 6/4453; G02B 6/4454; G02B 6/00  
USPC ..... D13/133, 184, 475, 496, 164; D14/484,  
D14/256; 385/135, 134, 136, 138, 147, 53,  
385/54; 439/528

See application file for complete search history.

(56) **References Cited**

**U.S. PATENT DOCUMENTS**

5,966,492	A *	10/1999	Bechamps et al.	385/135
6,081,644	A *	6/2000	Stateczny et al.	385/135
6,496,638	B1 *	12/2002	Andersen	385/135
6,804,447	B2	10/2004	Smith et al.	
7,110,654	B2 *	9/2006	Dillat	385/135
7,751,674	B2	7/2010	Hill	
8,059,932	B2 *	11/2011	Hill et al.	385/135
D651,595	S *	1/2012	Allwood et al.	D14/256

8,374,477	B2 *	2/2013	Hill	385/135
8,385,711	B2 *	2/2013	Fabrykowski et al.	385/135
8,472,772	B2 *	6/2013	Griffiths et al.	385/135
8,488,934	B2 *	7/2013	Zhou et al.	385/135
8,606,068	B2 *	12/2013	Lee	385/135
2003/0113086	A1	6/2003	Jun et al.	
2009/0290842	A1 *	11/2009	Bran de Leon et al.	385/135
2009/0324189	A1 *	12/2009	Hill et al.	385/135
2010/0061693	A1 *	3/2010	Bran de Leon et al.	385/135
2011/0268415	A1 *	11/2011	Fabrykowski et al.	385/135

**OTHER PUBLICATIONS**

Corning Catalog LAN-1386-EN dated Dec. 2011—7 selected pages.

\* cited by examiner

*Primary Examiner* — Deanna L Pratt

*Assistant Examiner* — Harold Blackwell, II

(74) *Attorney, Agent, or Firm* — Renner, Otto, Boisselle & Sklar, LLP

(57) **CLAIM**

The ornamental design for a base plate of optical fiber splice cassette, as shown and described.

**DESCRIPTION**

FIG. 1 is a front top perspective view of the base plate showing our new design.

FIG. 2 is a top plan view thereof.

FIG. 3 is a front view thereof.

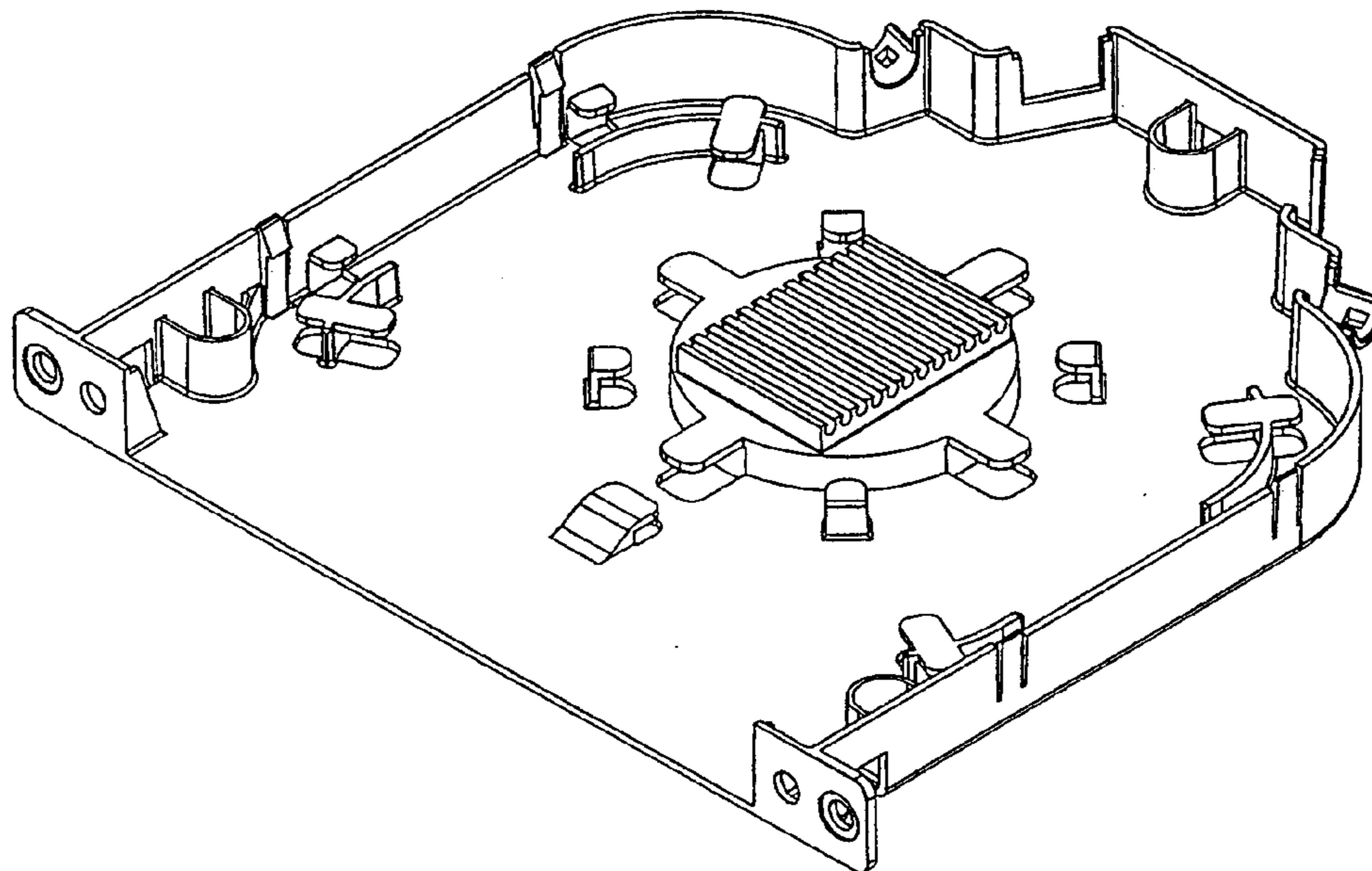
FIG. 4 is a rear view thereof.

FIG. 5 is a left side view thereof; and,

FIG. 6 is a right side view thereof.

The bottom of the base plate forms no part of the claimed design.

**1 Claim, 2 Drawing Sheets**



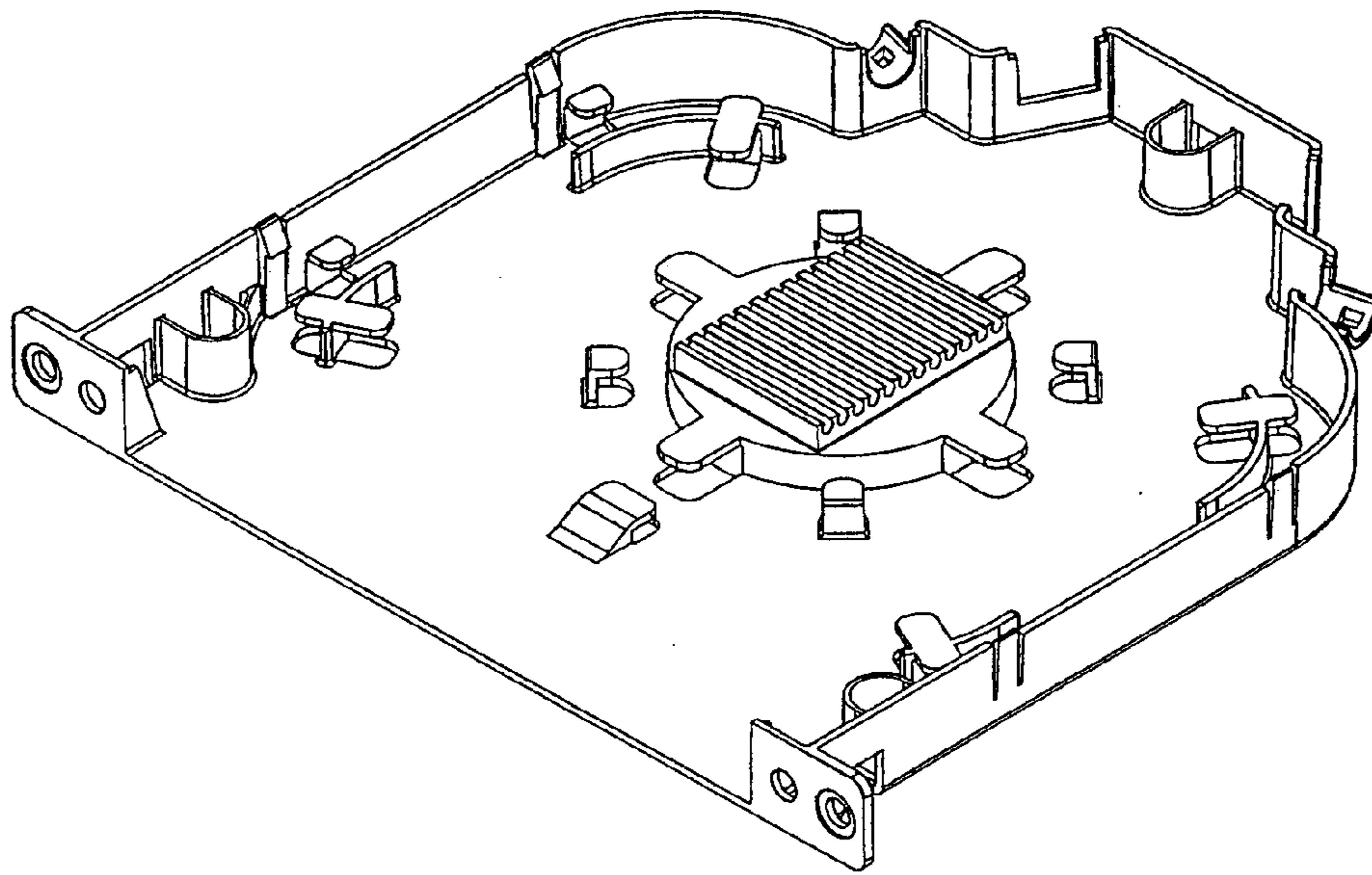


FIG. 1

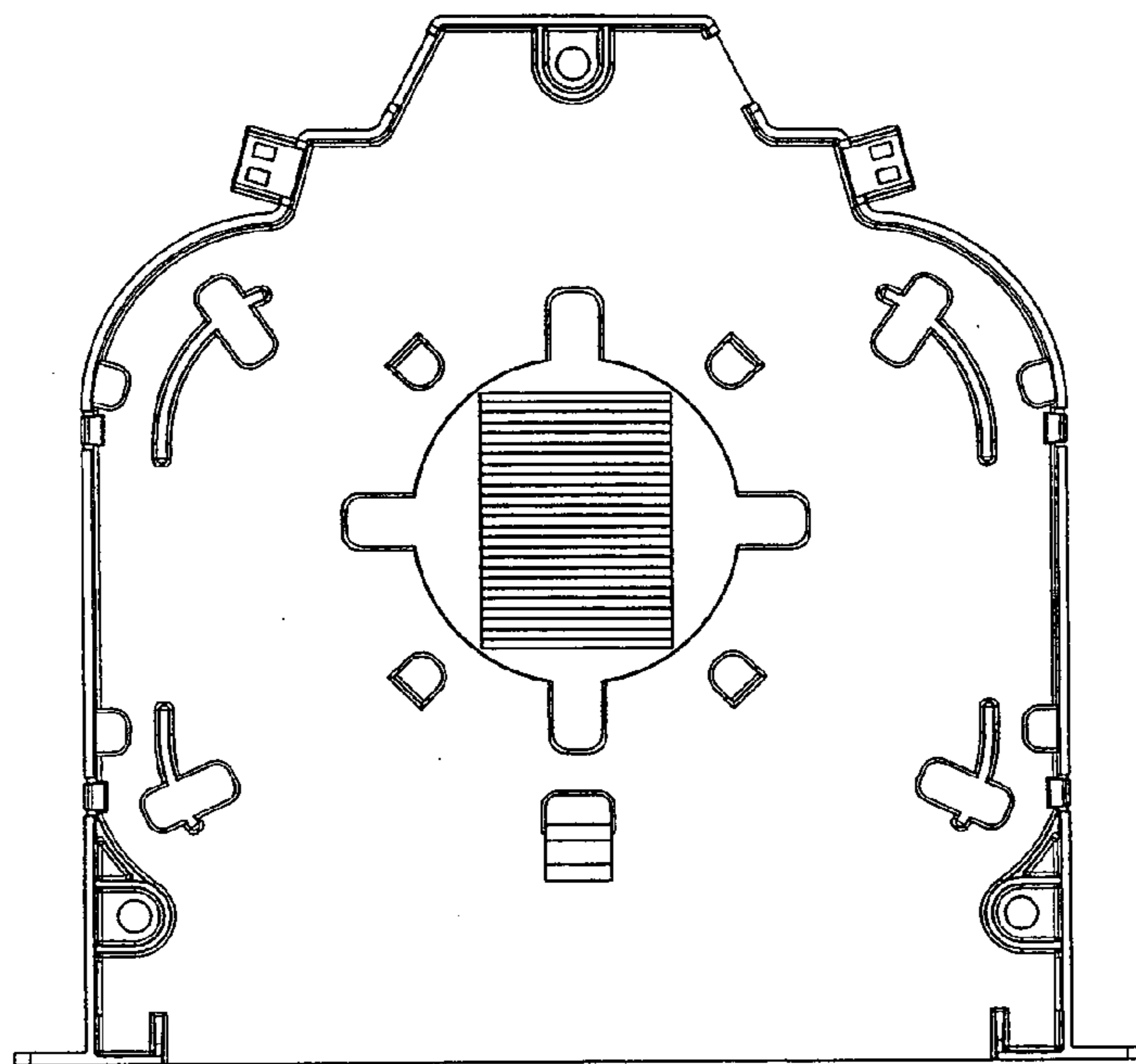


FIG. 2

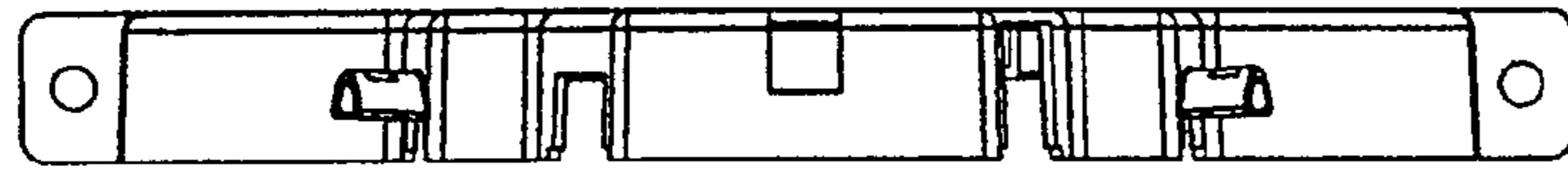


FIG. 4

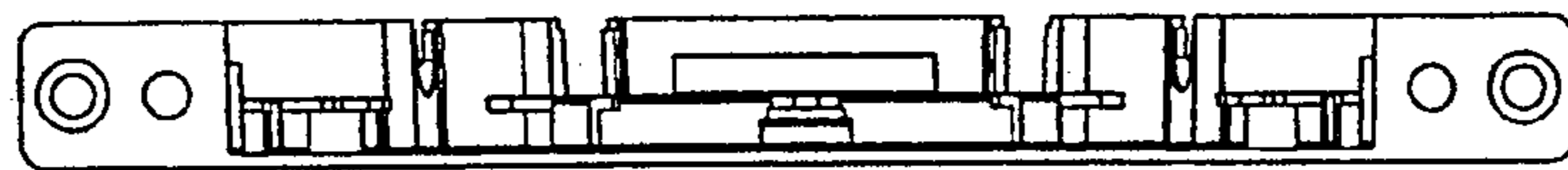


FIG. 3



FIG. 5

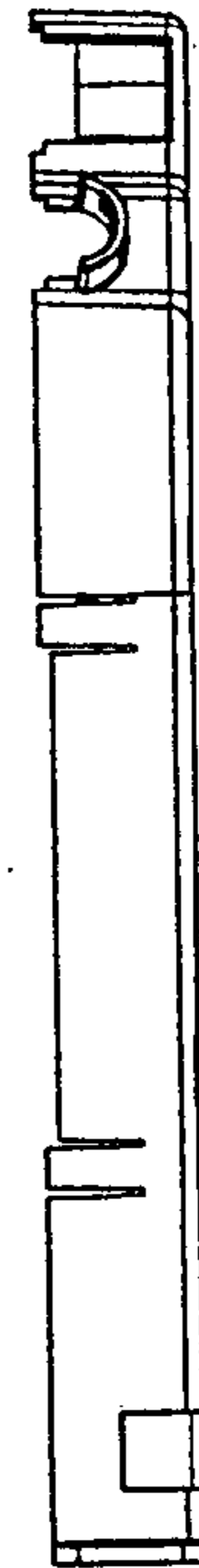


FIG. 6