



US00D707629S

(12) **United States Design Patent**
Cocks et al.

(10) **Patent No.:** **US D707,629 S**
(45) **Date of Patent:** **** Jun. 24, 2014**

(54) **END CAP**

(71) Applicant: **Regal Beloit America, Inc.**, Beloit, WI (US)

(72) Inventors: **Rachele Barbara Cocks**, Columbia City, IN (US); **Michael A. Marks**, Fort Wayne, IN (US); **Mark A. Brattoli**, Fort Wayne, IN (US)

(73) Assignee: **Regal Beloit America, Inc.**, Beloit, WI (US)

(**) Term: **14 Years**

(21) Appl. No.: **29/444,695**

(22) Filed: **Feb. 1, 2013**

(51) **LOC (10) Cl.** **13-01**

(52) **U.S. Cl.**
USPC **D13/122**

(58) **Field of Classification Search**
USPC D13/122, 112, 113, 114, 118, 184, 199;
D15/1, 5; 29/596, 598; 310/40 MM,
310/40 R, 85, 88, 89, 239; 322/16, 39
See application file for complete search history.

(56) **References Cited**

U.S. PATENT DOCUMENTS

D268,022 S *	2/1983	Lenz et al.	D13/122
4,673,837 A *	6/1987	Gingerich et al.	310/239
D294,141 S *	2/1988	Ueda et al.	D13/112
D325,560 S *	4/1992	Baines	D13/112
D360,615 S *	7/1995	Sakashita et al.	D13/112

D401,553 S *	11/1998	Pearce et al.	D13/112
6,735,081 B1	5/2004	Bishop et al.		
D567,177 S *	4/2008	Chan	D13/122
7,505,269 B1	3/2009	Cosley et al.		
D611,410 S *	3/2010	Sturm et al.	D13/112
7,813,111 B2	10/2010	Anderson et al.		
7,929,294 B2	4/2011	Yeh et al.		
D642,200 S *	7/2011	Jiang et al.	D15/5
8,059,383 B2	11/2011	Post et al.		
8,081,466 B2	12/2011	Kaufman et al.		
8,148,648 B2	4/2012	Nelson et al.		
8,214,086 B2	7/2012	Thompson et al.		

* cited by examiner

Primary Examiner — Derrick Holland

(74) *Attorney, Agent, or Firm* — Armstrong Teasdale LLP

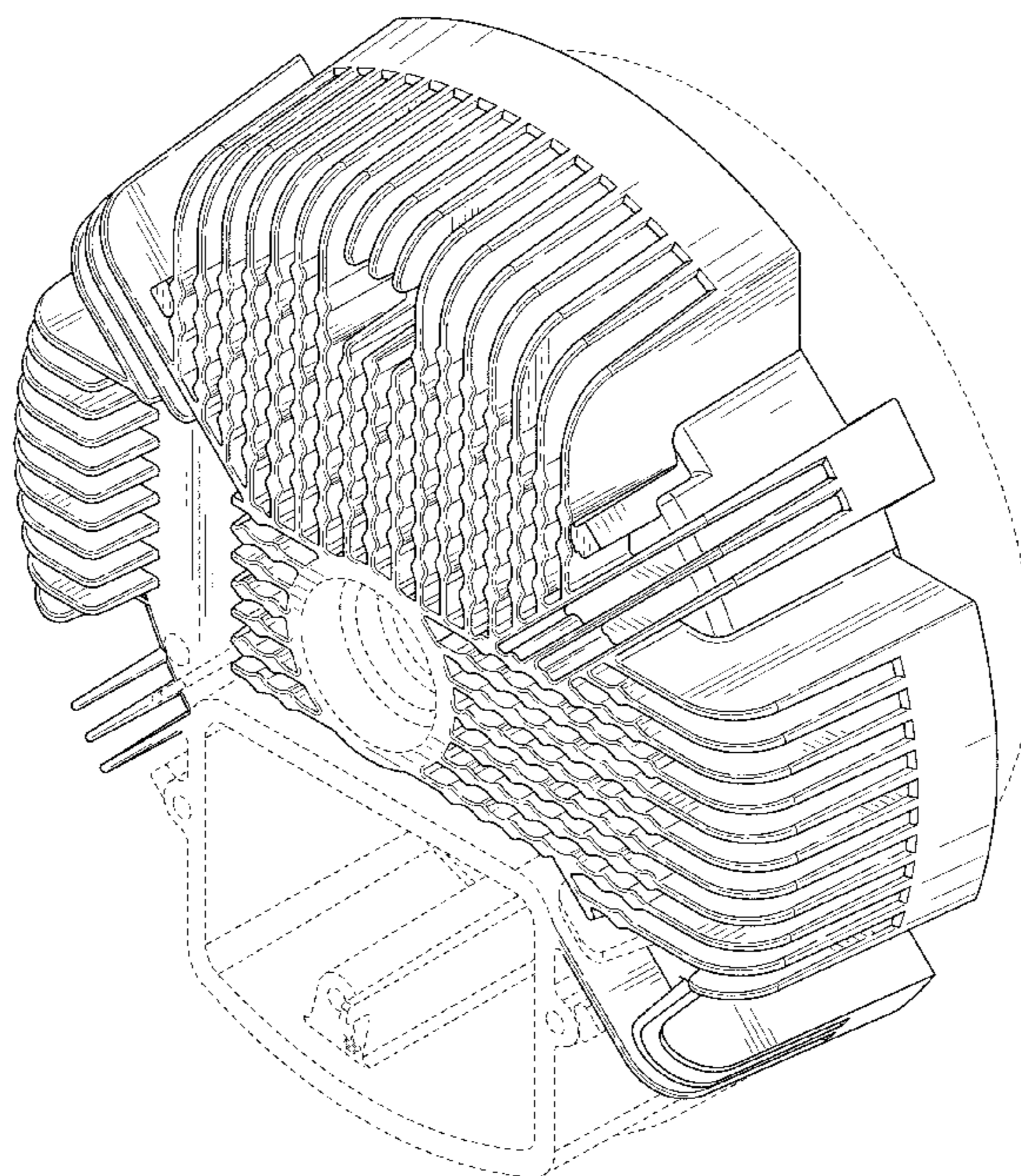
(57) **CLAIM**

We claim the ornamental design for an end cap, as shown and described.

DESCRIPTION

FIG. 1 is a front perspective view of an end cap showing our new design;
FIG. 2 is a front view of the end cap as shown in FIG. 1;
FIG. 3 is a rear view of the end cap as shown in FIG. 1;
FIG. 4 is a right side view of the end cap as shown in FIG. 1;
FIG. 5 is a left side view of the end cap as shown in FIG. 1;
FIG. 6 is a top view of the end cap as shown in FIG. 1; and,
FIG. 7 is a bottom view of the end cap as shown in FIG. 1.
The broken lines shown represent unclaimed subject matter only and form no part of the claim.

1 Claim, 5 Drawing Sheets



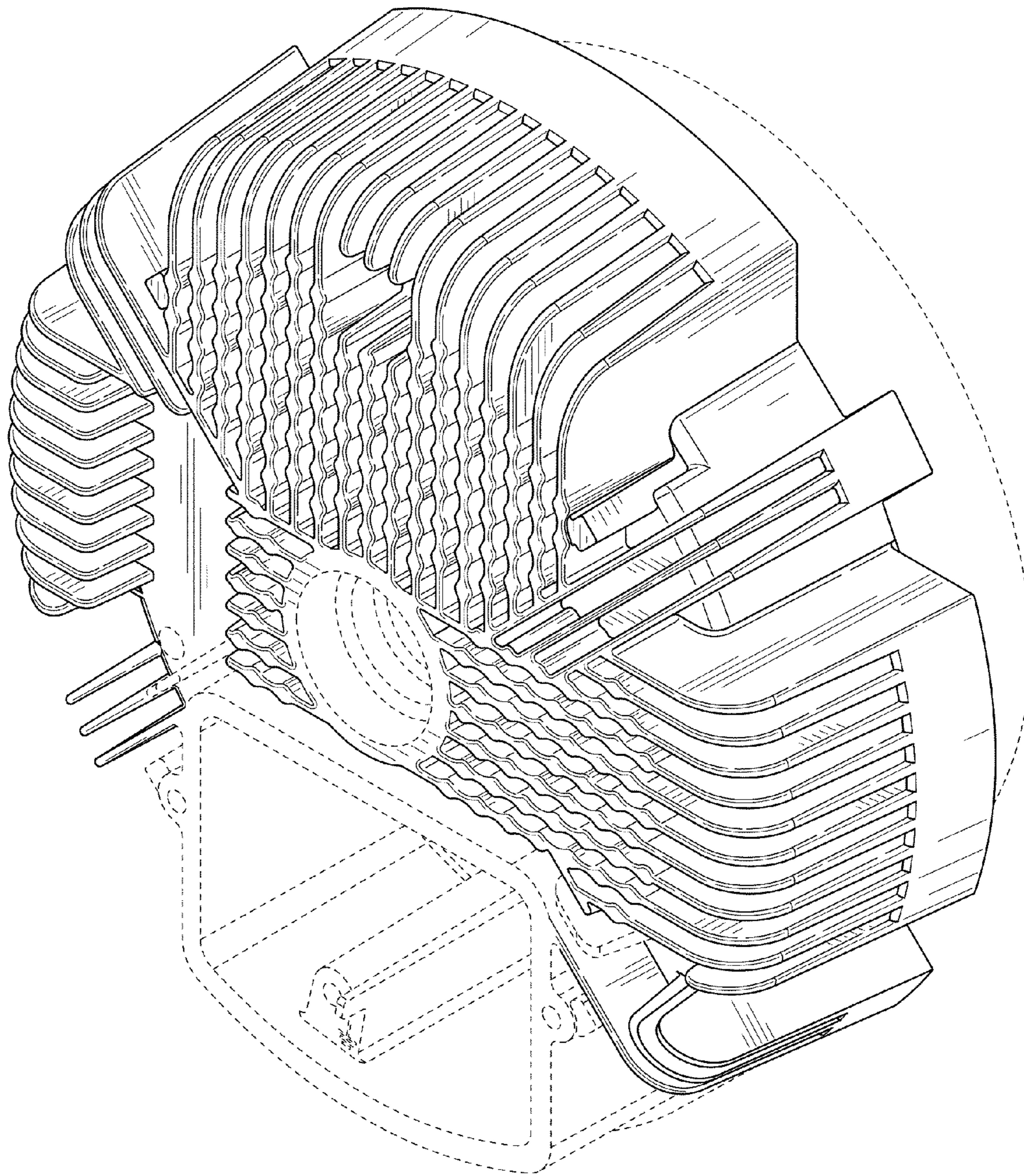


FIG. 1

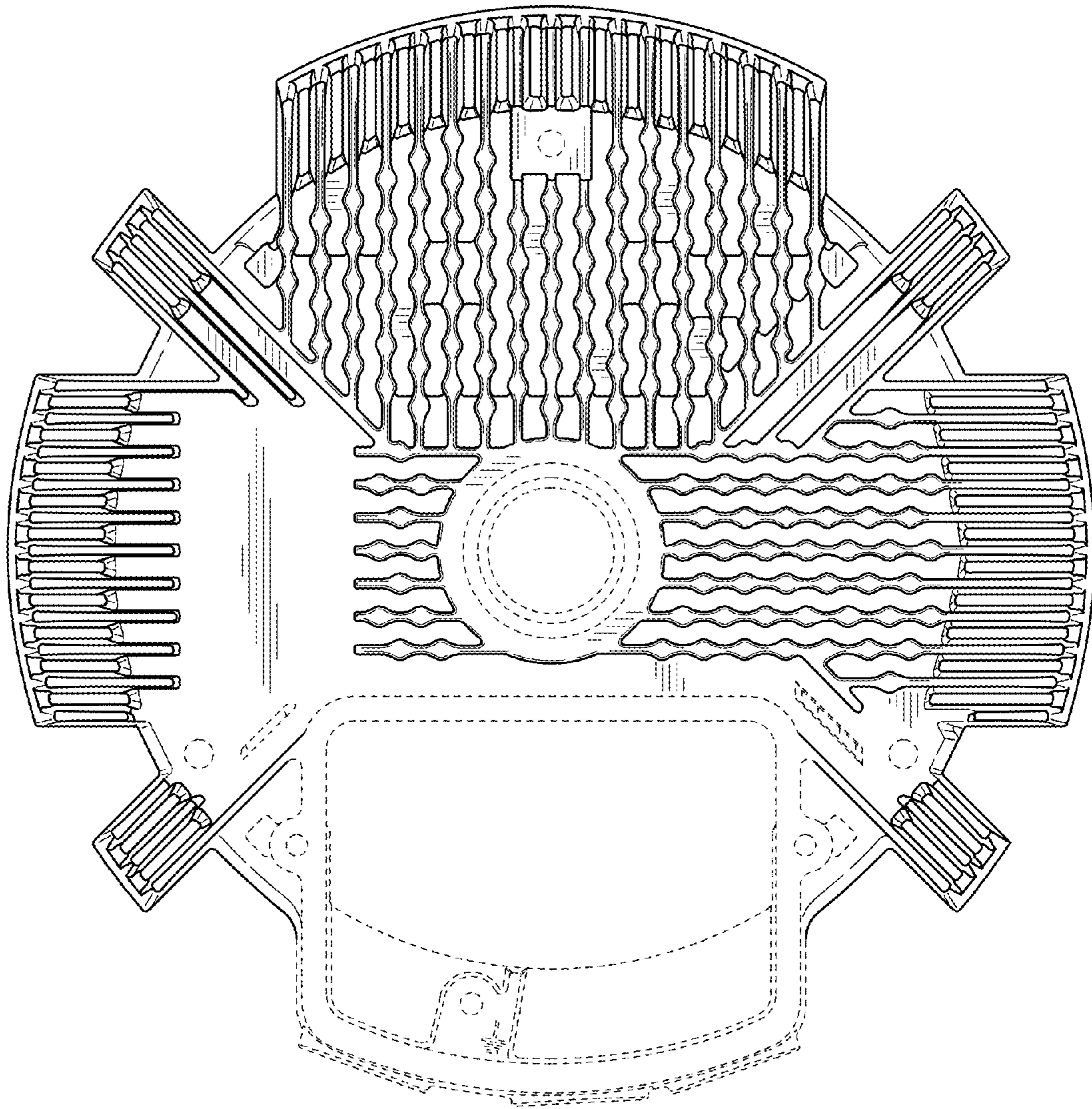


FIG. 2

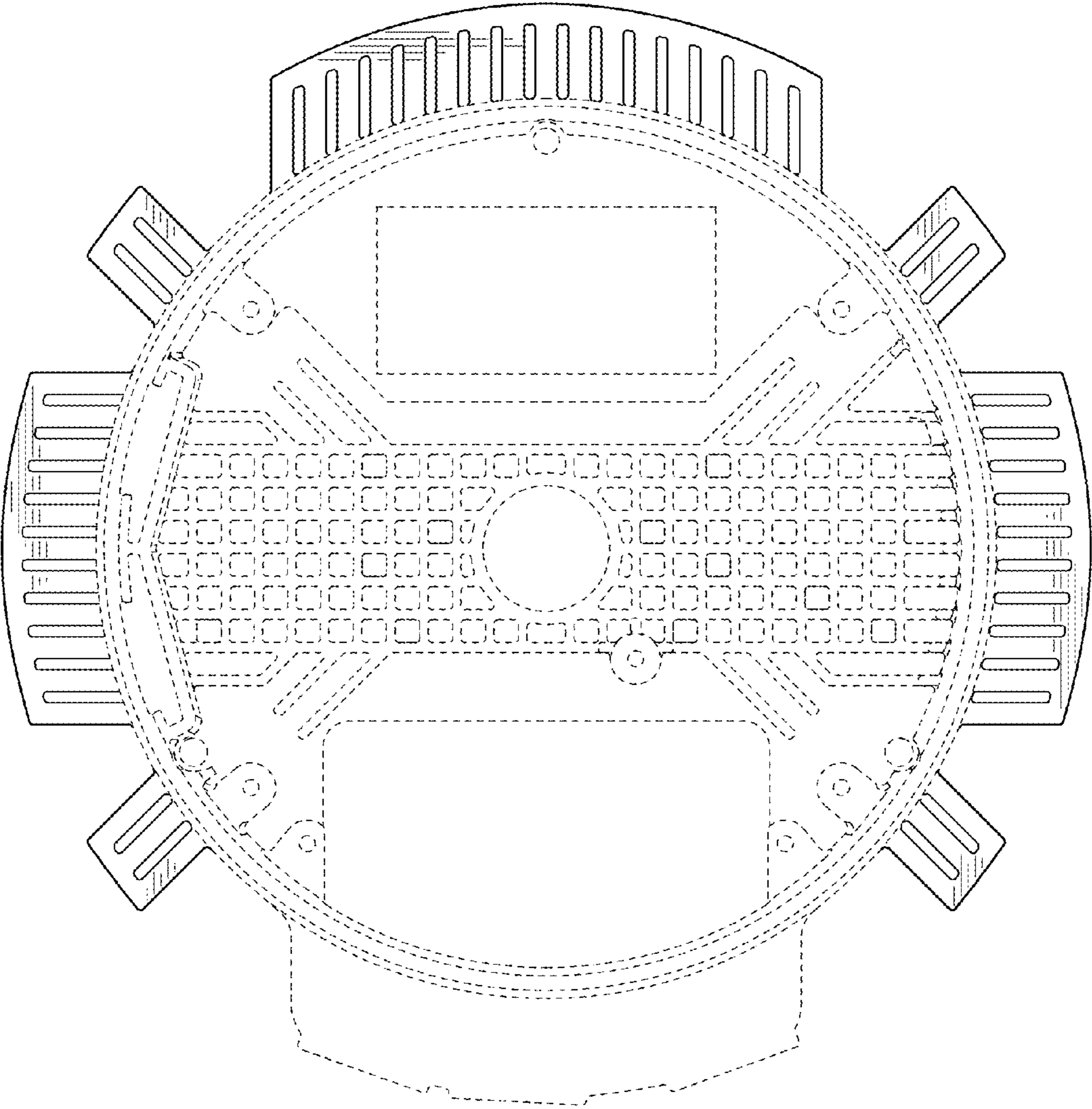


FIG. 3

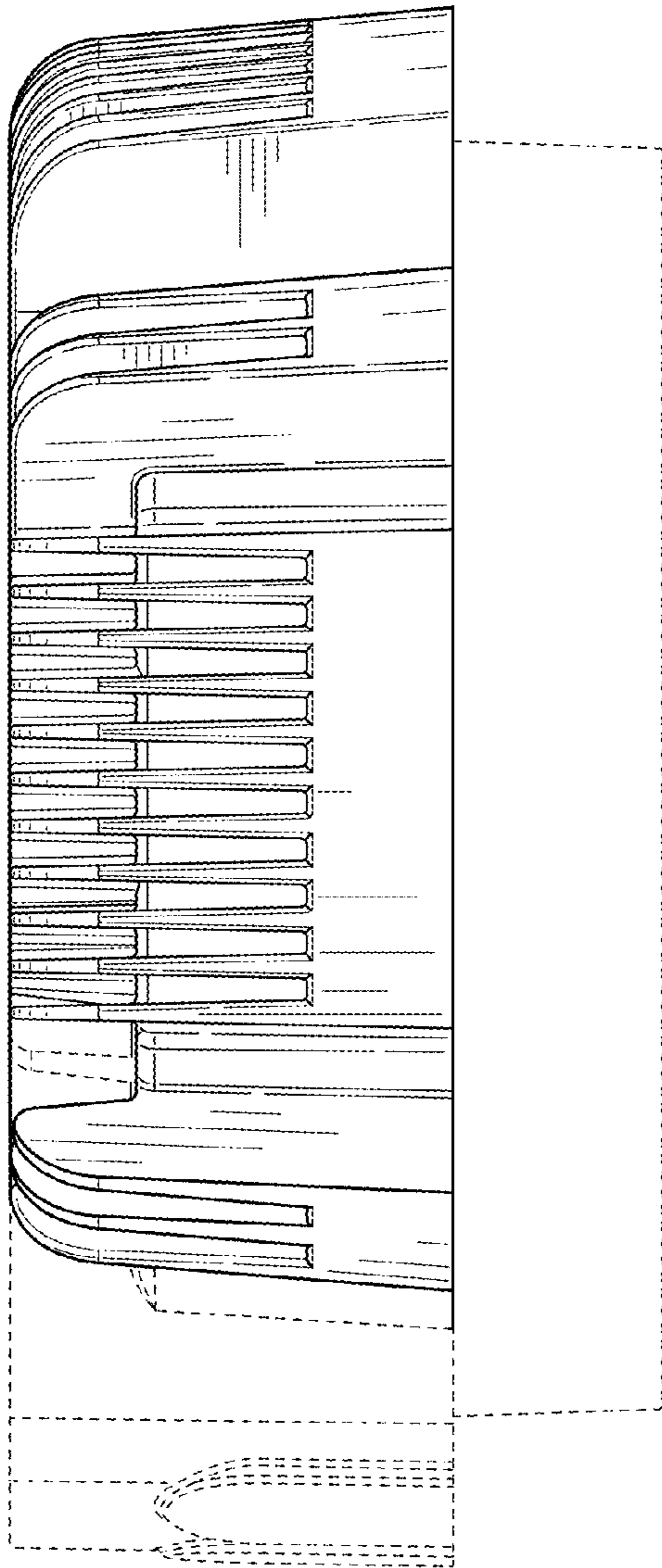


FIG. 4

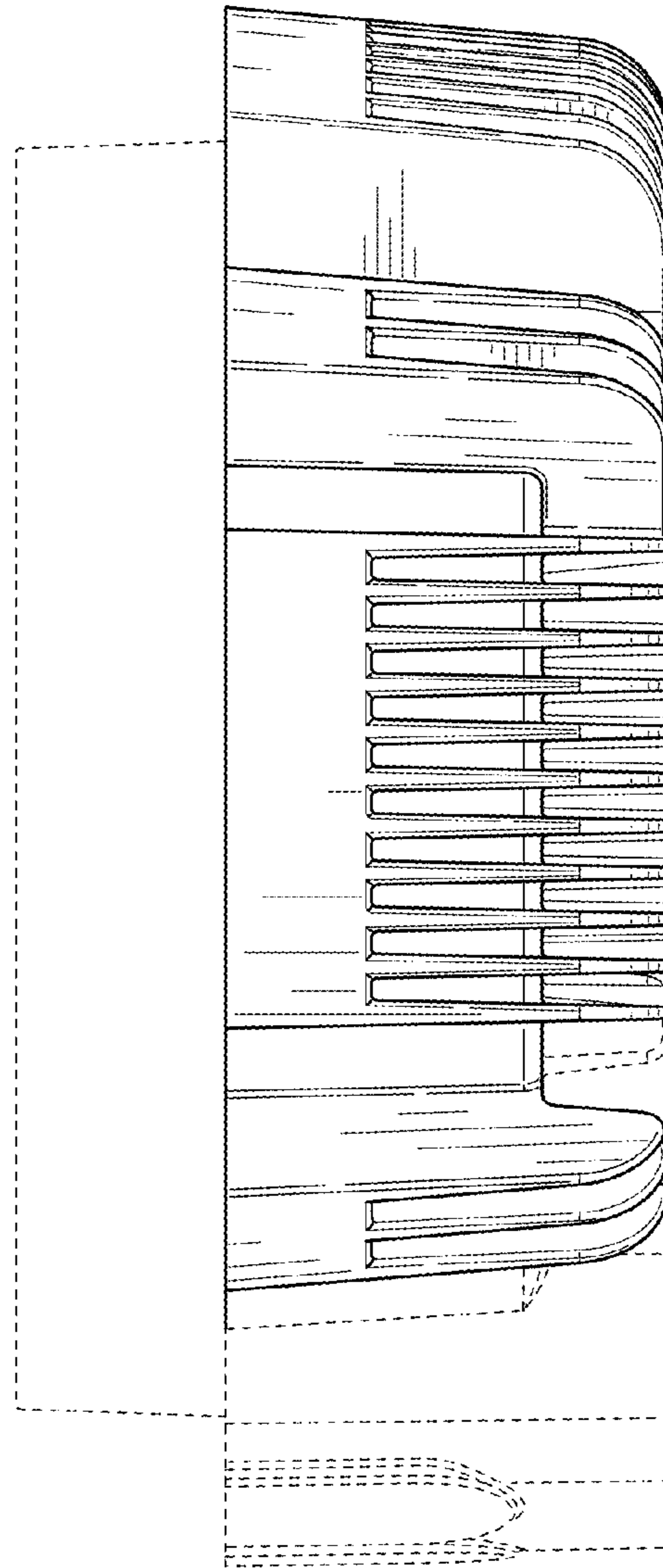


FIG. 5

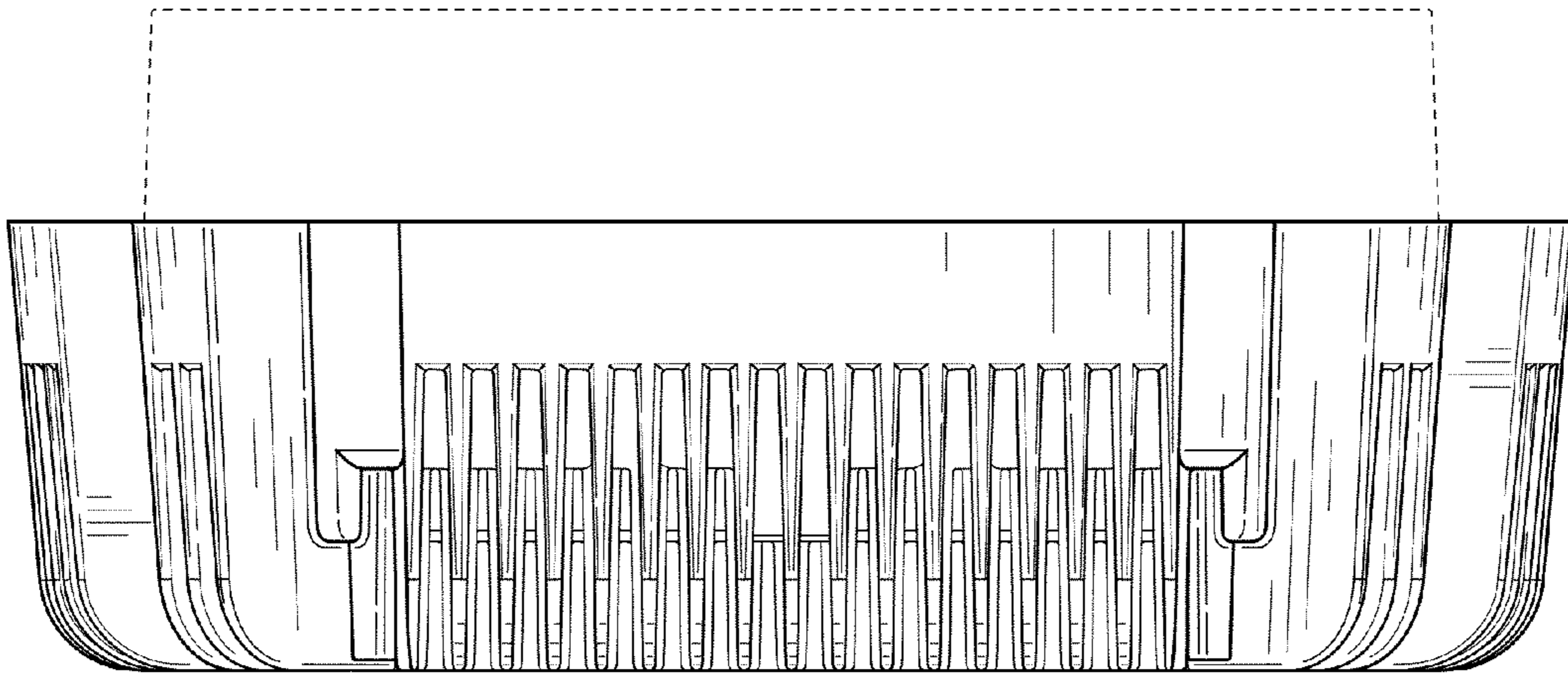


FIG. 6

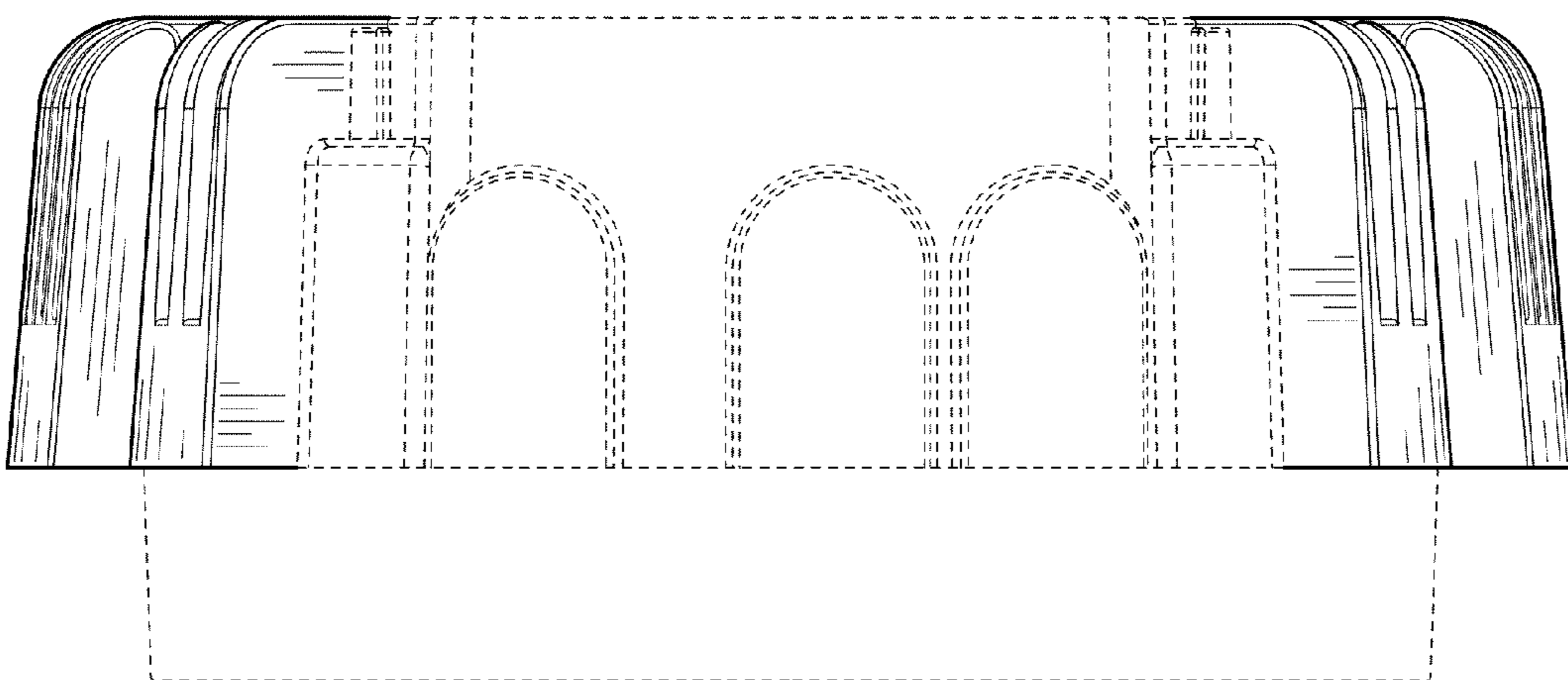


FIG. 7