

US00D707628S

(12) **United States Design Patent**  
**Guinard**

(10) **Patent No.:** **US D707,628 S**  
(45) **Date of Patent:** **\*\* Jun. 24, 2014**

(54) **TURBINE DEVICE FOR GENERATING ELECTRICITY FROM OCEAN CURRENTS**

(75) Inventor: **Paul Guinard**, Saint Cloud (FR)

(73) Assignee: **Guinard Energies Sarl**, Brest (FR)

(\*\*) Term: **14 Years**

(21) Appl. No.: **29/399,981**

(22) Filed: **Aug. 22, 2011**

(30) **Foreign Application Priority Data**

Feb. 22, 2011 (EM) ..... 1824525-0001  
Feb. 22, 2011 (EM) ..... 1824525-0002  
Feb. 22, 2011 (EM) ..... 1824525-0003

(51) **LOC (10) Cl.** ..... **13-01**

(52) **U.S. Cl.**  
USPC ..... **D13/115**

(58) **Field of Classification Search**  
USPC ..... D13/101, 114, 115, 118, 122, 184, 199;  
D12/344, 345; D15/1, 199; 290/52, 54,  
290/55; 415/2.1, 3.1, 4.1-4.5, 7, 10, 21, 24,  
415/37, 38, 60, 64, 66, 67, 68, 127, 129,  
415/132, 138, 141, 142, 176, 177, 916  
See application file for complete search history.

(56) **References Cited**

**U.S. PATENT DOCUMENTS**

1,671,083 A \* 5/1928 Nagler ..... 60/696  
1,846,086 A \* 2/1932 Christensen ..... 415/60  
2,342,223 A \* 2/1944 Robertson ..... 415/66  
4,110,631 A \* 8/1978 Salter ..... 290/55

4,159,427 A \* 6/1979 Wiedemann ..... 290/55  
D374,656 S \* 10/1996 Richardson ..... D13/115  
7,462,949 B2 \* 12/2008 Coman ..... 290/54  
7,471,009 B2 \* 12/2008 Davis et al. .... 290/54  
2008/0284176 A1 \* 11/2008 Fraenkel ..... 290/54  
2009/0224552 A1 \* 9/2009 Sulentic ..... 290/55  
2010/0270802 A1 \* 10/2010 Presz et al. .... 290/52  
2011/0058929 A1 \* 3/2011 Smith et al. .... 415/3.1

\* cited by examiner

*Primary Examiner* — Derrick Holland

*Assistant Examiner* — Lauren Calve

(74) *Attorney, Agent, or Firm* — Stites & Harbison PLLC;  
Douglas E. Jackson

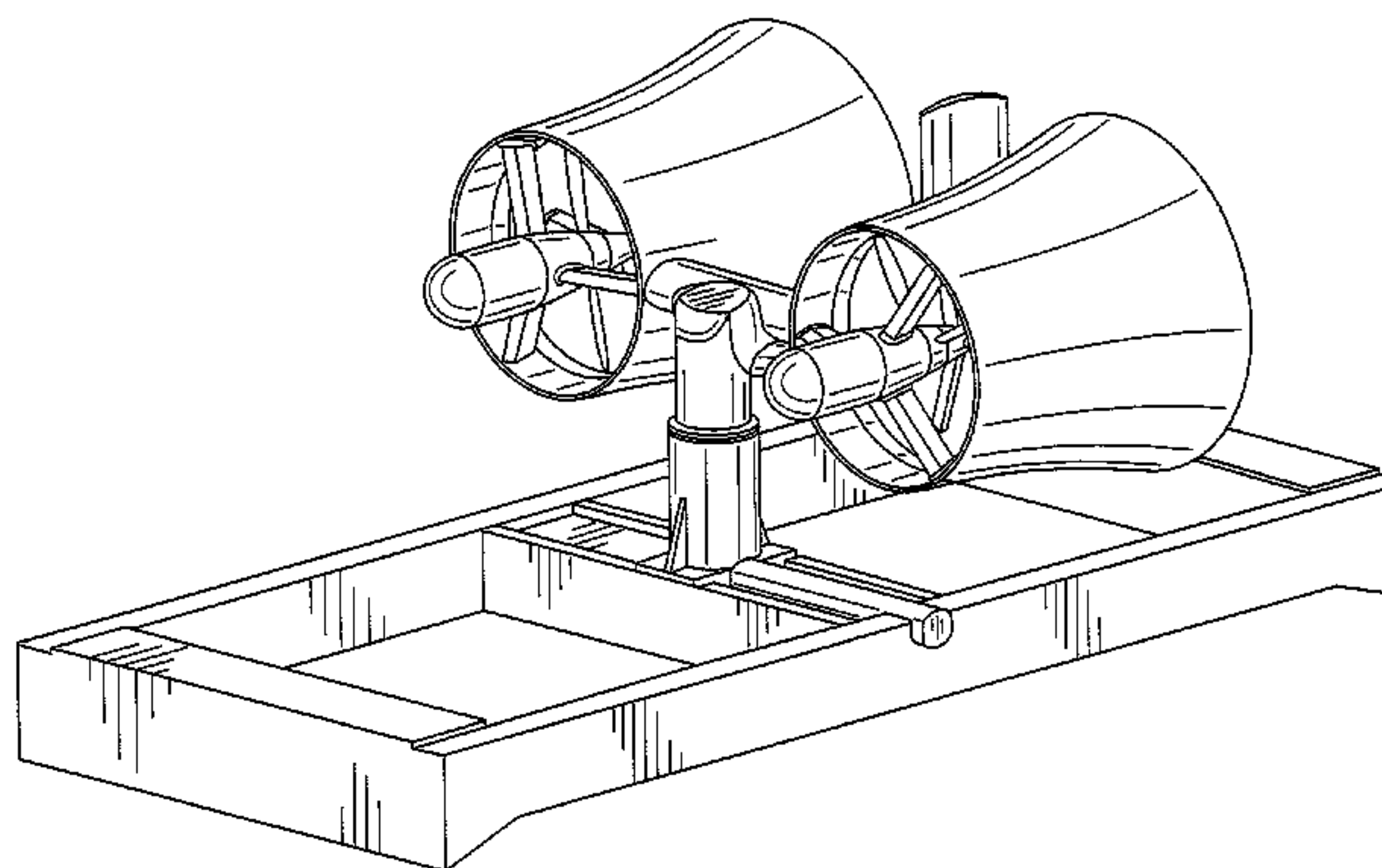
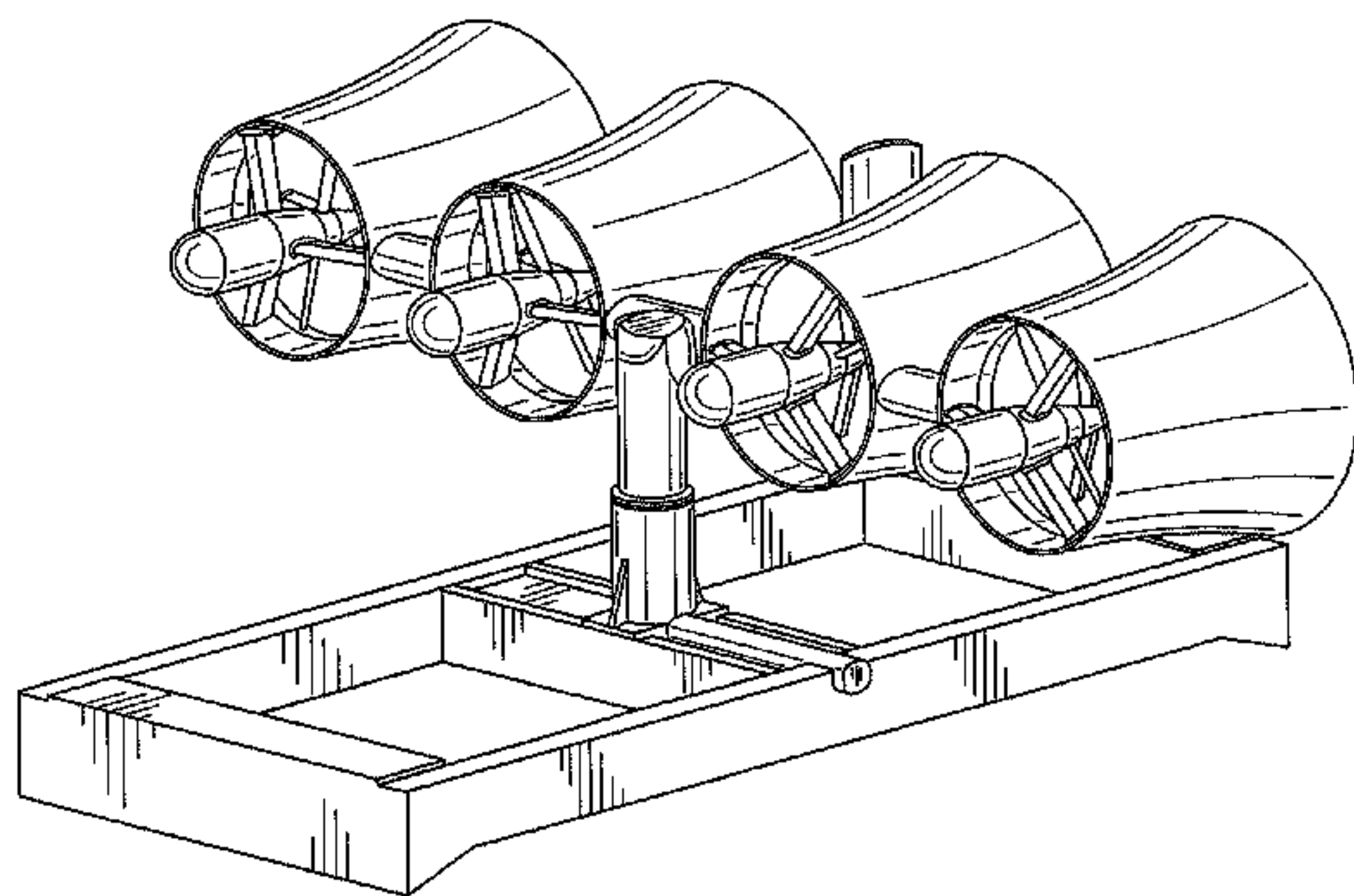
(57) **CLAIM**

The ornamental design for a turbine device for generating electricity from ocean currents, as shown and described.

**DESCRIPTION**

FIG. 1 is a front view of a turbine device for generating electricity from ocean currents showing the new design.  
FIG. 2 is a top view thereof.  
FIG. 3 is a left side view thereof.  
FIG. 4 is a front, right and top perspective view thereof.  
FIG. 5 is a right side view thereof.  
FIG. 6 is a bottom view of a second embodiment of a turbine device for generating electricity from ocean currents.  
FIG. 7 is a top view thereof.  
FIG. 8 is a right side view thereof.  
FIG. 9 is a left side view thereof; and,  
FIG. 10 is a front, right and top perspective view thereof.  
The broken lines shown in FIGS. 2, 6 and 7 represent unclaimed subject matter and form no part of the claimed design.

**1 Claim, 10 Drawing Sheets**



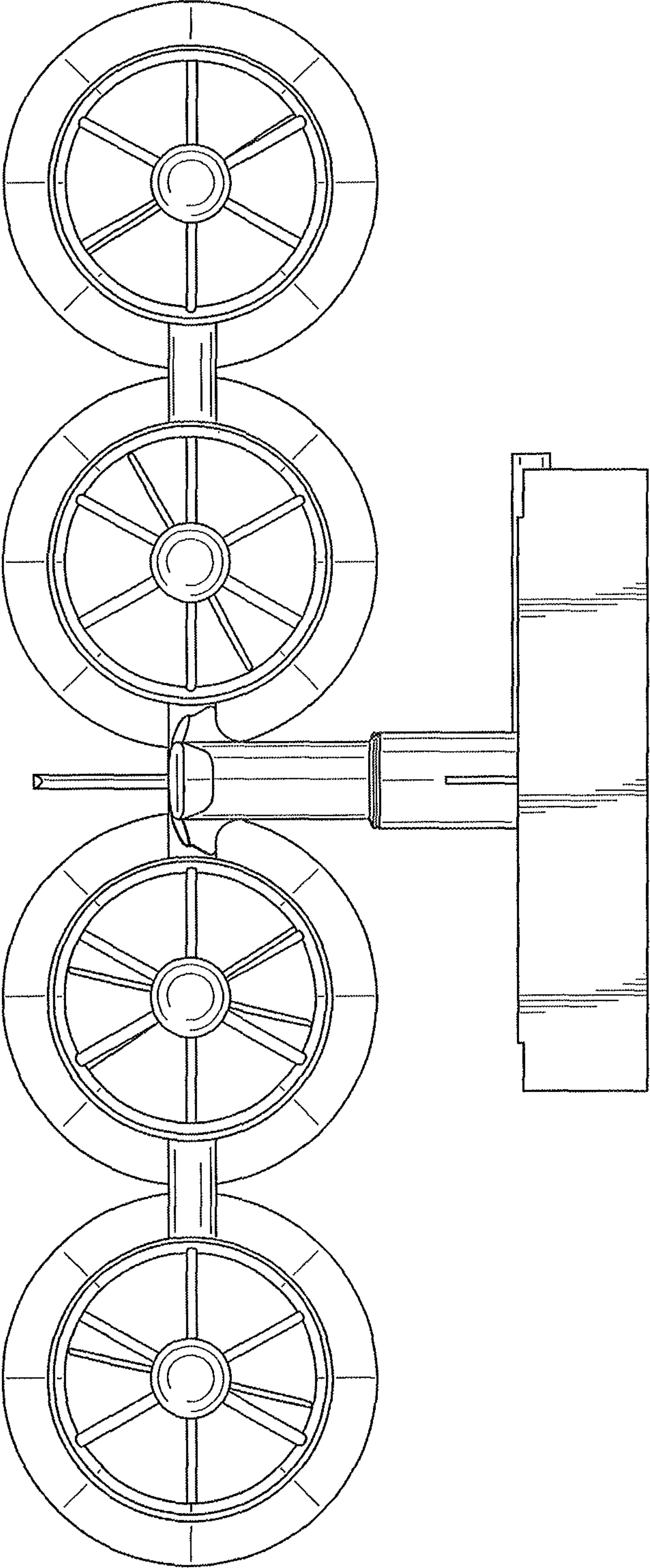


FIG. 1

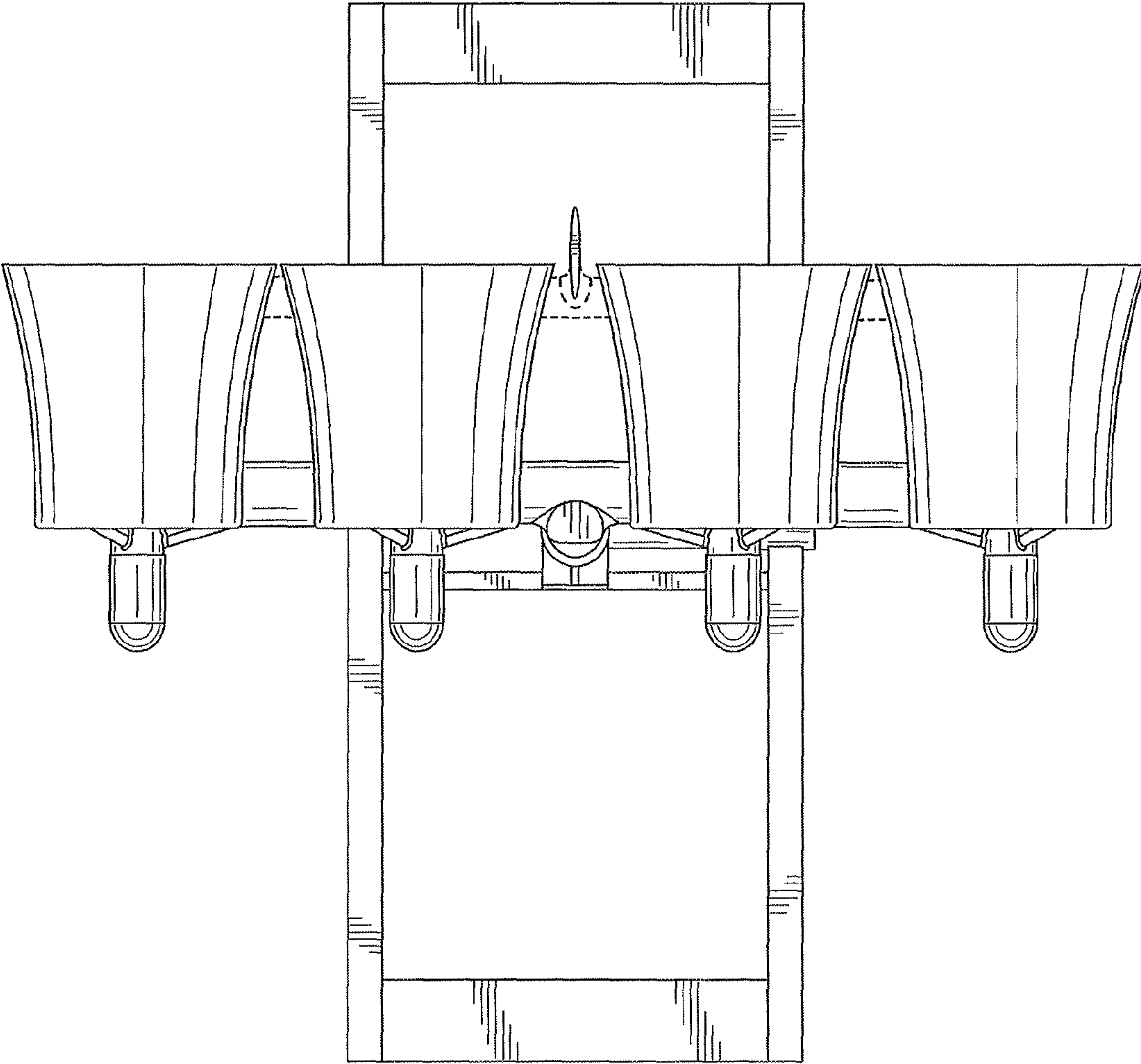


FIG. 2

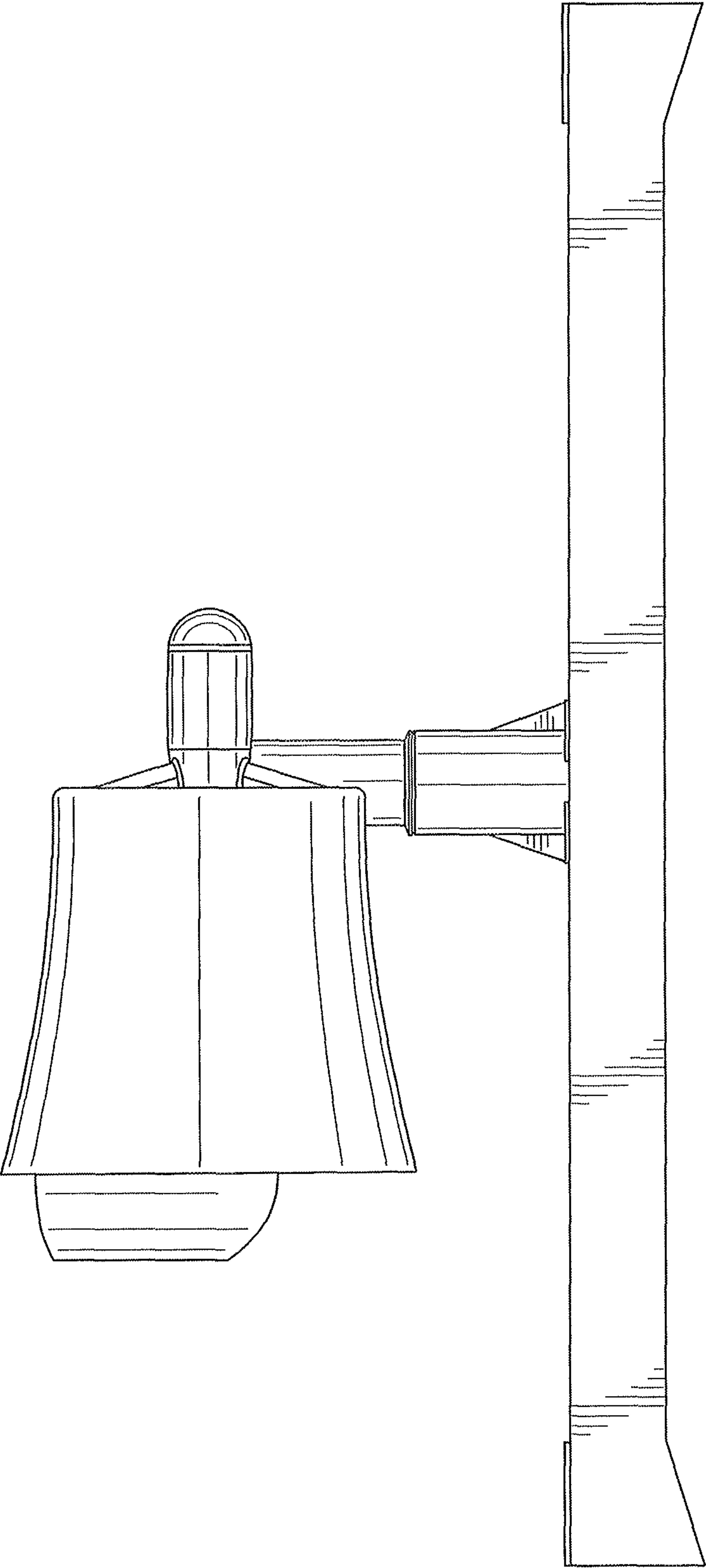


FIG. 3



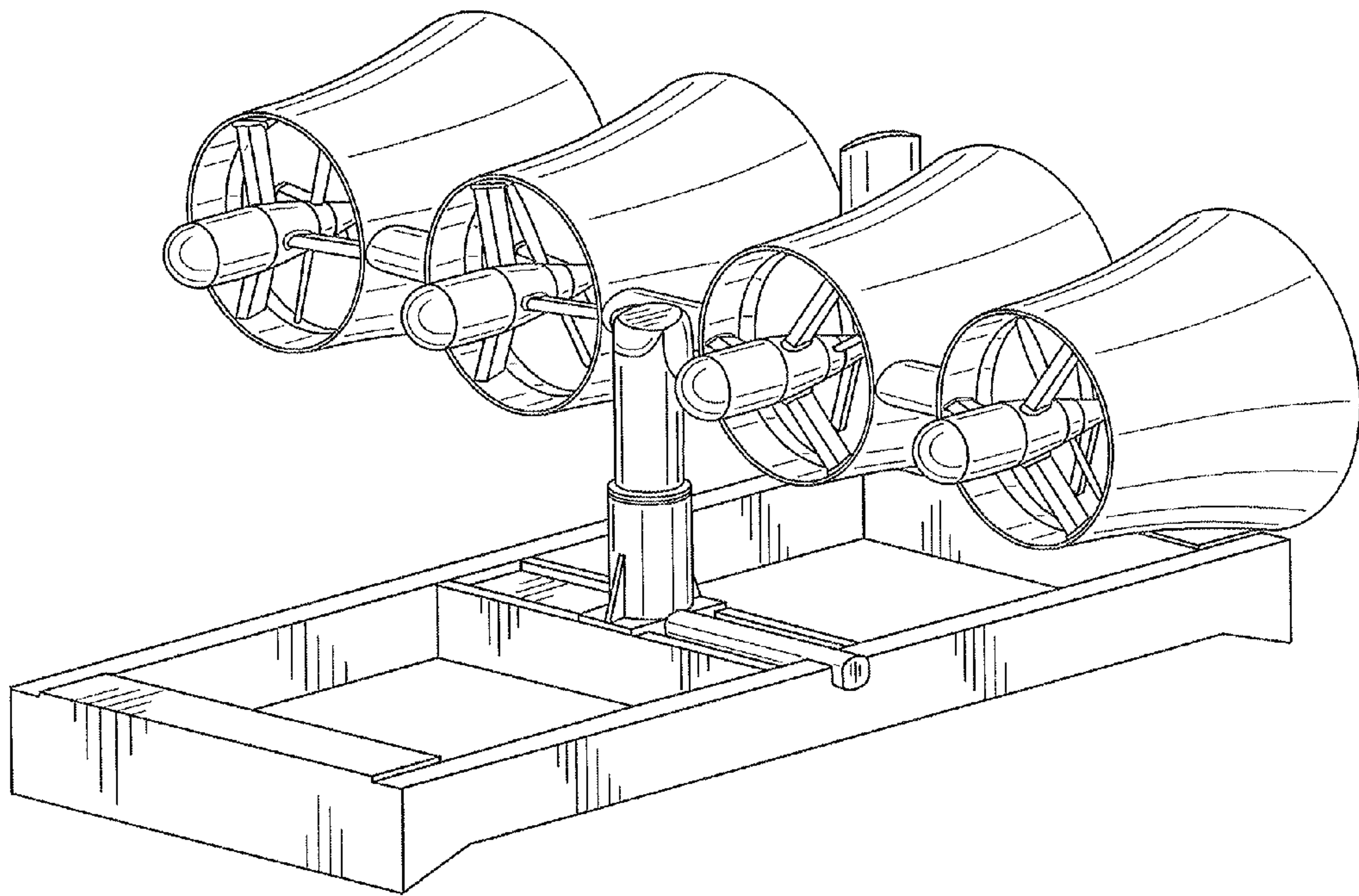


FIG. 4

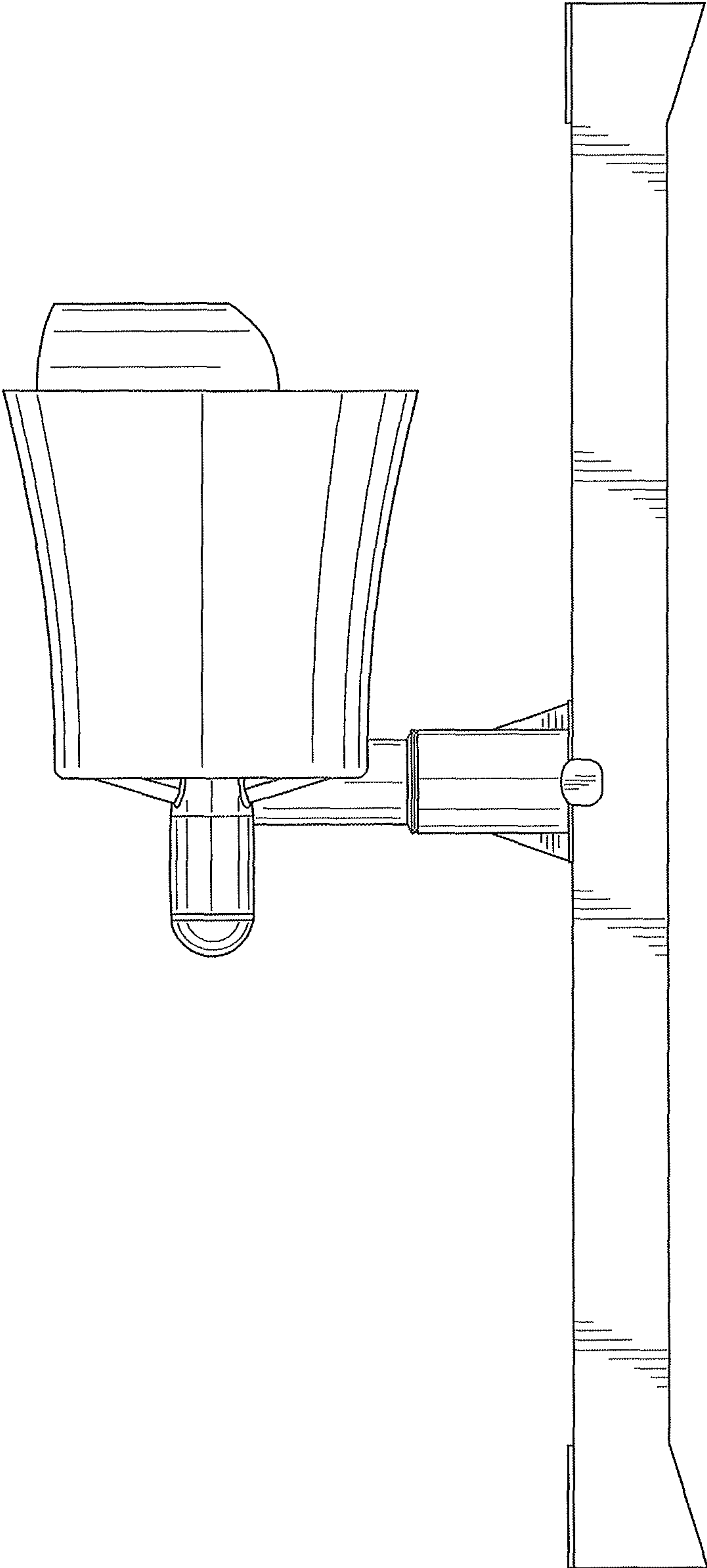


FIG. 5

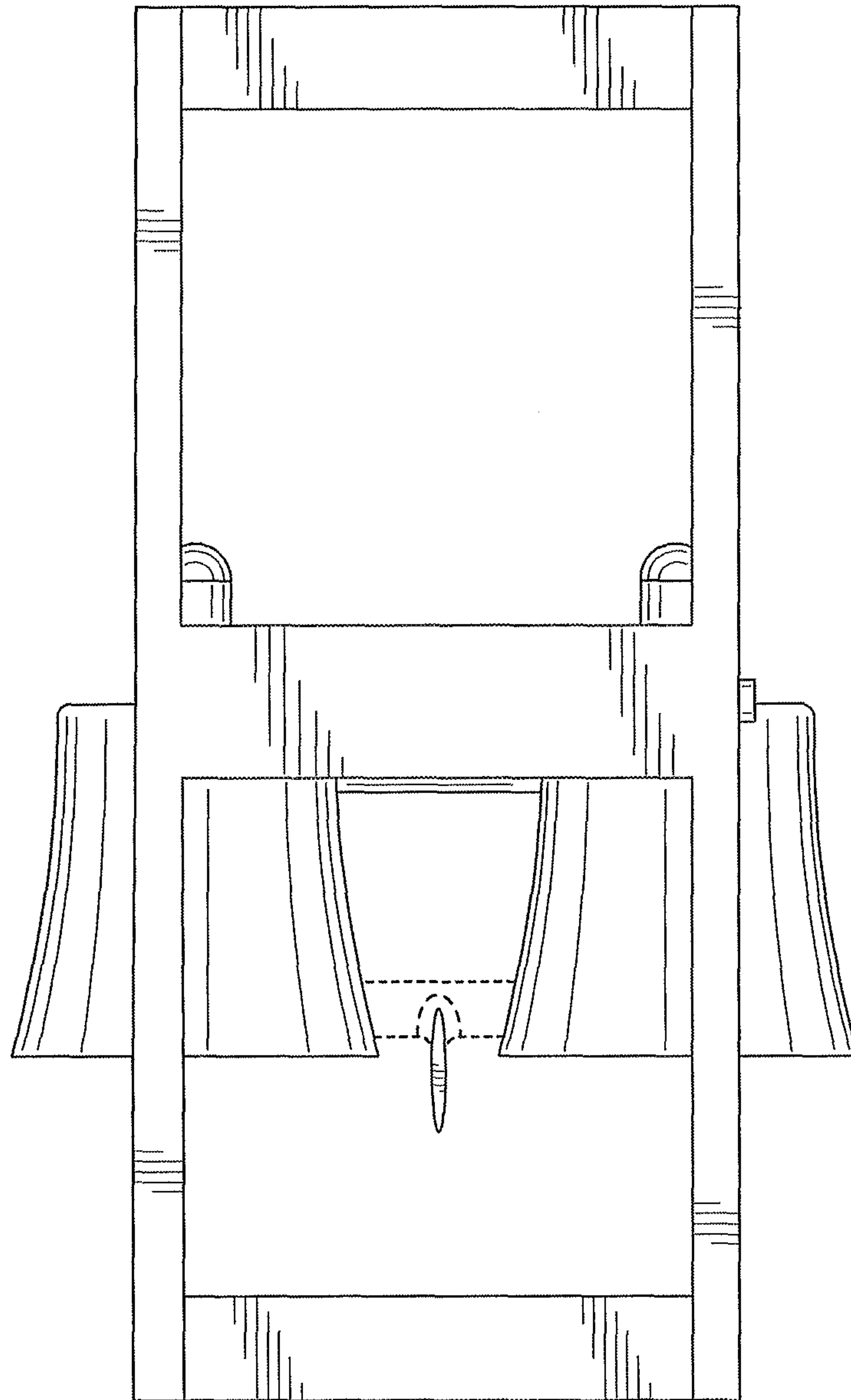


FIG. 6

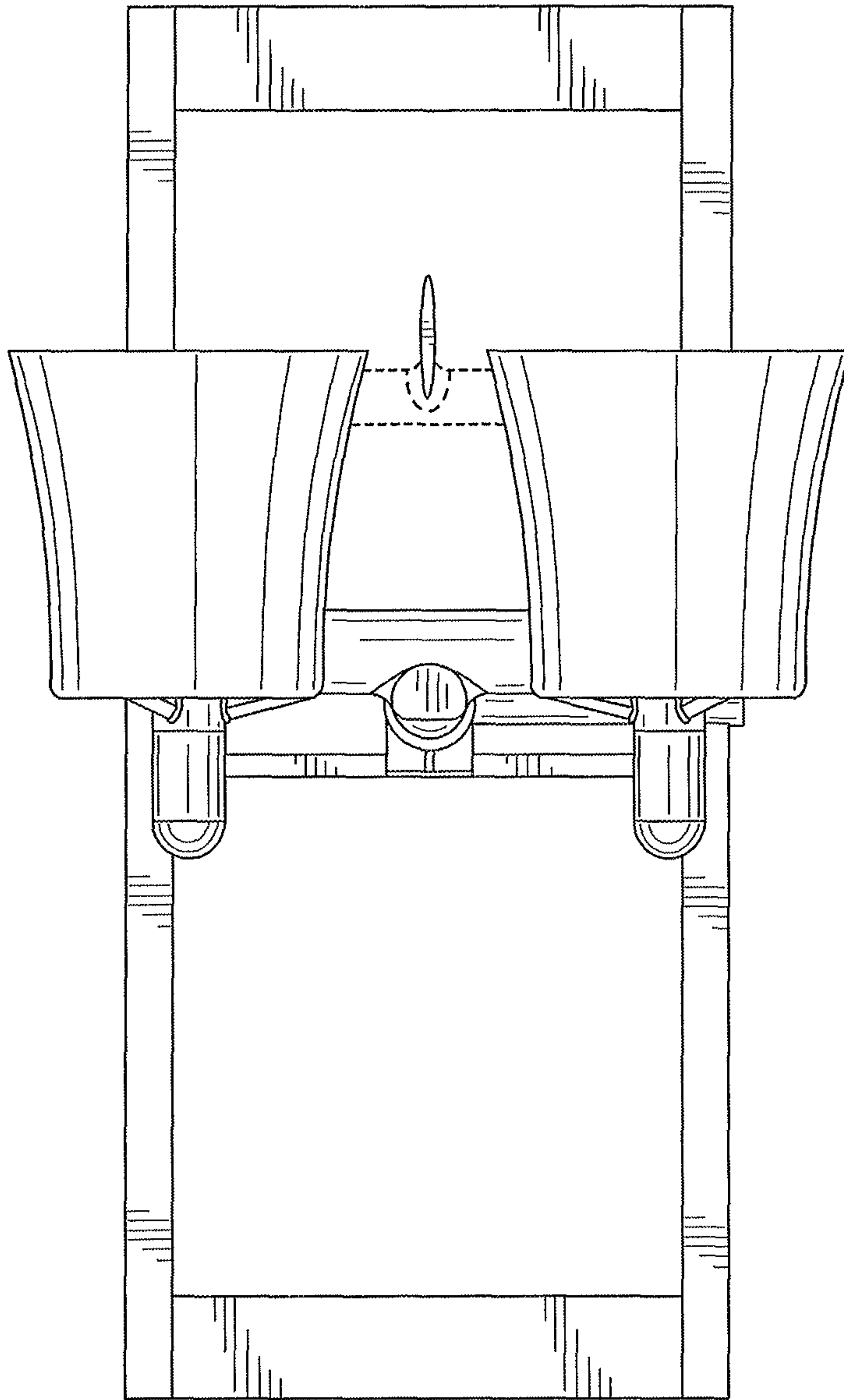


FIG. 7



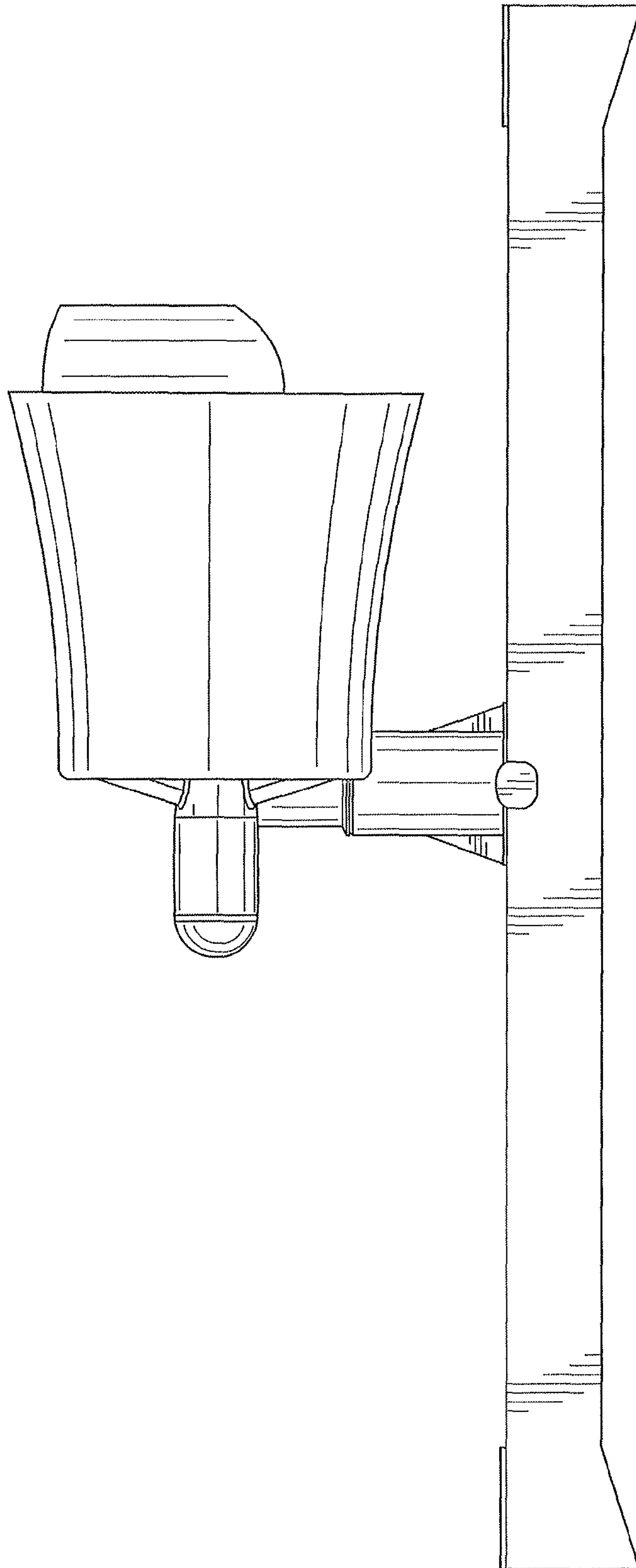


FIG. 8

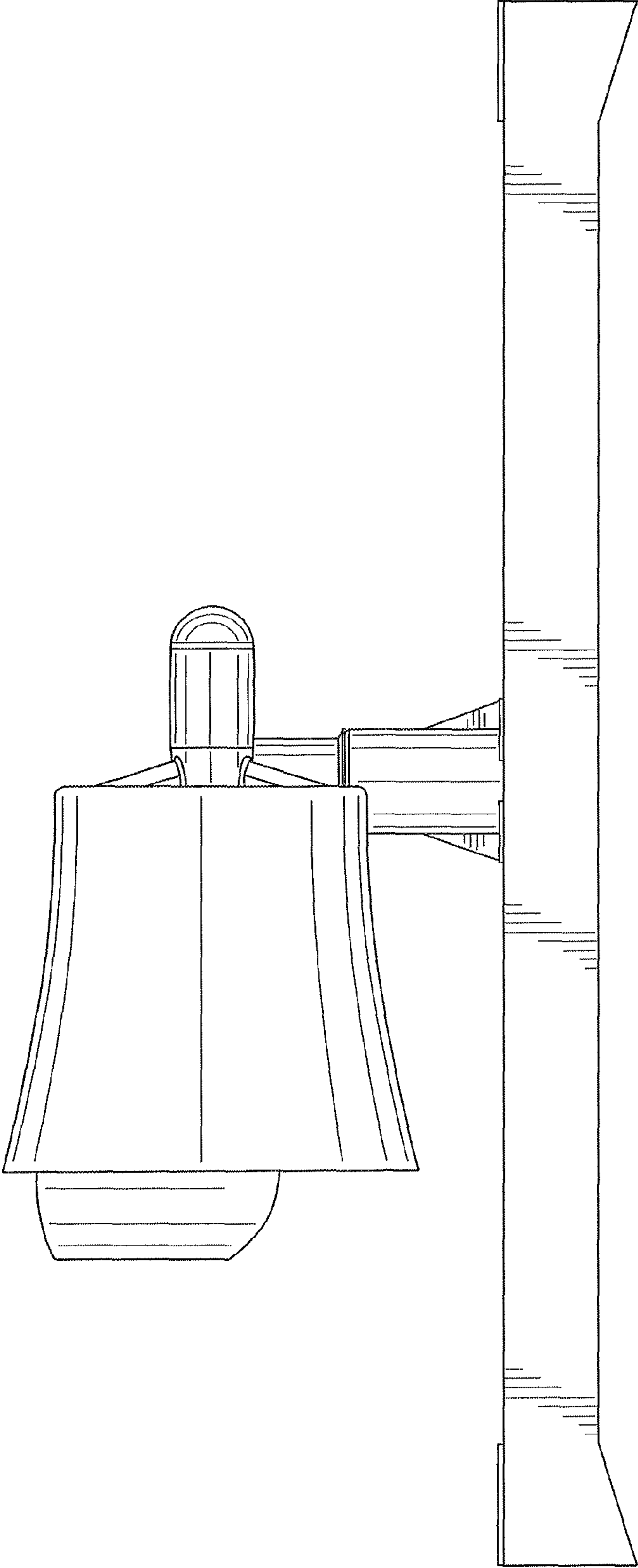


FIG. 9

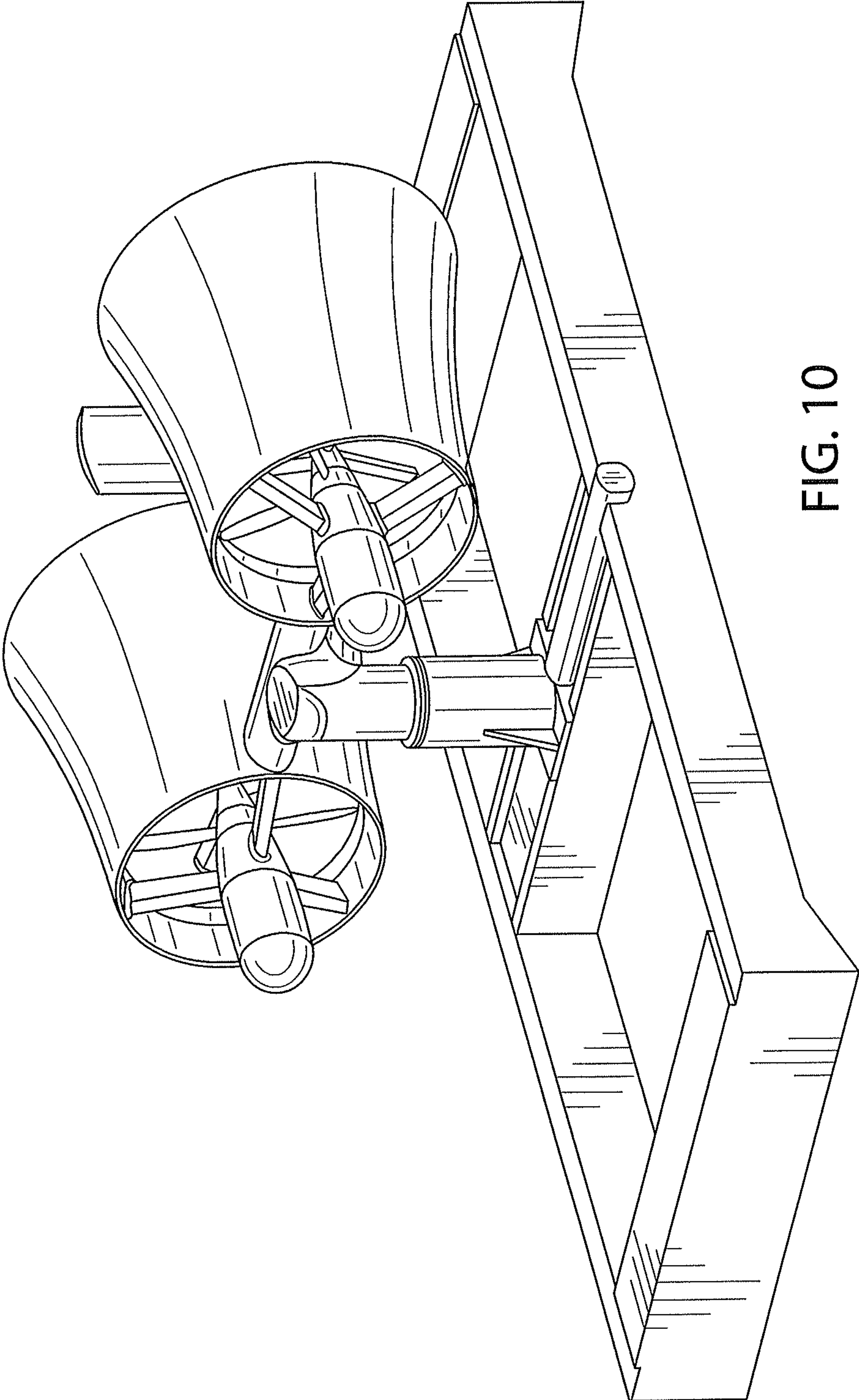


FIG. 10