



US00D707626S

(12) **United States Design Patent**
Atkinson et al.

(10) **Patent No.:** **US D707,626 S**

(45) **Date of Patent:** **** Jun. 24, 2014**

(54) **ADAPTER BODY**

(75) Inventors: **Benjamin Atkinson**, London (GB);
Barnaby Bevan Edwards, London (GB)

(73) Assignee: **DG International Holdings Limited**,
London (GB)

(**) Term: **14 Years**

(21) Appl. No.: **29/425,452**

(22) Filed: **Jun. 22, 2012**

(30) **Foreign Application Priority Data**

Dec. 22, 2011	(EP)	001967365-0001
Dec. 22, 2011	(EP)	001967365-0002
Dec. 22, 2011	(EP)	001967365-0003
Dec. 22, 2011	(EP)	001967365-0004
Dec. 22, 2011	(EP)	001967365-0005
Dec. 22, 2011	(EP)	001967365-0006

(51) **LOC (10) Cl.** **13-02**

(52) **U.S. Cl.**
USPC **D13/110**

(58) **Field of Classification Search**
USPC D13/103, 110, 133, 137.1, 137.2, 137.3,
D13/137.4, 138.1, 138.2, 139.1, 139.2,
D13/139.6, 139.8, 154, 158, 184, 199;
439/166, 170, 171, 172, 173, 174, 175,
439/218, 300, 373, 518, 645-646, 956;
174/53-58; D14/432, 433

See application file for complete search history.

(56) **References Cited**

U.S. PATENT DOCUMENTS

D375,080	S	*	10/1996	Sandor et al.	D13/138.2
D523,811	S	*	6/2006	Pinson	D13/137.2
D549,650	S	*	8/2007	Russell et al.	D13/137.2
D576,552	S	*	9/2008	Caine et al.	D13/137.2
7,445,513	B1	*	11/2008	Lee	439/652
D614,574	S	*	4/2010	Thommes	D13/139.1
D660,797	S	*	5/2012	Wu	D13/110
2011/0053410	A1	*	3/2011	Namiki et al.	439/518

* cited by examiner

Primary Examiner — Derrick Holland

Assistant Examiner — Lauren Calve

(74) *Attorney, Agent, or Firm* — Martine Penilla Group, LLP

(57) **CLAIM**

The ornamental design for an adapter body, as shown and described.

DESCRIPTION

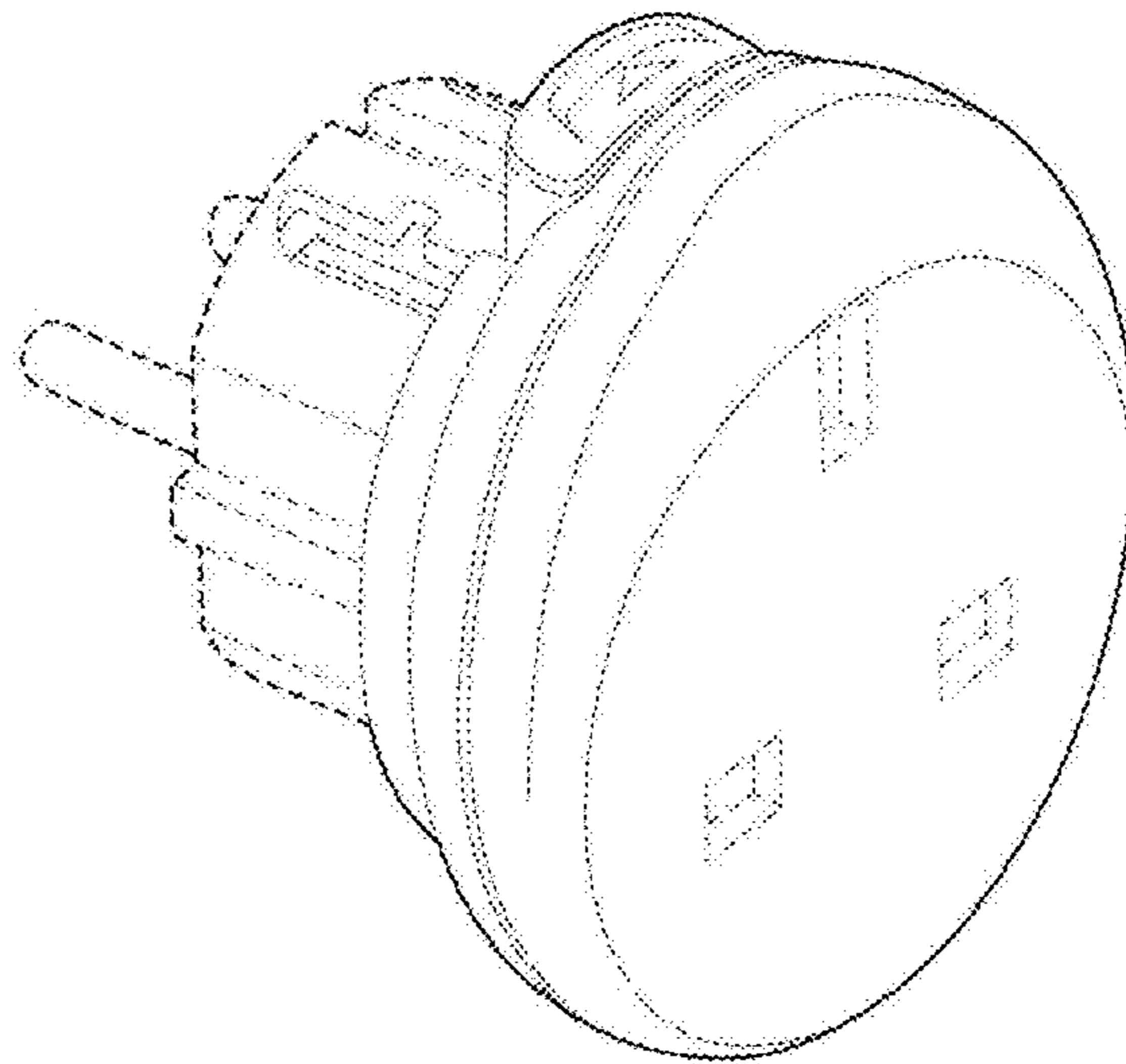
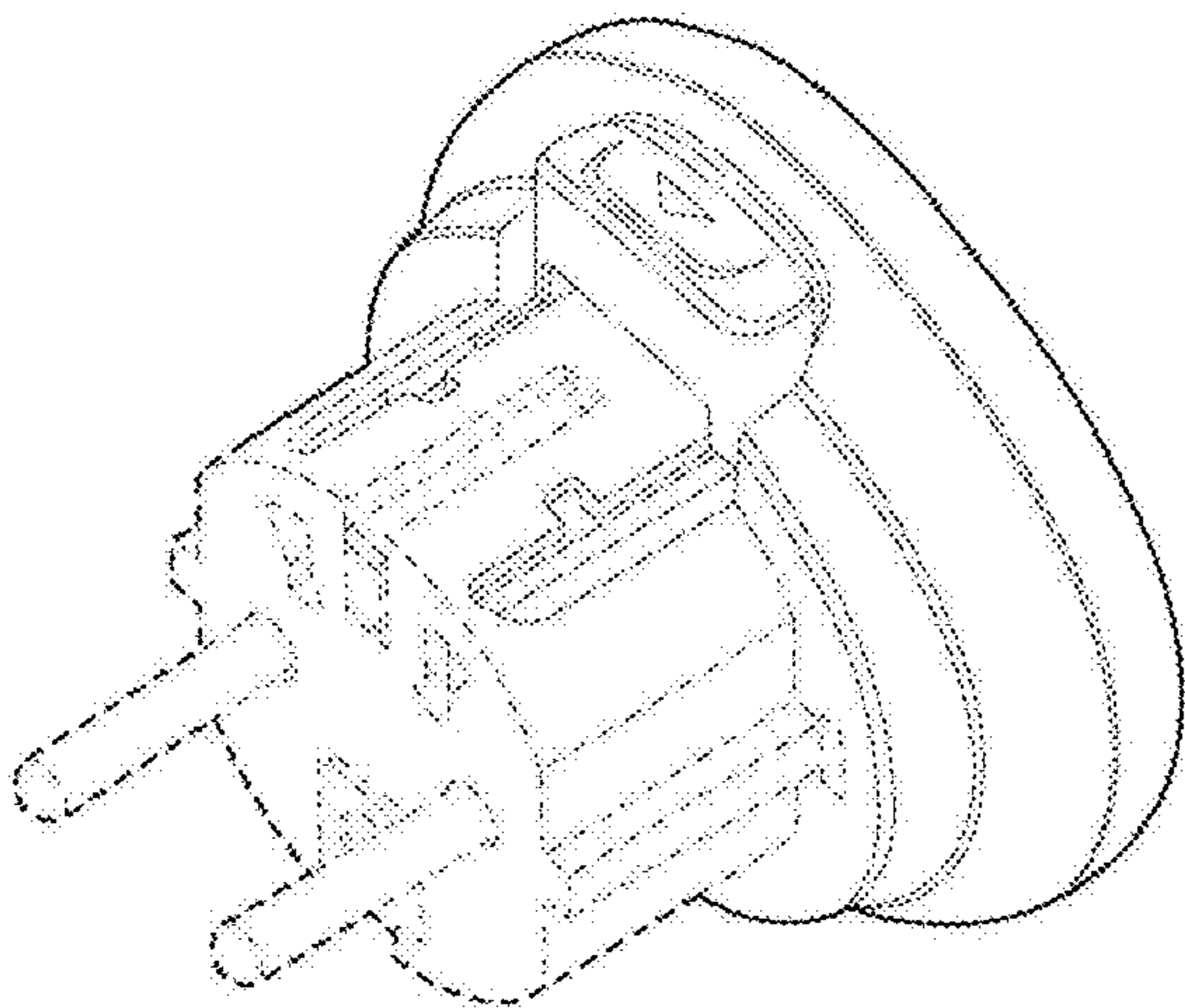
FIG. 1 is a front and side perspective view of an adapter body; FIG. 2 is a second front and side perspective view thereof, shown in an alternate configuration;

FIG. 3 is a third front and side perspective view thereof, shown in yet another configuration; and,

FIG. 4 is a rear and side perspective view of the adapter body of FIG. 1.

The broken lines shown in FIGS. 1-4 represent unclaimed subject matter and form no part of the claimed design.

1 Claim, 4 Drawing Sheets



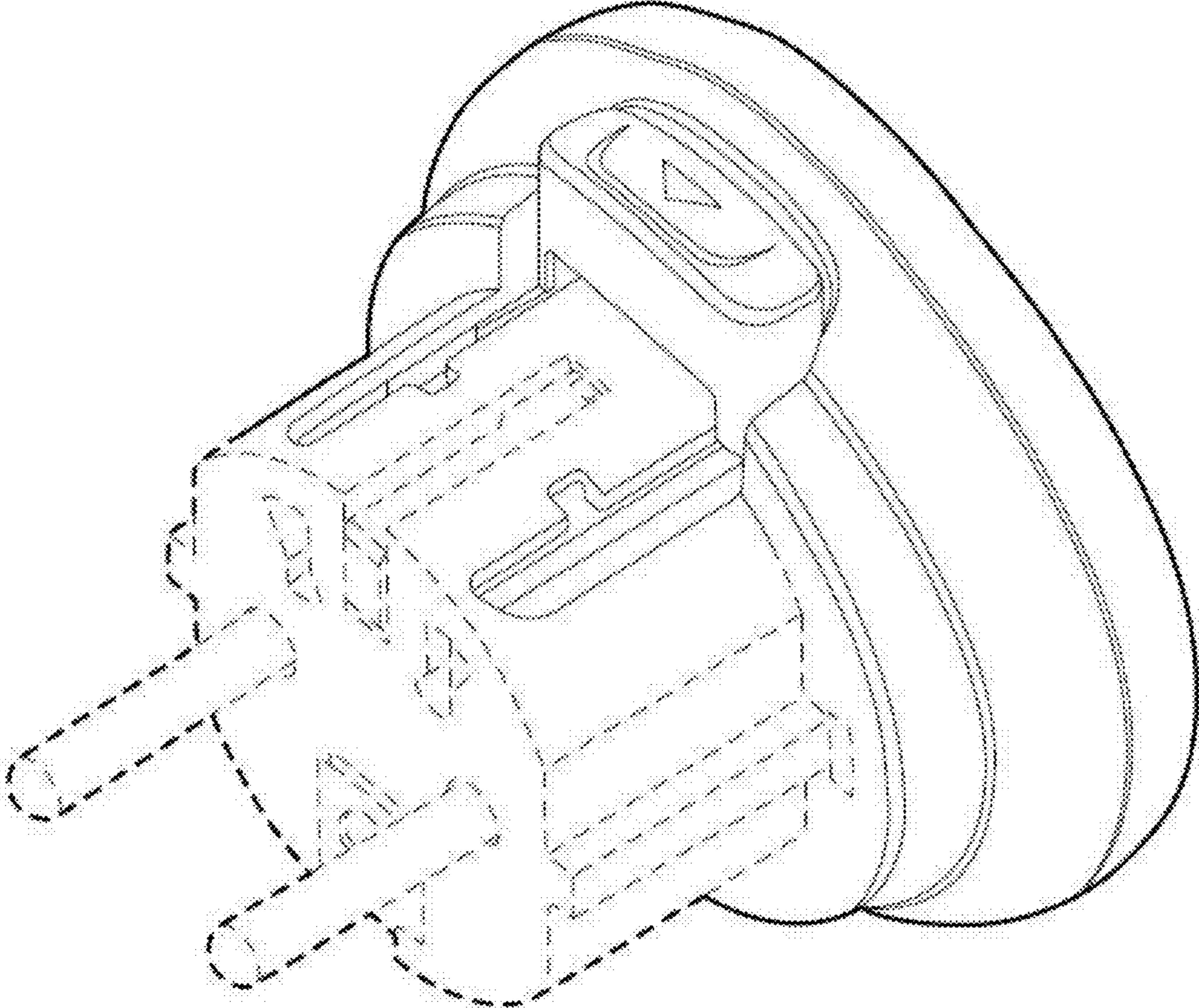


Fig. 1

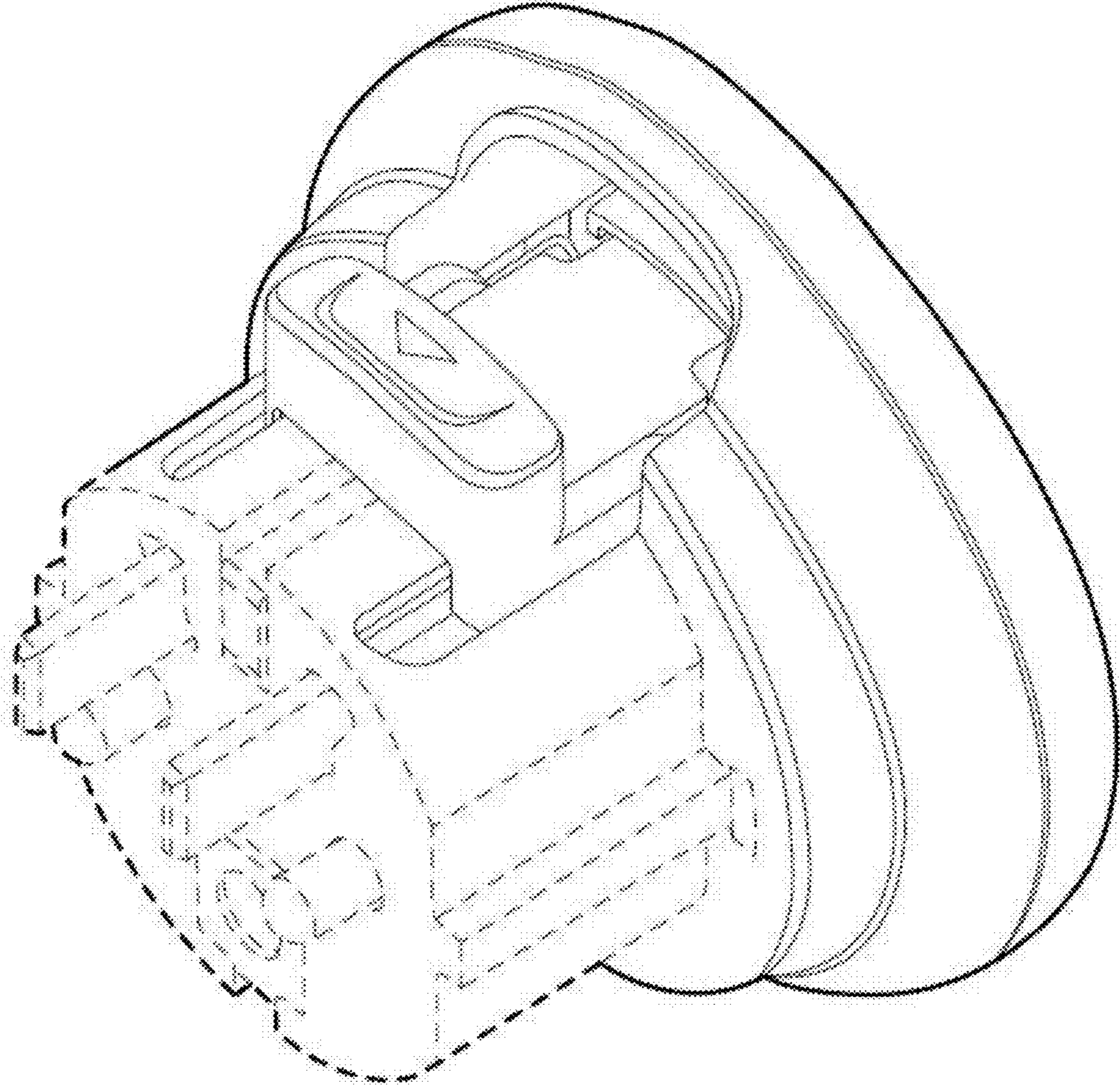


Fig. 2

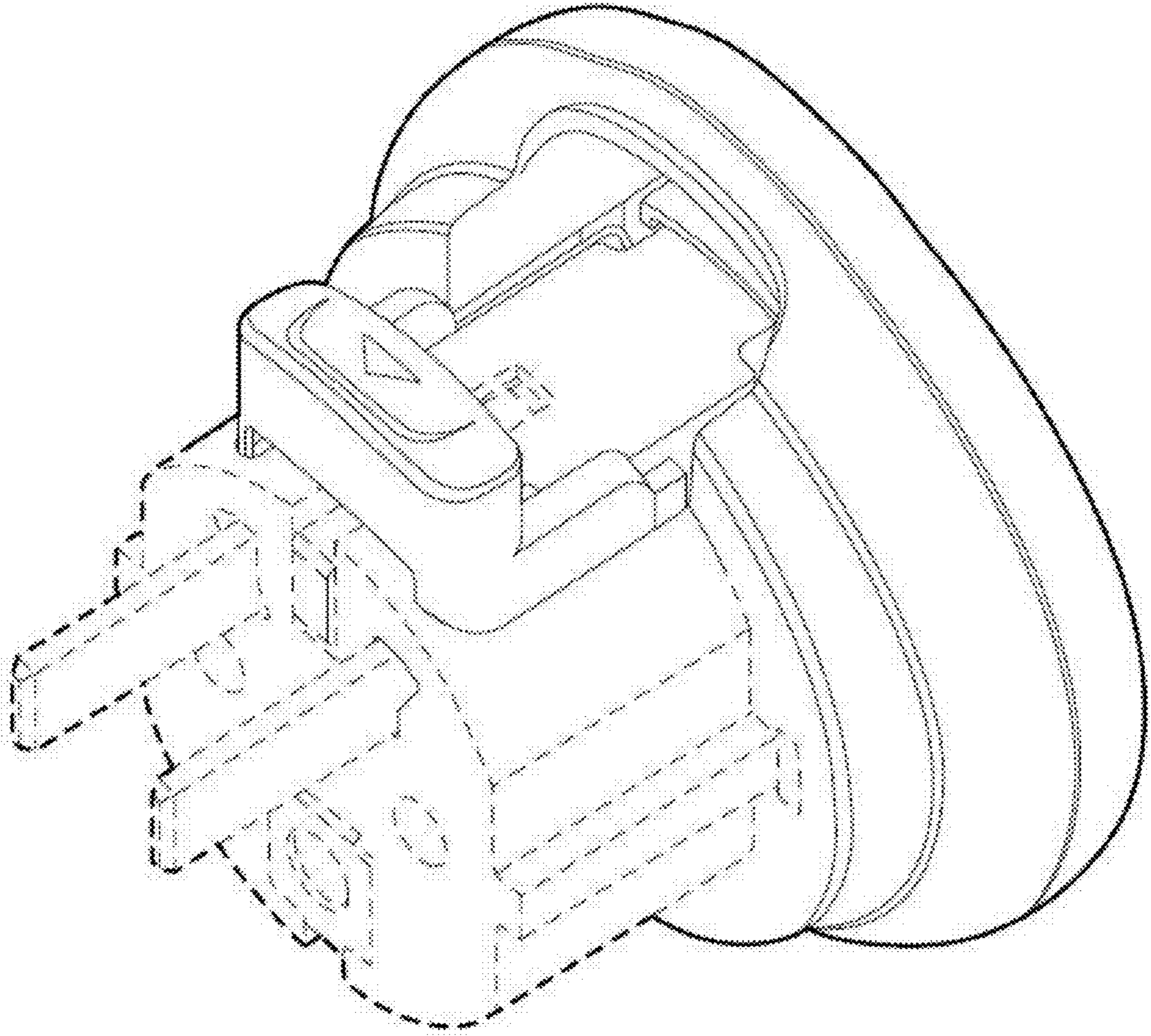


Fig. 3

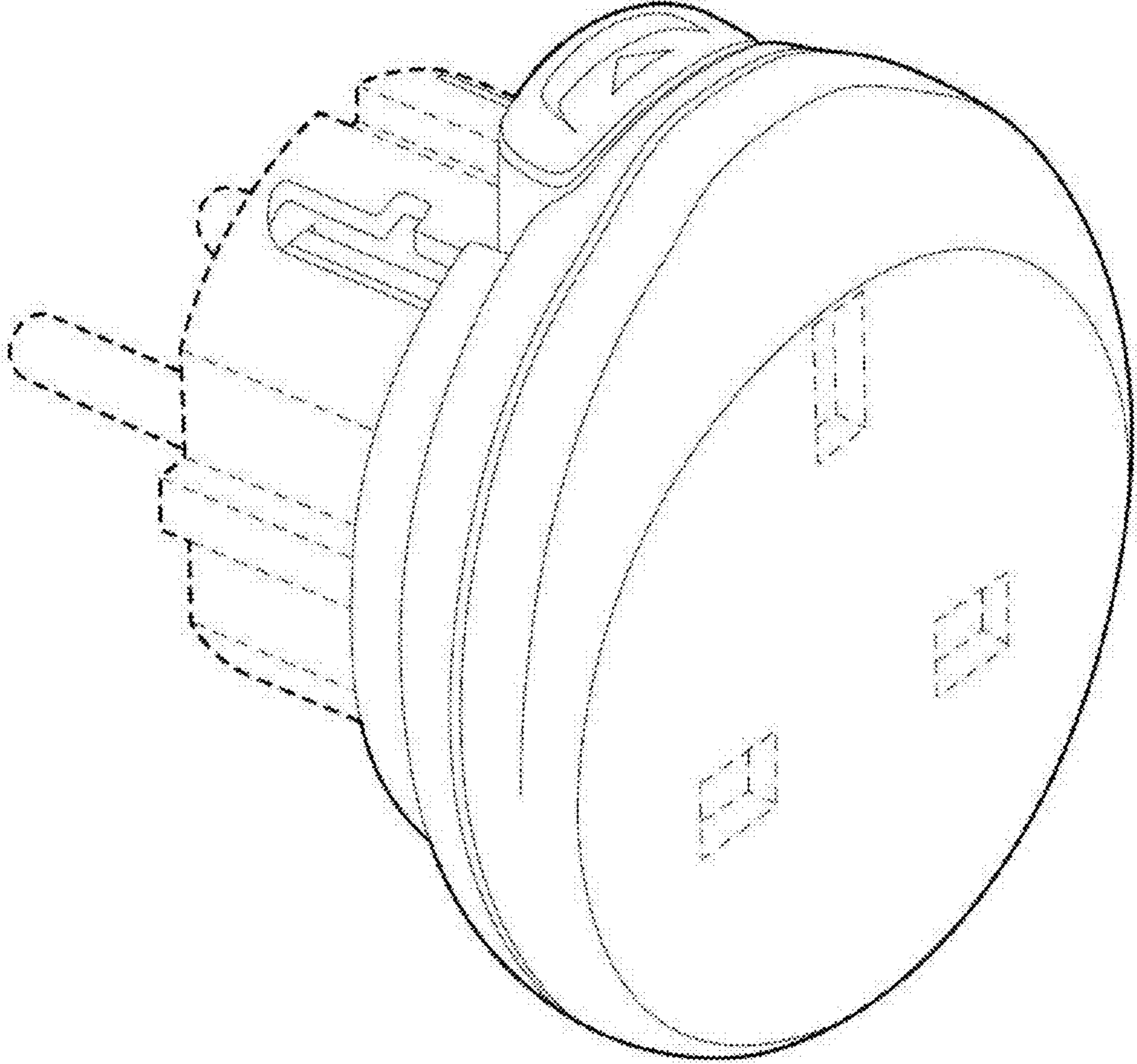


Fig. 4