



US00D707624S

(12) **United States Design Patent**
Morrison et al.

(10) **Patent No.:** **US D707,624 S**
(45) **Date of Patent:** **** Jun. 24, 2014**

(54) **CHARGER**

(71) Applicant: **Rovcal, Inc.**, Madison, WI (US)

(72) Inventors: **Andrew Edward Morrison**, Boca Raton, FL (US); **Anderson Rafael Martinez**, Miami, FL (US); **Daniel Teteak**, Madison, WI (US); **Jesse C. Darley**, Madison, WI (US); **Douglas S. Rodenkirch**, Sun Prairie, WI (US); **Andres Felipe Moline**, Miami Beach, FL (US)

(73) Assignee: **Spectrum Brands, Inc.**, Middleton, WI (US)

(**) Term: **14 Years**

(21) Appl. No.: **29/450,210**

(22) Filed: **Mar. 15, 2013**

(51) **LOC (10) Cl.** **13-02**

(52) **U.S. Cl.**
USPC **D13/108**

(58) **Field of Classification Search**
USPC D13/107-110, 118-119, 184, 199;
D14/217, 251, 253, 432, 434;
320/107-115

See application file for complete search history.

(56) **References Cited**

U.S. PATENT DOCUMENTS

3,659,180	A	4/1972	Urbush	
D310,272	S	8/1990	Gallanis et al.	
5,159,256	A	10/1992	Mattinger et al.	
D360,723	S *	7/1995	Kasai et al.	D32/73
5,691,618	A	11/1997	Kobayashi et al.	
5,894,670	A	4/1999	Iso et al.	
5,982,884	A	11/1999	Hoffmann	
6,049,192	A	4/2000	Kfoury et al.	

6,127,802	A	10/2000	Lloyd et al.	
6,483,698	B1	11/2002	Loh	
D479,627	S	9/2003	Micinilio et al.	
D489,322	S *	5/2004	Sawai et al.	D13/108
D501,191	S *	1/2005	Siebke	D14/149
6,840,791	B2	1/2005	Hsiu	
D508,019	S	8/2005	Lamason et al.	
D510,208	S *	10/2005	Klimas	D6/466
D511,492	S	11/2005	Allende Fritsch	
D514,062	S	1/2006	Chang	
D519,244	S	4/2006	Butcher	
7,057,374	B2	6/2006	Freas et al.	
7,102,328	B2	9/2006	Long et al.	
D530,273	S	10/2006	Solland	
D534,489	S	1/2007	Klein et al.	
D535,787	S	1/2007	Lin	

(Continued)

FOREIGN PATENT DOCUMENTS

EM	000154893-0001	3/2004
EM	000102835-0001	11/2008

(Continued)

Primary Examiner — Rosemary K Tarcza

(74) *Attorney, Agent, or Firm* — Banner & Witcoff, Ltd.

(57) **CLAIM**

The ornamental design for a charger, as shown and described.

DESCRIPTION

FIG. 1 is a front perspective view of a charger showing my new design;

FIG. 2 is a front view thereof;

FIG. 3 is a rear view thereof;

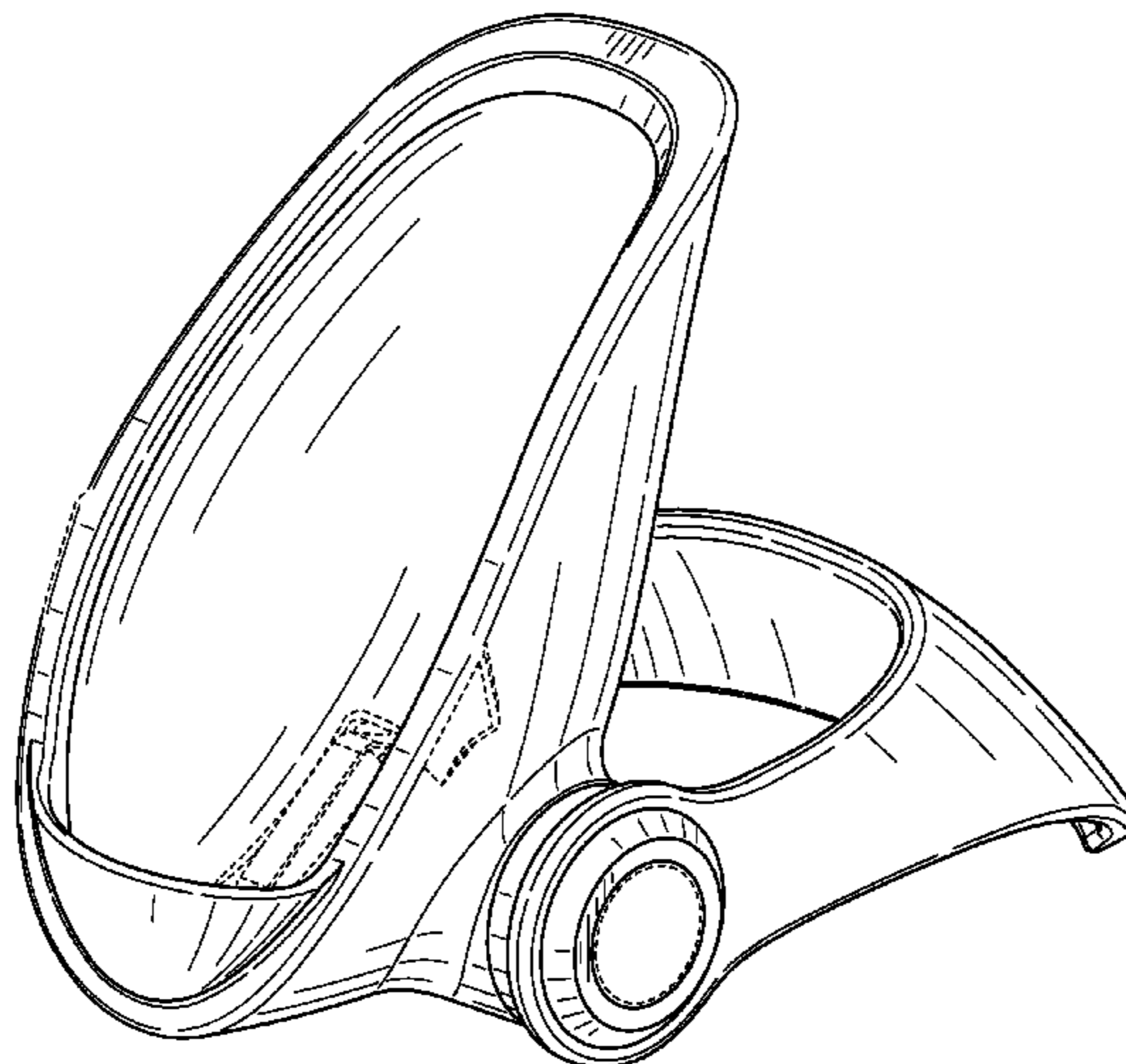
FIG. 4 is a right side view thereof;

FIG. 5 is a left side view thereof; and,

FIG. 6 is a top view thereof.

The broken line showing of various regions of the charger and the unshaded regions therein in FIGS. 1-6 is for environmental purposes only and forms no part of the claimed design.

1 Claim, 4 Drawing Sheets



(56)

References Cited

U.S. PATENT DOCUMENTS

D559,484 S	1/2008	Fjellman	
D559,485 S	1/2008	Fjellman	
D572,188 S	7/2008	Prat-Pfister	
D576,547 S	9/2008	Kling et al.	
D577,666 S	9/2008	Nishizawa	
D578,474 S	10/2008	Nishizawa	
7,567,059 B2	7/2009	Rosal et al.	
D606,545 S *	12/2009	Salmon	D14/434
7,629,768 B2	12/2009	Pinedjian	
D607,817 S *	1/2010	Tan	D13/108
D608,732 S *	1/2010	Hillard	D13/107
D615,491 S	5/2010	Emminger	
D621,347 S	8/2010	Aulwes et al.	
D624,919 S *	10/2010	Bull	D14/434
D637,952 S *	5/2011	Tan	D13/108
D645,847 S *	9/2011	Chau	D14/217
8,030,892 B2	10/2011	Fang et al.	
D654,119 S *	2/2012	Lin	D21/333
D657,740 S	4/2012	Prat-Pfister	
8,165,643 B2	4/2012	Lin	
D669,028 S *	10/2012	Ino et al.	D13/108

D683,733 S *	6/2013	Mendoza et al.	D14/434
2002/0032041 A1	3/2002	Hirai et al.	
2002/0153863 A1	10/2002	Arndt	
2004/0097127 A1	5/2004	Smith et al.	
2010/0315041 A1	12/2010	Tan	
2011/0073658 A1	3/2011	Vassura et al.	
2012/0049784 A1	3/2012	Klicpera	

FOREIGN PATENT DOCUMENTS

EM	001311872-0001	1/2012
EP	0692837	1/1996
EP	1496593	1/2005
WO	048277-002	5/1999
WO	063072-003	10/2002
WO	065143-001	3/2004
WO	2004089152	10/2004
WO	069550-002	11/2007
WO	069550-003	11/2007
WO	2009119312	10/2009
WO	074789-005	11/2010
WO	074789-007	11/2010

* cited by examiner

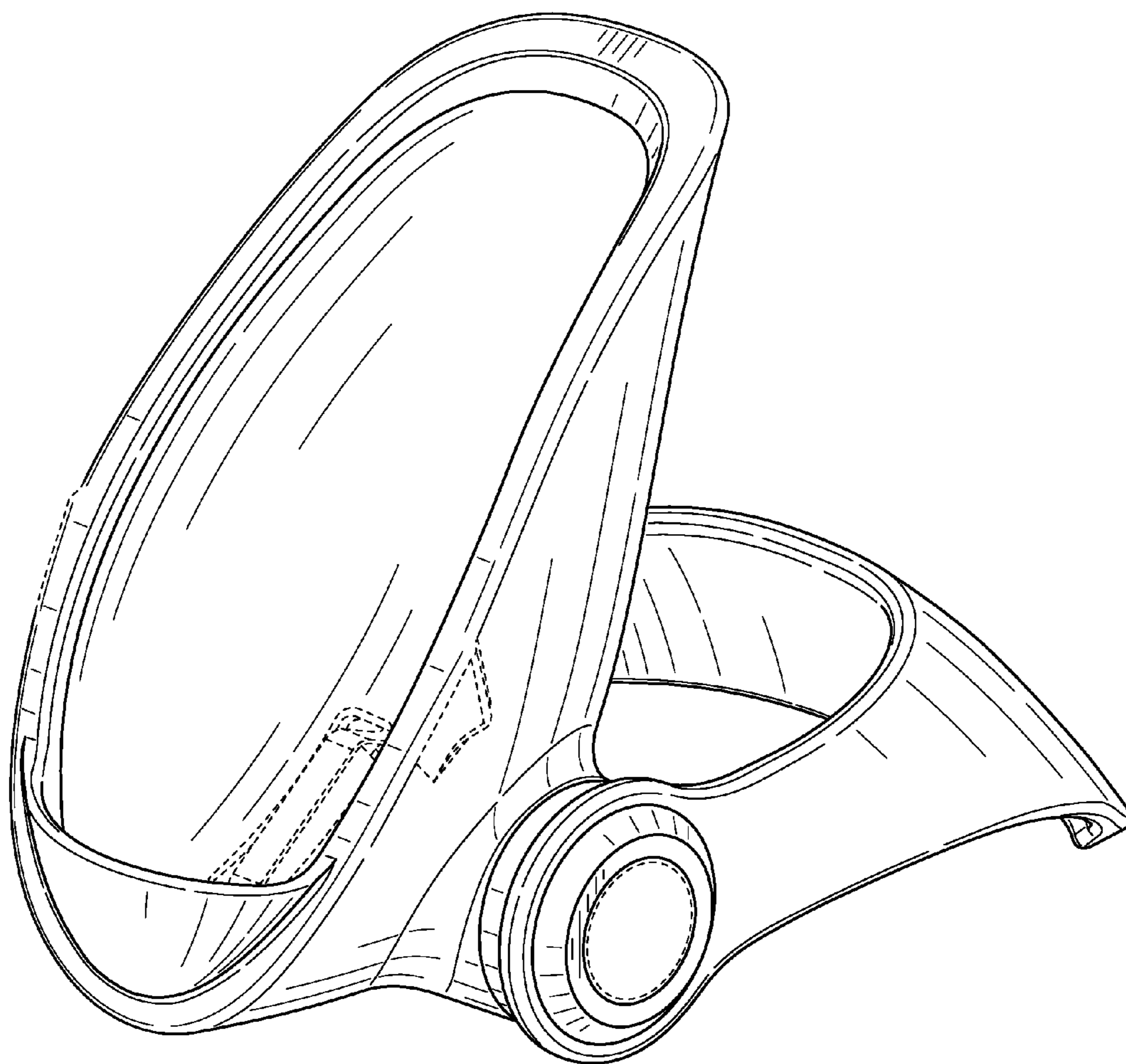


FIG. 1

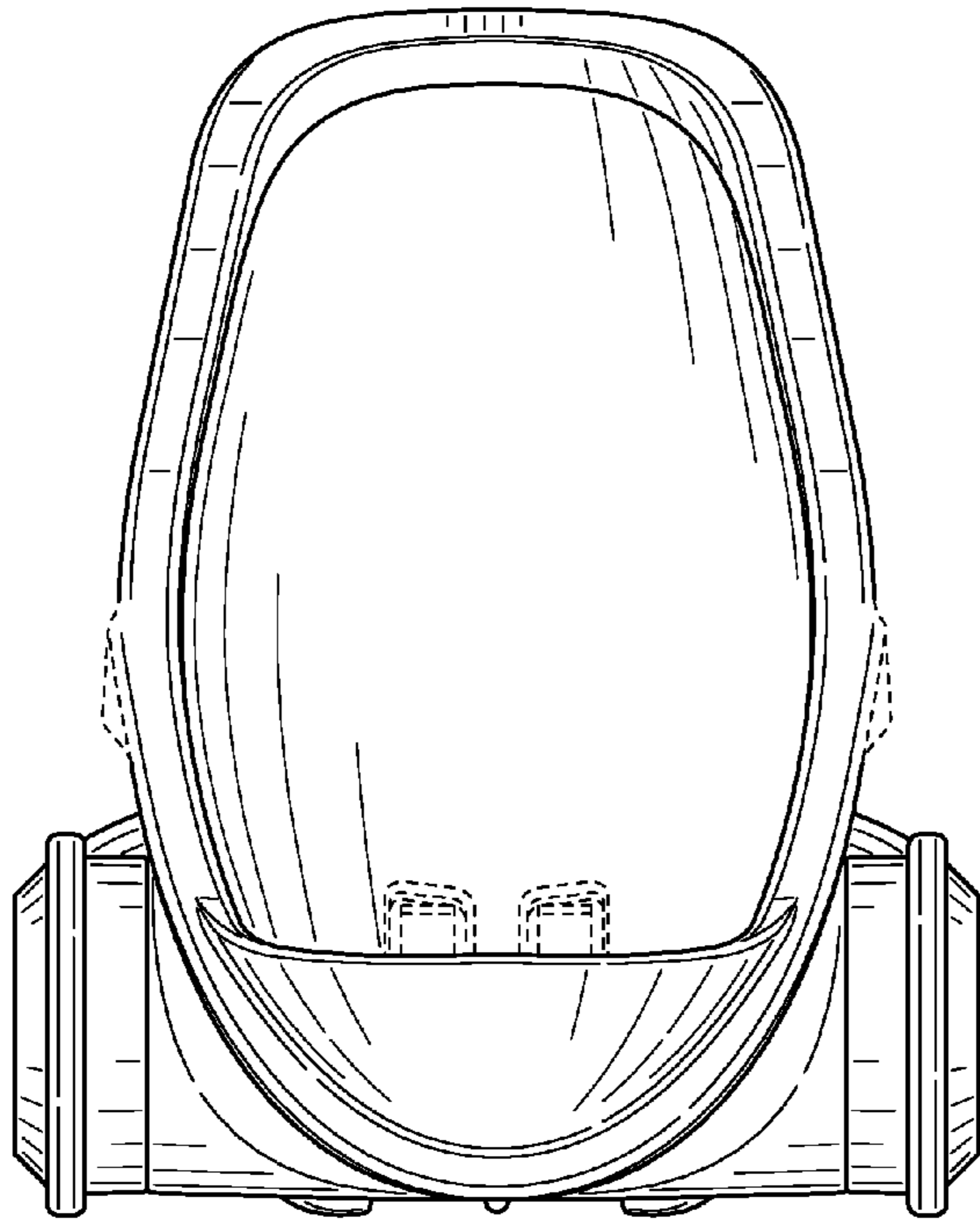


FIG. 2

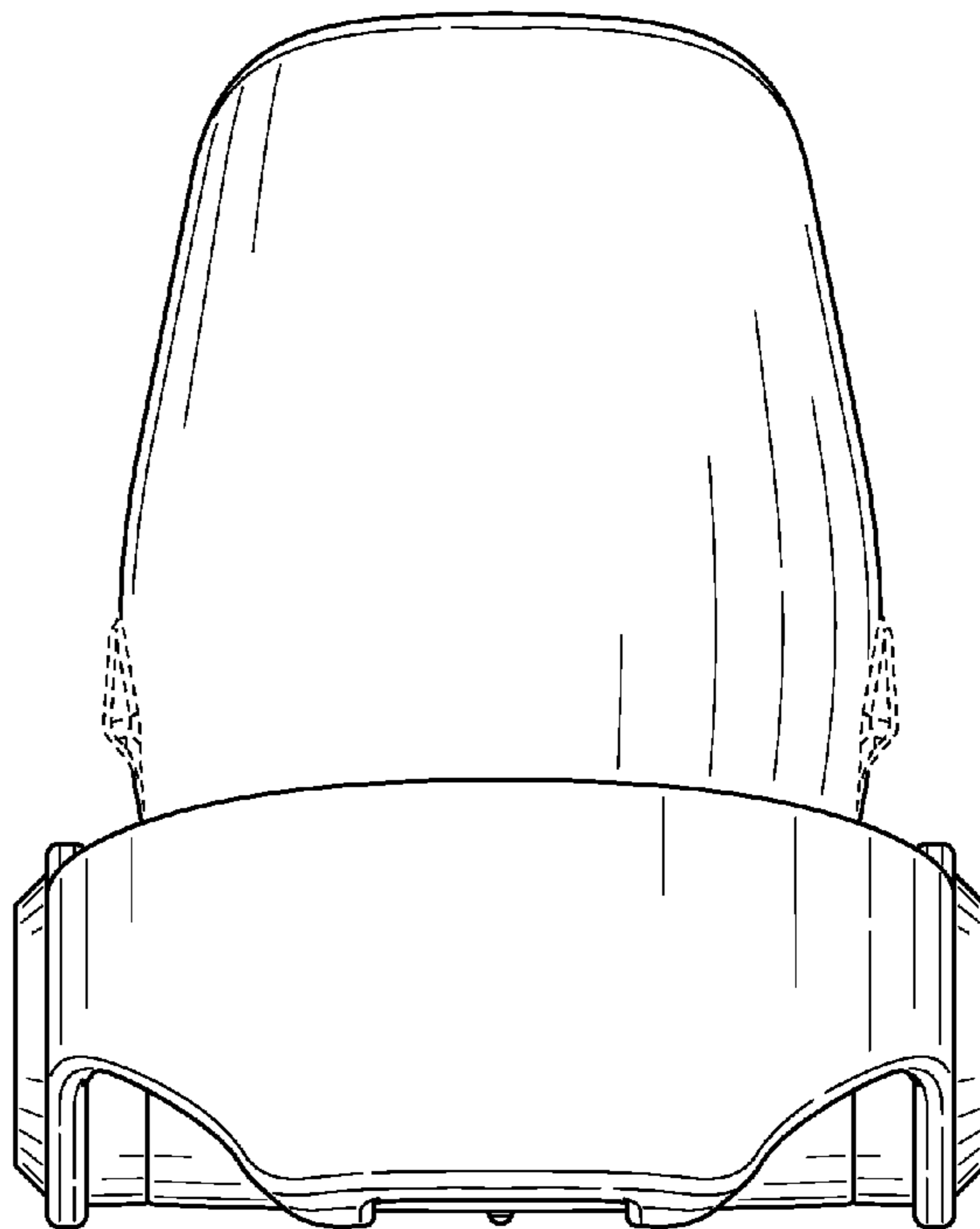


FIG. 3

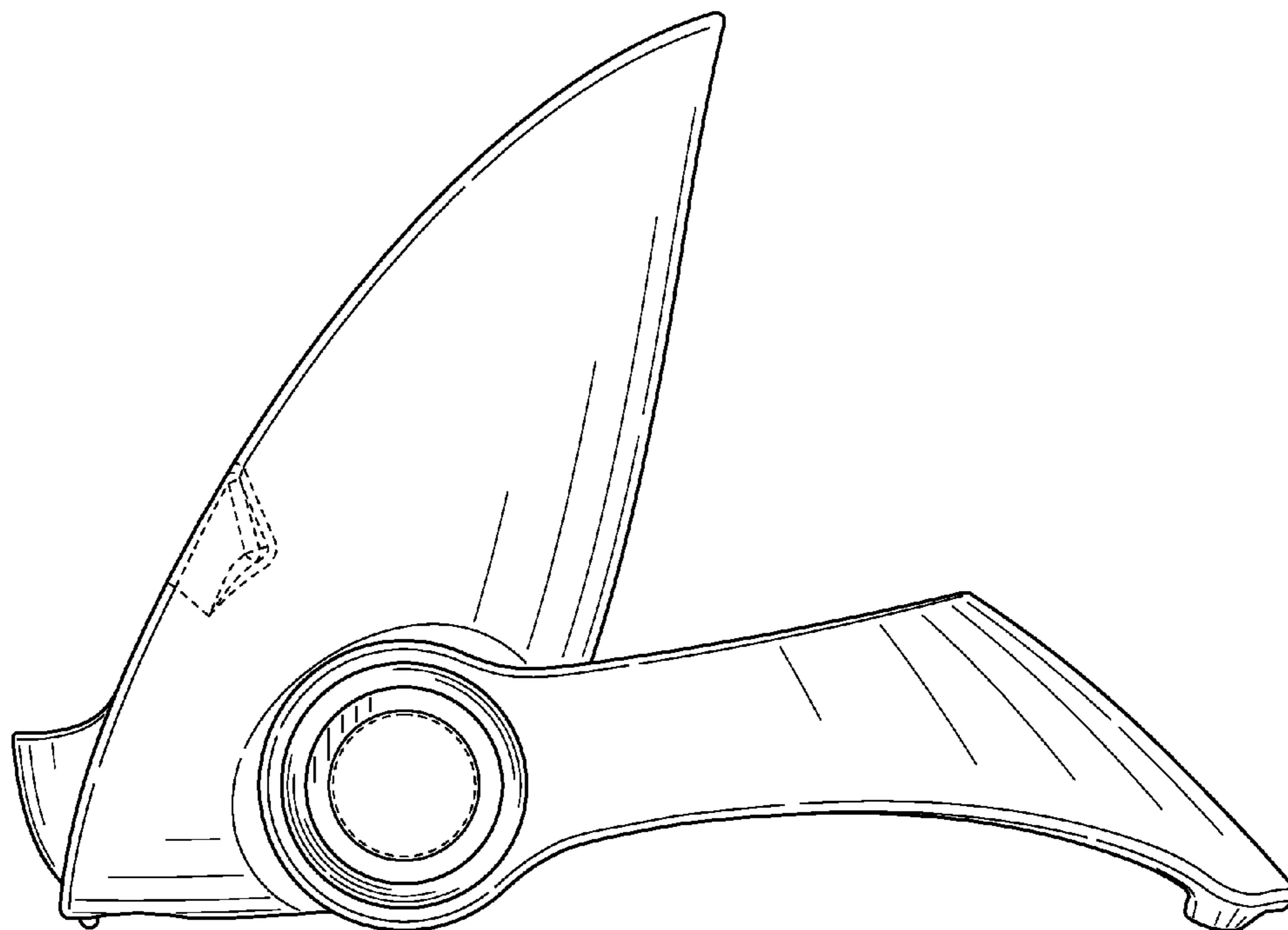


FIG. 4

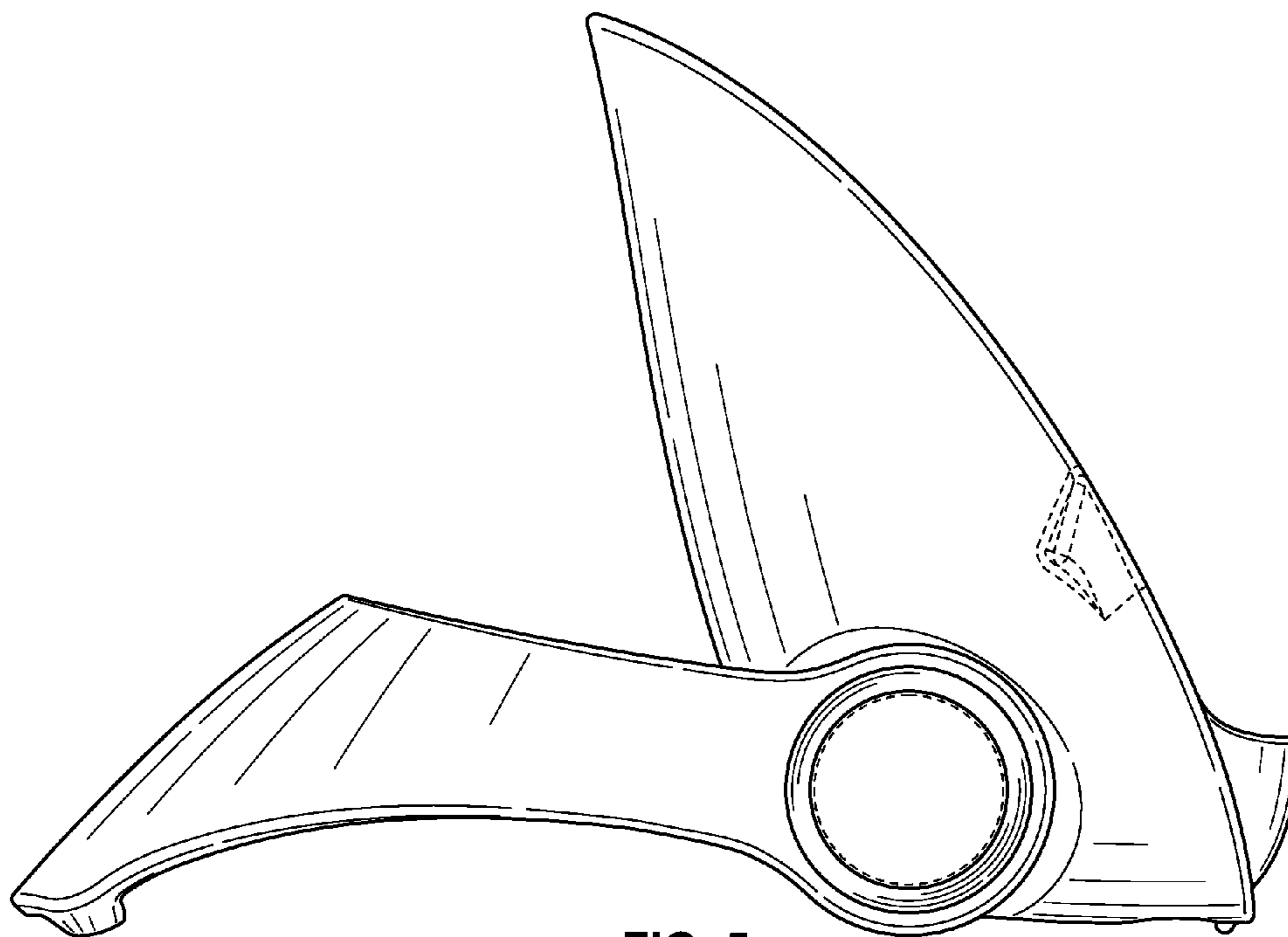


FIG. 5

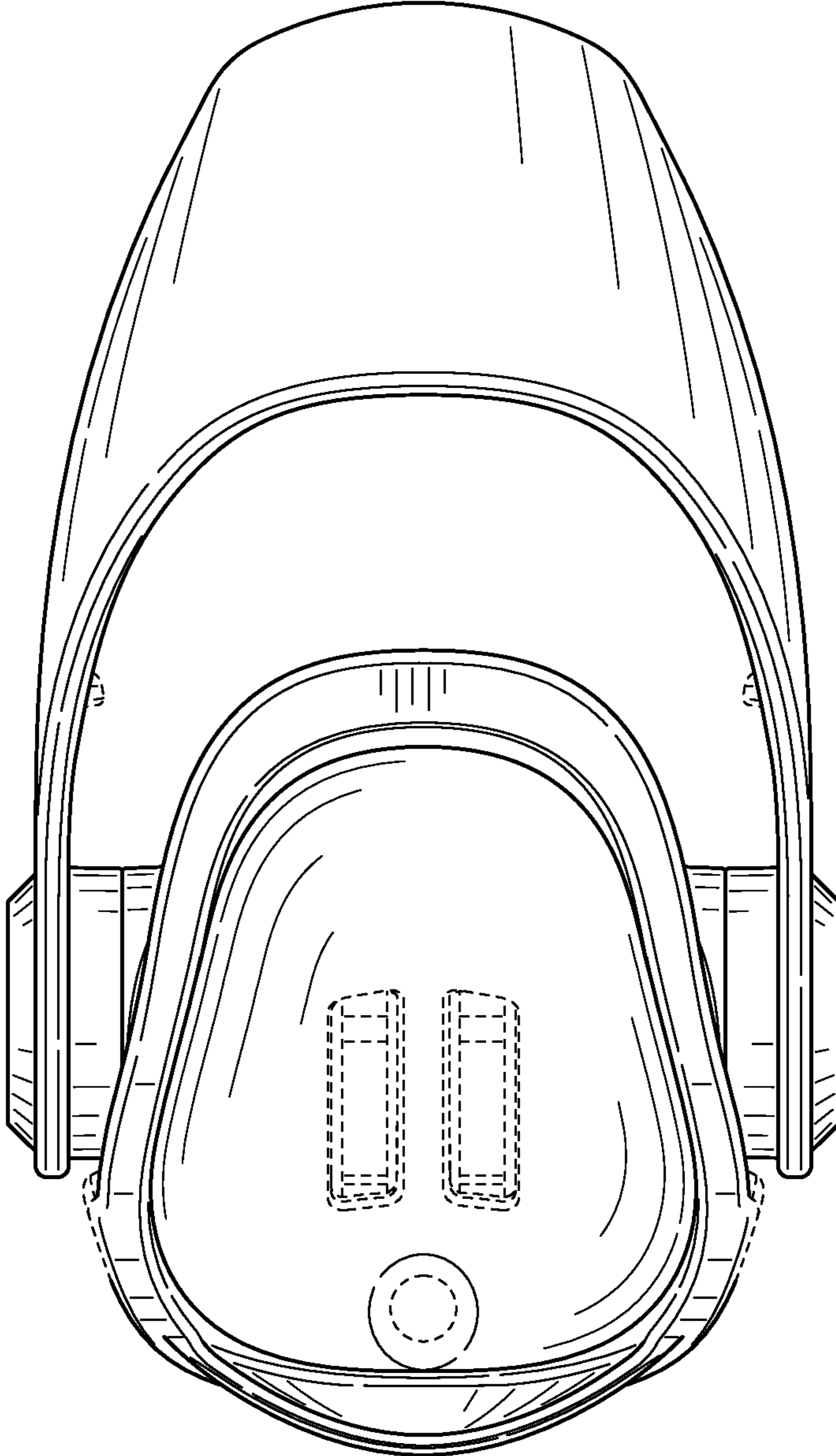


FIG. 6