



US00D707622S

(12) **United States Design Patent**
Curry

(10) **Patent No.:** **US D707,622 S**
(45) **Date of Patent:** **** Jun. 24, 2014**

(54) **TIRE TRACTION DEVICE**

(76) Inventor: **Michael D. Curry**, Centreville, VA (US)

(**) Term: **14 Years**

(21) Appl. No.: **29/412,971**

(22) Filed: **Feb. 9, 2012**

(51) **LOC (10) Cl.** **12-15**

(52) **U.S. Cl.**
USPC **D12/608**

(58) **Field of Classification Search**
USPC D12/500–501, 604, 607–608, 400;
152/187, 218, 221–222, 208, 175,
152/213 R; D8/499, 44; 301/41.1, 42, 43,
301/44.3

See application file for complete search history.

(56) **References Cited**

U.S. PATENT DOCUMENTS

2,533,151	A	*	12/1950	Stevens	152/222
D214,736	S		7/1969	Anderson et al.		
4,050,495	A		9/1977	Olsen		
4,346,748	A		8/1982	Bagoy et al.		
5,454,412	A		10/1995	Bowers		
5,520,691	A		5/1996	Branch		
6,016,856	A		1/2000	Hynes		
6,142,202	A		11/2000	Hicks		
6,708,746	B2		3/2004	Wilkinson		
6,860,304	B1		3/2005	Dalrymple		
D540,993	S		4/2007	Beyaz		
D554,578	S	*	11/2007	Roed	D12/608
D559,173	S	*	1/2008	Roed	D12/608
D597,481	S	*	8/2009	Toren	D12/608
D689,014	S		9/2013	Cox		
2004/0108772	A1		6/2004	Pribyl et al.		
2004/0154717	A1		8/2004	Gray		
2010/0212117	A1		8/2010	Haase et al.		
2012/0025596	A1		2/2012	Dunham		
2012/0112430	A1		5/2012	Shaw		
2012/0153707	A1		6/2012	Dondurur et al.		
2012/0324679	A1		12/2012	Haase et al.		

OTHER PUBLICATIONS

Rice, Fritz, "Snowpocalypse. Dutch Bike Co Weblog" [online], Nov. 24, 2011 [retrieved on Aug. 20, 2012], Retrieved from the Internet: <URL:http://www.dutchbikeco.com/_blog/Dutch_Bike_Co_Weblog/post/Seattle_Snowpocalypse/>
International Search Report Issued in International Patent Application No. PCT/US2012/041619 on Sep. 14, 2012.
Written Opinion issued in International Patent Application No. PCT/US2012/041619 on Sep. 14, 2012.
Notice of Allowance Issued in related Design U.S. Appl. No. 29/393,820 on Dec. 18, 2013.
Redleg, First Ride of 2011: Jarre Canyon Rd and Red Rocks Park, webpage, Jan. 1, 2011.
Office Action issued Oct. 2, 2013 in related U.S. Appl. No. 29/393,820.

* cited by examiner

Primary Examiner — Stacia Cadmus

(74) *Attorney, Agent, or Firm* — Venable LLP; Steven J. Schwarz

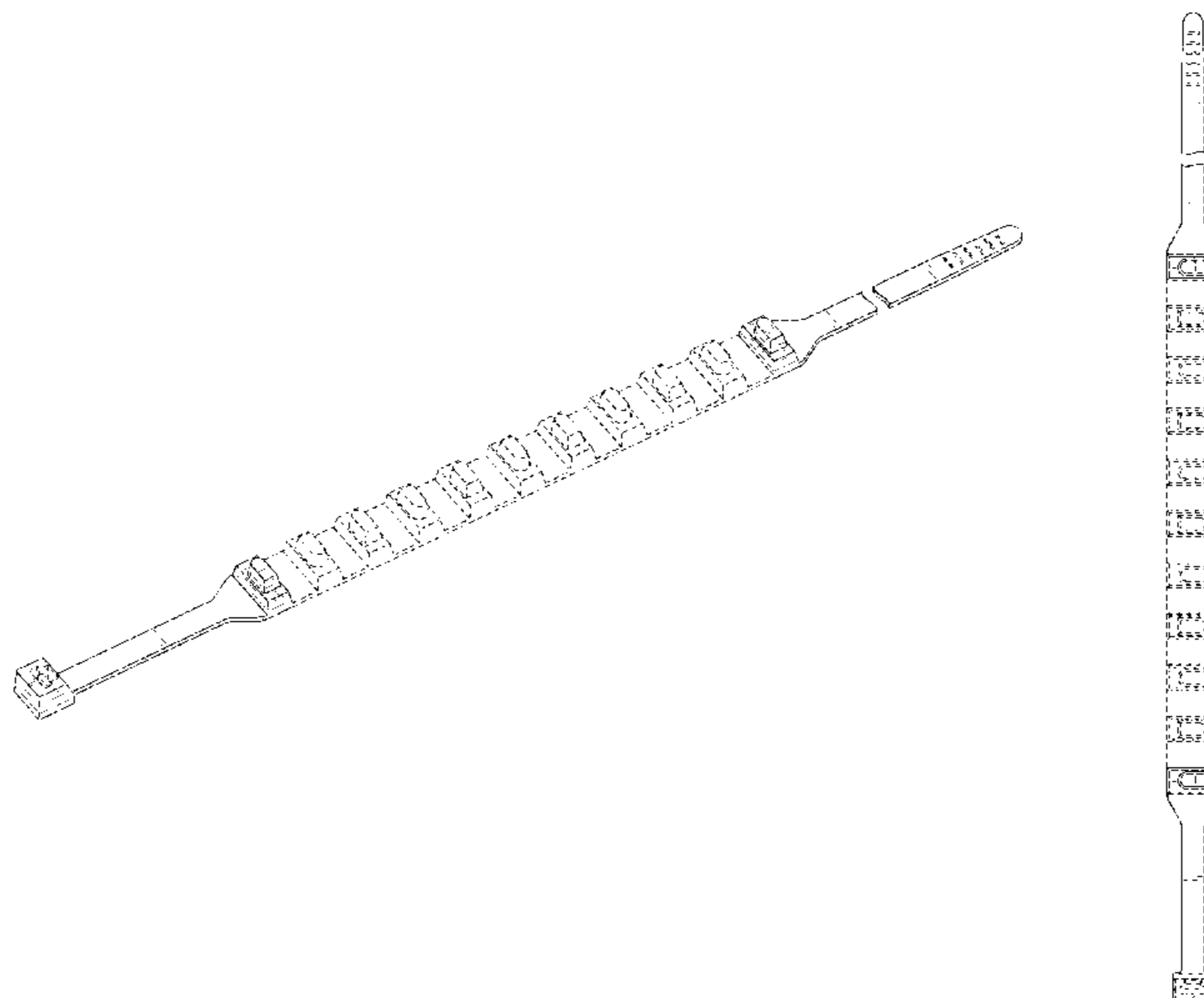
(57) **CLAIM**

The ornamental design for a tire traction device, as shown and described.

DESCRIPTION

FIG. 1 is a perspective view of a tire traction device of the claimed design;
FIG. 2 is a front elevational view thereof;
FIG. 3 is a back elevational view thereof;
FIG. 4 is a top elevational view thereof;
FIG. 5 is a bottom elevational view thereof;
FIG. 6 is a left side elevational view thereof;
FIG. 7 is a right side elevational view thereof; and,
FIG. 8 is a perspective view thereof, showing the tire traction device attached to an automobile tire.
The features shown in broken lines are environment only and not part of the claimed design.
The tire traction device is shown broken away to indicate no specific length.

1 Claim, 4 Drawing Sheets



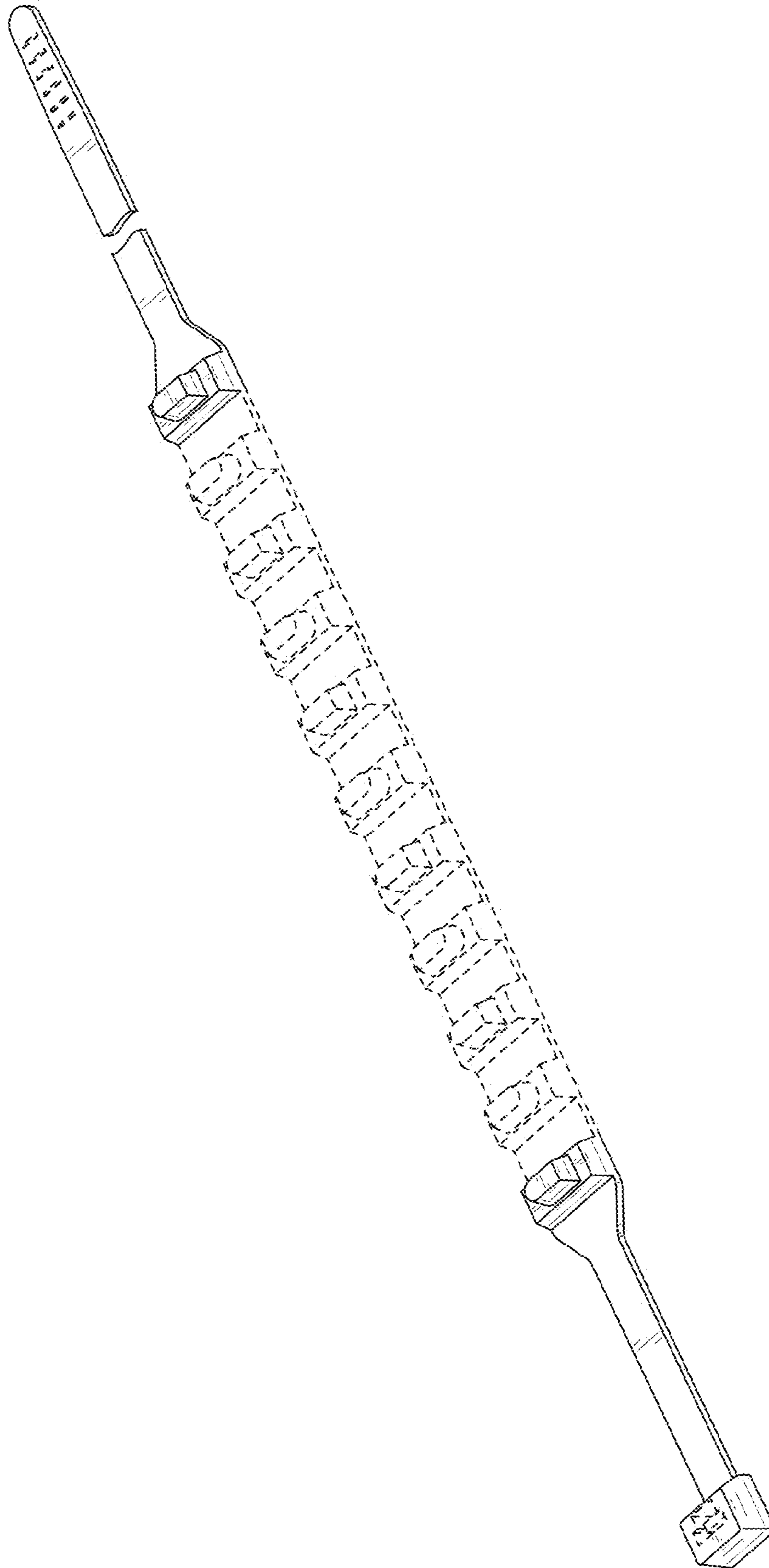


FIG. 1

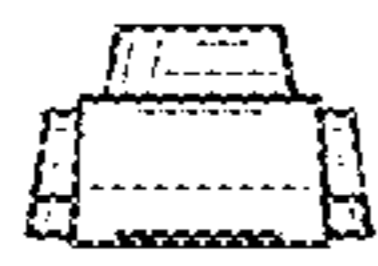


FIG. 2



FIG. 3



FIG. 4



FIG. 5

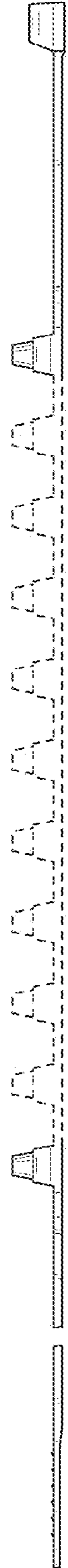


FIG. 6

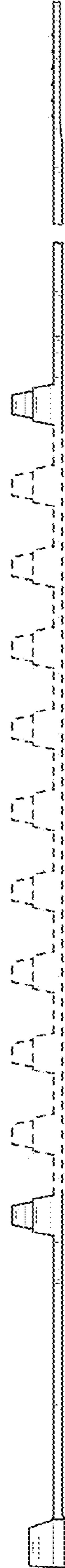


FIG. 7

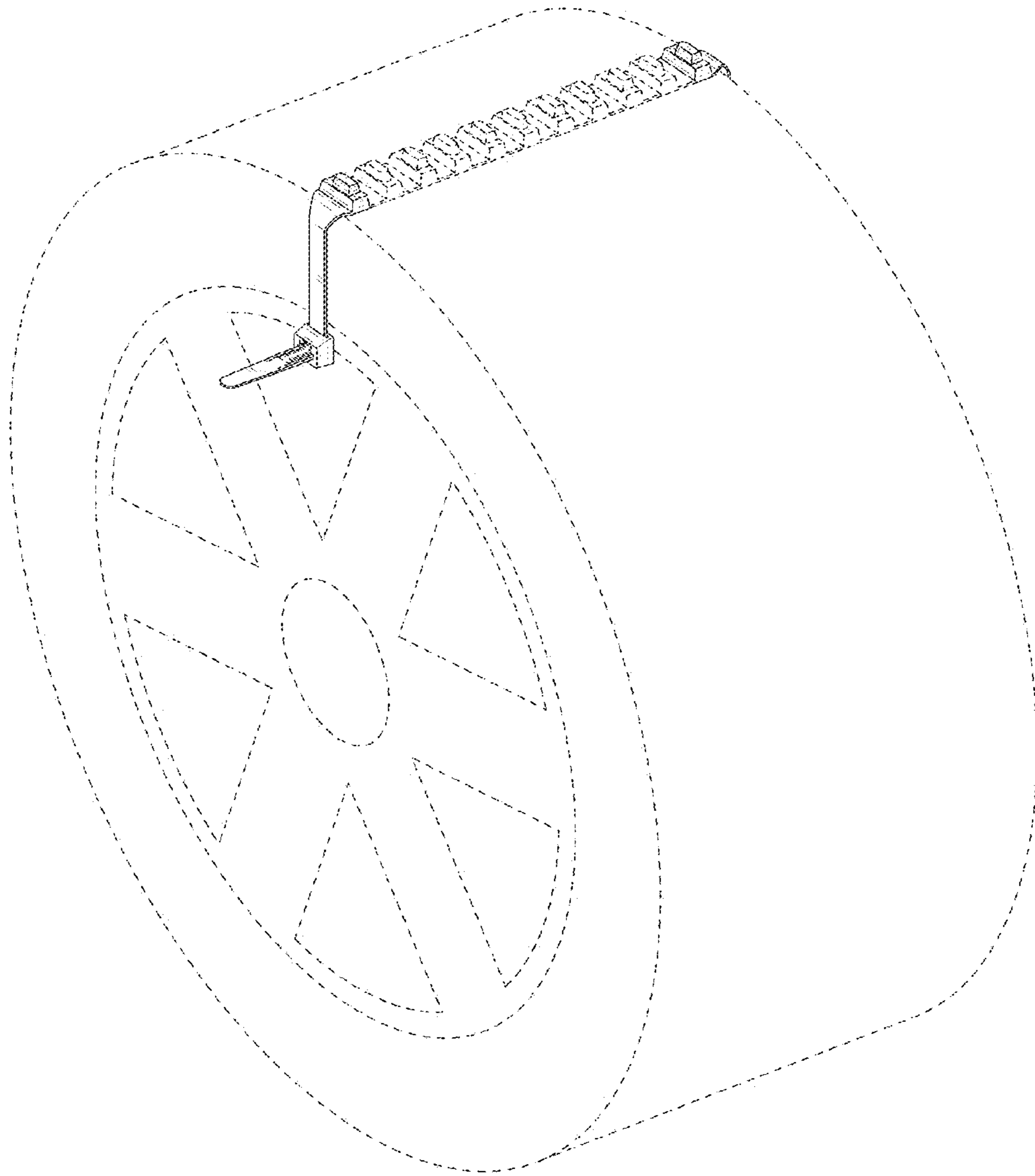


FIG. 8