



US00D707618S

(12) **United States Design Patent**
Voglmayr

(10) **Patent No.:** **US D707,618 S**
(45) **Date of Patent:** **** Jun. 24, 2014**

- (54) **LIFT FOR PICKUP TRUCK**
- (71) Applicant: **Trevor Voglmayr**, Cabin John, MD (US)
- (72) Inventor: **Trevor Voglmayr**, Cabin John, MD (US)
- (**) Term: **14 Years**
- (21) Appl. No.: **29/472,259**
- (22) Filed: **Nov. 11, 2013**

5,634,681	A *	6/1997	Gionta	296/3
5,806,905	A *	9/1998	Moore	296/3
5,829,812	A *	11/1998	Gionta	296/3
7,959,200	B2 *	6/2011	Voglmayr	296/26.05
8,087,704	B2 *	1/2012	Wagner et al.	292/288

* cited by examiner

Primary Examiner — Katrina A Betton

(74) *Attorney, Agent, or Firm* — Whyte Hirschboeck Dudek S.C.

Related U.S. Application Data

- (60) Division of application No. 29/393,369, filed on Jun. 3, 2011, now Pat. No. Des. 695,675, which is a continuation-in-part of application No. 12/021,410, filed on Jan. 29, 2008, now Pat. No. 7,959,200.
- (51) **LOC (10) Cl.** **12-99**
- (52) **U.S. Cl.**
USPC **D12/414.1**
- (58) **Field of Classification Search**
USPC D12/406, 401, 402, 412-414, 414.1;
280/814; 296/140; 224/309, 402, 488,
224/493, 315, 328
See application file for complete search history.

(57) **CLAIM**

An ornamental design for a lift for a pickup truck, as shown and described.

DESCRIPTION

FIG. 1 is a perspective view of a lift for a pickup truck showing my new design;
 FIG. 2 is a top plan view thereof;
 FIG. 3 is a left elevation view thereof;
 FIG. 4 is a bottom plan view thereof;
 FIG. 5 is a rear elevation view thereof;
 FIG. 6 is a front elevation view thereof;
 FIG. 7 is a right elevation view thereof; and,
 FIG. 8 is a perspective view of the lift for pickup truck of FIG. 1 in a lowered position.
 In the drawings, the broken lines depict a pickup truck and form no part of the claimed design.

(56) **References Cited**

U.S. PATENT DOCUMENTS

- 4,065,041 A * 12/1977 Stegavig et al. 224/327
- 4,267,948 A * 5/1981 Lewis 224/42.34

1 Claim, 4 Drawing Sheets

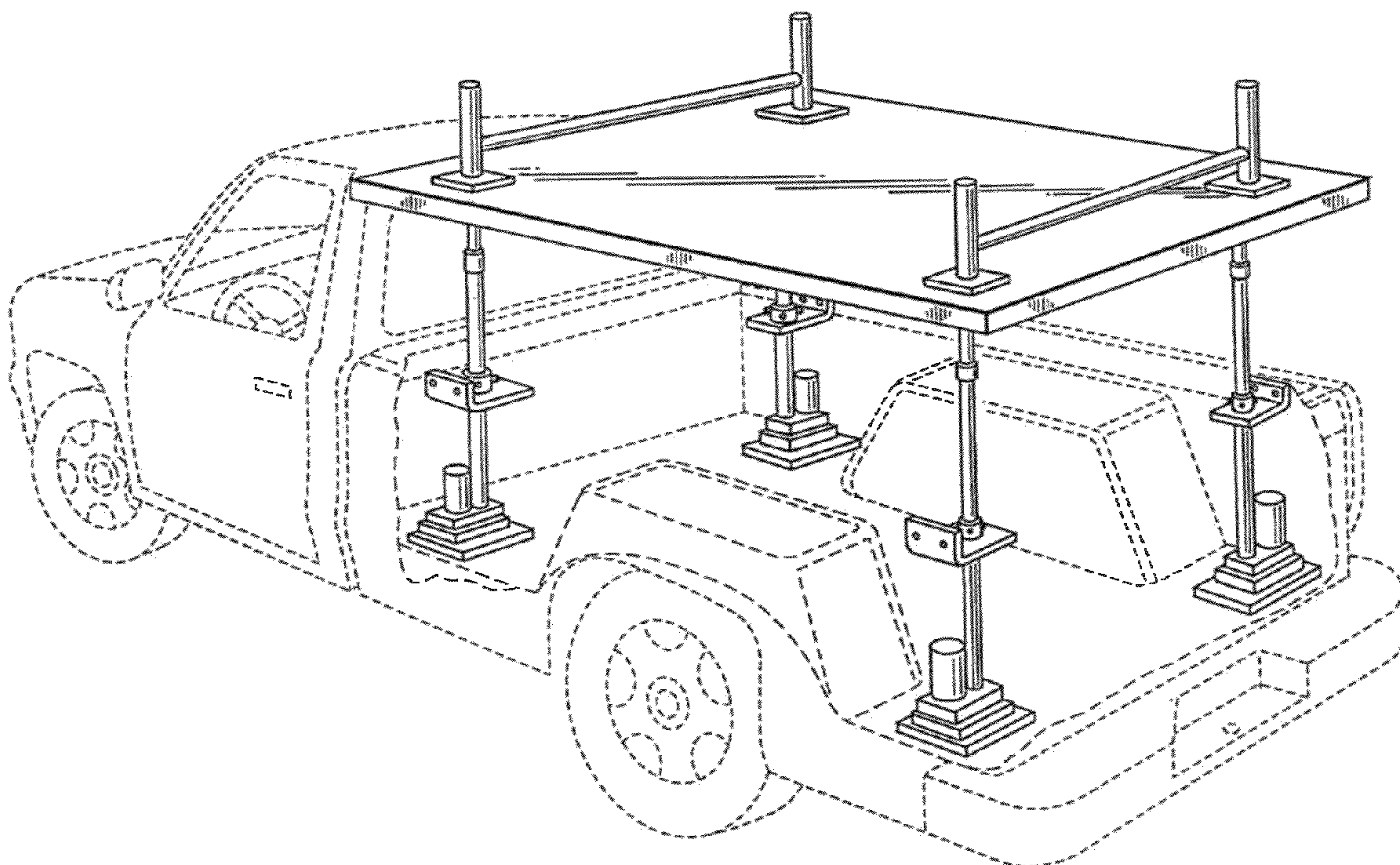


Fig. 1

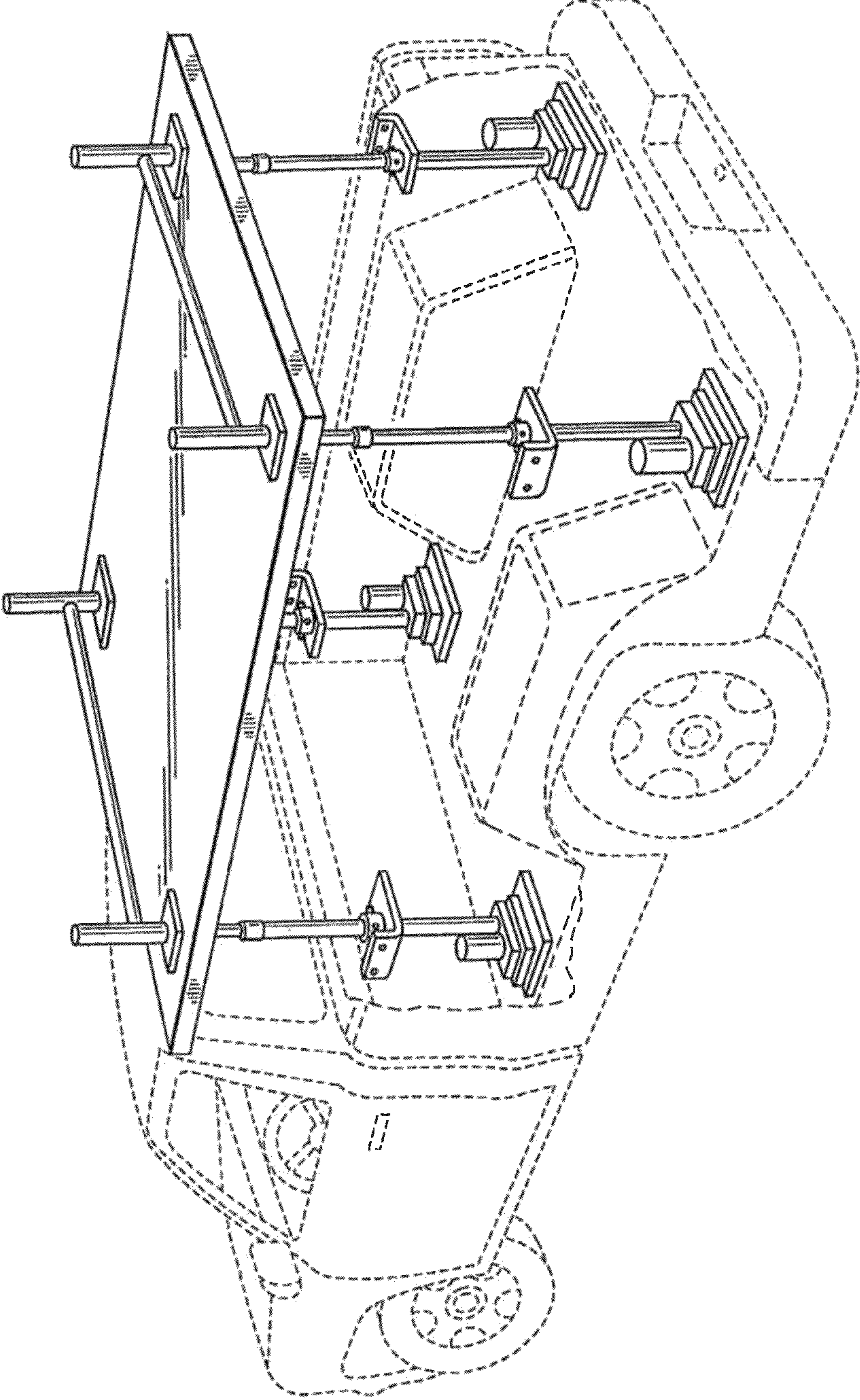


Fig. 2

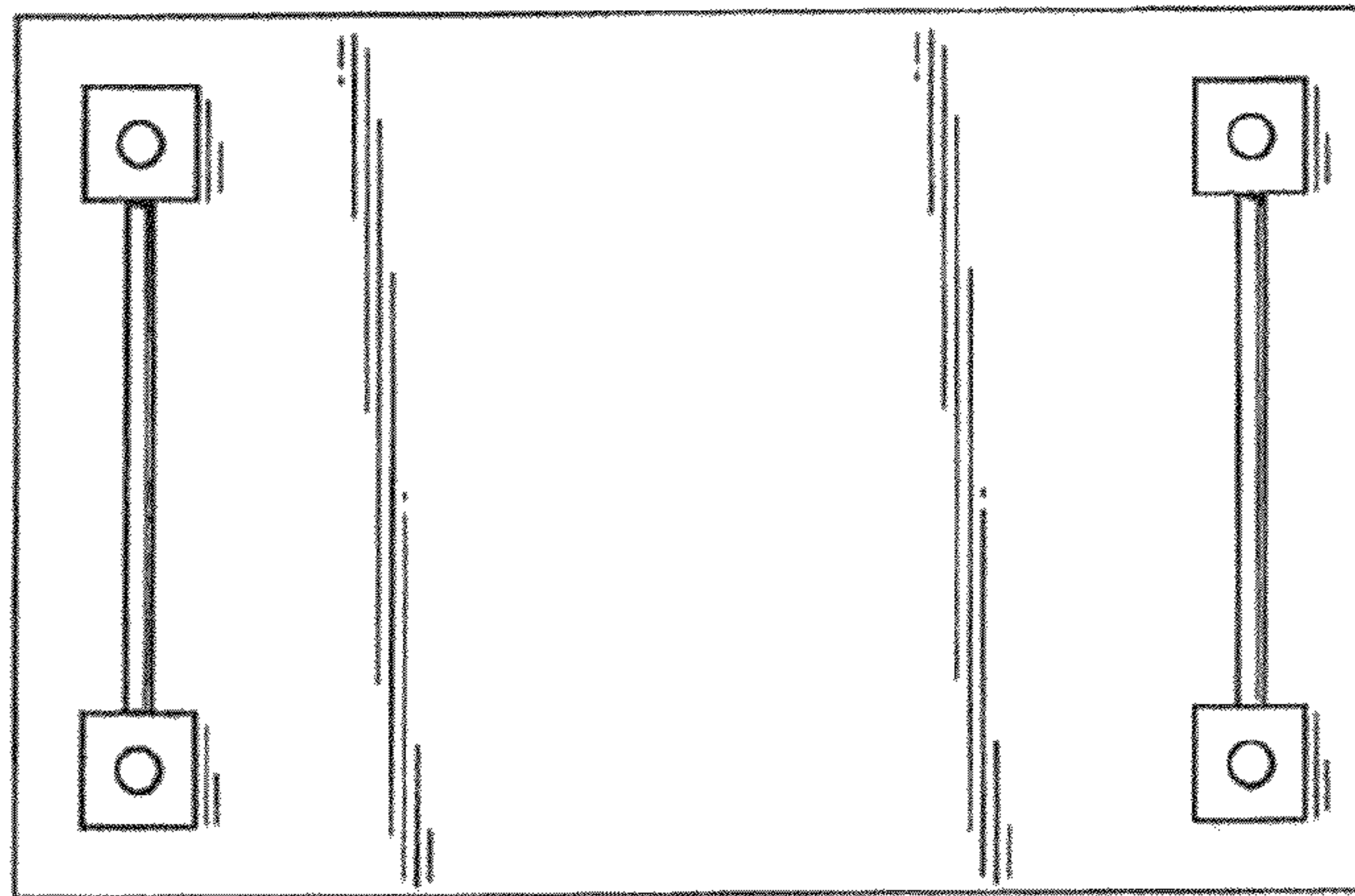


Fig. 3

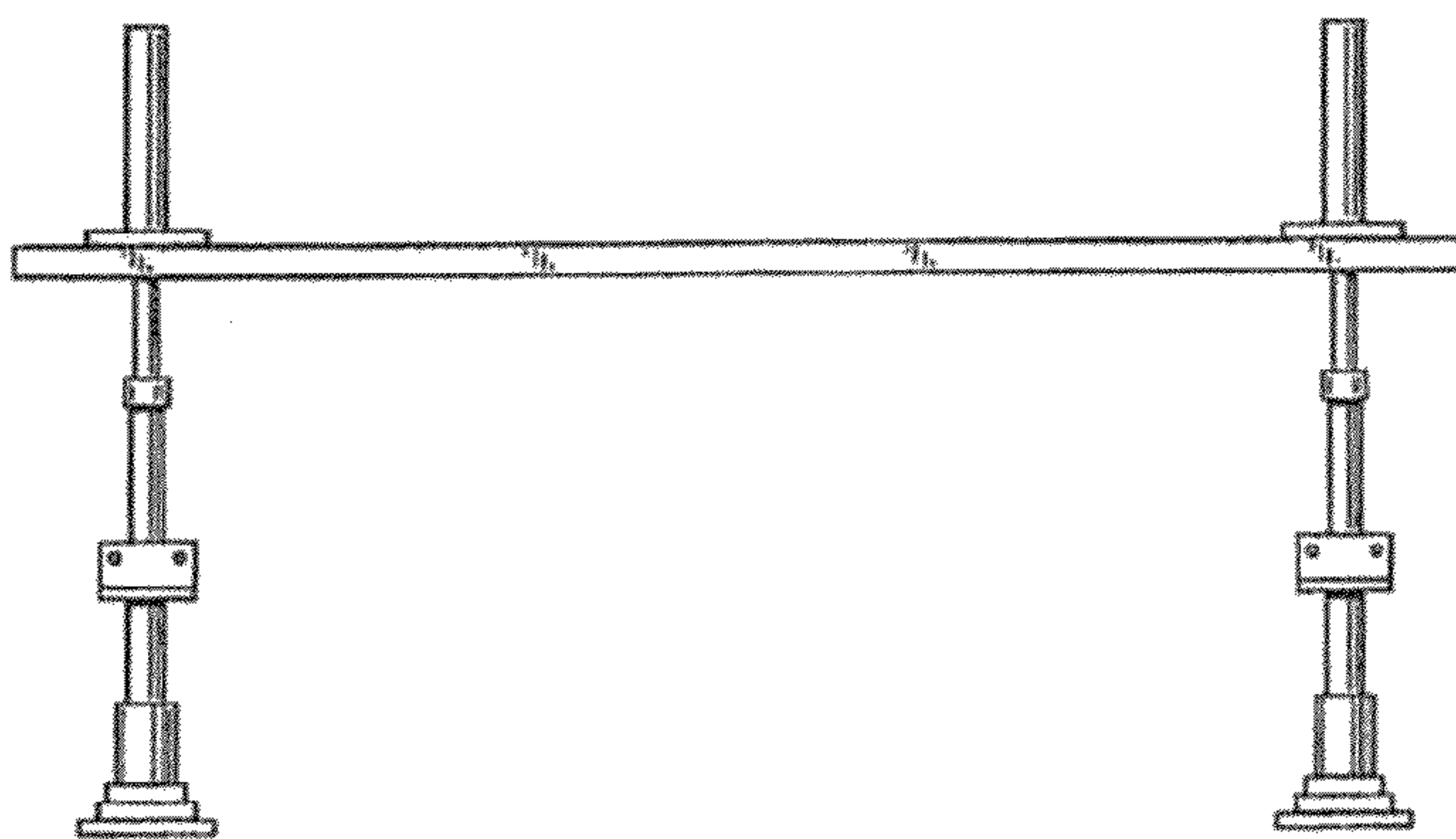


Fig. 4

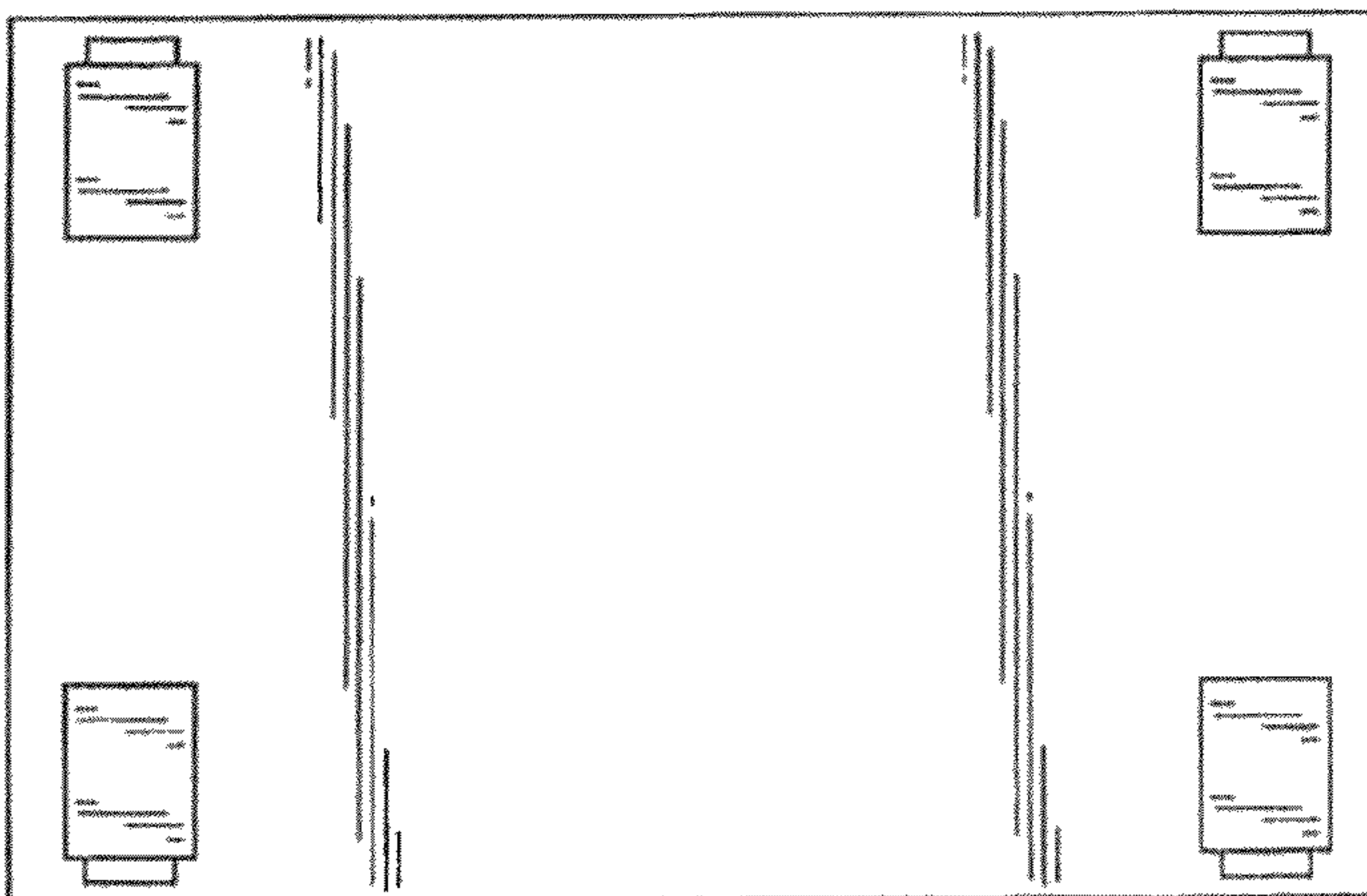


Fig. 5

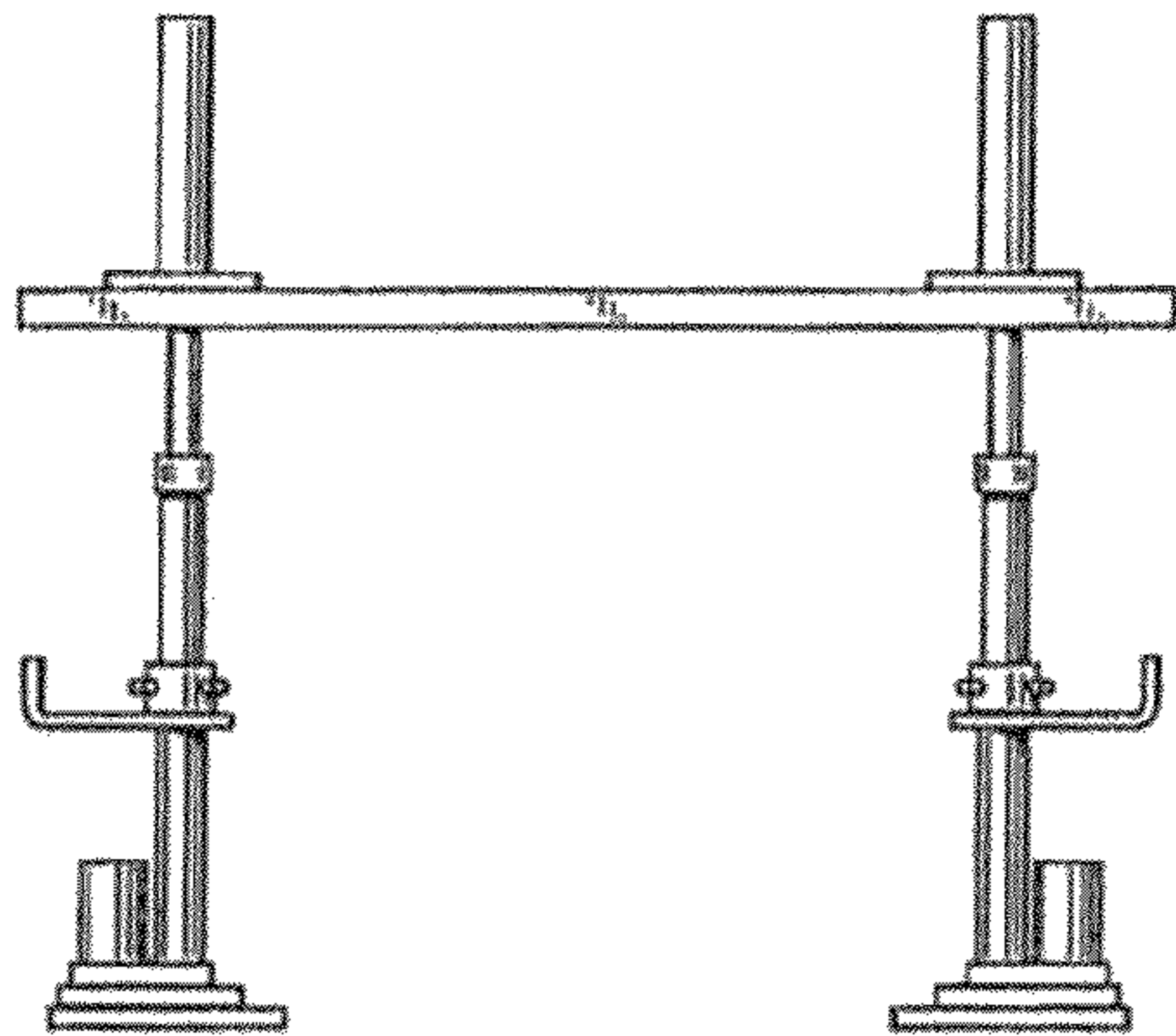


Fig. 6

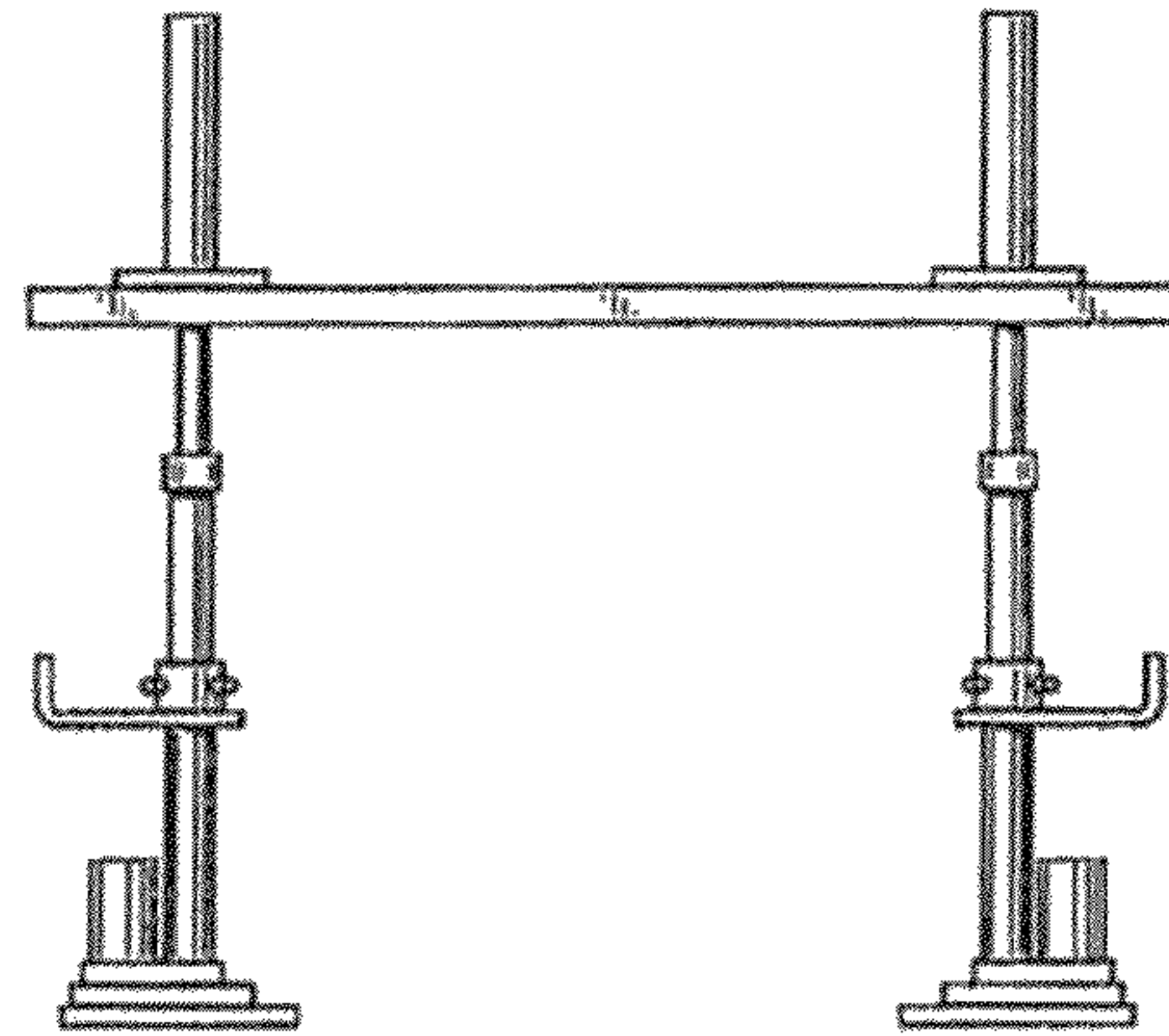


Fig. 7

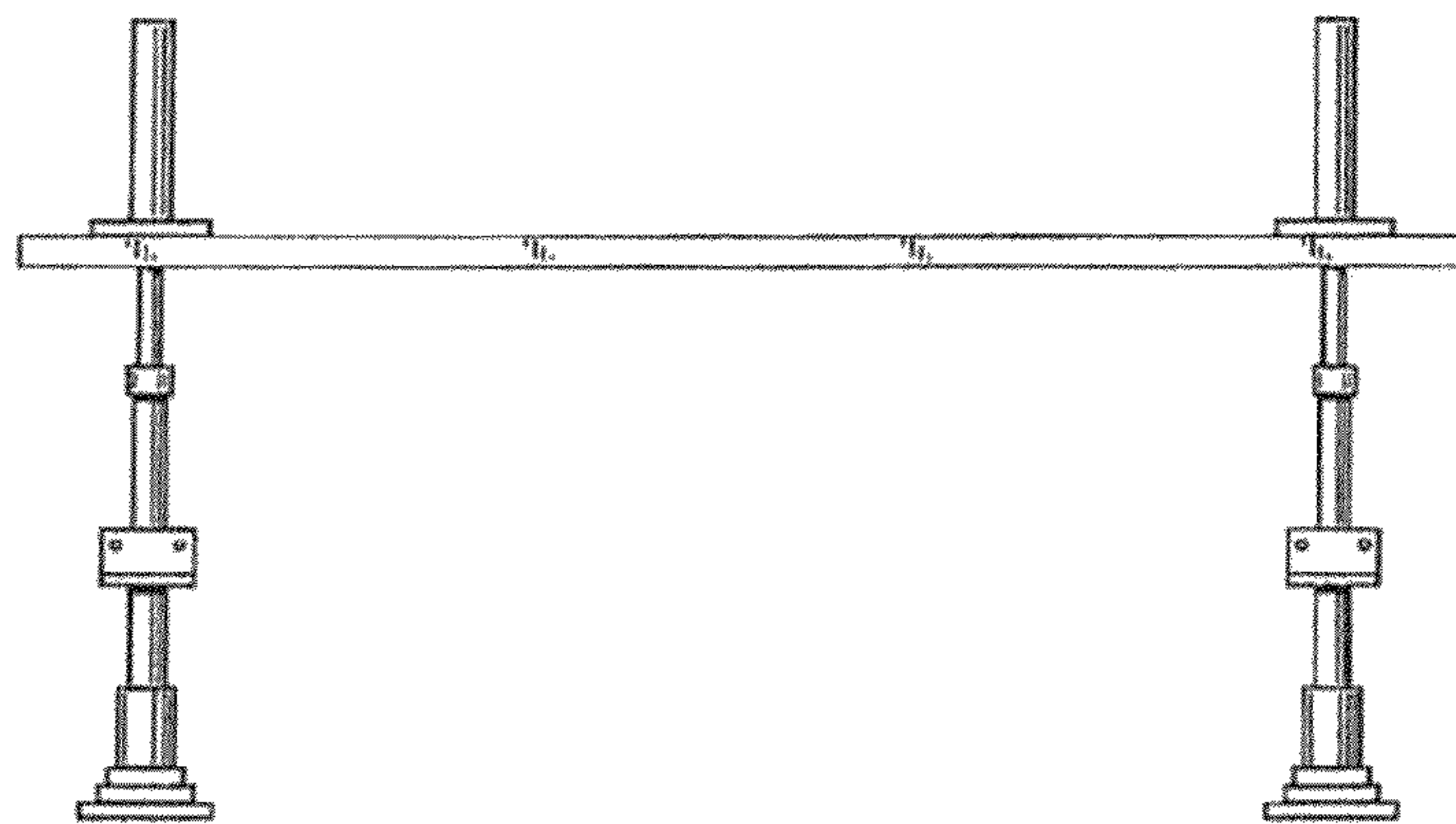


Fig. 8

