



US00D707615S

(12) **United States Design Patent**
Yue

(10) **Patent No.:** **US D707,615 S**
(45) **Date of Patent:** **** Jun. 24, 2014**

(54) **CORNER REINFORCEMENT MEMBER OF A TONNEAU COVER SYSTEM OF A PICK-UP TRUCK**

2008/0078022 A1* 4/2008 Wecker 5/1
2008/0141457 A1* 6/2008 Forshpan 5/100
2009/0293193 A1* 12/2009 Neatherry et al. 5/1

* cited by examiner

(75) Inventor: **Shiawdar Shaun Yue**, Cupertino, CA (US)

Primary Examiner — Katrina A Betton

(73) Assignee: **CYC Engineering, Inc.**, Fremont, CA (US)

(57) **CLAIM**

The ornamental design for a corner reinforcement member of a tonneau cover system of a pick-up truck, as shown and described.

(**) Term: **14 Years**

DESCRIPTION

(21) Appl. No.: **29/405,757**

FIG. 1 is a perspective view of a corner reinforcement member of a tonneau cover system of a pick-up truck showing our new design;

(22) Filed: **Nov. 4, 2011**

FIG. 2 is a front view thereof;

(51) **LOC (10) Cl.** **12-16**

FIG. 3 is a rear view thereof;

(52) **U.S. Cl.**

FIG. 4 is a left side view thereof;

USPC **D12/400**

FIG. 5 is a right side view thereof;

(58) **Field of Classification Search**

USPC D12/400; 5/7, 17, 53, 1, 100; 410/35

FIG. 6 is a top view thereof;

See application file for complete search history.

FIG. 7 is a bottom view thereof; and,

(56) **References Cited**

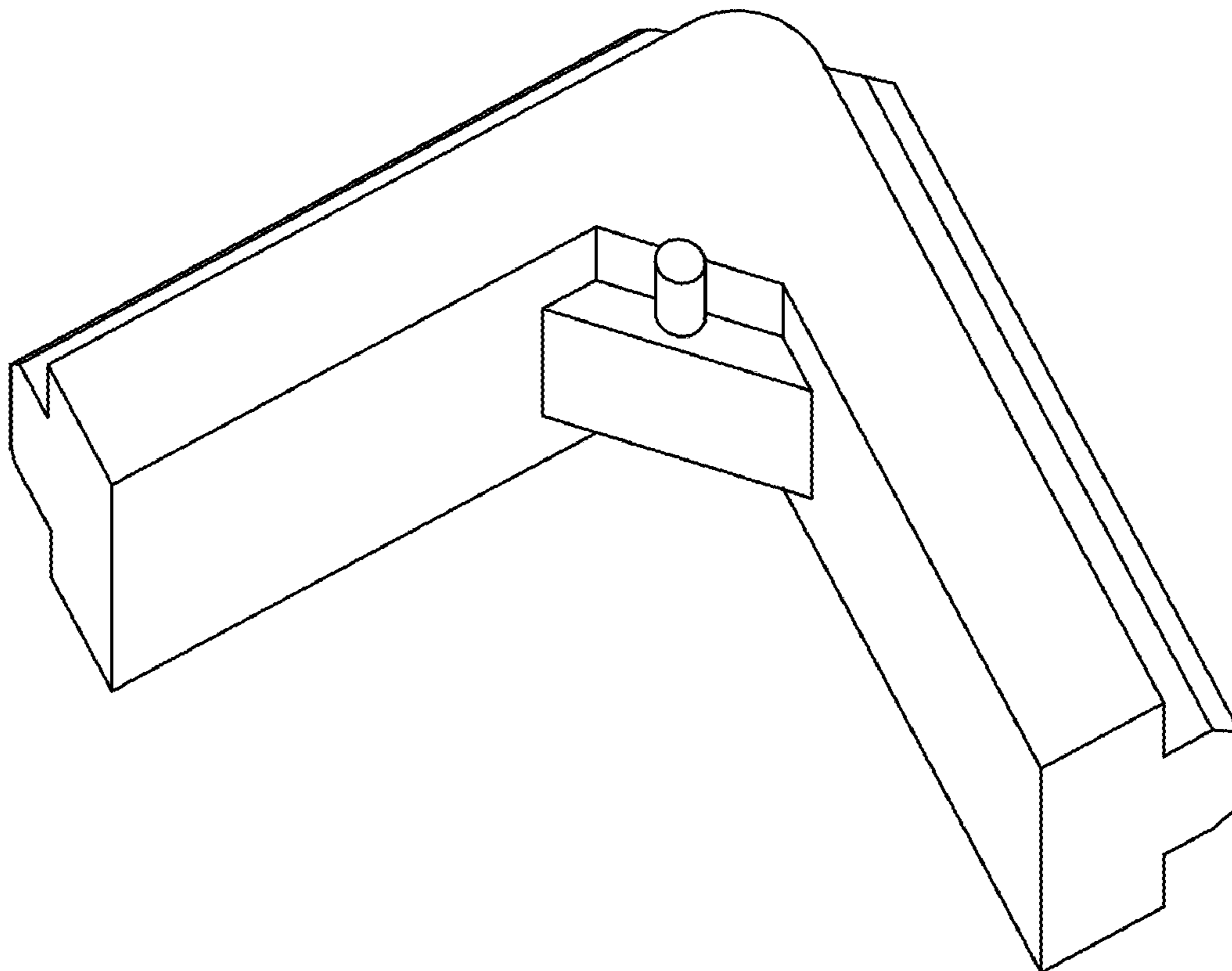
FIG. 8 is an environmental perspective view thereof, wherein the corner reinforcement member is mounted on a corner portion of a frame section of the tonneau cover system of the pick-up truck.

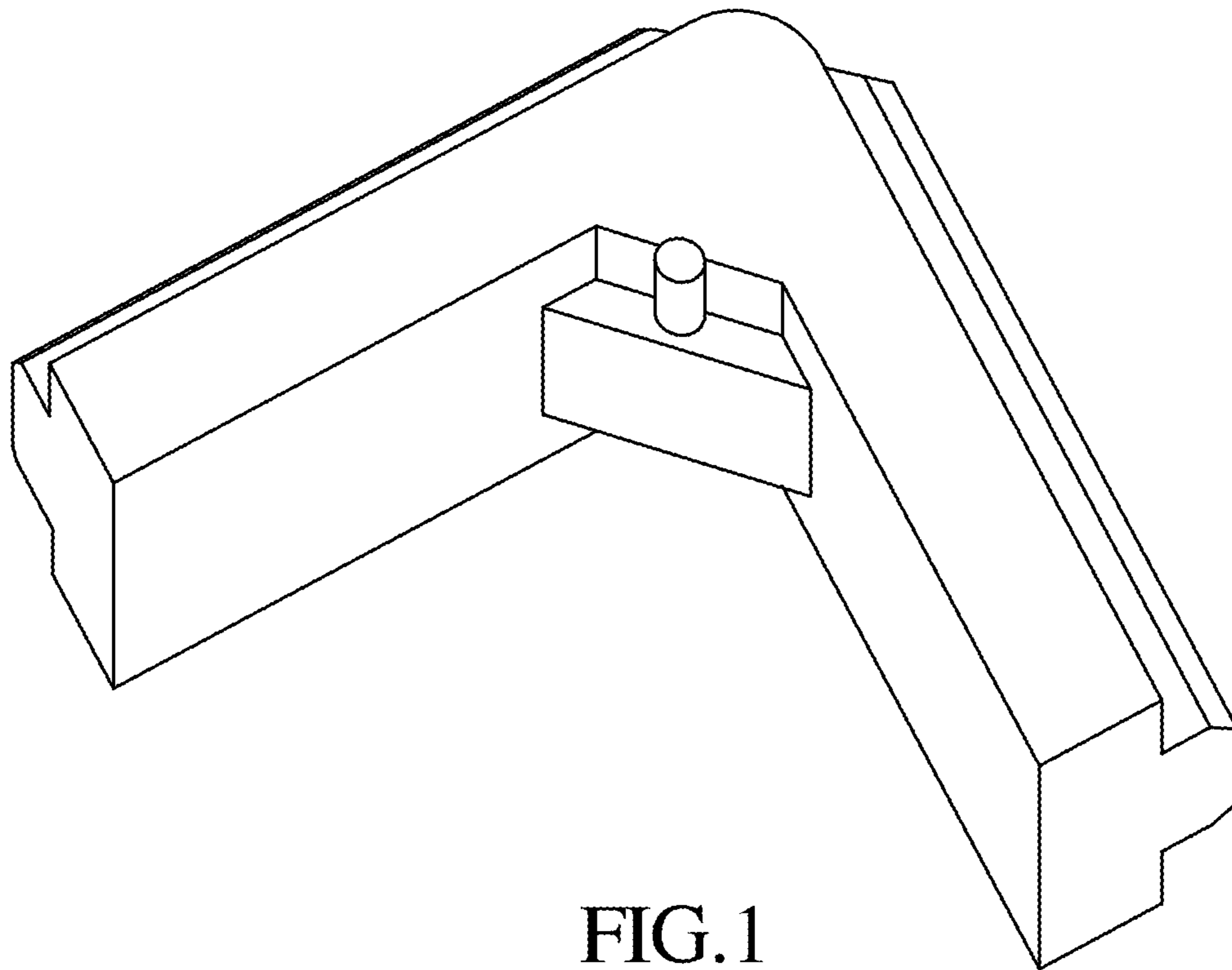
U.S. PATENT DOCUMENTS

The broken lines shown on FIG. 8 depict environment only and form no part of the claimed design.

639,027 A * 12/1899 Foster 5/99.1
7,865,981 B2 * 1/2011 Harrow 5/400
D689,425 S * 9/2013 Olson D12/400
D694,699 S * 12/2013 Barram D12/400

1 Claim, 7 Drawing Sheets





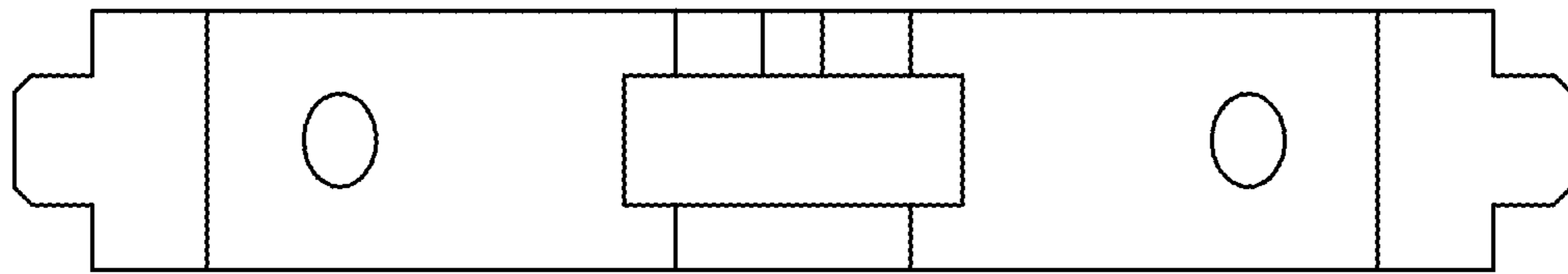


FIG.2

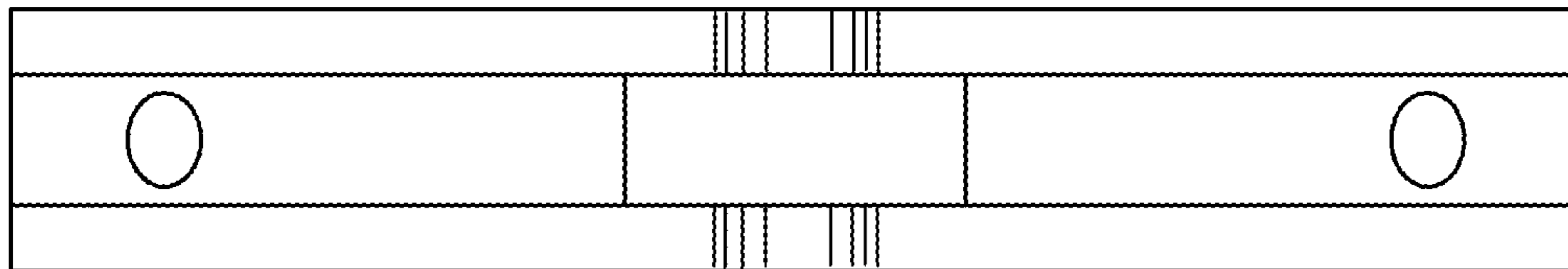


FIG.3

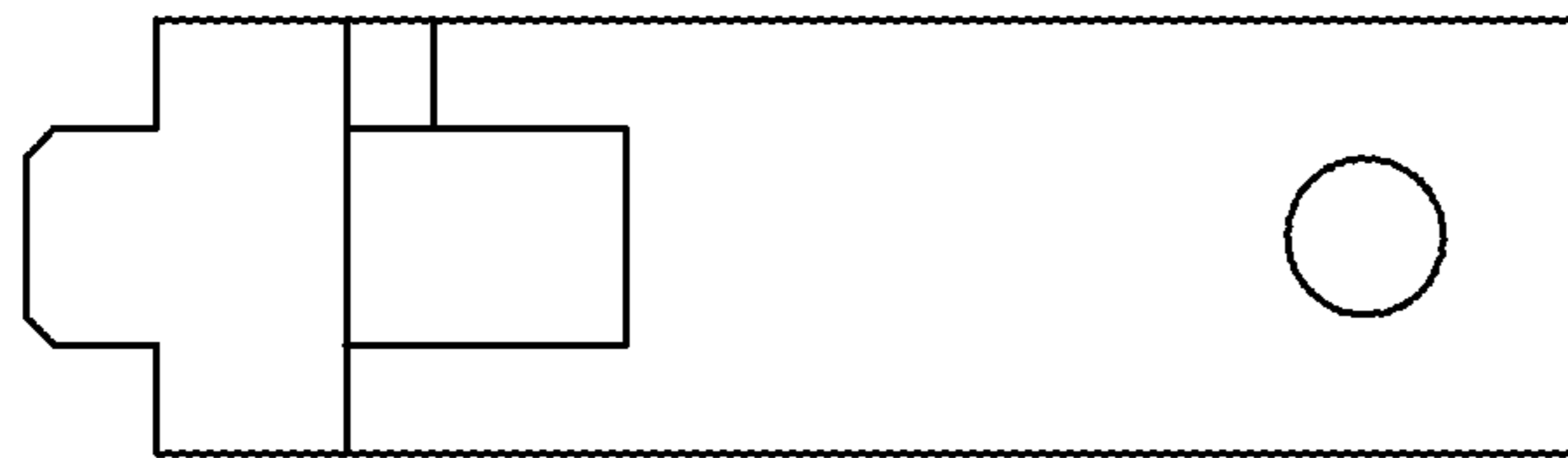


FIG. 4

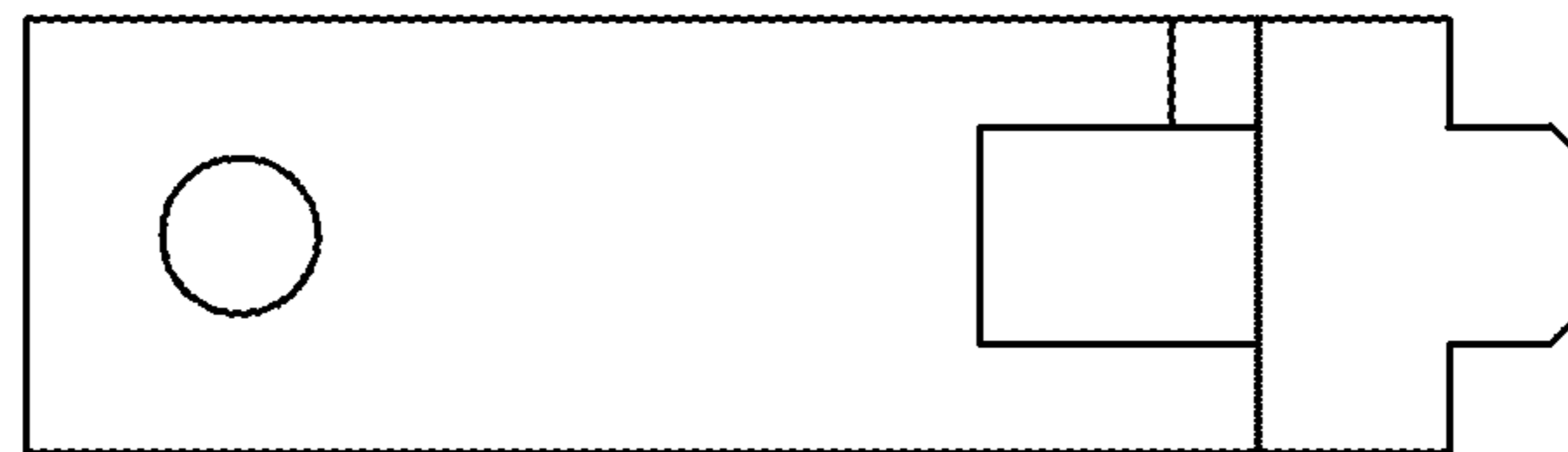


FIG. 5

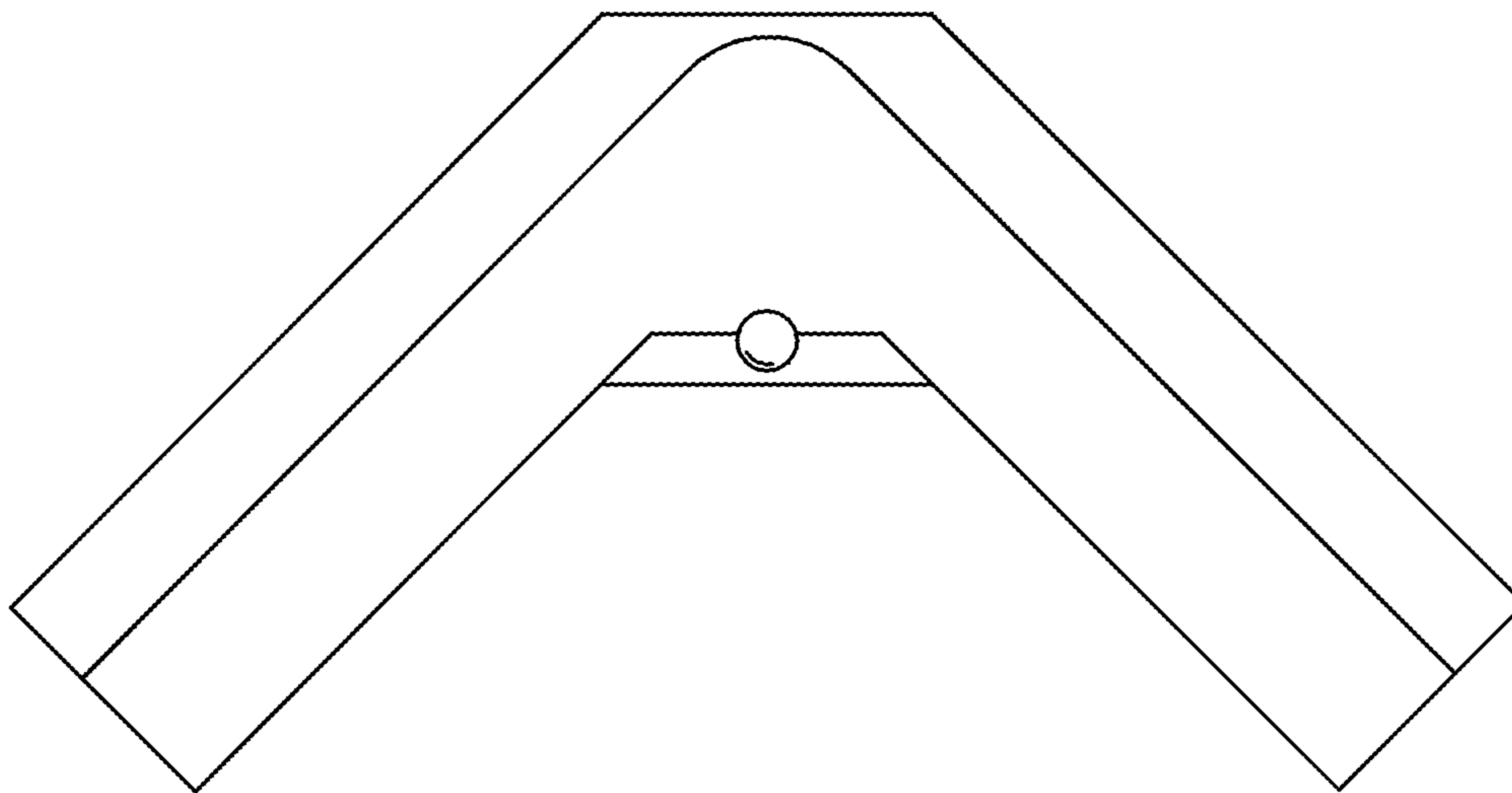


FIG.6

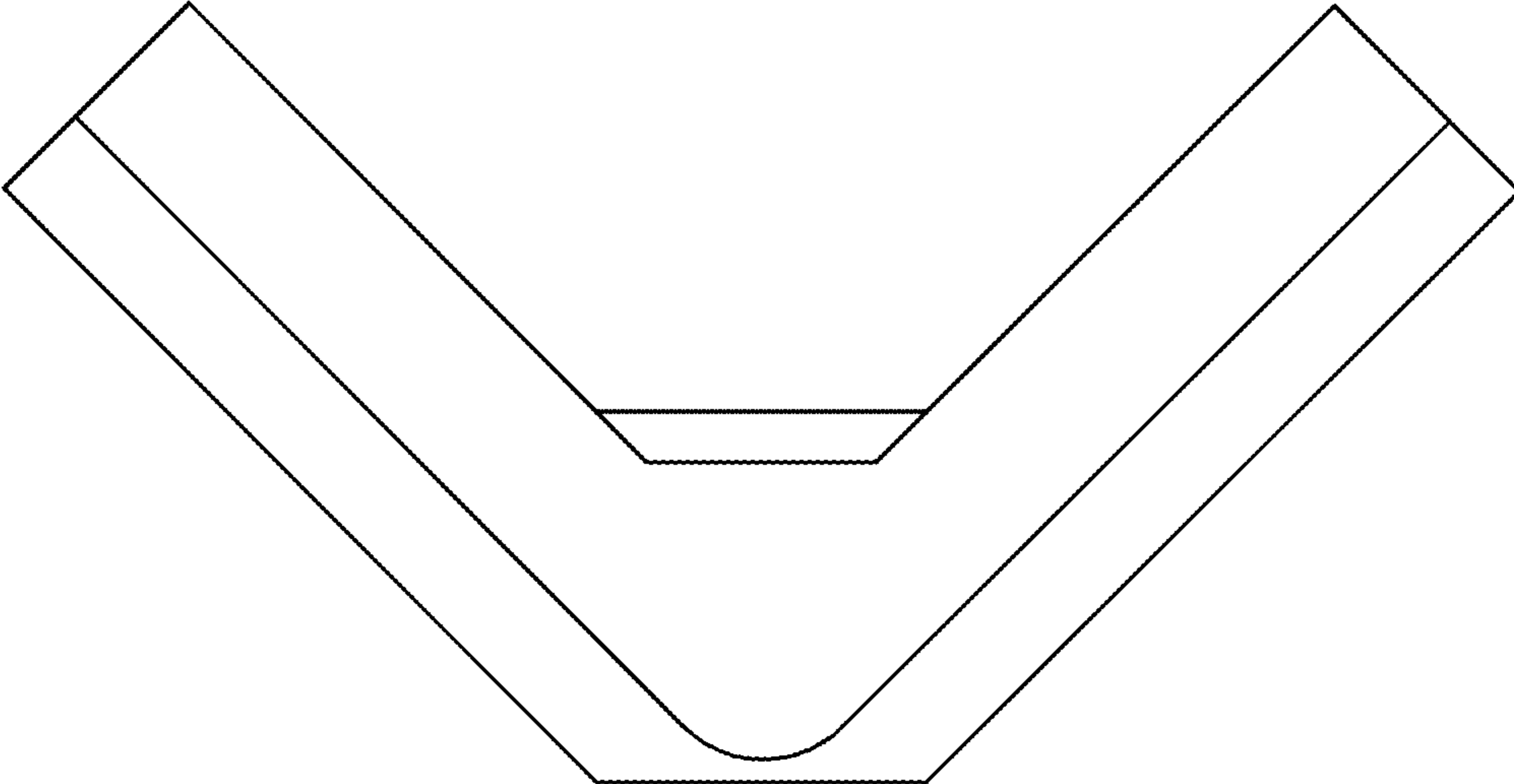


FIG.7

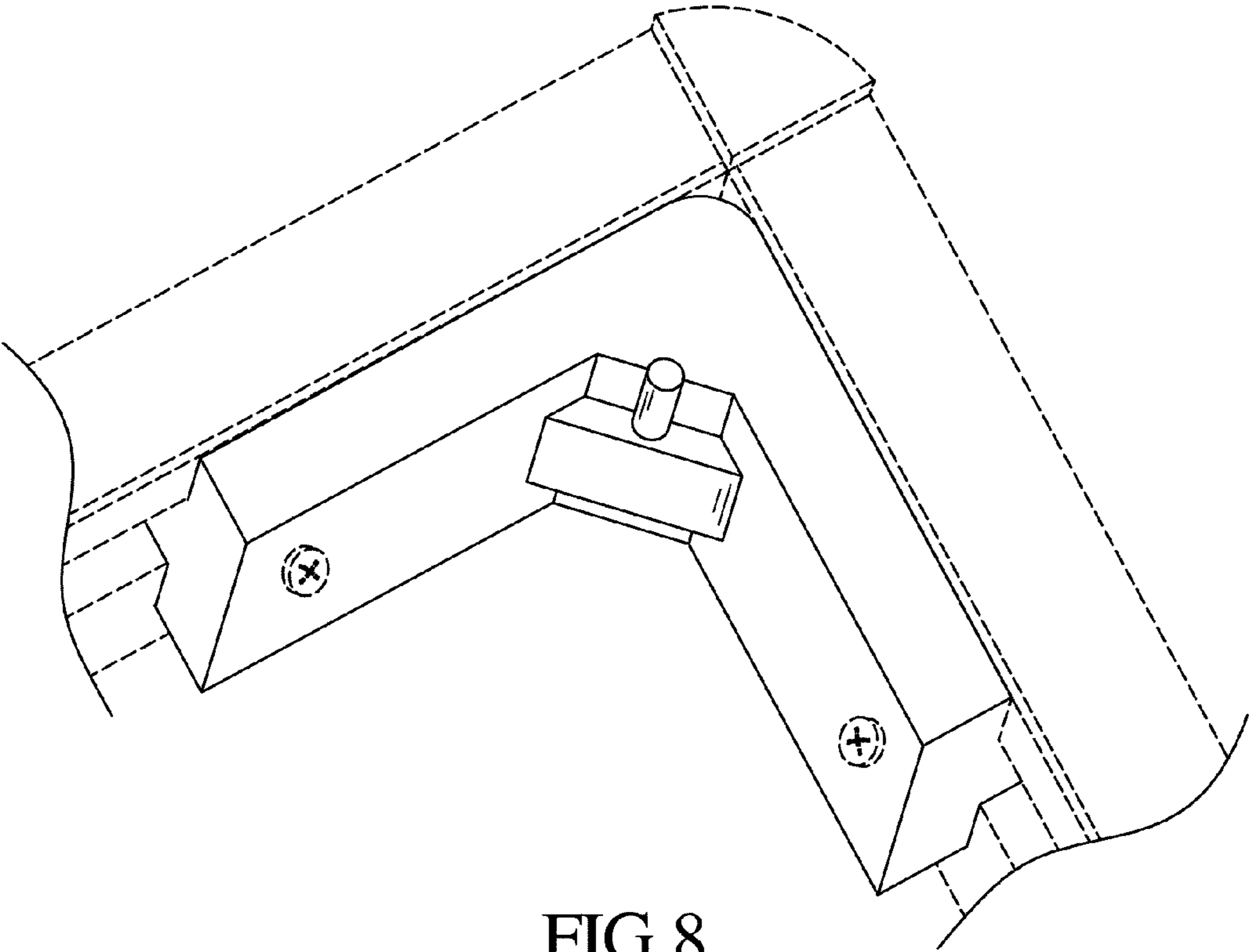


FIG. 8