



US00D707612S

(12) **United States Design Patent**
Sanberg

(10) **Patent No.:** **US D707,612 S**
(45) **Date of Patent:** **** Jun. 24, 2014**

- (54) **WIPER BLADE ORNAMENT**
- (71) Applicant: **Paul R. Sanberg**, Spring Hill, FL (US)
- (72) Inventor: **Paul R. Sanberg**, Spring Hill, FL (US)
- (73) Assignee: **University of South Florida**, Tampa, FL (US)

D668,299 S 10/2012 Bengyak
 D674,844 S 1/2013 Bengyak
 D675,678 S 2/2013 Bengyak
 D676,087 S 2/2013 Bengyak
 D681,126 S 4/2013 Bengyak
 D684,634 S 6/2013 Bengyak
 2005/0235448 A1 10/2005 Richard

* cited by examiner

- (**) Term: **14 Years**
- (21) Appl. No.: **29/467,860**

Primary Examiner — Katrina A Betton
 (74) *Attorney, Agent, or Firm* — Nicholas Pfeifer; Smith & Hopen, P.A.

- (22) Filed: **Sep. 24, 2013**
- (51) **LOC (10) Cl.** **12-06**
- (52) **U.S. Cl.**
USPC **D12/220**
- (58) **Field of Classification Search**
USPC D12/220, 219; 15/246, 247, 250.001,
15/250.4, 250.361, 250.19, 250.48,
15/250.03, 250.31–250.33, 250.201,
15/250.451, 250.458, 250.04, 250.07,
15/250.44
See application file for complete search history.

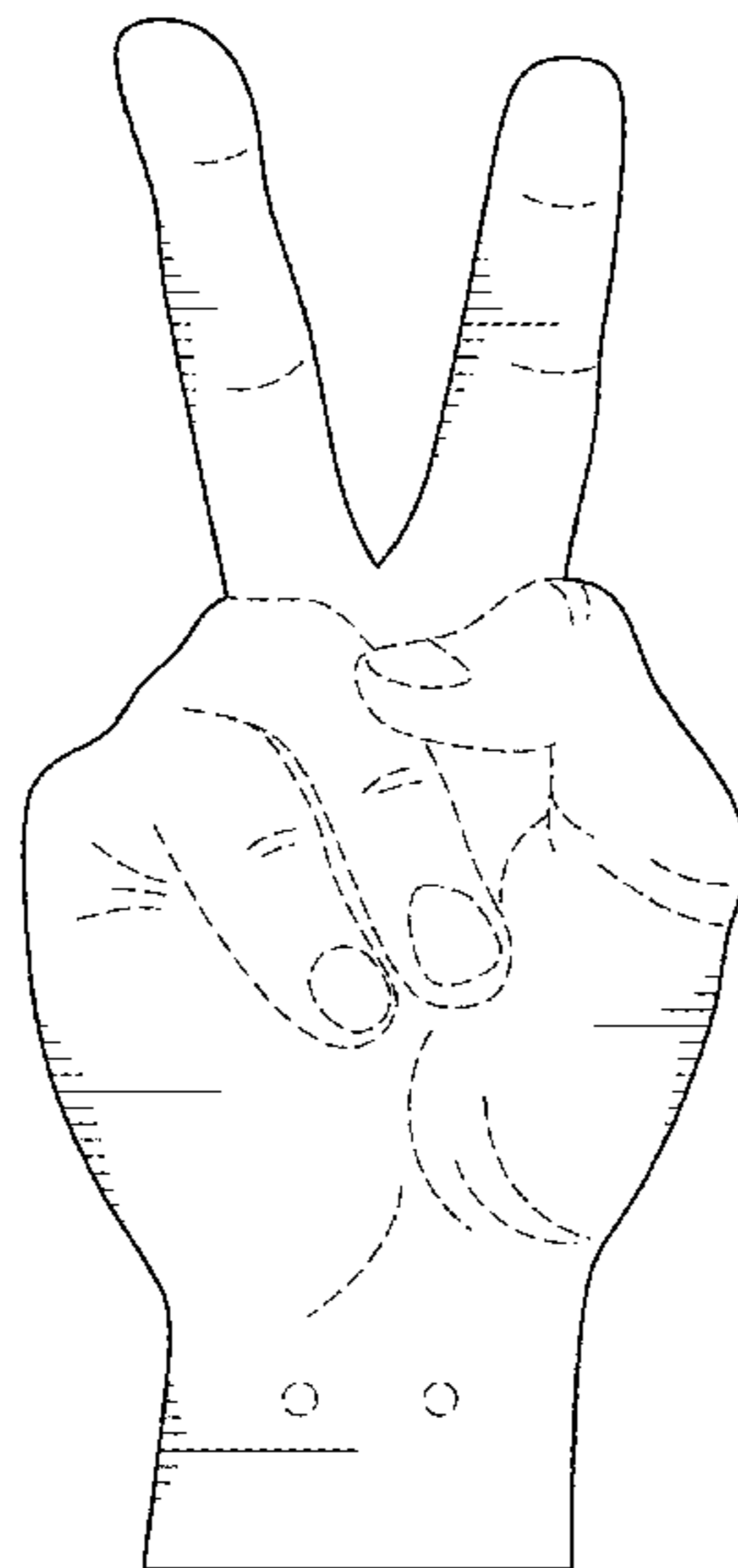
(57) **CLAIM**
 The ornamental design for a wiper blade ornament, as shown and described.

DESCRIPTION

FIG. 1 is a perspective view of a wiper blade ornament, showing the novel design;
 FIG. 2 is a front plan view of the wiper blade ornament shown in FIG. 1;
 FIG. 3 is a rear plan view of the wiper blade ornament shown in FIG. 1;
 FIG. 4 is a front plan view of the wiper blade ornament of FIG. 1 attached to a windshield wiper blade;
 FIG. 5 is a close-up view of the wiper blade ornament attached to a windshield wiper blade as shown in FIG. 4;
 FIG. 6 is a perspective view of an alternative embodiment of a wiper blade ornament, showing the novel design;
 FIG. 7 is a front plan view of the wiper blade ornament shown in FIG. 6;
 FIG. 8 is a rear plan view of the wiper blade ornament shown in FIG. 6;
 FIG. 9 is a front plan view of the wiper blade ornament of FIG. 6 attached to a windshield wiper blade; and,
 FIG. 10 is a close-up view of the wiper blade ornament attached to a windshield wiper blade as shown in FIG. 9.

- (56) **References Cited**
 U.S. PATENT DOCUMENTS
 D260,626 S * 9/1981 Kadar D11/160
 4,352,461 A * 10/1982 Orta et al. 239/211
 4,486,975 A * 12/1984 Harreld et al. 446/220
 D295,640 S * 5/1988 Breault D10/109.1
 D354,038 S * 1/1995 Redhawk D12/191
 D364,357 S 11/1995 Ledgerwood, II
 D391,308 S * 2/1998 Rapp D21/405
 D464,376 S * 10/2002 Zimmerman D20/33
 D565,278 S * 4/2008 Harland D2/615
 D567,476 S * 4/2008 Harland D2/615
 D586,716 S 2/2009 Radfar
 D587,314 S * 2/2009 Carnation, III D20/33
 D646,841 S * 10/2011 Roman D28/7
 D662,553 S * 6/2012 Selbe D20/33

1 Claim, 8 Drawing Sheets



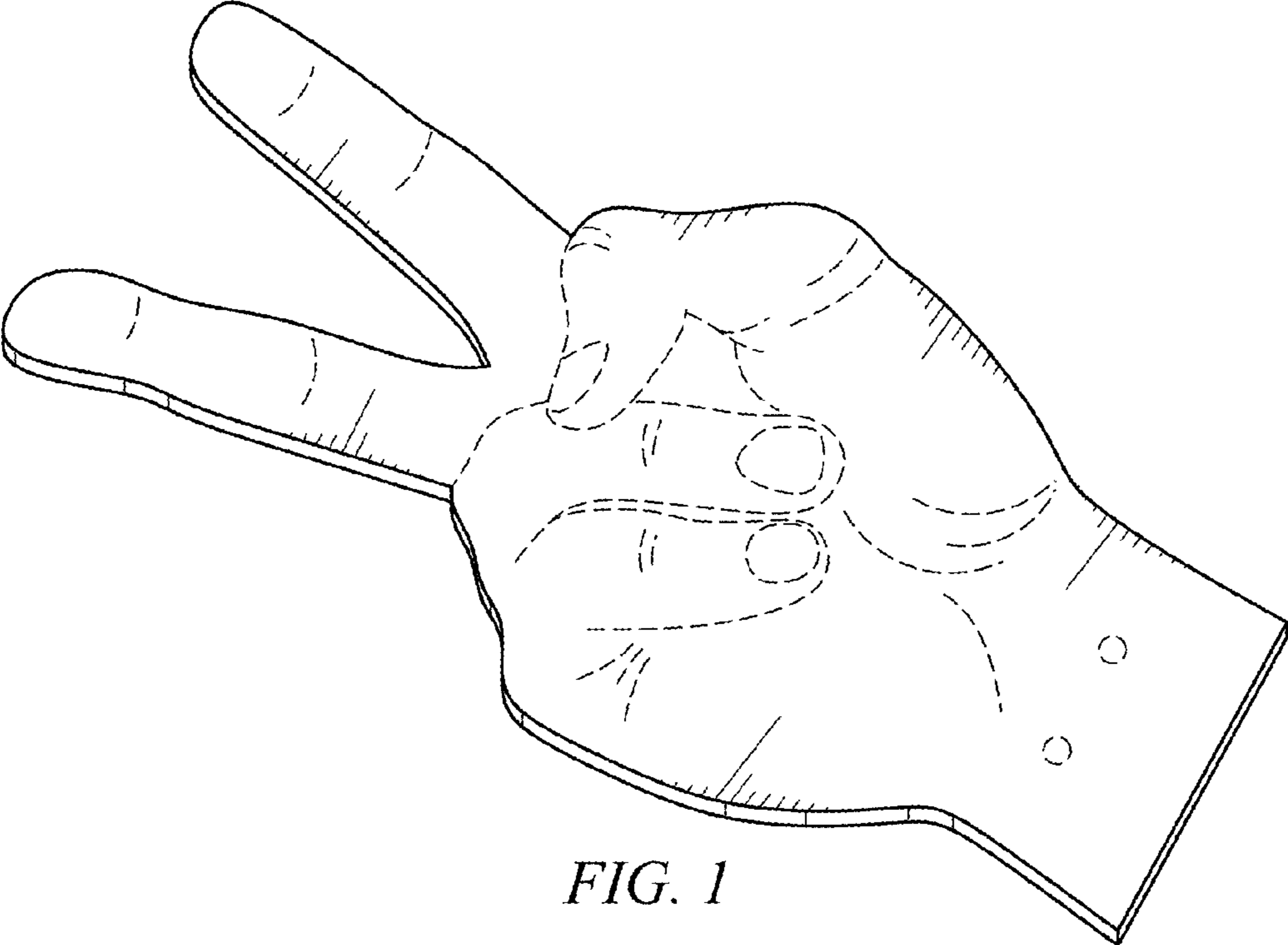


FIG. 1

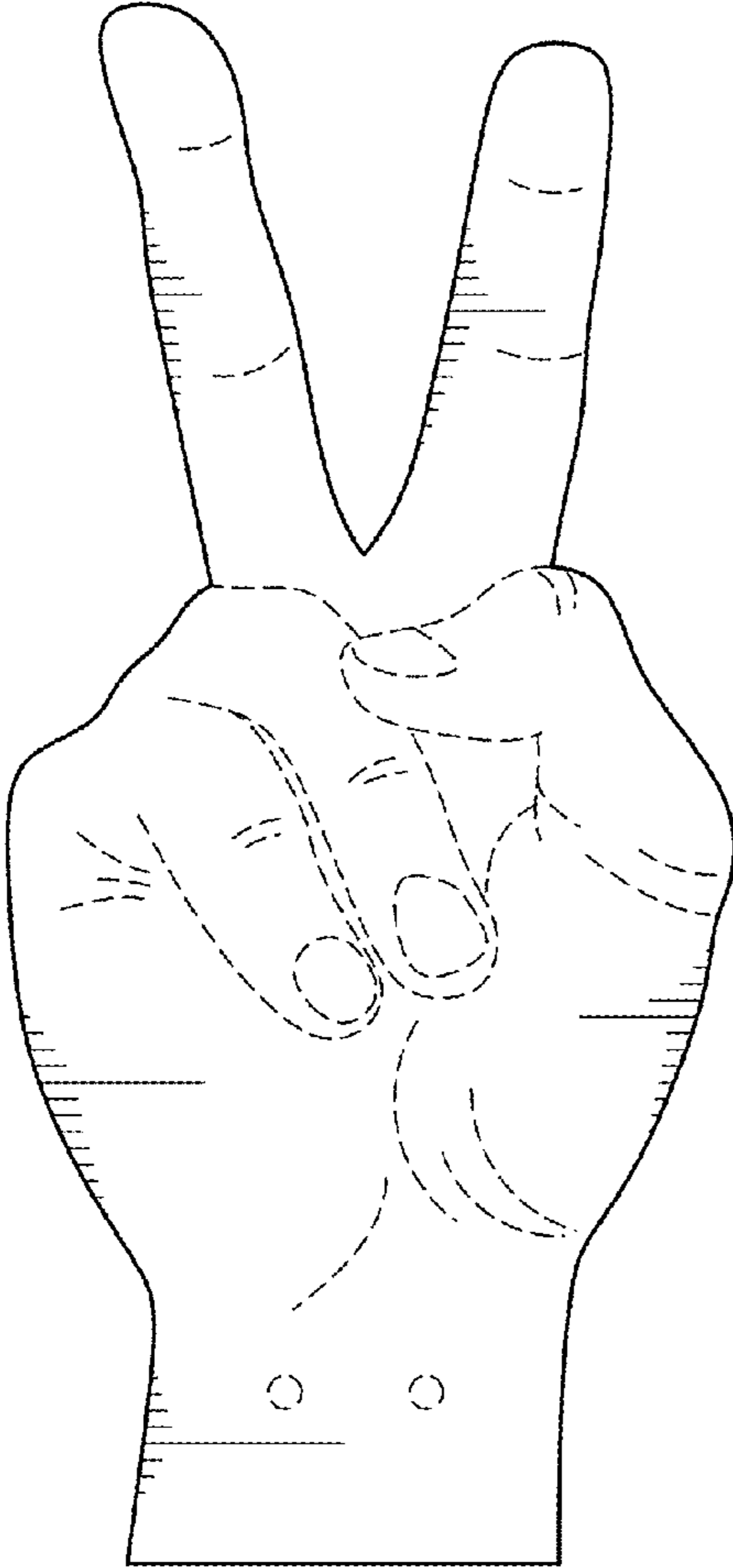


FIG. 2

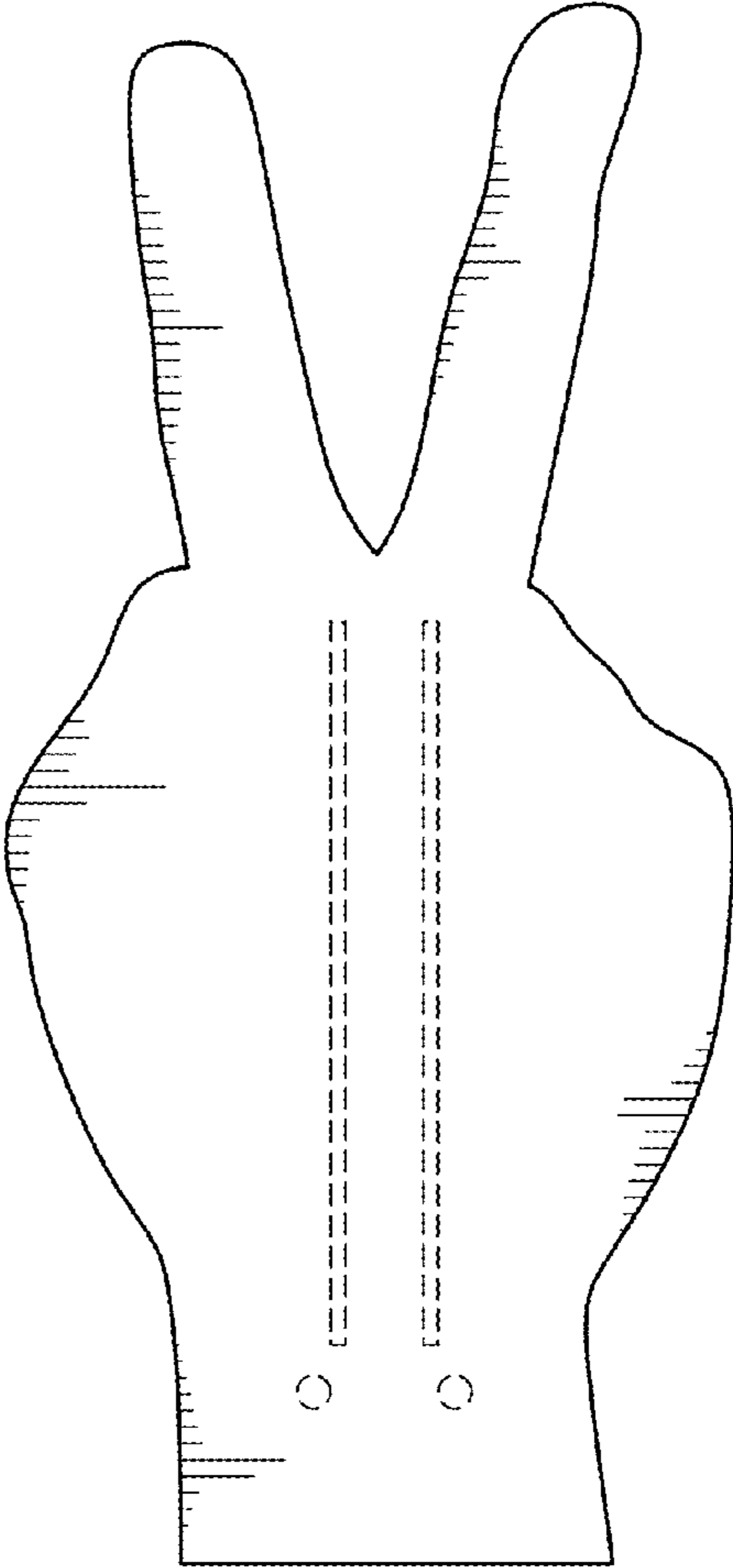


FIG. 3

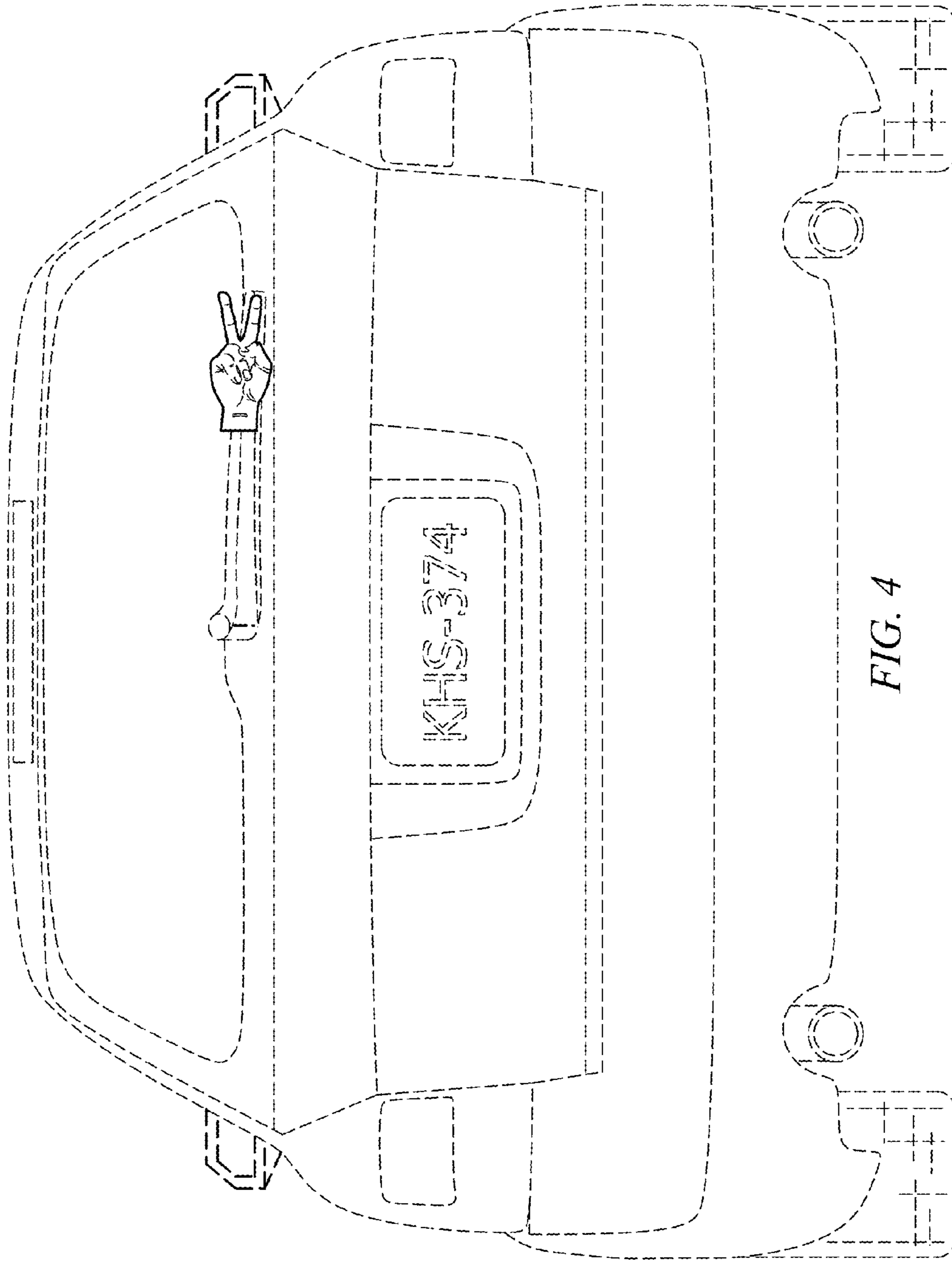


FIG. 4

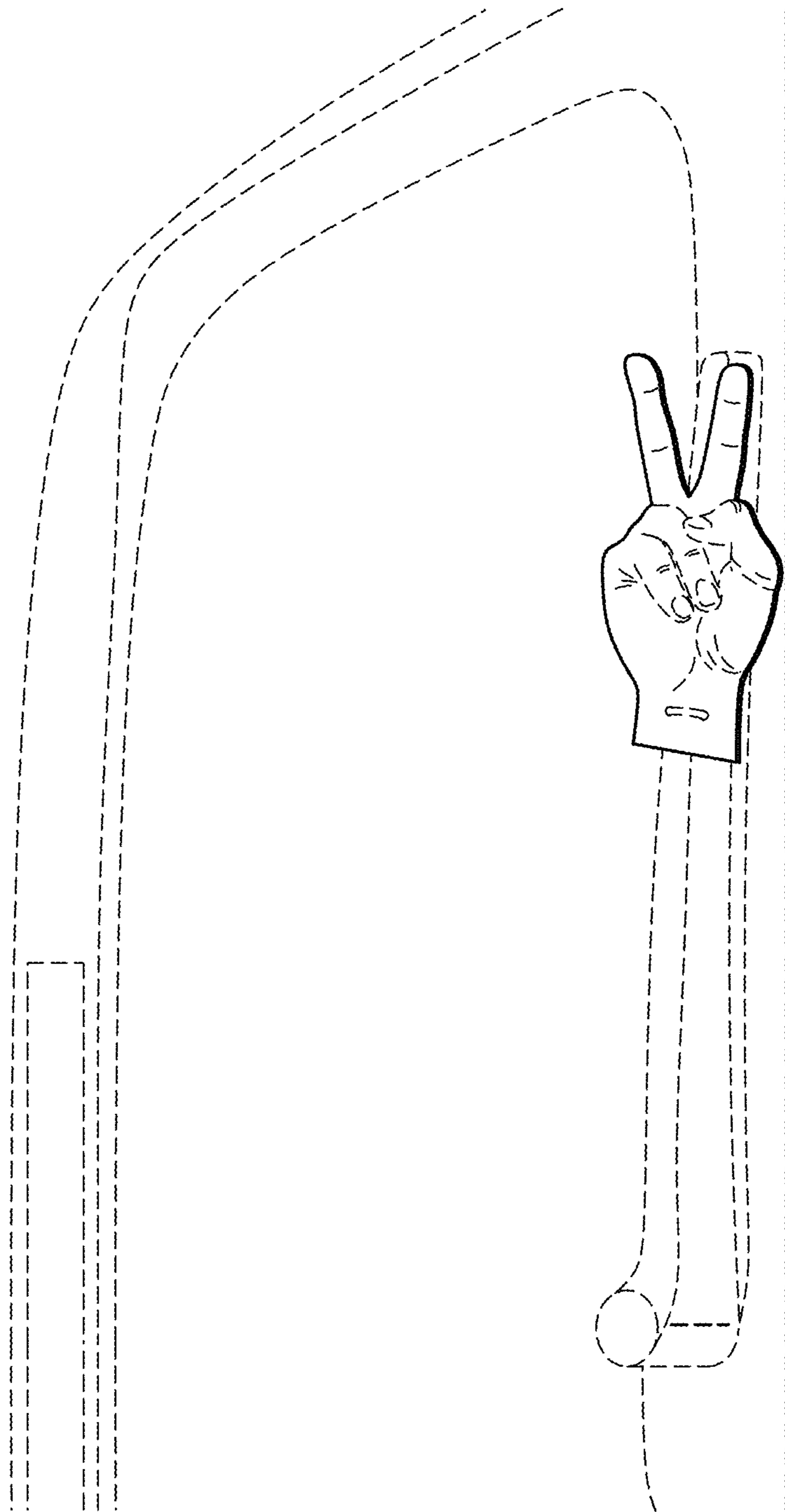


FIG. 5

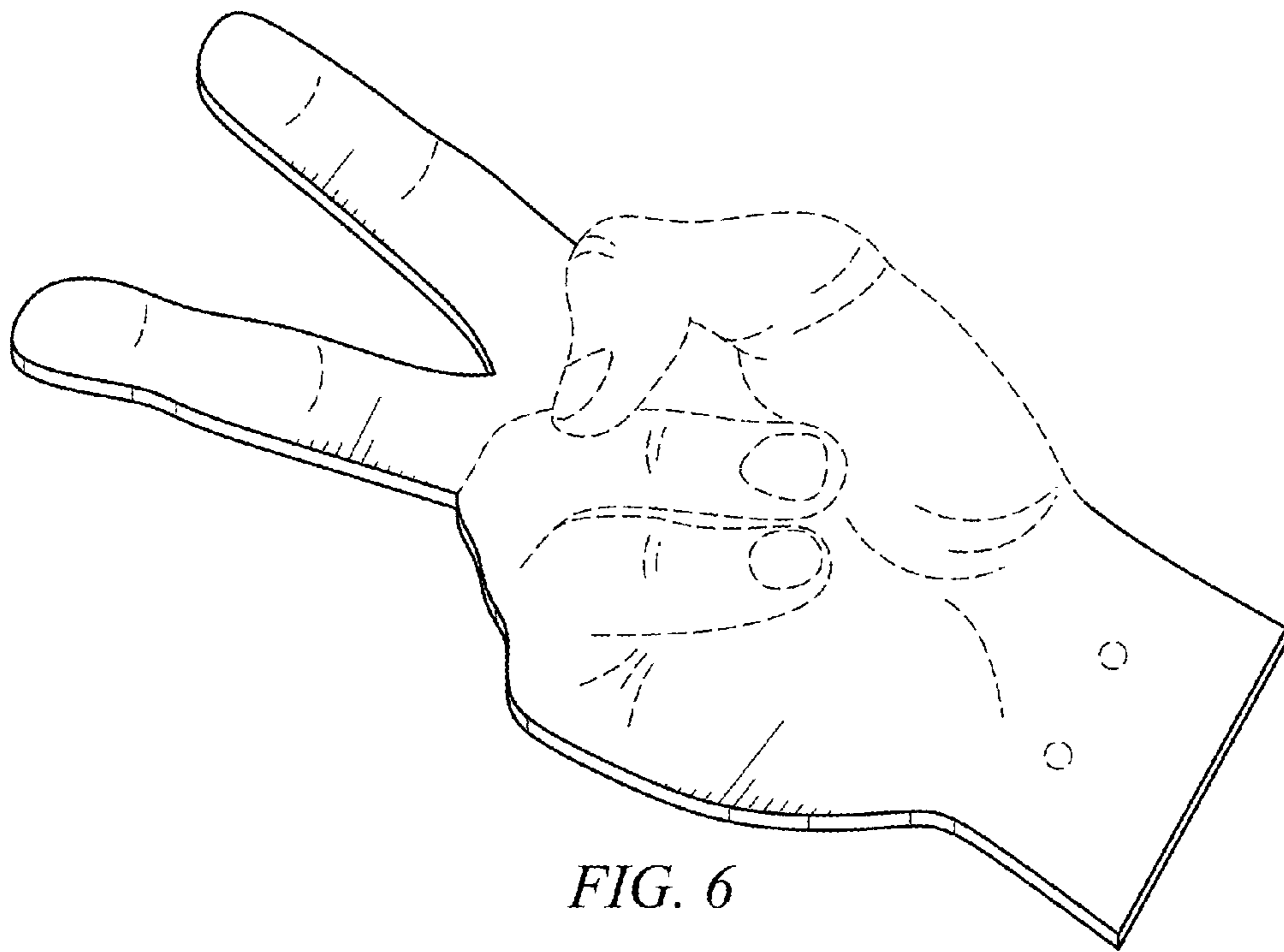


FIG. 6

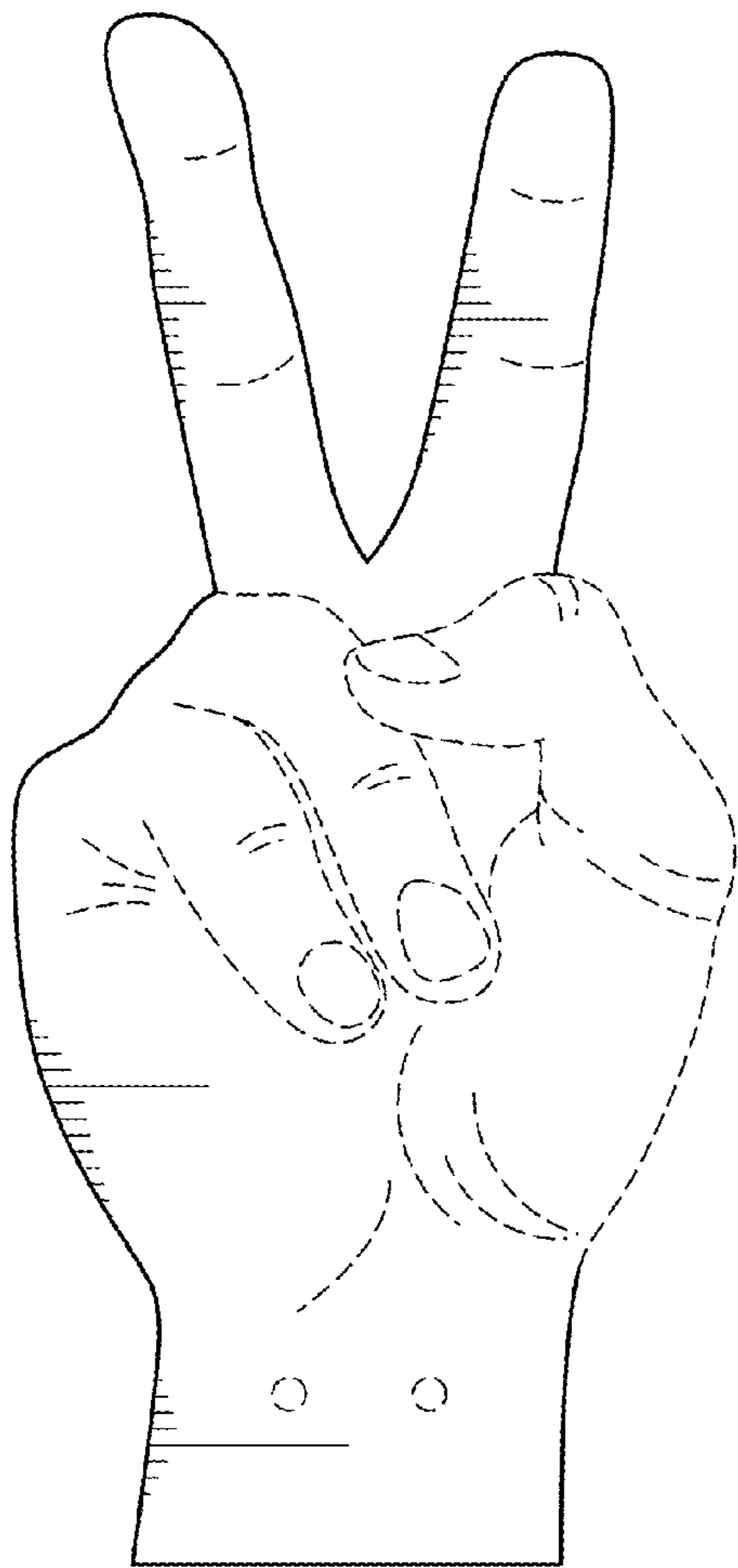


FIG. 7

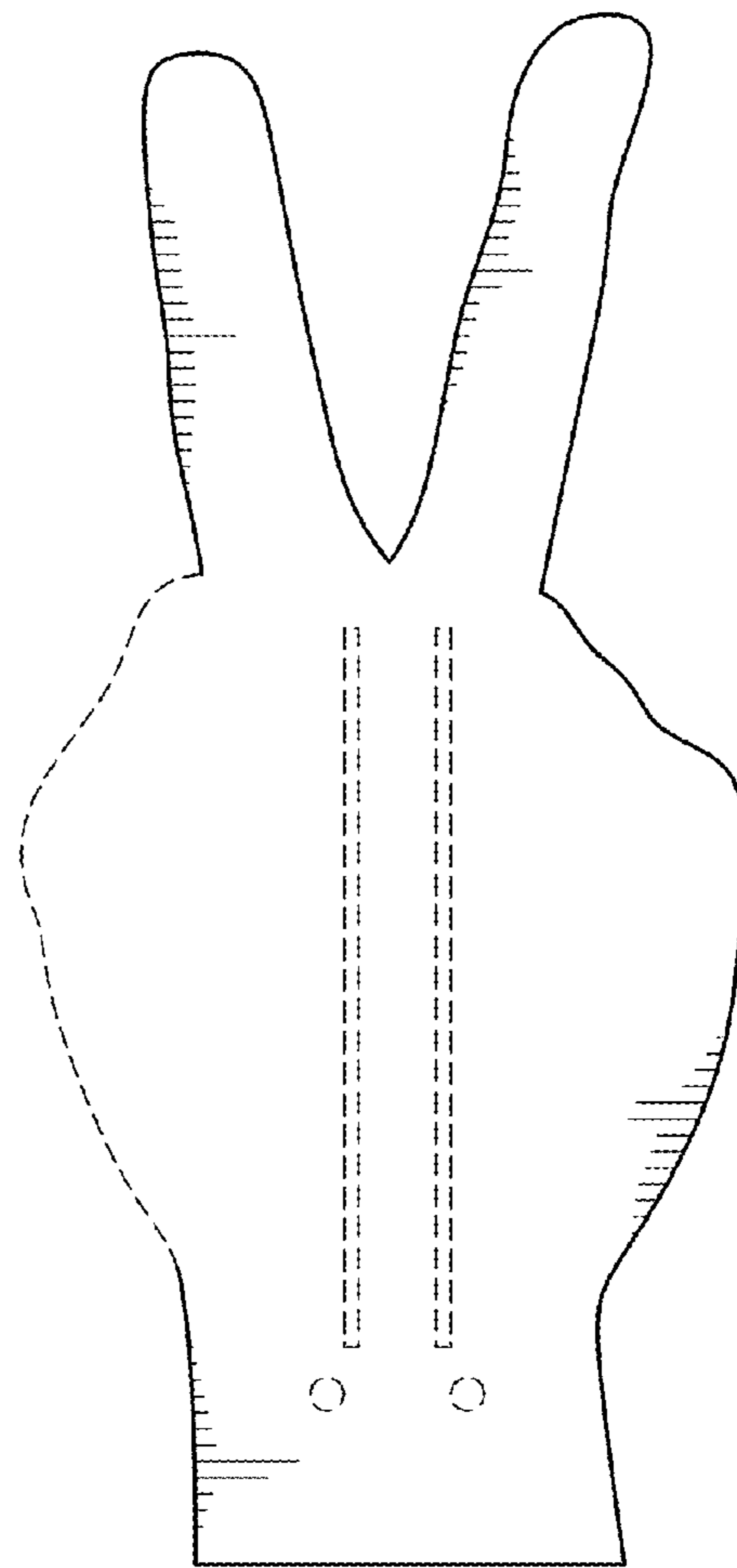


FIG. 8

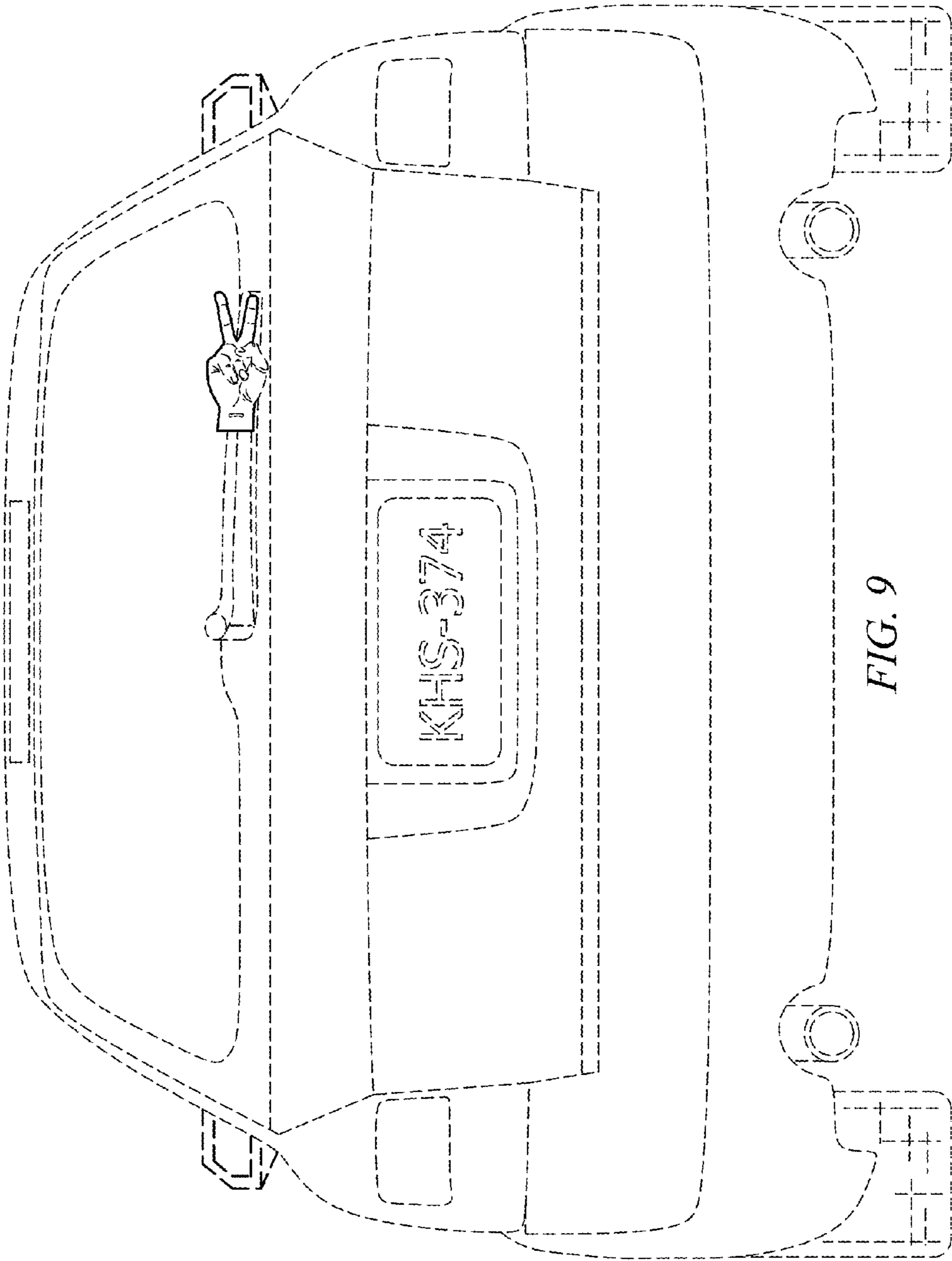


FIG. 9

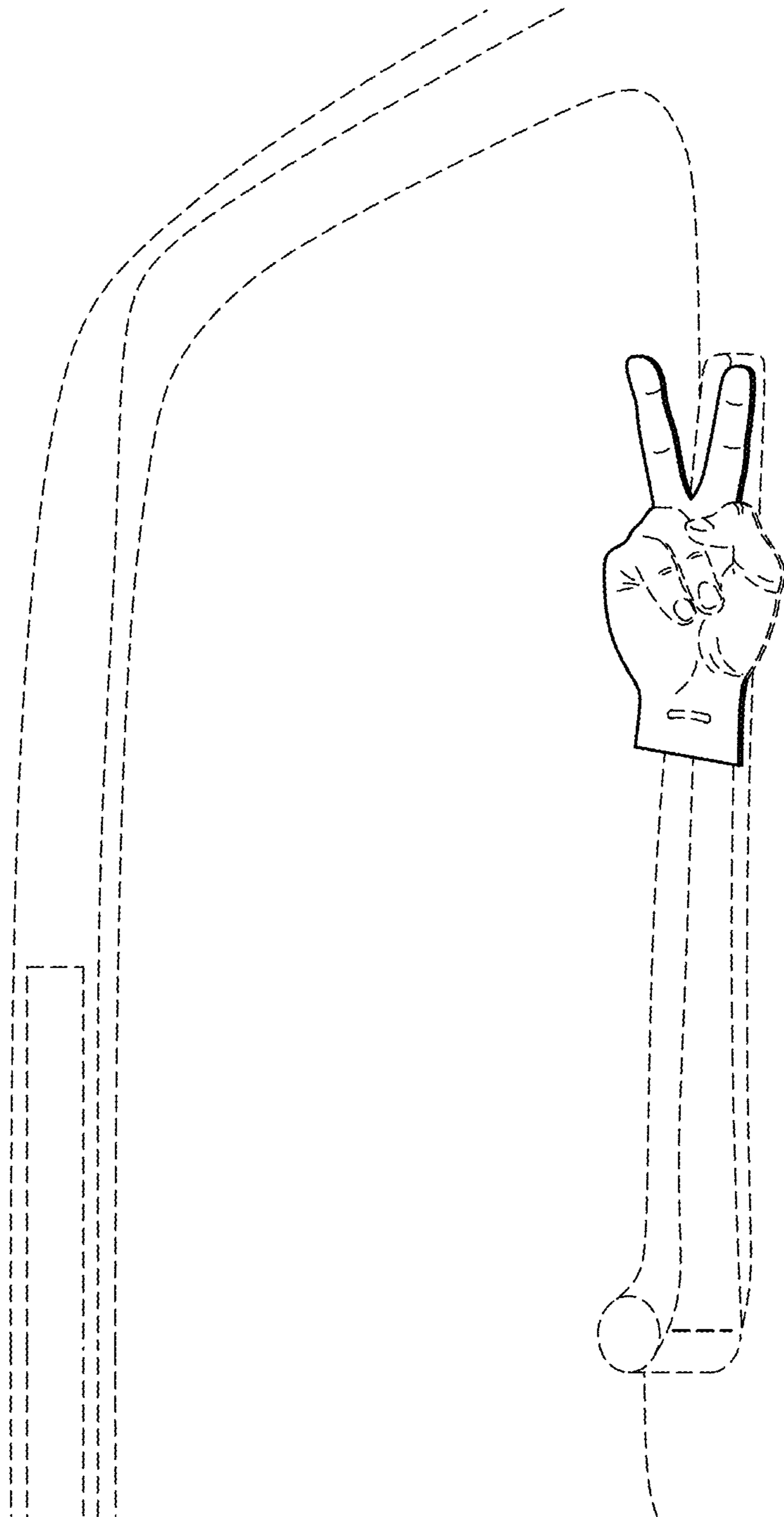


FIG. 10

UNITED STATES PATENT AND TRADEMARK OFFICE
CERTIFICATE OF CORRECTION

PATENT NO. : D707,612 S
APPLICATION NO. : 29/467860
DATED : June 24, 2014
INVENTOR(S) : Paul R. Sanberg et al.

Page 1 of 1

It is certified that error appears in the above-identified patent and that said Letters Patent is hereby corrected as shown below:

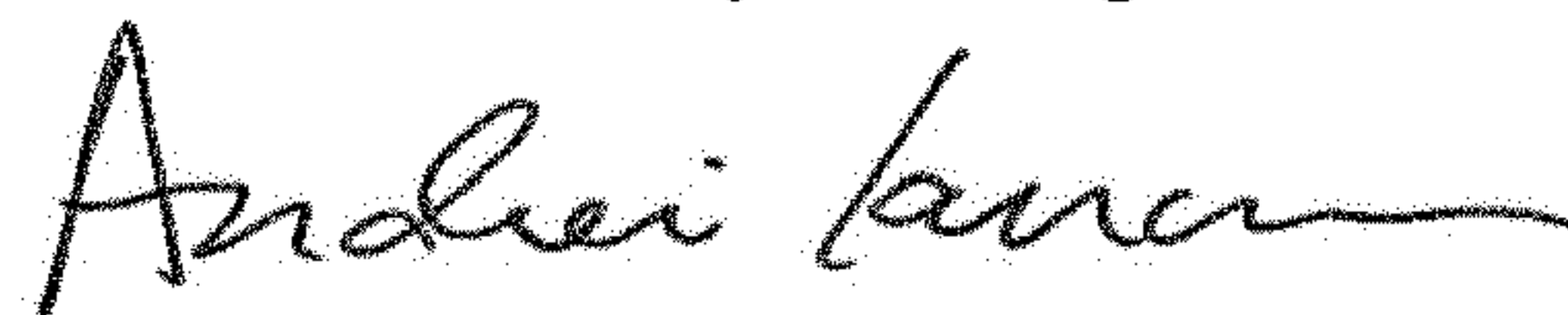
On the Title Page

Item (71) Applicants and Item (72) Inventors should read:

(71) Applicants: Paul R. Sanberg, Spring Hill, FL (US); Cyndy D. Sanberg, Spring Hill, FL (US)

(72) Inventors: Paul R. Sanberg, Spring Hill, FL (US); Cyndy D. Sanberg, Spring Hill, FL (US)

Signed and Sealed this
Fourteenth Day of August, 2018



Andrei Iancu
Director of the United States Patent and Trademark Office