



US00D707598S

(12) **United States Design Patent**
Shu

(10) **Patent No.:** **US D707,598 S**
(45) **Date of Patent:** **** Jun. 24, 2014**

(54) **RETAINER END PIECE FOR AN
EXTENDIBLE AUTOMOBILE SHADE**

(76) Inventor: **Randi Shu**, Harrison, NJ (US)

(**) Term: **14 Years**

(21) Appl. No.: **29/412,372**

(22) Filed: **Feb. 2, 2012**

(51) **LOC (10) Cl.** **12-08**

(52) **U.S. Cl.**
USPC **D12/183**

(58) **Field of Classification Search**
USPC D12/183, 400-401, 191, 182, 417, 181;
150/166, 168; 160/DIG. 2, DIG. 3,
160/370.21-370.23; 224/312; 296/84.1, 89,
296/96, 97.1, 97.5-97.11, 146.1, 187.01,
296/190.01; 49/502-504; 428/12

See application file for complete search history.

(56) **References Cited**

U.S. PATENT DOCUMENTS

4,926,295 A * 5/1990 Tamuraya 362/492
D311,716 S * 10/1990 Widrig D12/191
D371,532 S * 7/1996 Raevsky et al. D12/191

* cited by examiner

Primary Examiner — Katrina A Betton

(74) *Attorney, Agent, or Firm* — Dilworth & Barrese, LLP

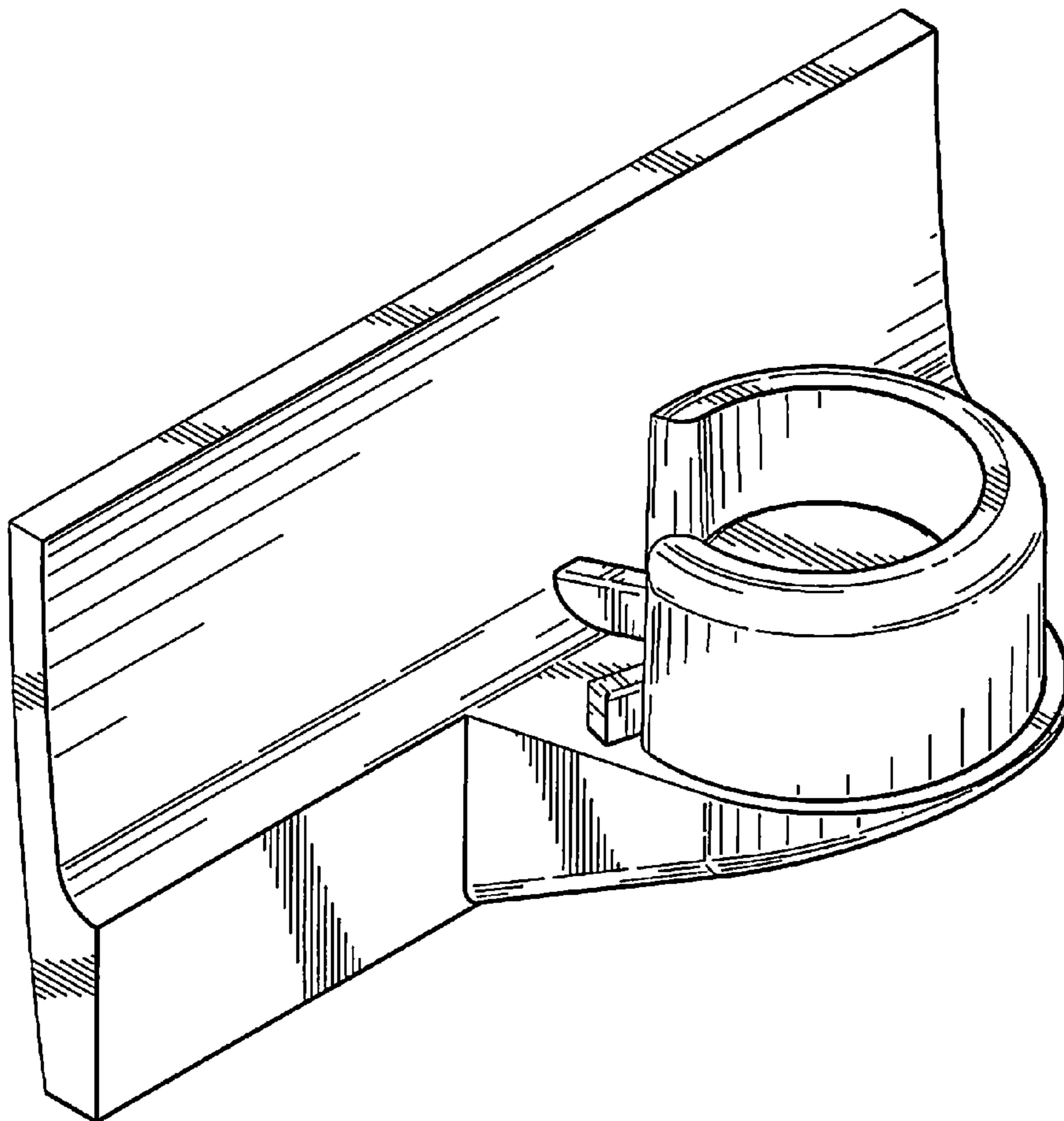
(57) **CLAIM**

The ornamental design for a retainer end piece for an extendible automobile shade, is shown as described.

DESCRIPTION

FIG. 1 is an isometric view of the invention showing the new design of the retainer end piece;
FIG. 2 is a front view of the retainer end piece of FIG. 1;
FIG. 3 is a right side view of the retainer end piece of FIG. 1;
FIG. 4 is a rear view of the retainer end piece of FIG. 1;
FIG. 5 is a left side view of the retainer end piece of FIG. 1;
FIG. 6 is a top view of the retainer end piece of FIG. 1; and,
FIG. 7 is a bottom view of the retainer end piece of FIG. 1.

1 Claim, 3 Drawing Sheets



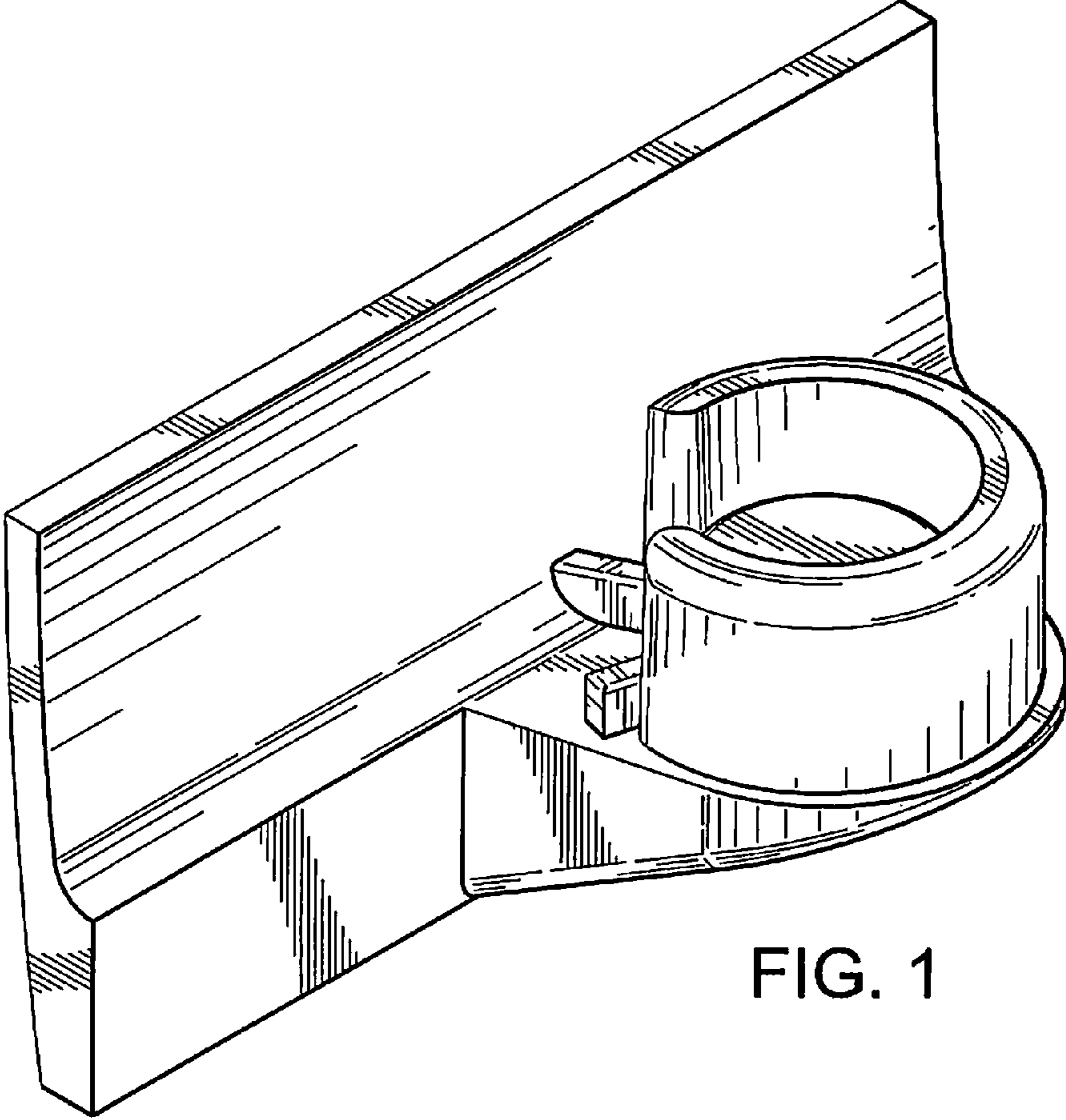


FIG. 1

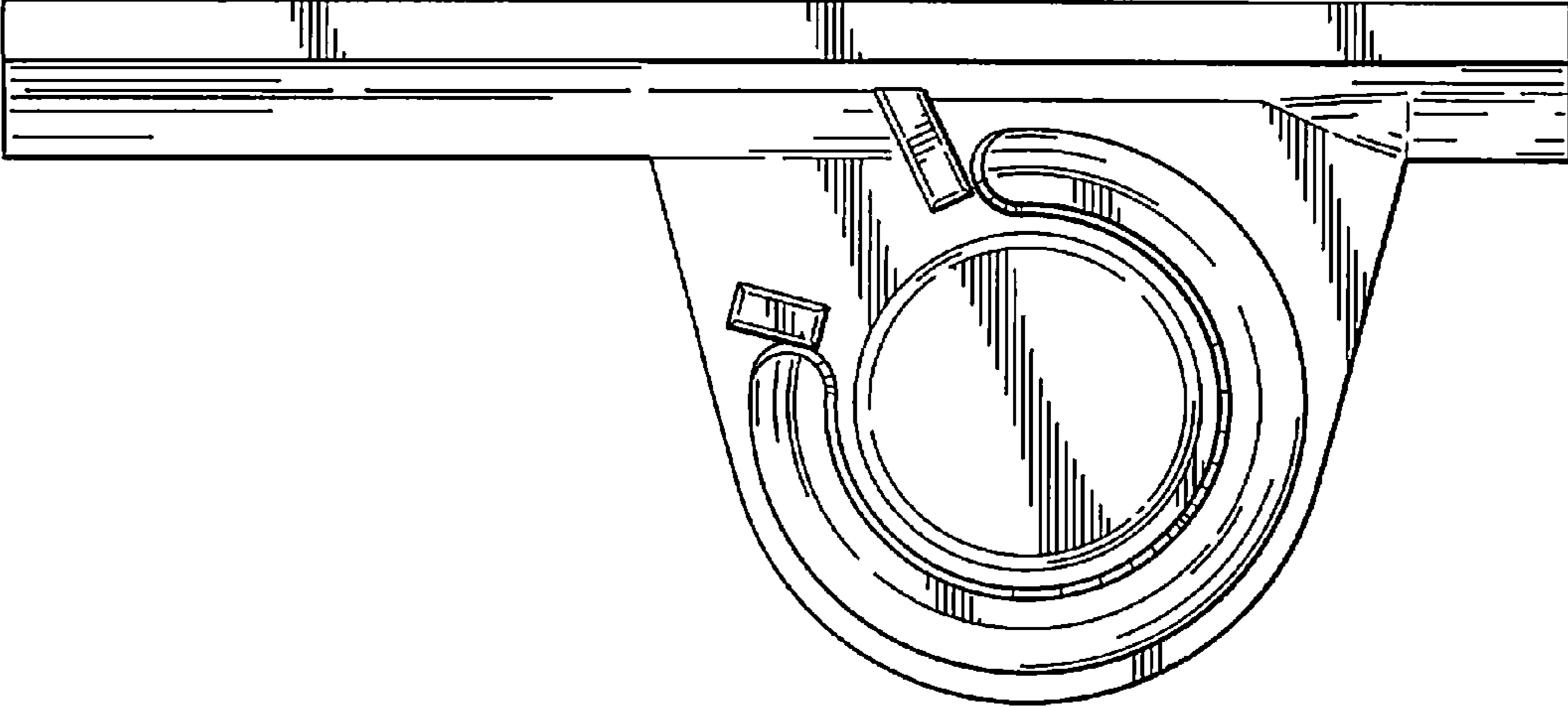


FIG. 6

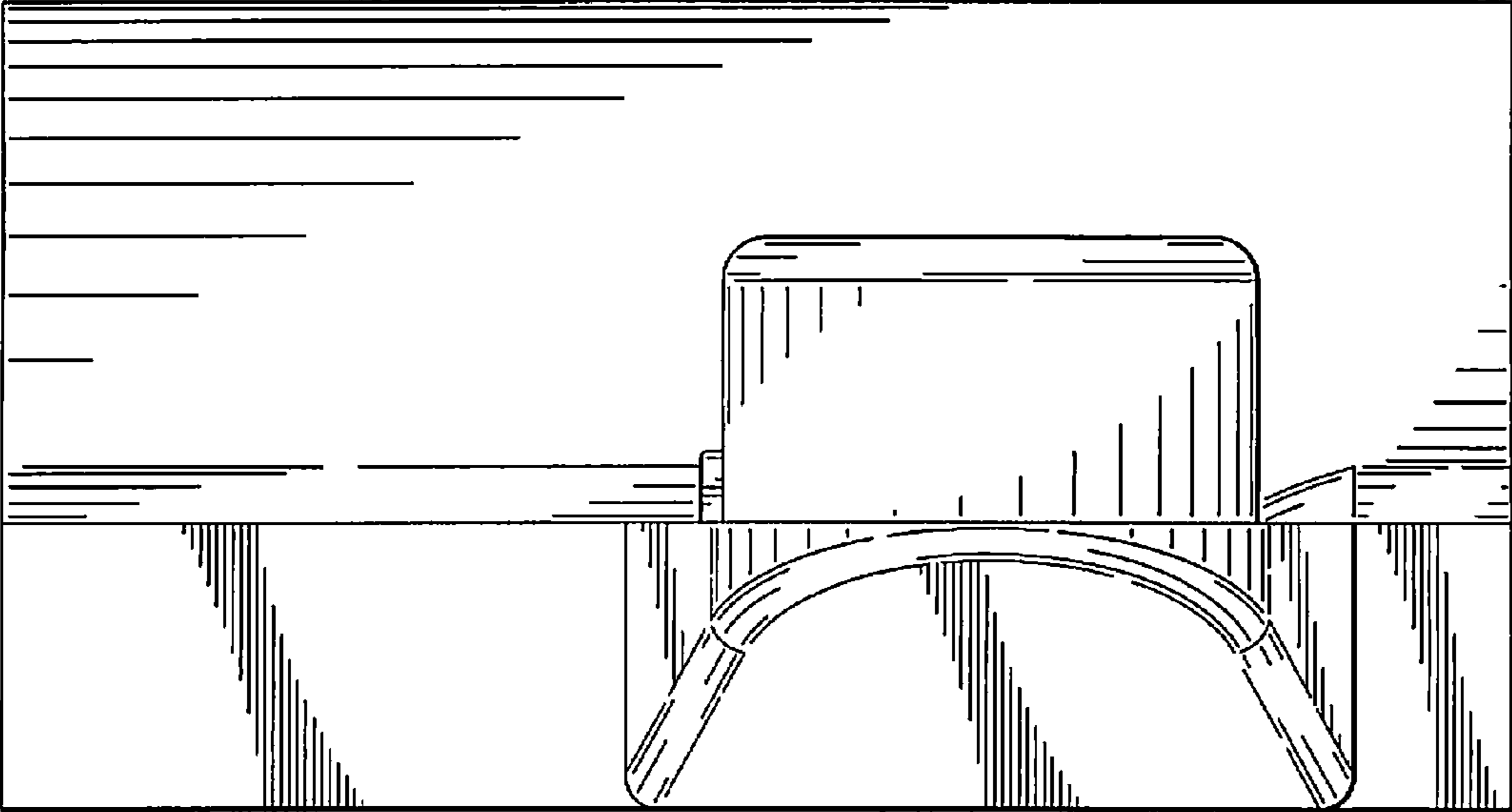


FIG. 2

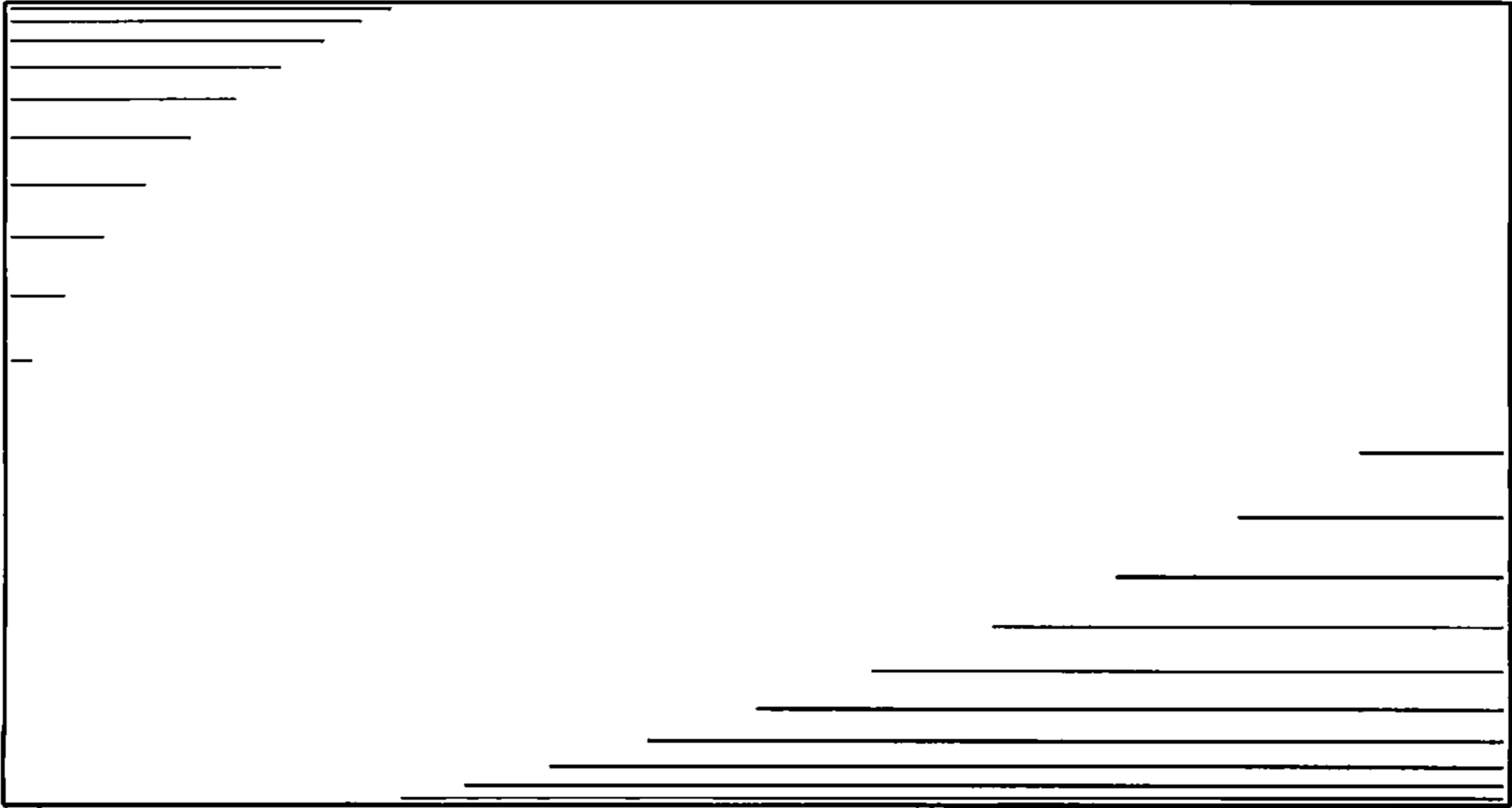


FIG. 4

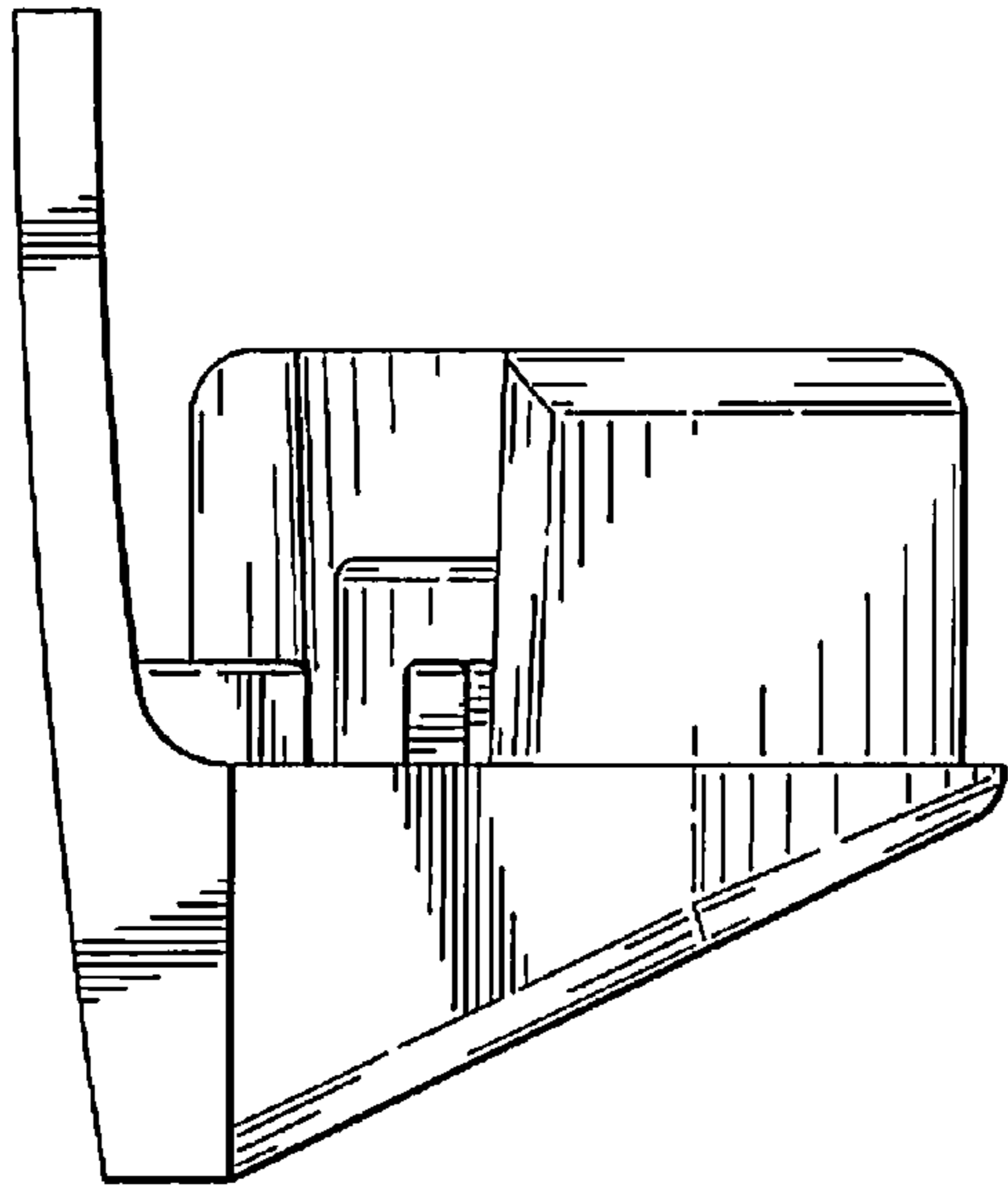


FIG. 5

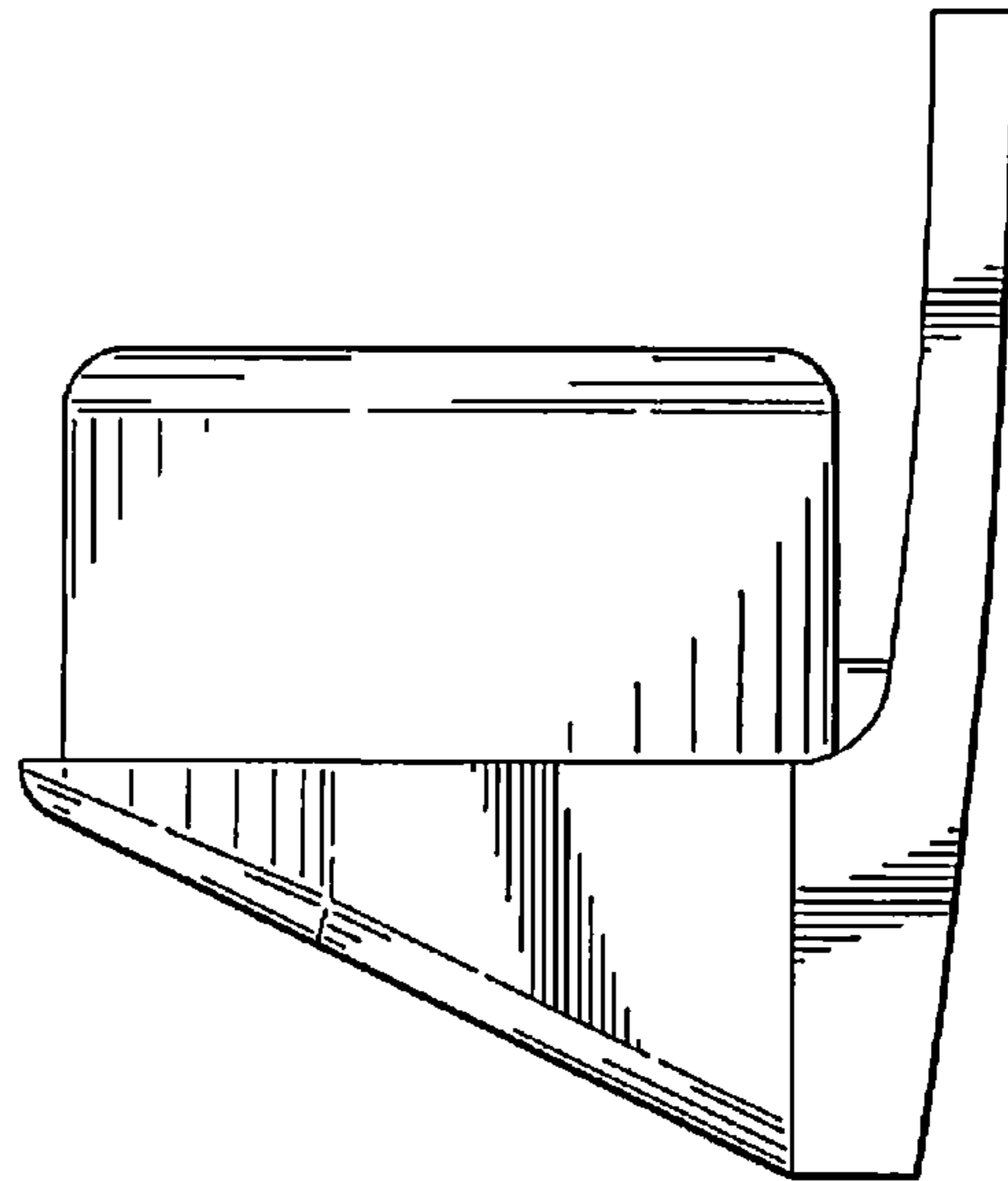


FIG. 3

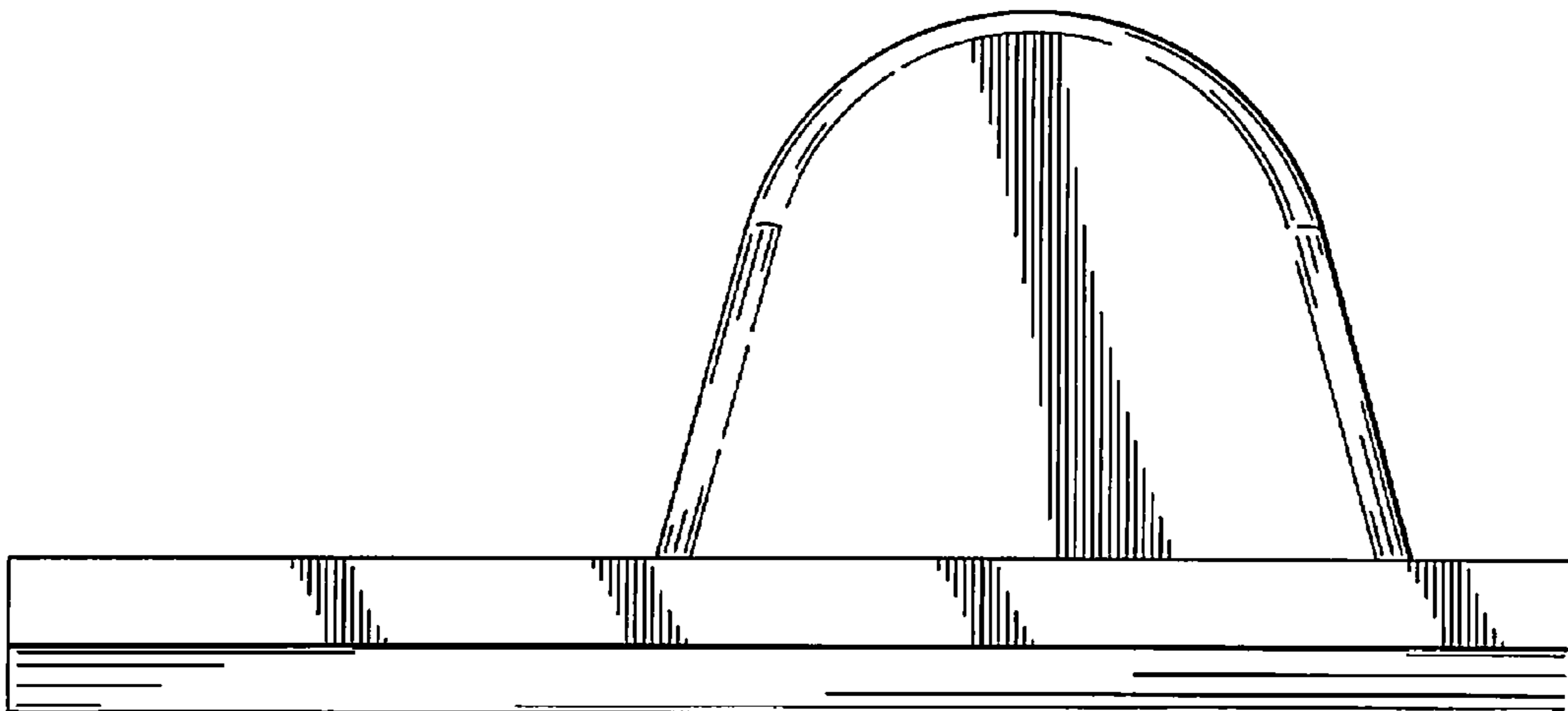


FIG. 7