



US00D707594S

(12) **United States Design Patent**
Matsumoto et al.

(10) **Patent No.:** **US D707,594 S**
(45) **Date of Patent:** **** *Jun. 24, 2014**

(54) **AUTOMOBILE AND/OR TOY REPLICA THEREOF**

(71) Applicants: **Kengo Matsumoto**, Nagoya (JP); **Shinichi Hiranaka**, Miyoshi (JP); **Shin Miyata**, Nissin (JP); **Satoru Sugimoto**, Toyota (JP)

(72) Inventors: **Kengo Matsumoto**, Nagoya (JP); **Shinichi Hiranaka**, Miyoshi (JP); **Shin Miyata**, Nissin (JP); **Satoru Sugimoto**, Toyota (JP)

(73) Assignee: **Toyota Jidosha Kabushiki Kaisha** (JP)

(*) Notice: This patent is subject to a terminal disclaimer.

(**) Term: **14 Years**

(21) Appl. No.: **29/465,899**

(22) Filed: **Sep. 3, 2013**

Related U.S. Application Data

(62) Division of application No. 29/431,238, filed on Sep. 5, 2012, which is a division of application No. 29/388,890, filed on Apr. 4, 2011, now Pat. No. Des. 669,406.

(30) **Foreign Application Priority Data**

Jan. 7, 2011 (JP) 2011-000242
Jan. 7, 2011 (JP) 2011-000243
Jan. 7, 2011 (JP) 2011-000244
Jan. 7, 2011 (JP) 2011-000245
Jan. 7, 2011 (JP) 2011-000246

(51) **LOC (10) Cl.** **12-16**

(52) **U.S. Cl.**
USPC **D12/169**

(58) **Field of Classification Search**
USPC D12/163, 196, 171, 169, 216, 90-92, D12/86; 180/68.1, 68.6; 296/193.11
See application file for complete search history.

(56) **References Cited**

U.S. PATENT DOCUMENTS

D501,435 S 2/2005 Hosoda et al.
D536,284 S 2/2007 Nakamura et al.
D538,716 S 3/2007 Hogios
D539,196 S 3/2007 Pfeiffer
D539,707 S 4/2007 Golden et al.
D578,444 S 10/2008 Kuo
D587,636 S 3/2009 Kanno et al.
D592,560 S 5/2009 Bauer et al.
D596,088 S 7/2009 Camacho et al.

(Continued)

OTHER PUBLICATIONS

2009 Audi A6, www.netcarshow.com, posted by NetCarShow at least as early as 2009.

(Continued)

Primary Examiner — Melody Brown

(74) *Attorney, Agent, or Firm* — SAIDMAN DesignLaw Group

(57) **CLAIM**

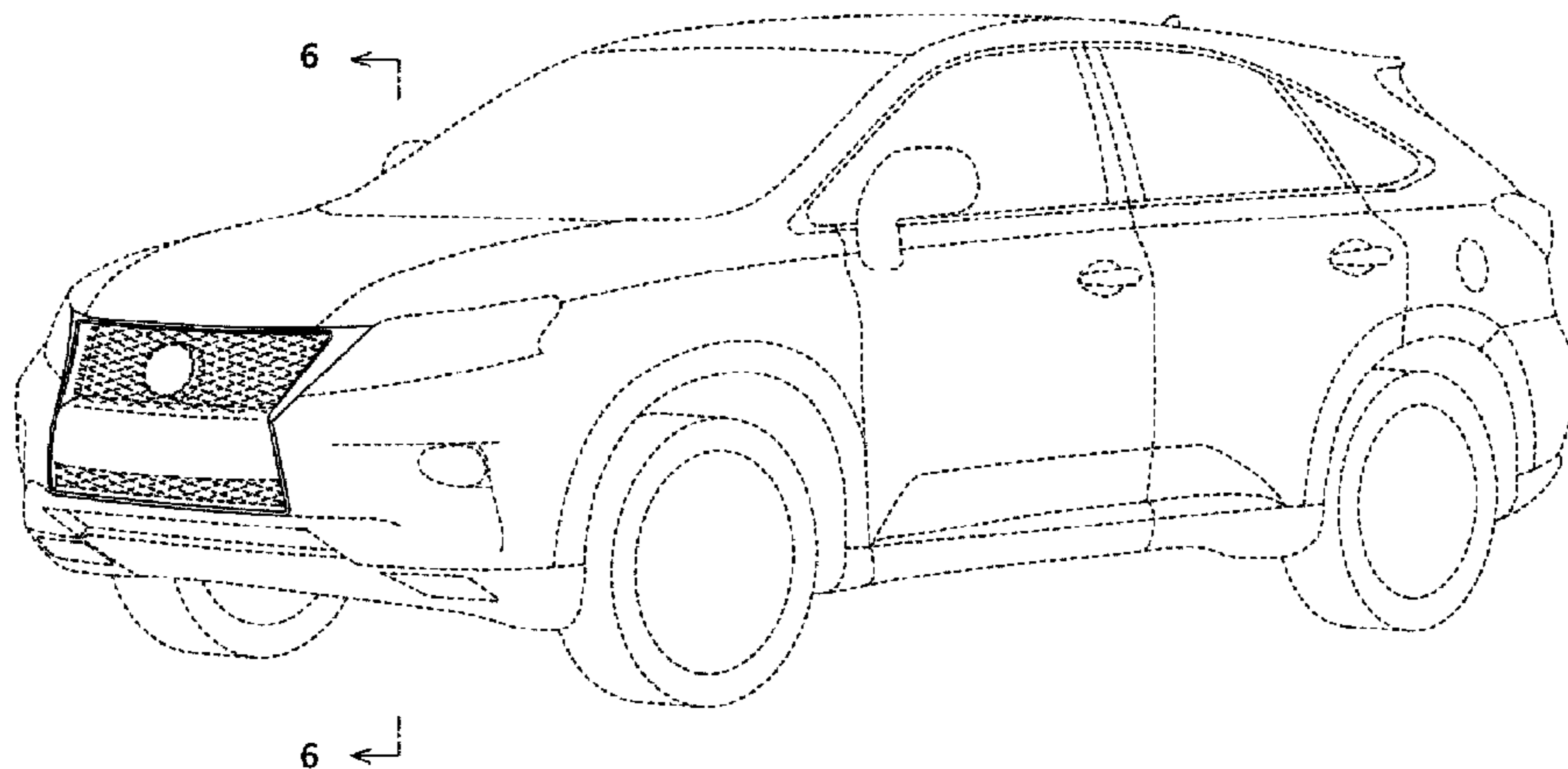
The ornamental design for an automobile and/or toy replica thereof, as shown and described.

DESCRIPTION

FIG. 1 is a perspective view of an automobile and/or toy replica thereof showing our new design; FIG. 2 is a left side view thereof; FIG. 3 is a right side view thereof; FIG. 4 is a top view thereof; FIG. 5 is a front view thereof; FIG. 6 is an enlarged view showing a portion of FIG. 1 defined by line 6-6; and, FIG. 7 is an enlarged view showing a portion of FIG. 5 defined by lines 7-7.

The broken lines illustrate environmental structure and form no part of the claimed design.

1 Claim, 5 Drawing Sheets



(56)

References Cited

U.S. PATENT DOCUMENTS

D605,989 S 12/2009 Leng et al.
D619,514 S 7/2010 Syouji et al.
D620,850 S 8/2010 Sakae et al.
D637,533 S 5/2011 Miyazawa et al.
D640,614 S 6/2011 Kumai et al.
D640,958 S 7/2011 Yokoi et al.

D679,632 S * 4/2013 Iida et al. D12/163
2006/0119115 A1 6/2006 Filip et al.

OTHER PUBLICATIONS

2011 Lexus CT200h, www.netcarshow.com, publicly known at least
as early as Mar. 2010.

* cited by examiner

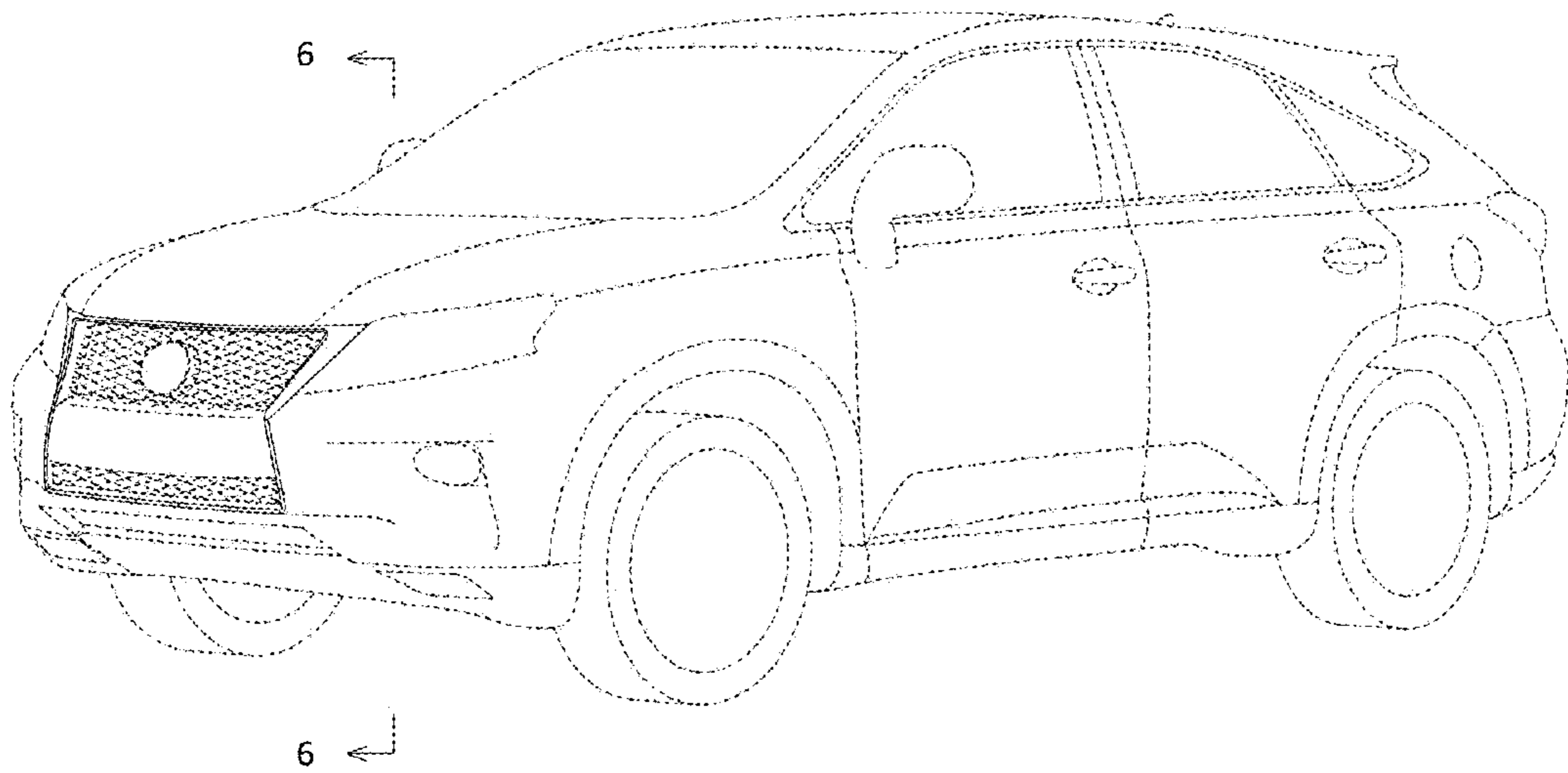


FIG. 1

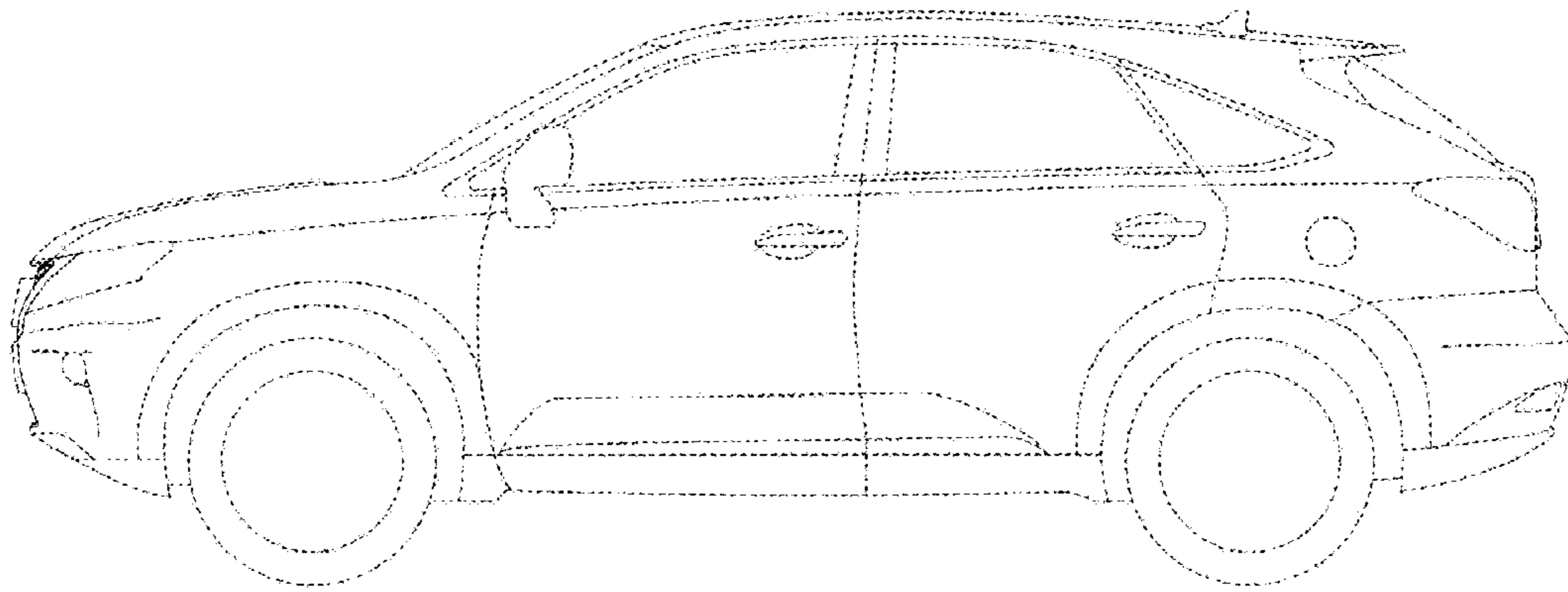


FIG. 2

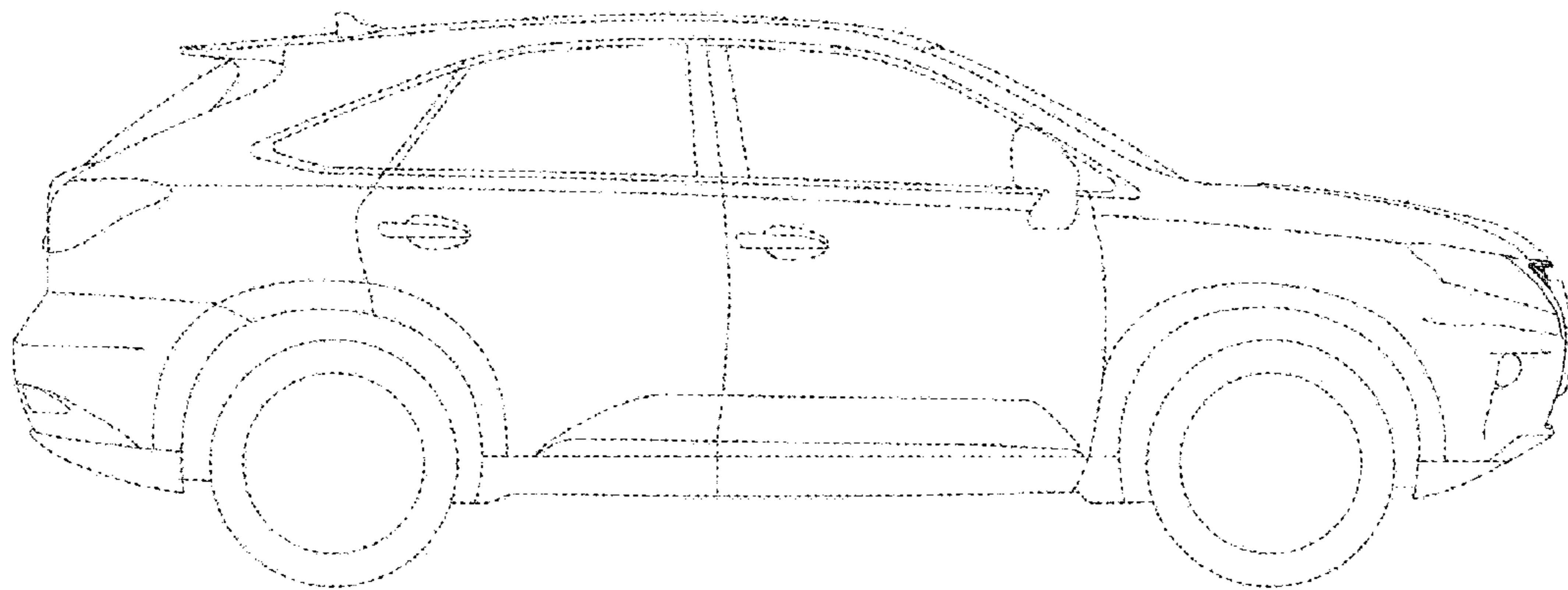


FIG. 3

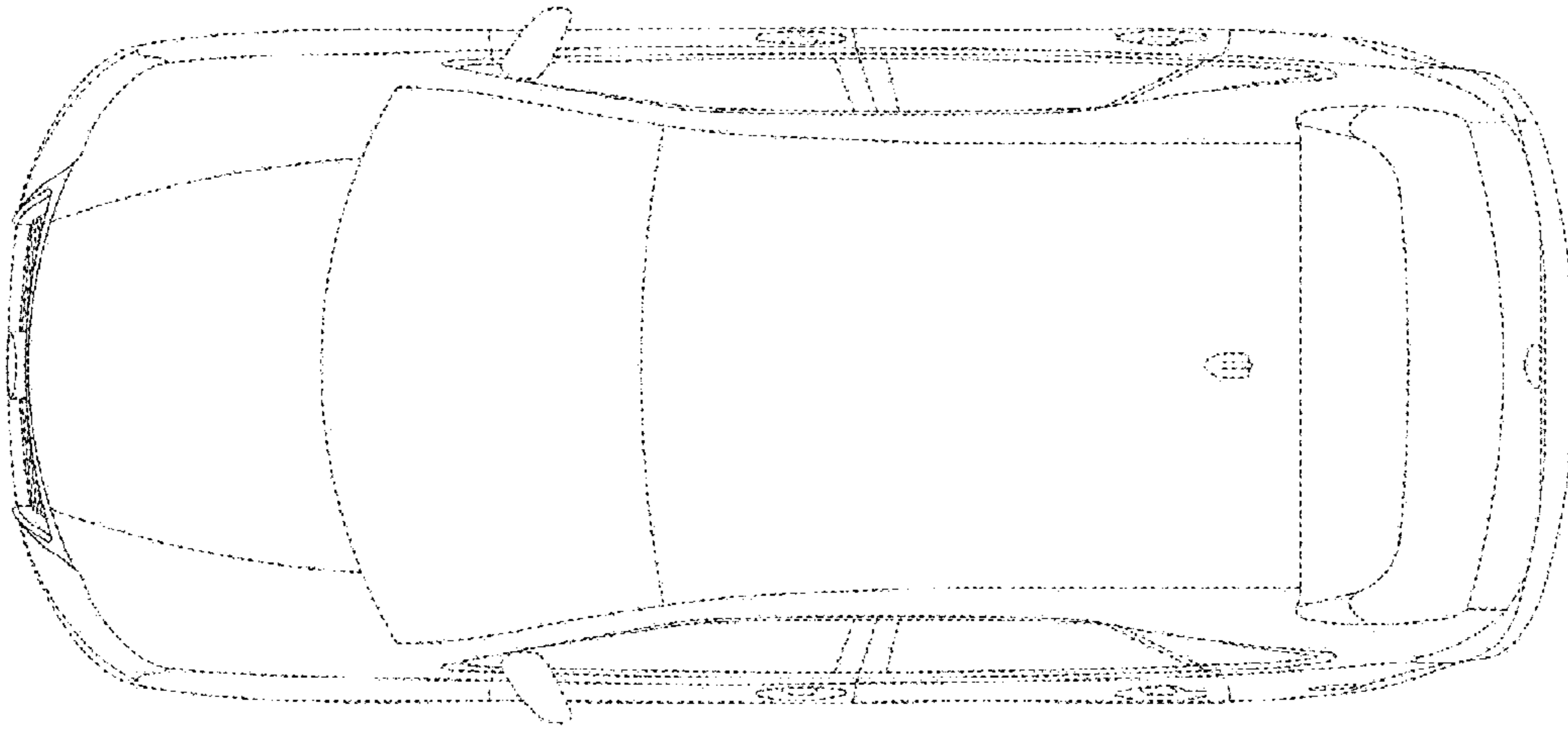


FIG. 4

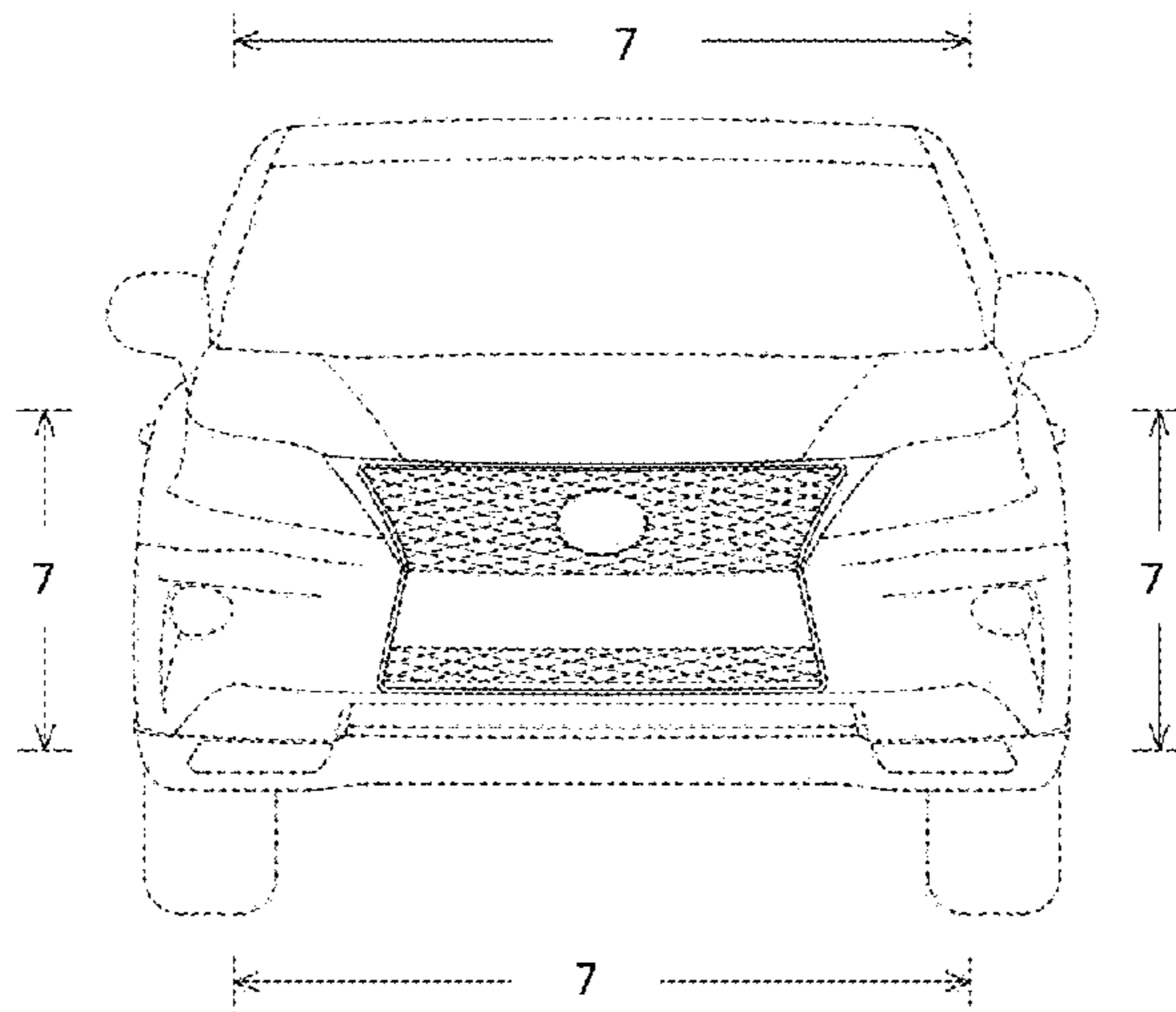


FIG. 5

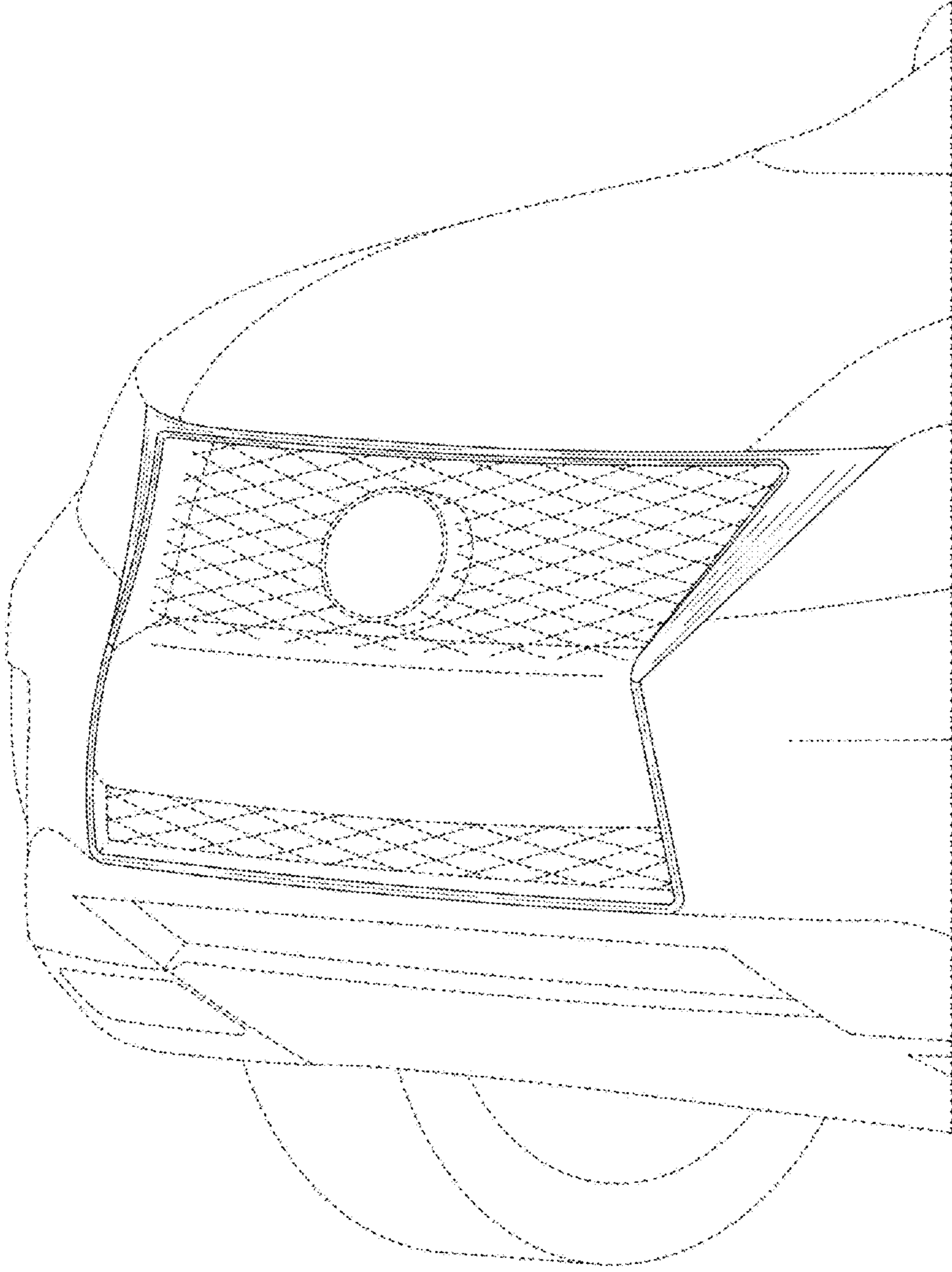


FIG. 6

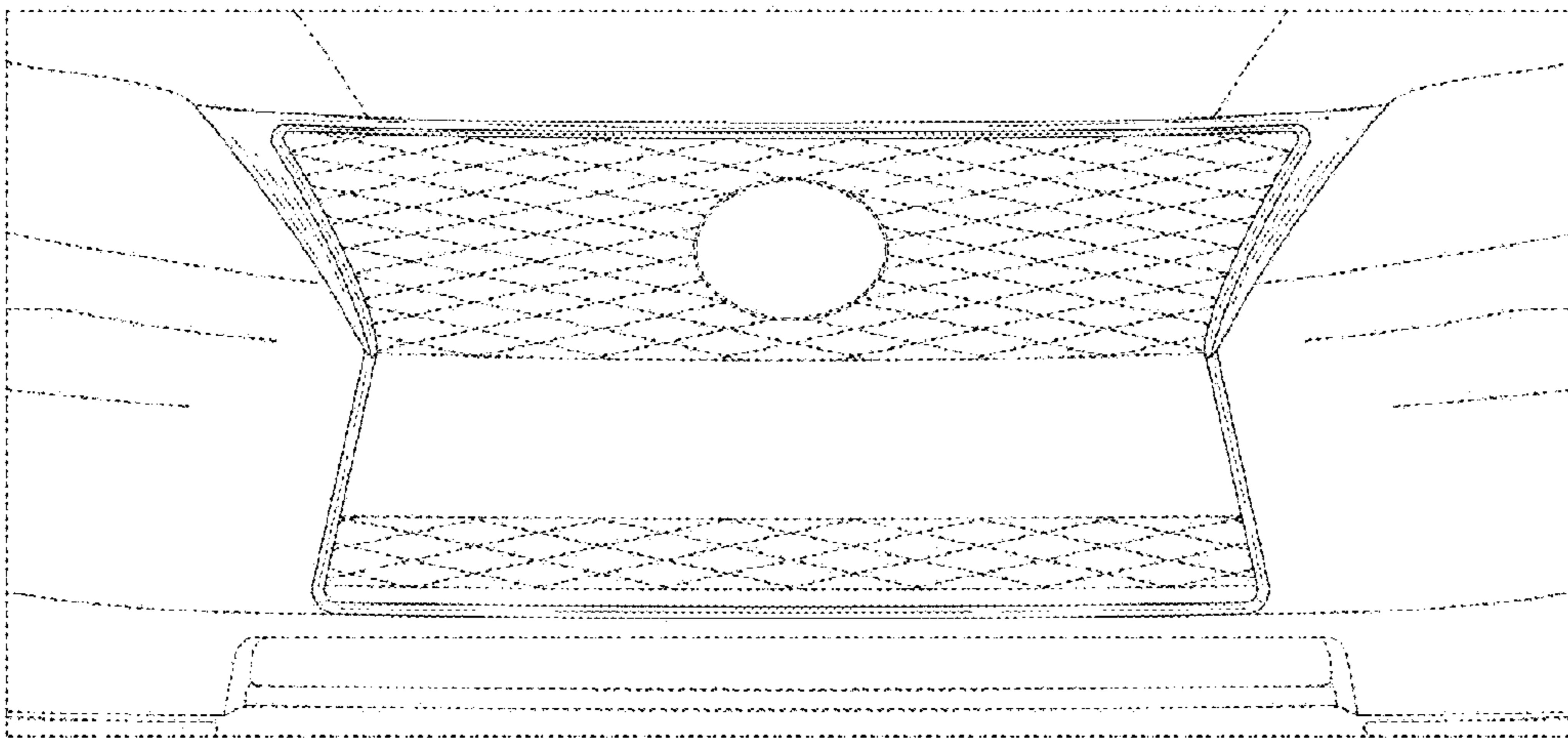


FIG. 7