



US00D707593S

(12) **United States Design Patent**
Schmidt

(10) **Patent No.:** **US D707,593 S**
(45) **Date of Patent:** **** Jun. 24, 2014**

(54) **HITCH ALIGNMENT DEVICE**

(71) Applicant: **Robert A Schmidt**, Valrico, FL (US)

(72) Inventor: **Robert A Schmidt**, Valrico, FL (US)

(**) Term: **14 Years**

(21) Appl. No.: **29/463,140**

(22) Filed: **Aug. 13, 2013**

(51) **LOC (10) Cl.** **12-16**

(52) **U.S. Cl.**
USPC **D12/162**

(58) **Field of Classification Search**
USPC D12/162, 159, 161, 160; 56/DIG. 14;
37/399; 280/406.2, 407, 407.1, 408,
280/411.1, 416.1, 416.2, 416.3, 418, 418.1,
280/433, 434, 435, 441.1, 441.2, 455.1,
280/456.1, 480, 493, 504, 507, 508;
224/42.11, 42.12, 42.14, 42.26, 400,
224/401, 412, 413, 488, 494, 500-501, 519,
224/537; 135/88.05; 150/166

See application file for complete search history.

(56) **References Cited**

U.S. PATENT DOCUMENTS

D632,635	S	*	2/2011	Farber	D12/408
D632,636	S	*	2/2011	Farber	D12/408
D632,638	S	*	2/2011	Farber	D12/408
7,963,545	B2	*	6/2011	Coy	280/511
7,976,054	B1	*	7/2011	Phipps	280/511
2010/0059093	A1	*	3/2010	Clark et al.	135/16
2010/0133785	A1	*	6/2010	McCoy	280/490.1

* cited by examiner

Primary Examiner — Katrina A Betton

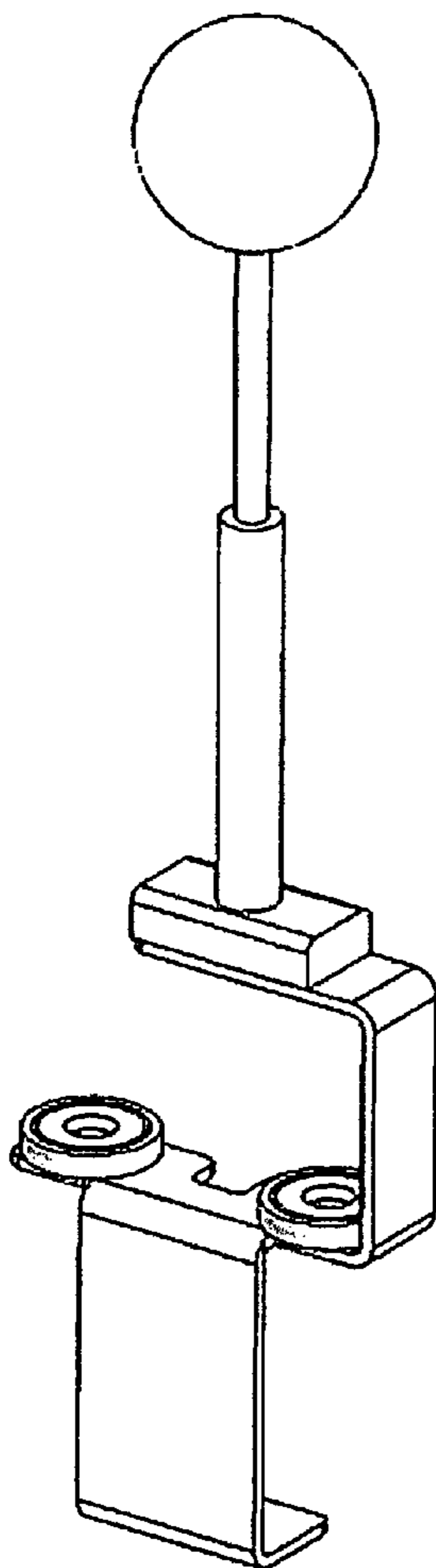
(57) **CLAIM**

The ornamental design for a hitch alignment device, as shown and described.

DESCRIPTION

FIG. 1 is an isometric view of a hitch alignment device showing my new design with the magnetic ball mast in place; and, FIG. 2 is an enlarged isometric view with the magnetic ball mast in the stowable position thereof.

1 Claim, 1 Drawing Sheet



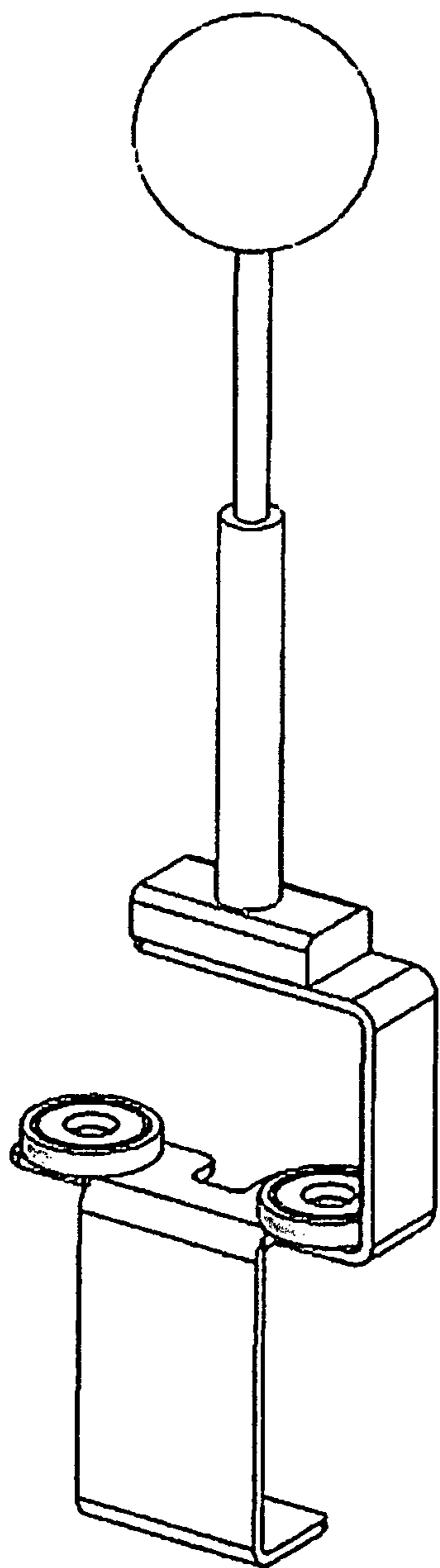


Fig. 1

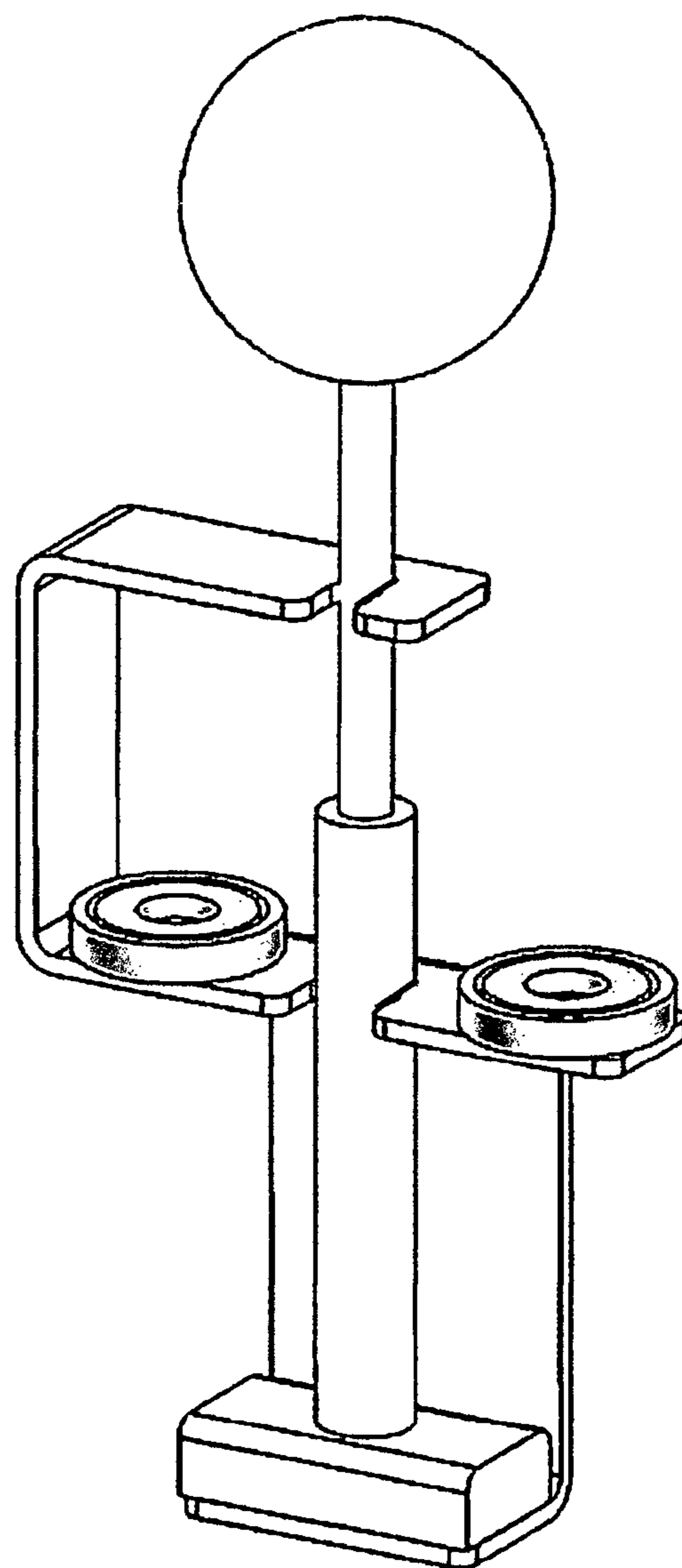


Fig. 2