



US00D707591S

(12) **United States Design Patent**
Sands

(10) **Patent No.:** **US D707,591 S**

(45) **Date of Patent:** **** Jun. 24, 2014**

(54) **TRAILER**

(71) Applicant: **Adak Adventure Trailers, LLC**, St. Augustine, FL (US)

(72) Inventor: **Warren Sands**, St. Augustine, FL (US)

(73) Assignee: **Adak Adventure Trailers, LLC**, St. Augustine, FL (US)

(**) Term: **14 Years**

(21) Appl. No.: **29/471,324**

(22) Filed: **Oct. 30, 2013**

(51) **LOC (10) Cl.** **12-10**

(52) **U.S. Cl.**
USPC **D12/103**

(58) **Field of Classification Search**
USPC D12/106, 19, 129, 100–105, 111–112;
D21/425, 435; D34/21–26, 12, 16–19;
280/204, 205, 63, 475, 482, 647;
296/168, 180, 180.02, 61, 10,
296/100.01–100.08

See application file for complete search history.

(56) **References Cited**

U.S. PATENT DOCUMENTS

7,967,369 B2 * 6/2011 Davidson 296/173
8,141,927 B2 * 3/2012 Kreil 296/26.01
8,550,100 B1 * 10/2013 Lindholm 135/96

8,622,459 B2 * 1/2014 Raber et al. 296/162
2006/0006693 A1 * 1/2006 Anderson et al. 296/162
2006/0066071 A1 * 3/2006 Fisher et al. 280/165
2007/0187989 A1 * 8/2007 Brown et al. 296/162

* cited by examiner

Primary Examiner — Katrina A Betton

(74) *Attorney, Agent, or Firm* — Oblon, Spivak, McClelland, Maier & Neustadt, L.L.P.

(57) **CLAIM**

The ornamental design for a trailer, as shown and described.

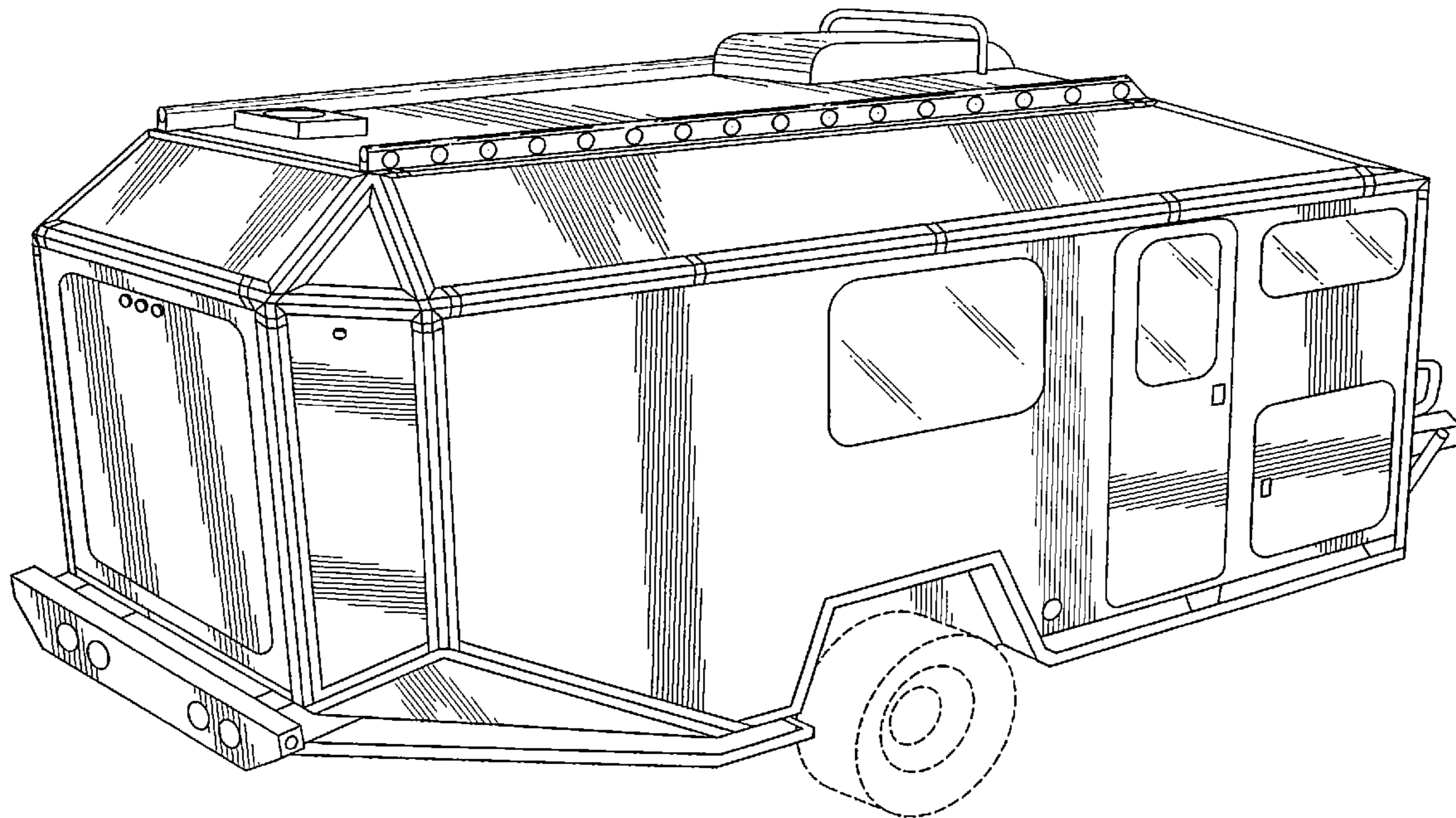
DESCRIPTION

FIG. 1 is a rear, top, and left side perspective view of a trailer; FIG. 2 is a front elevational view thereof; FIG. 3 is a rear elevational view thereof; FIG. 4 is a left side elevational view thereof; FIG. 5 is a right side elevational view thereof; FIG. 6 is a top plan view thereof; and, FIG. 7 is a bottom plan view thereof.

The broken lines in the drawings depict environmental subject matter only and form no part of the claimed design.

Inventive aspects of the current embodiment exist in the trailer as a whole, and/or portions and elements thereof, and in combinations of portions and elements thereof. Applicant reserves the right to amend this application and/or to file one or more divisional applications to specifically claim any such arrangement or any specific embodiment or embodiments.

1 Claim, 7 Drawing Sheets



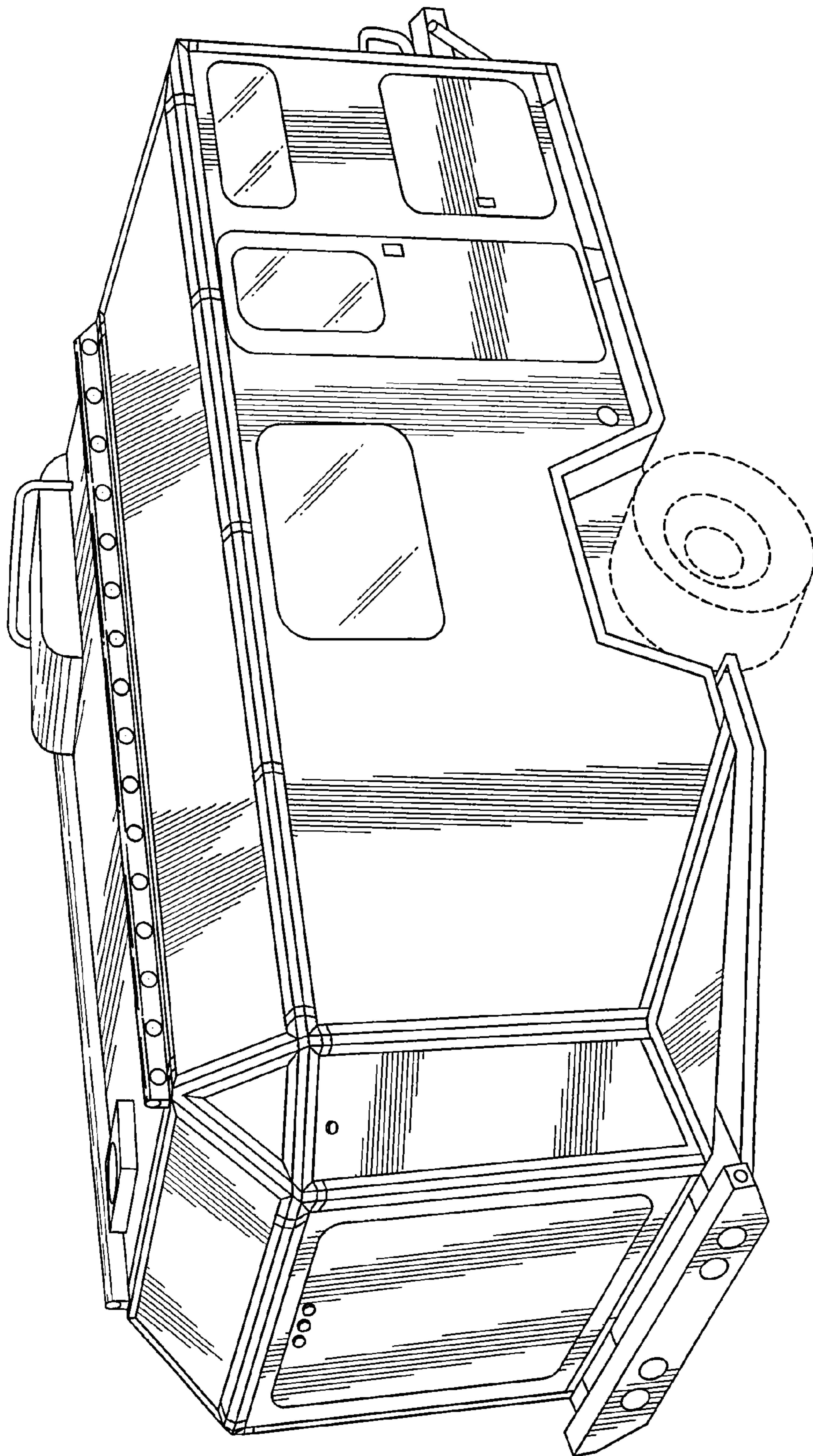


Fig. 1

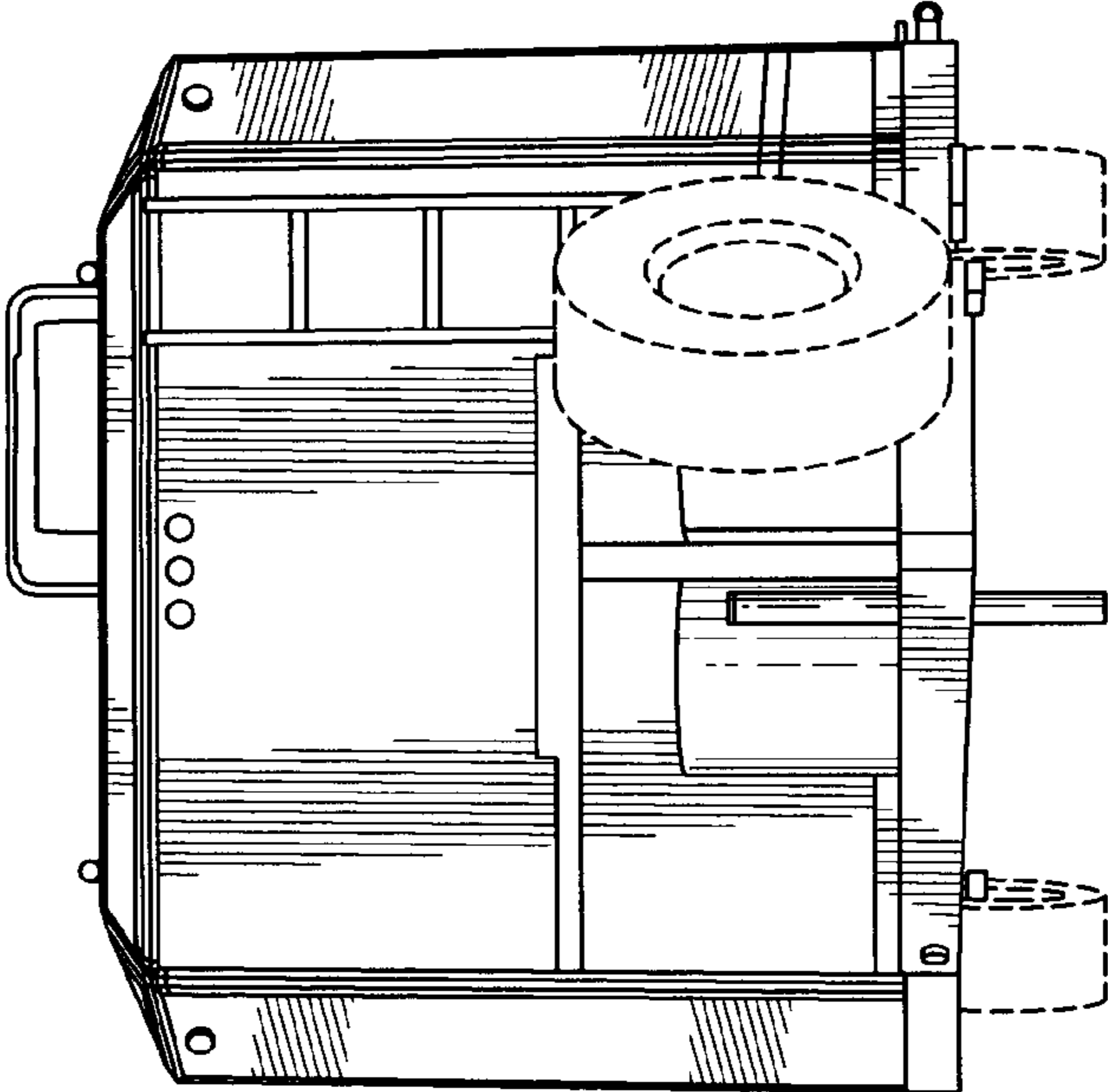


Fig. 2

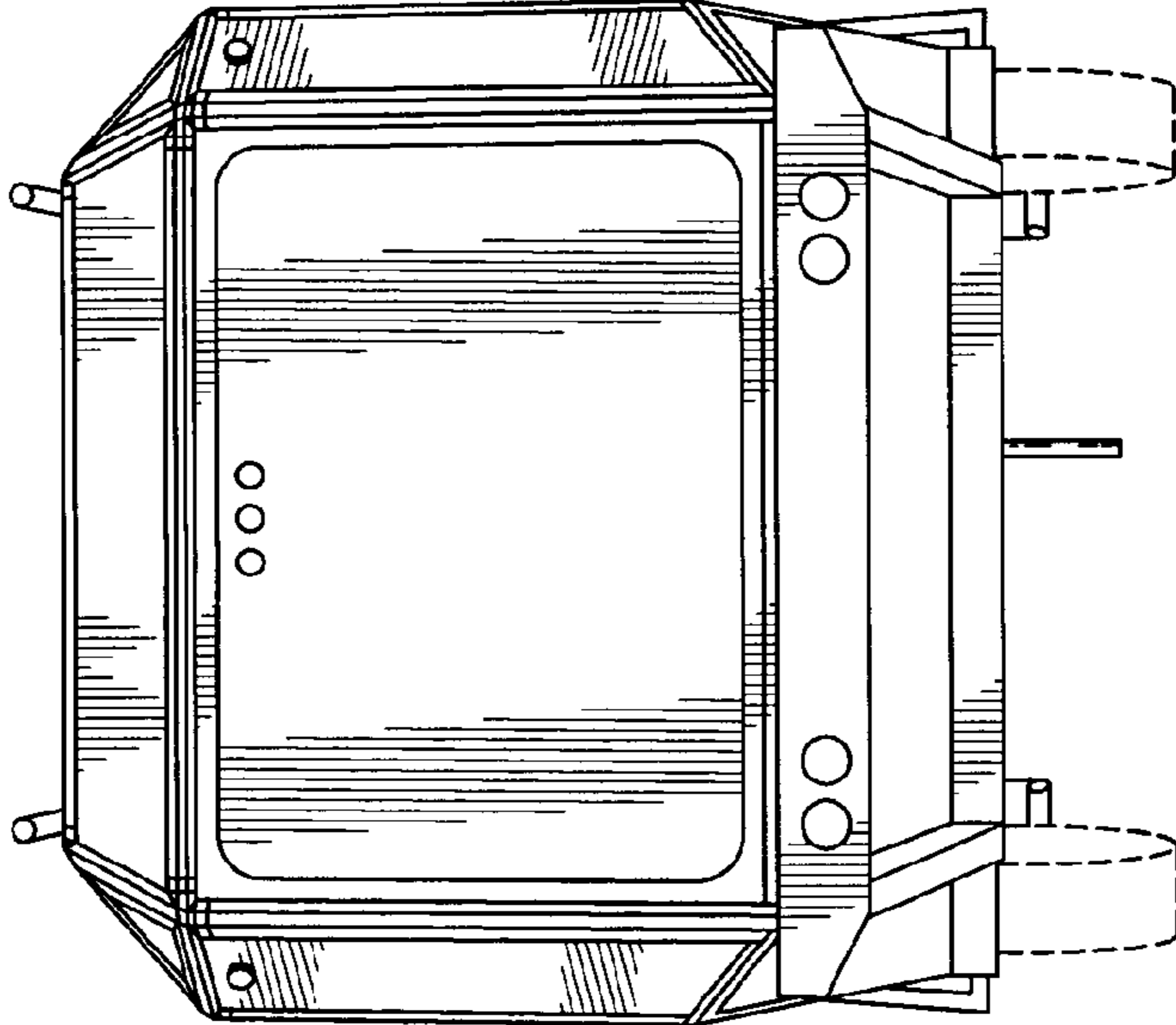


Fig. 3

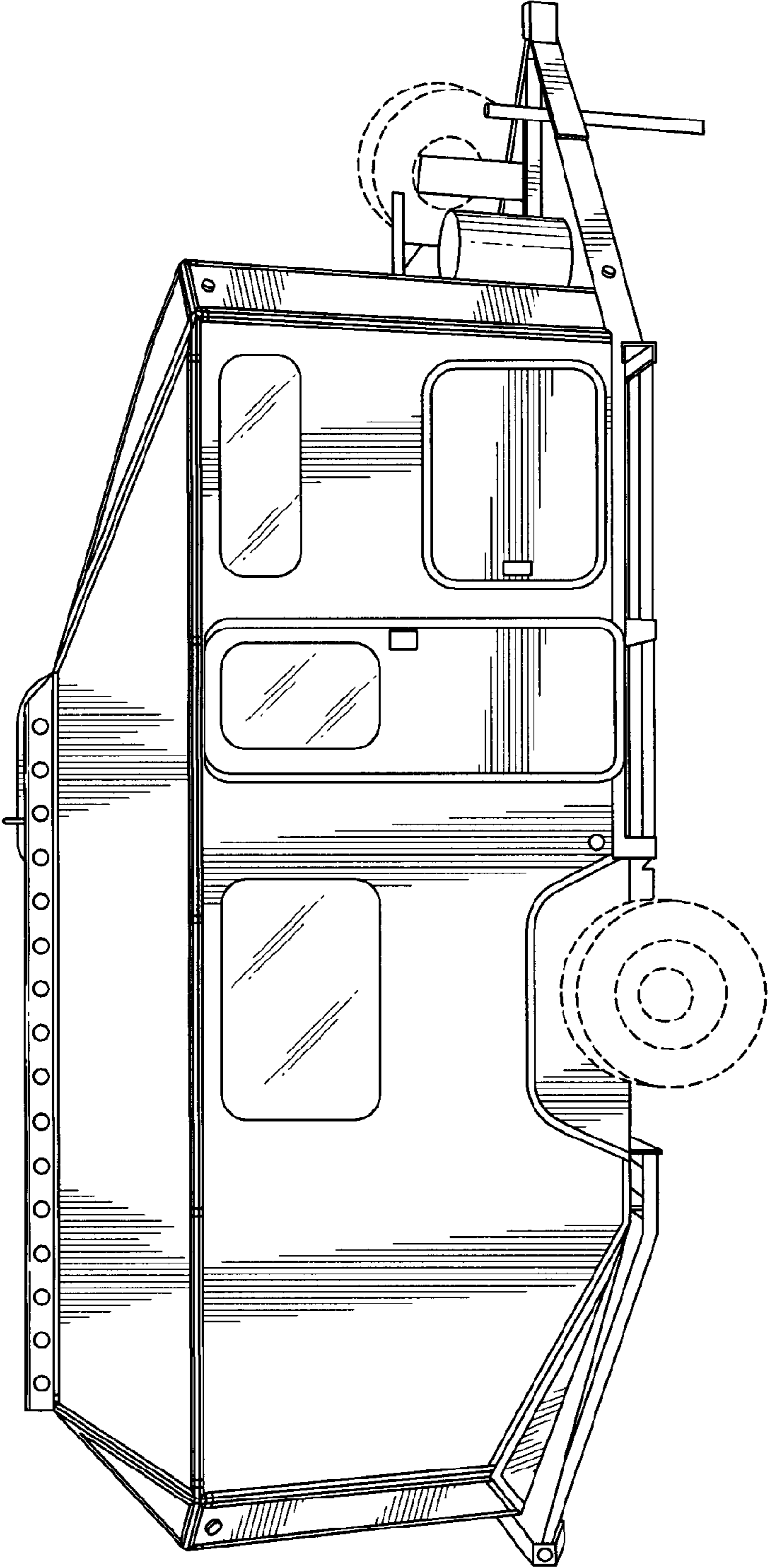


Fig. 4

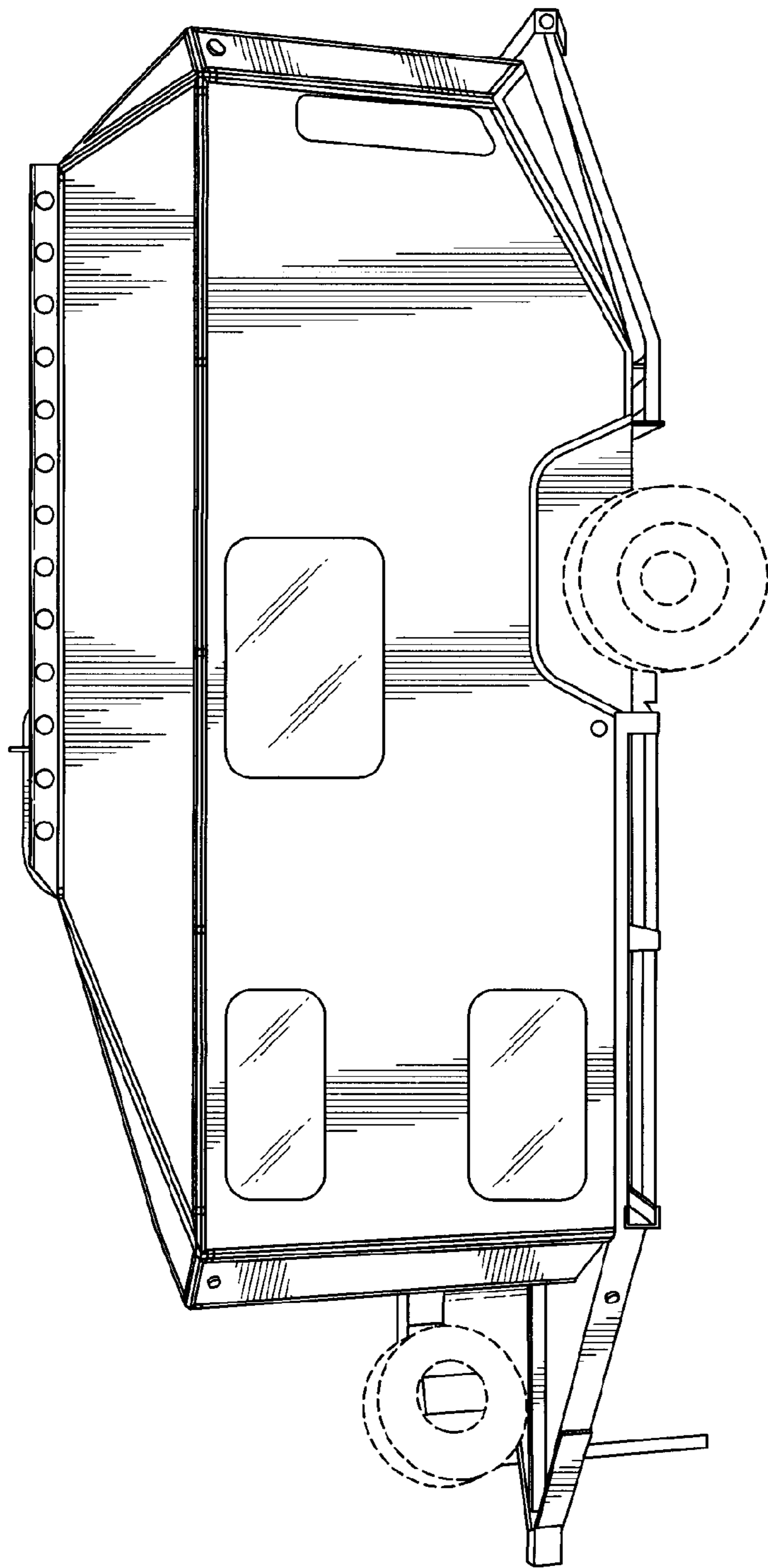


Fig. 5

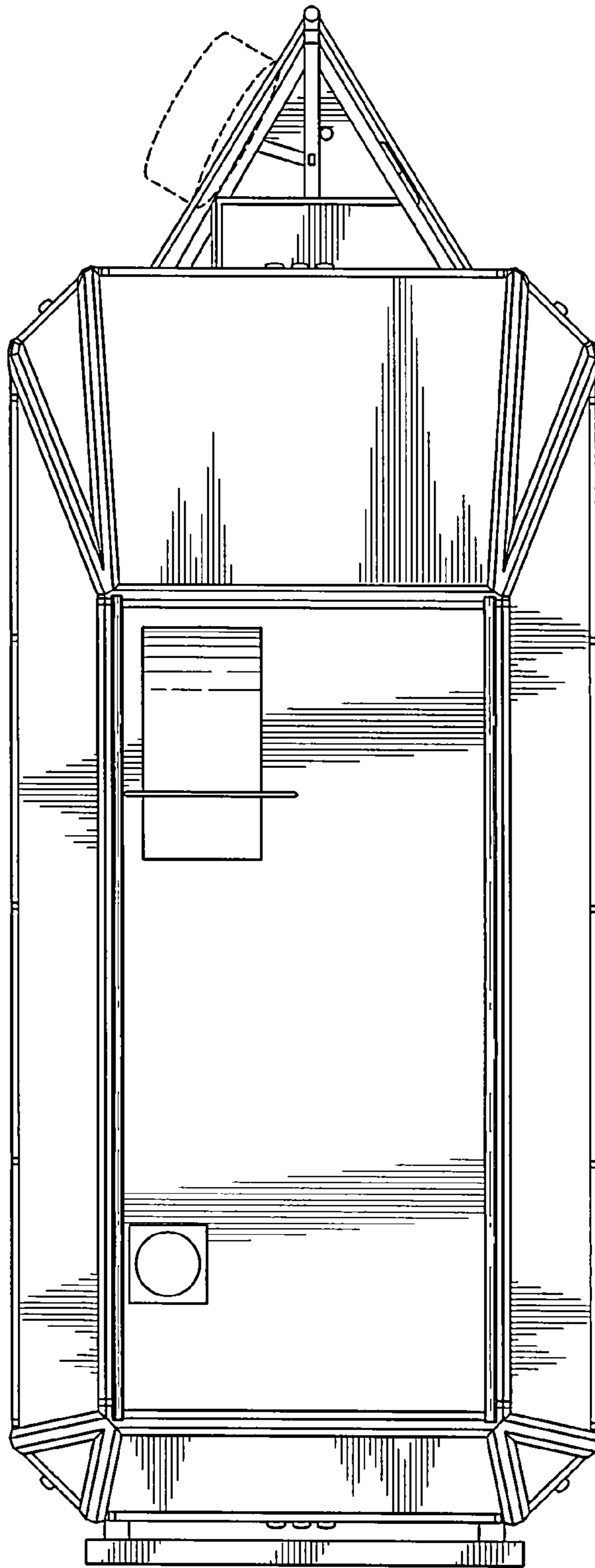


Fig. 6

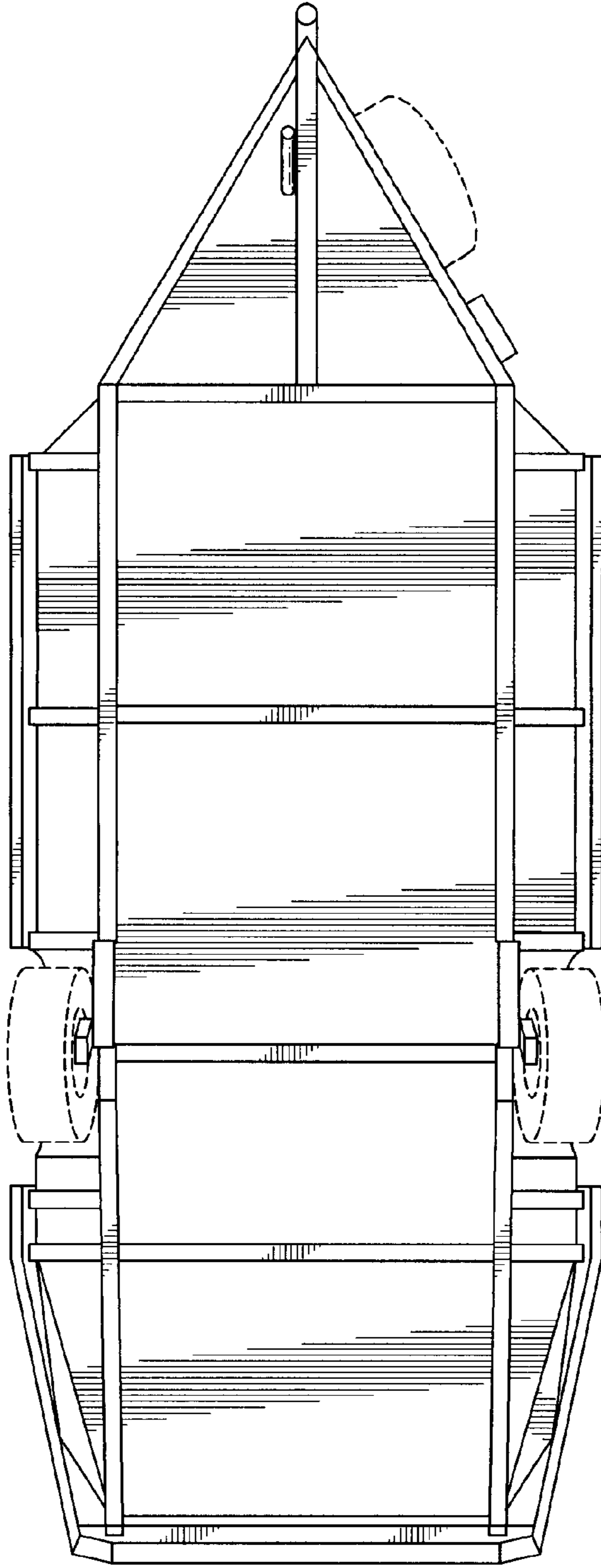


Fig. 7