



US00D707588S

(12) **United States Design Patent**  
**Pettigrew et al.**

(10) **Patent No.:** **US D707,588 S**  
(45) **Date of Patent:** **\*\* Jun. 24, 2014**

(54) **HANGING BASKET**

(71) Applicant: **Myers Industries, Inc.**, Akron, OH (US)

(72) Inventors: **Doug Pettigrew**, Wilsonville (CA);  
**Douglas Heald**, Warren, OH (US)

(73) Assignee: **Myers Industries, Inc.**, Akron, OH (US)

(\*\*) Term: **14 Years**

(21) Appl. No.: **29/465,890**

(22) Filed: **Sep. 3, 2013**

(51) **LOC (10) Cl.** ..... **11-02**

(52) **U.S. Cl.**  
USPC ..... **D11/152**

(58) **Field of Classification Search**  
USPC ..... D6/403-405, 556-558; D9/500;  
D11/143-156, 164; D19/77, 80, 81,  
D19/84; D26/9-11, 16, 19; D34/1, 2, 4-6;  
D99/5, 19; 47/17, 32.7, 33, 39, 41.01,  
47/41.1, 41.11-41.15, 44-47, 63, 65.5,  
47/65.9, 66.1, 66.2, 66.6, 66.7, 67-71  
See application file for complete search history.

(56) **References Cited**

**U.S. PATENT DOCUMENTS**

D353,094 S \* 12/1994 Labrie ..... D9/500  
D426,160 S \* 6/2000 Lindsay et al. .... D9/500  
D461,432 S \* 8/2002 Carlson ..... D11/153  
D483,690 S \* 12/2003 Sieverding ..... D11/152  
D572,168 S \* 7/2008 Kurtz ..... D11/152

D594,775 S \* 6/2009 Moreau ..... D11/152  
D607,329 S \* 1/2010 Diss ..... D9/500  
2009/0212187 A1\* 8/2009 Chen ..... 248/318

\* cited by examiner

*Primary Examiner* — Robert M Spear

*Assistant Examiner* — Marissa Cash

(74) *Attorney, Agent, or Firm* — Benesch Friedlander  
Coplan & Aronoff LLP

(57) **CLAIM**

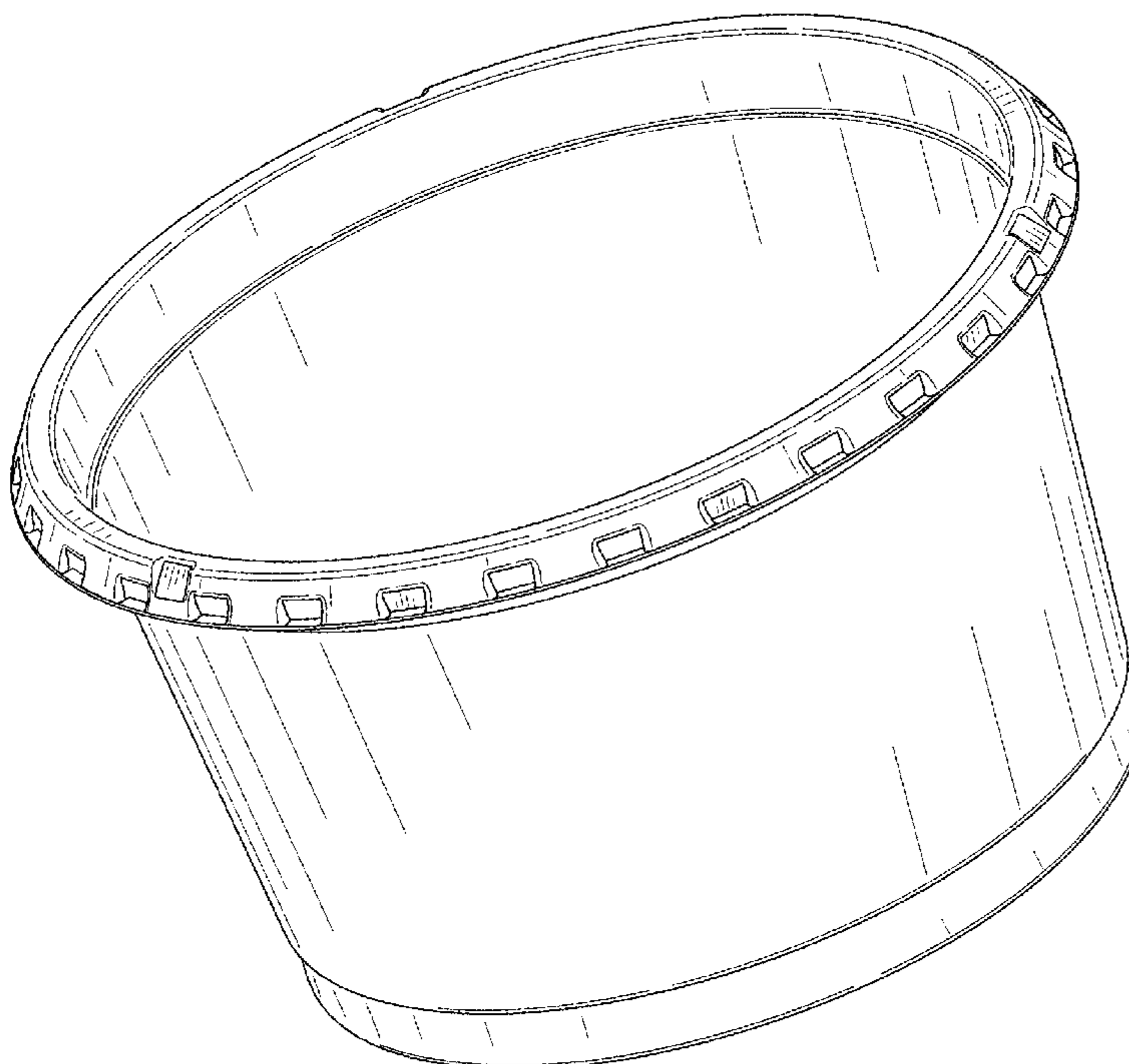
What is claimed is the ornamental design for a hanging basket, as shown and described.

**DESCRIPTION**

FIG. 1 is a perspective view of a hanging basket showing a new design;  
FIG. 2 is a front view of the hanging basket of FIG. 1;  
FIG. 3 is a rear view of the hanging basket of FIG. 1;  
FIG. 4 is a right side view of the hanging basket of FIG. 1;  
FIG. 5 is a left side view of the hanging basket of FIG. 1;  
FIG. 6 is a top view of the hanging basket of FIG. 1;  
FIG. 7 is bottom view of the hanging basket of FIG. 1; and,  
FIG. 8 is a bottom perspective view of the hanging basket of FIG. 1.

The components of the display shown in broken lines illustrate portions of the hanging basket which form no part of the claimed design. Further, the vertical and diagonal broken lines are not meant to be indicative of any specified colors.

**1 Claim, 6 Drawing Sheets**



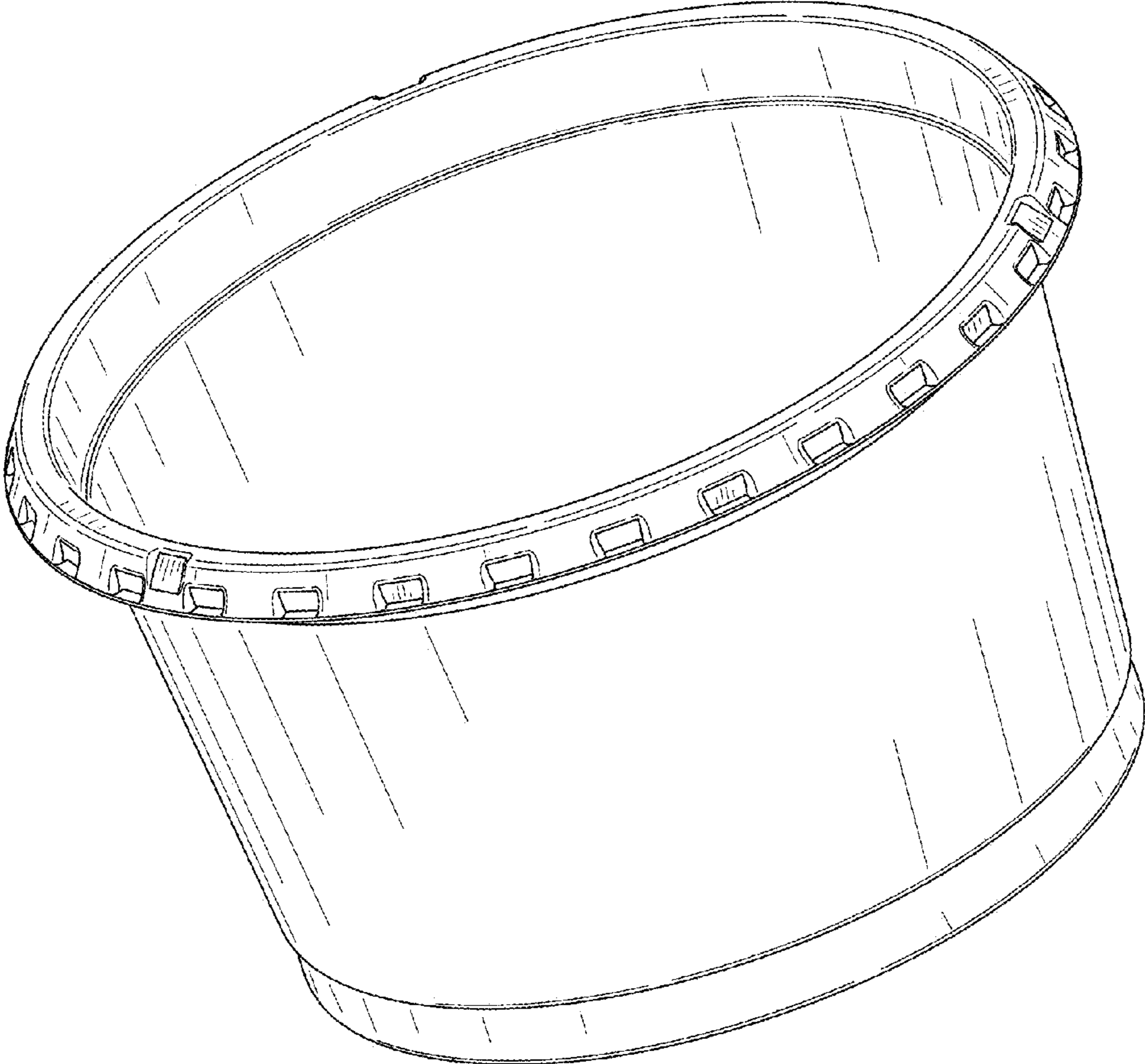


FIG. 1

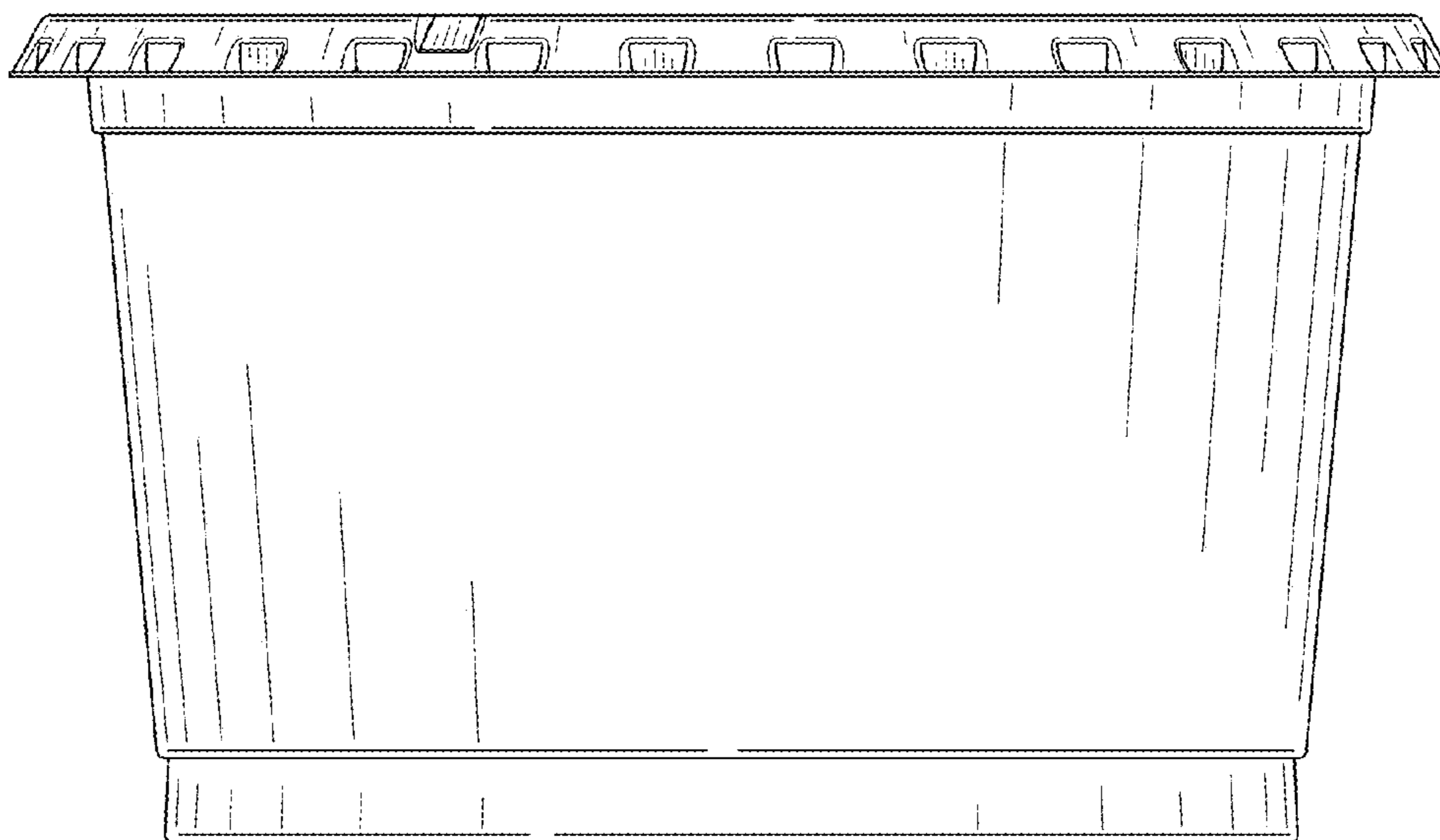


FIG. 2

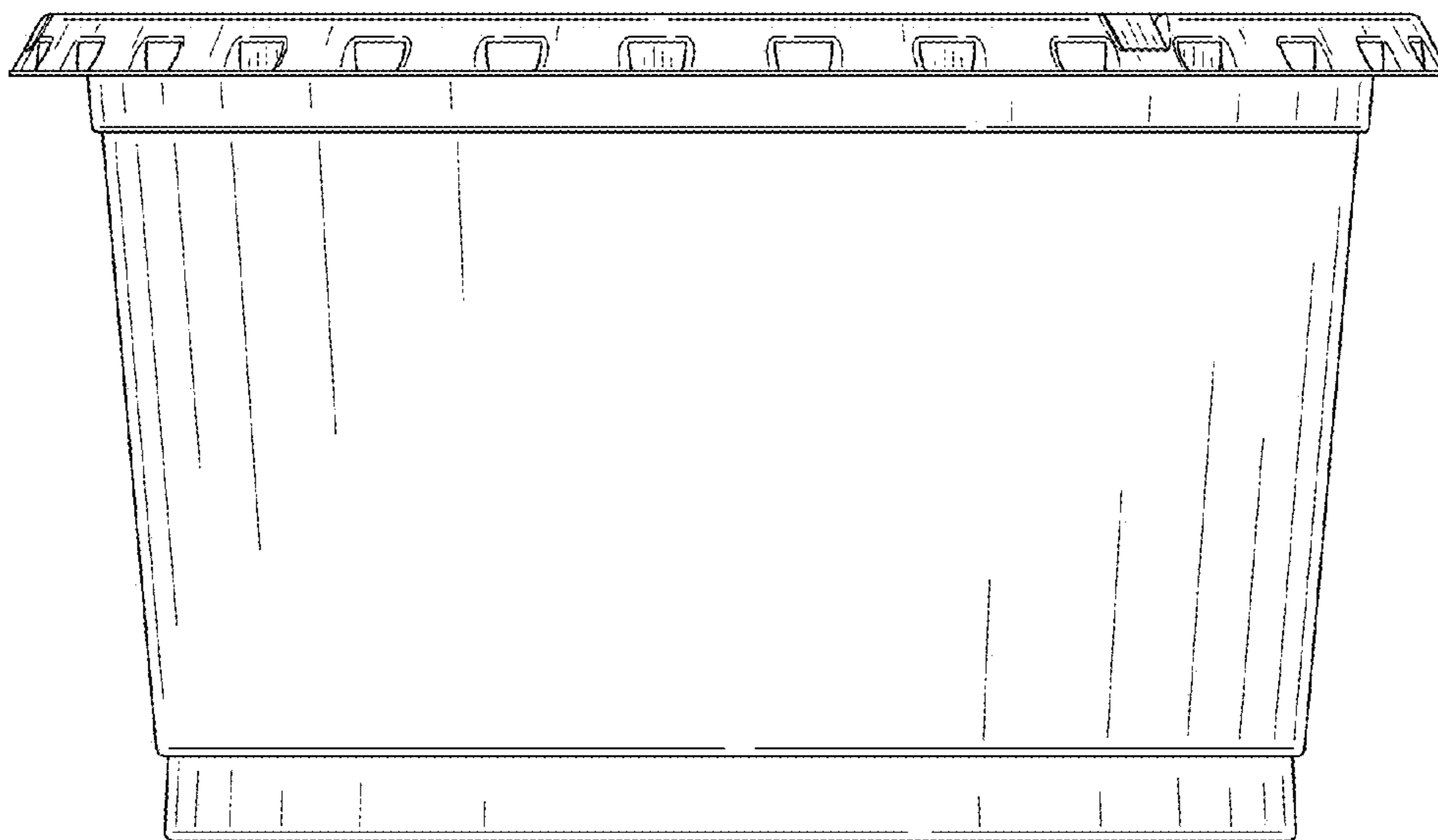


FIG. 3

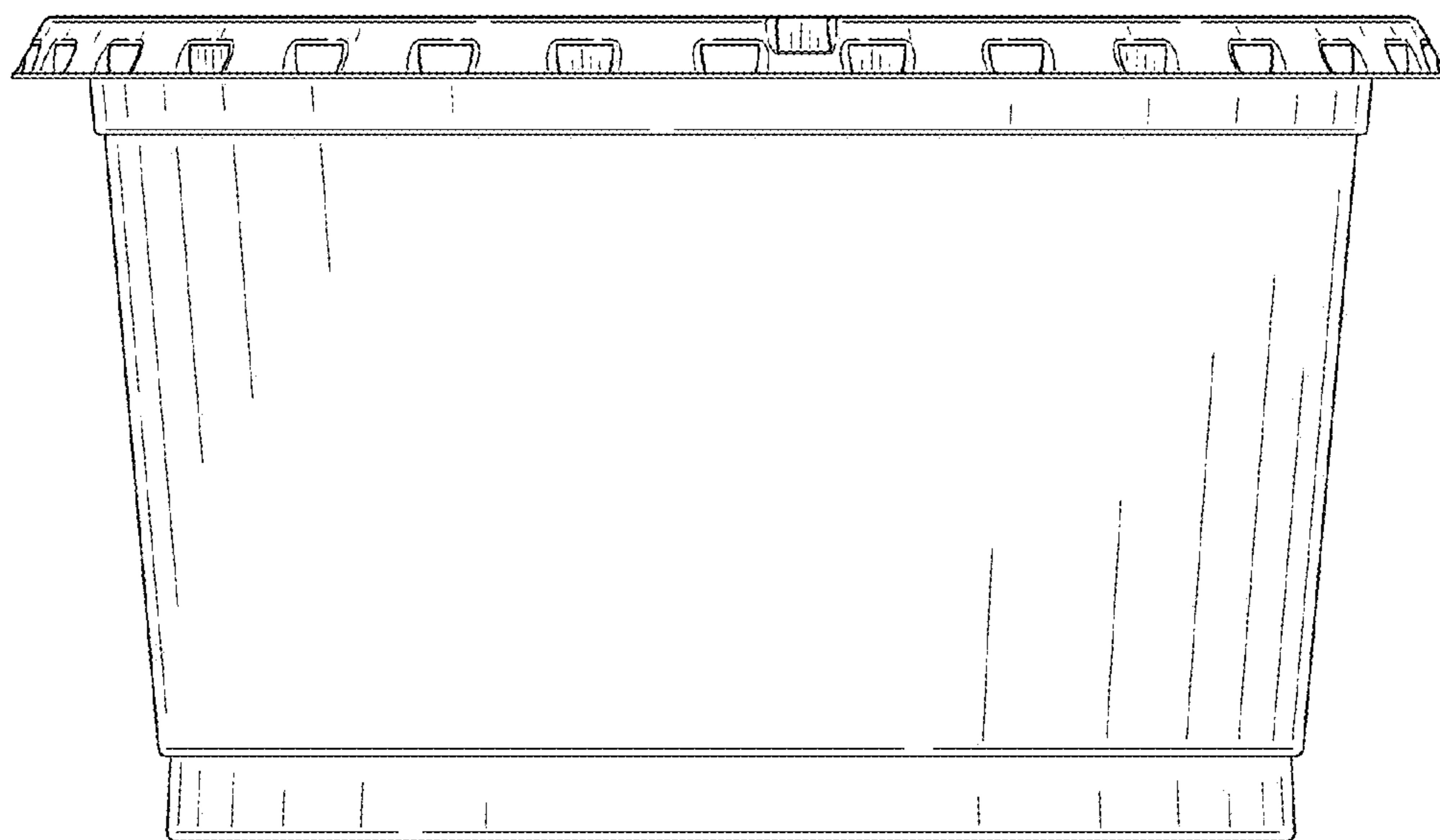


FIG. 4

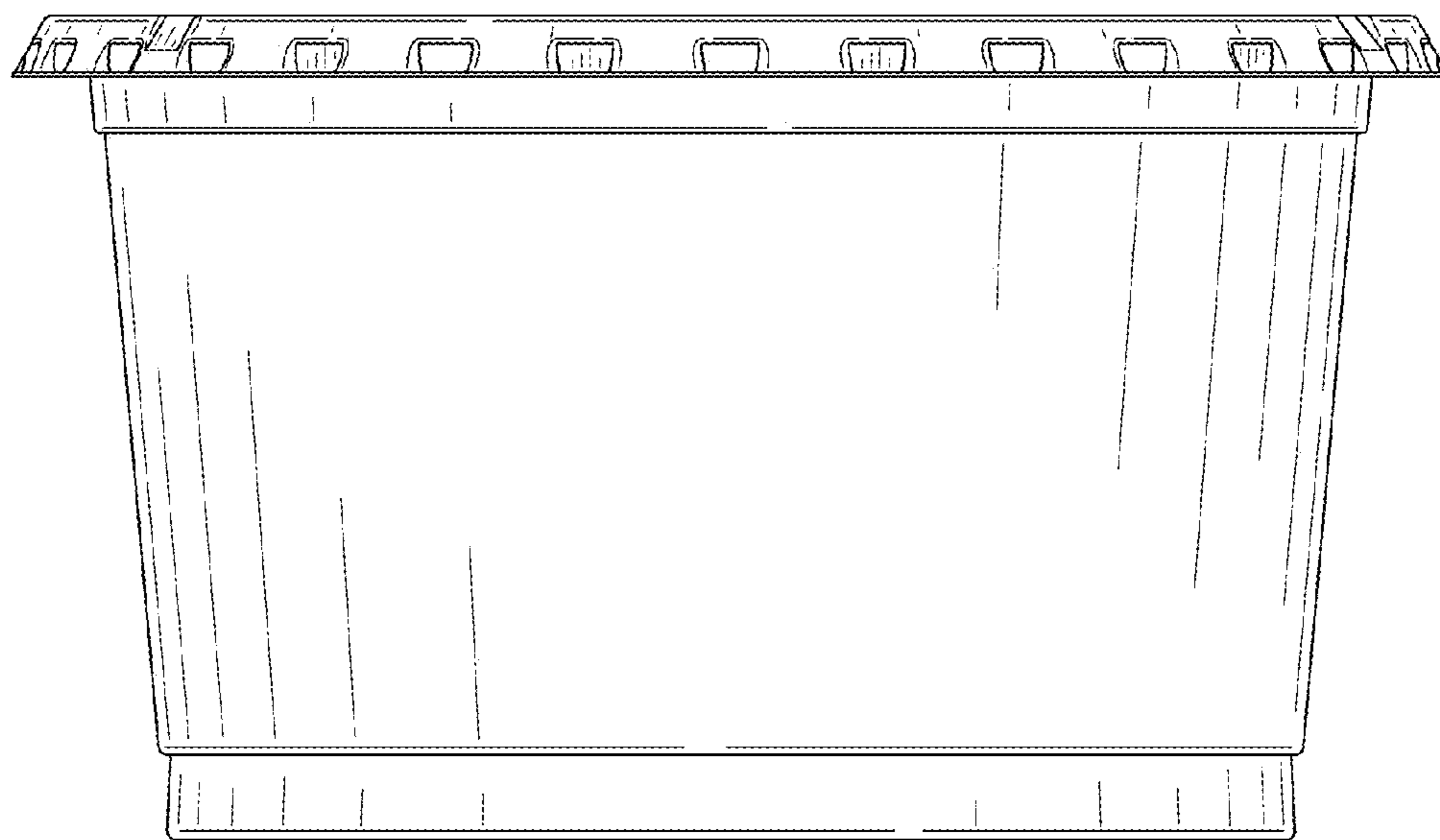


FIG. 5

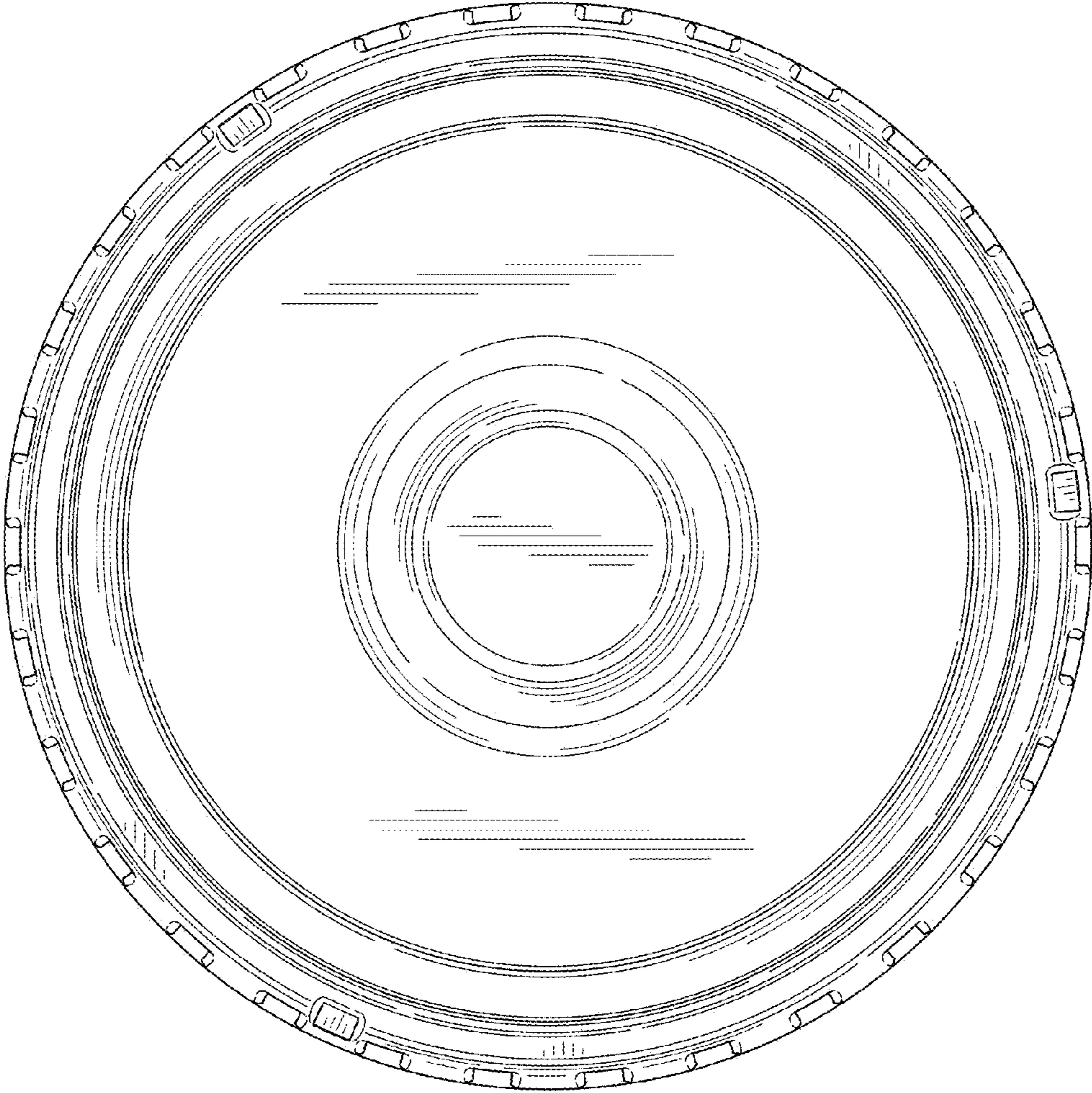


FIG. 6

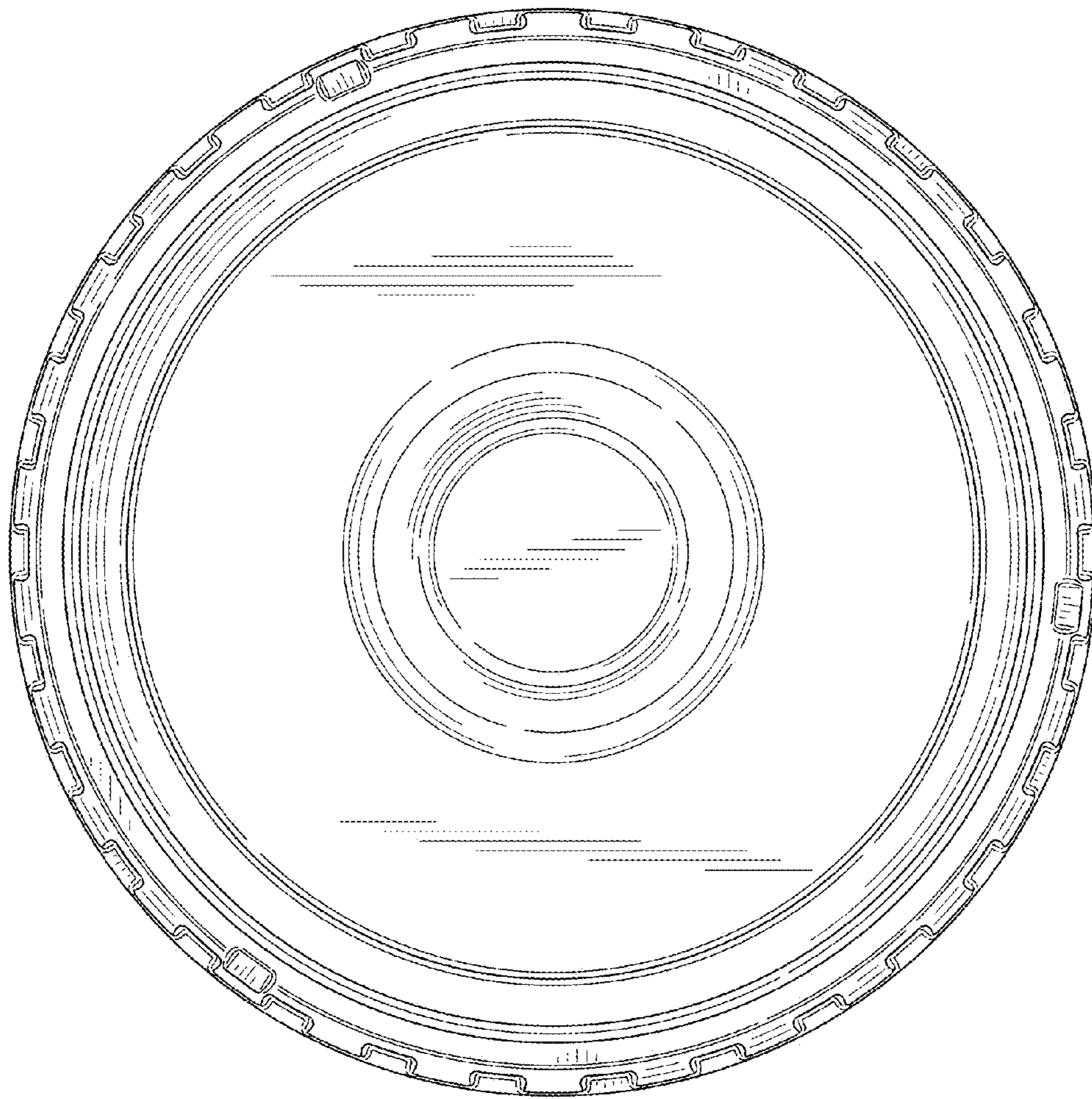


FIG. 7

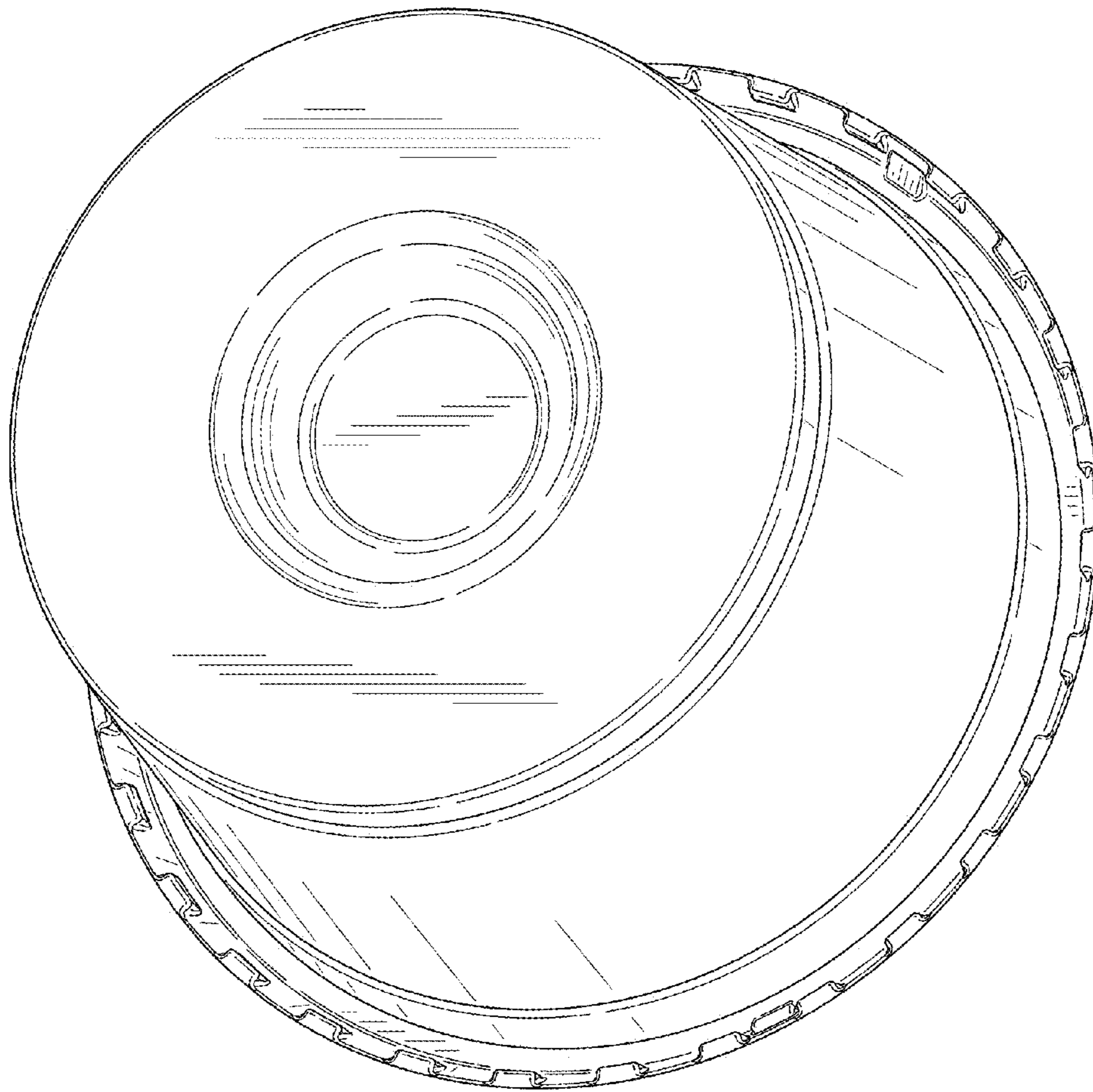


FIG. 8