



US00D707584S

(12) **United States Design Patent**
Webb

(10) **Patent No.:** **US D707,584 S**

(45) **Date of Patent:** **** Jun. 24, 2014**

(54) **METAL CLASP FOR LEATHER BRACELETS**

(71) Applicant: **Shannon Webb**, Coral Gables, FL (US)

(72) Inventor: **Shannon Webb**, Coral Gables, FL (US)

(**) Term: **14 Years**

(21) Appl. No.: **29/459,675**

(22) Filed: **Jul. 2, 2013**

(51) **LOC (10) Cl.** **11-01**

(52) **U.S. Cl.**
USPC **D11/87**

(58) **Field of Classification Search**
USPC D11/1-25, 32, 87, 88, 93, 94; 59/78,
59/79.2; 63/1.11, 3, 3.1, 3.2, 5.1, 5.2,
63/7-11; 224/175; D10/30-32
See application file for complete search history.

(56) **References Cited**

U.S. PATENT DOCUMENTS

5,586,390 A * 12/1996 Barr 29/896.411
D552,003 S * 10/2007 Lecut D11/3
D625,643 S * 10/2010 Desser D11/87
D630,970 S * 1/2011 McNaughton D11/200
7,905,111 B2 * 3/2011 Saltz 63/3

D668,576 S * 10/2012 Outland D11/79
D673,874 S * 1/2013 Long et al. D11/87
D691,913 S * 10/2013 Outland D11/79

* cited by examiner

Primary Examiner — Zenia Bennett

(74) *Attorney, Agent, or Firm* — Laurence A. Greenberg;
Werner H. Stemer; Ralph E. Locher

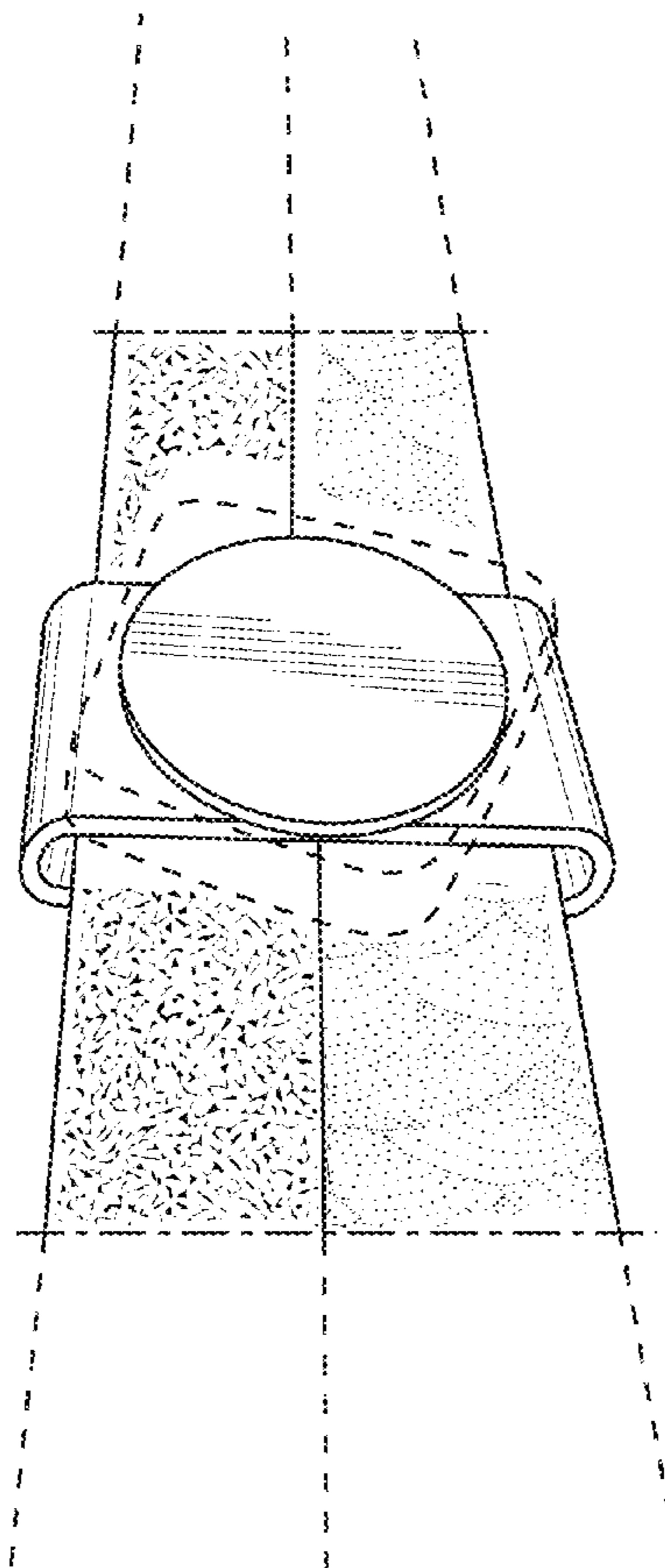
(57) **CLAIM**

The ornamental design for metal clasp for leather bracelets, as shown and described.

DESCRIPTION

FIG. 1 is a top perspective view of the metal clasp for leather bracelets embracing a dual leather strap and an attached thumb screw, showing my new design;
FIG. 2 is a bottom perspective view thereof;
FIG. 3 is a top plan view thereof;
FIG. 4 is a bottom plan view thereof;
FIG. 5 is a front elevation view thereof;
FIG. 6 is a side elevation view thereof; and,
FIGS. 7, 8 and 9 show the metal clasp for leather bracelets with different jewelry stones glued to the thumbscrew.
Subject matter illustrated in dashed lines is shown for illustrative purposes only and does not form part of the claim.

1 Claim, 5 Drawing Sheets



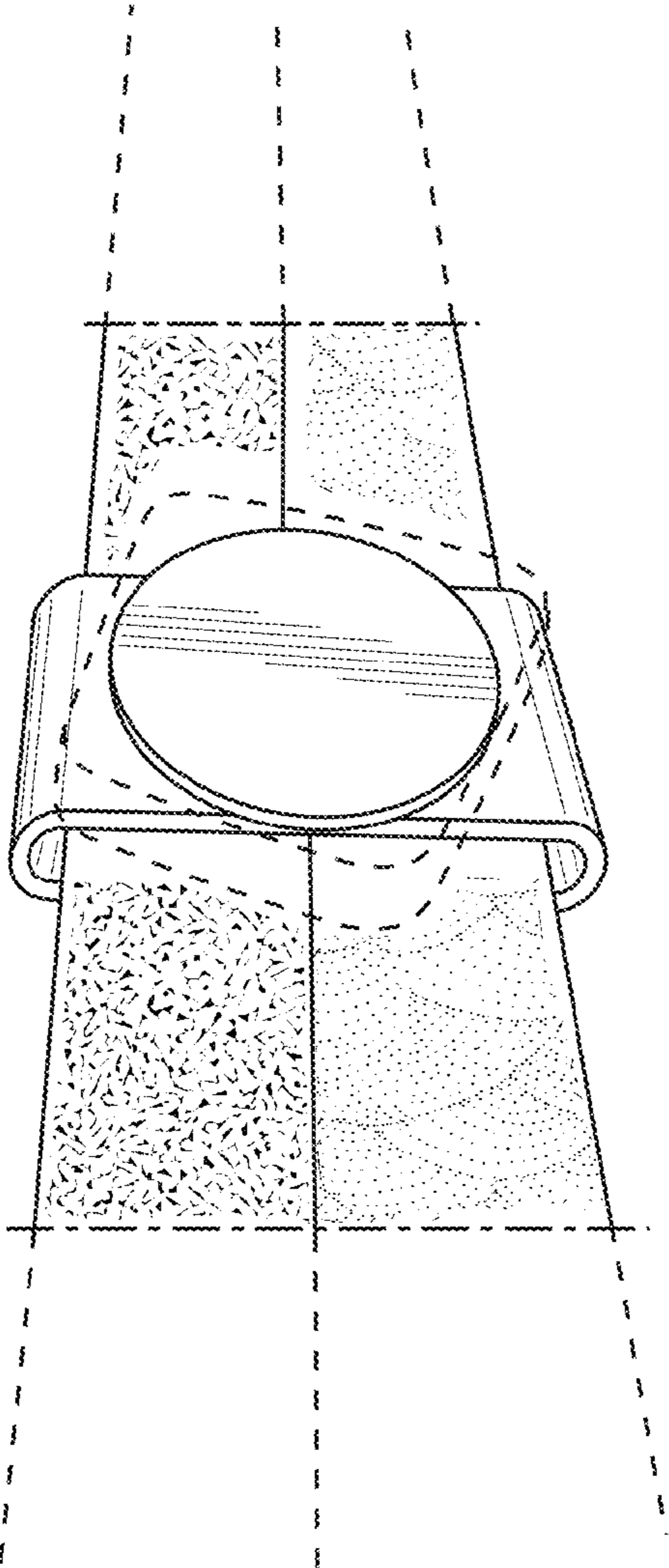


FIG. 1

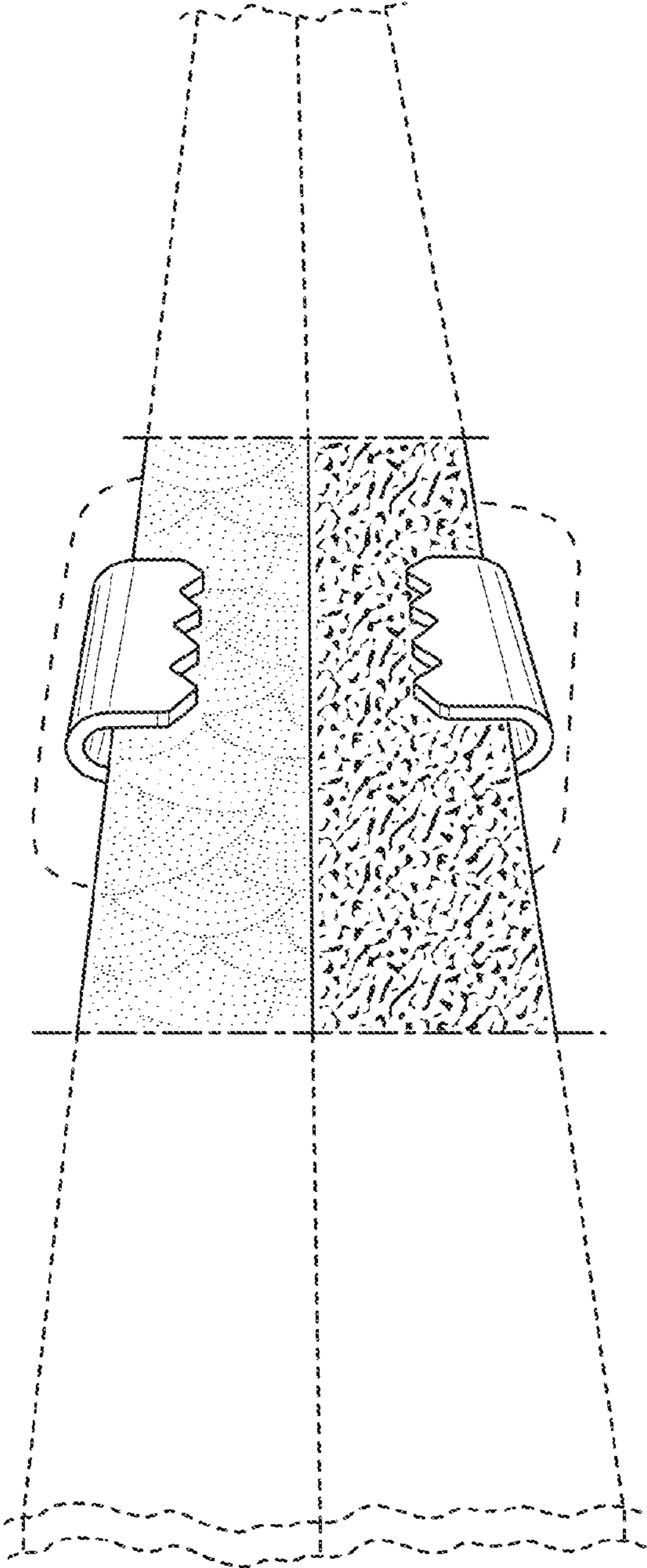


FIG. 2

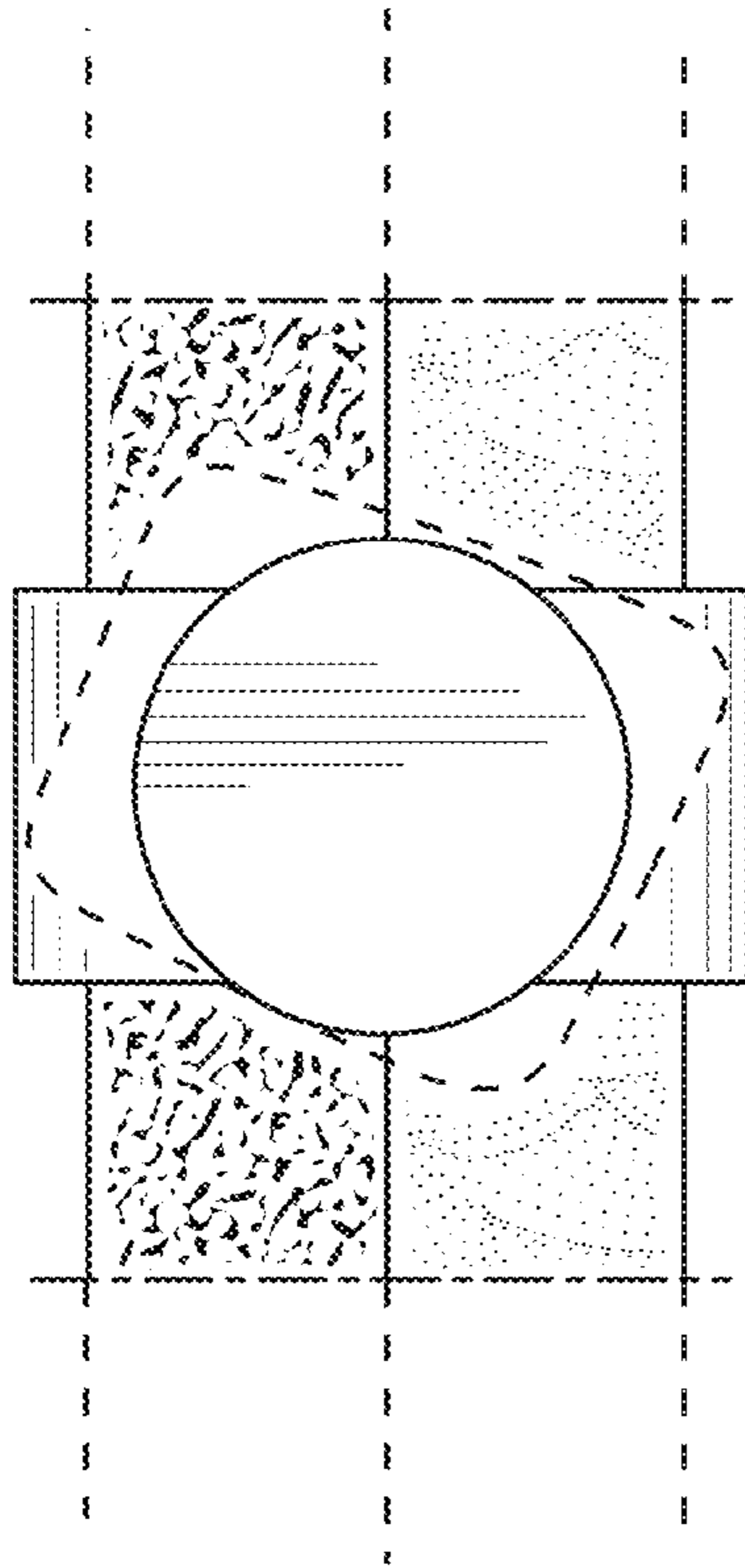
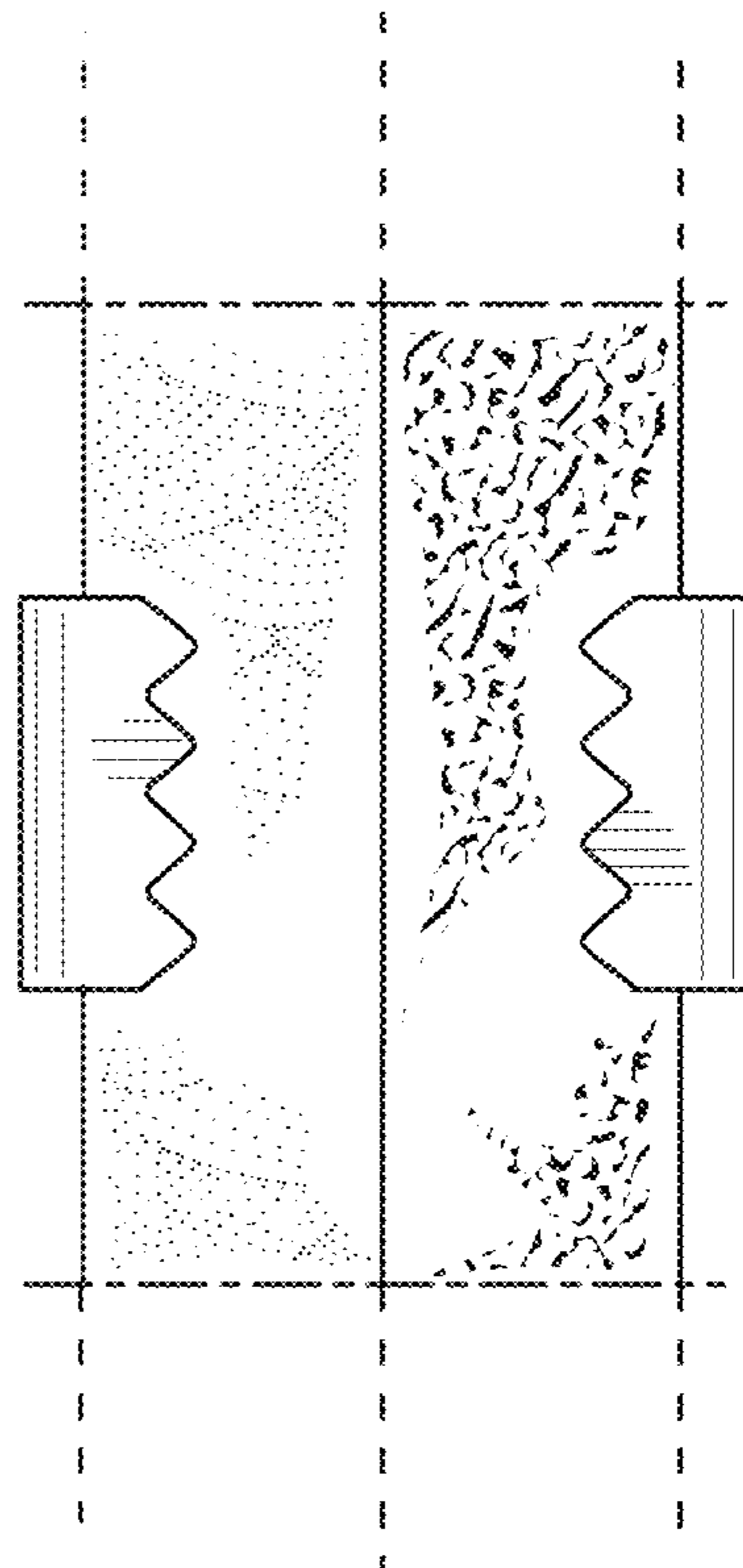


FIG. 4

FIG. 3



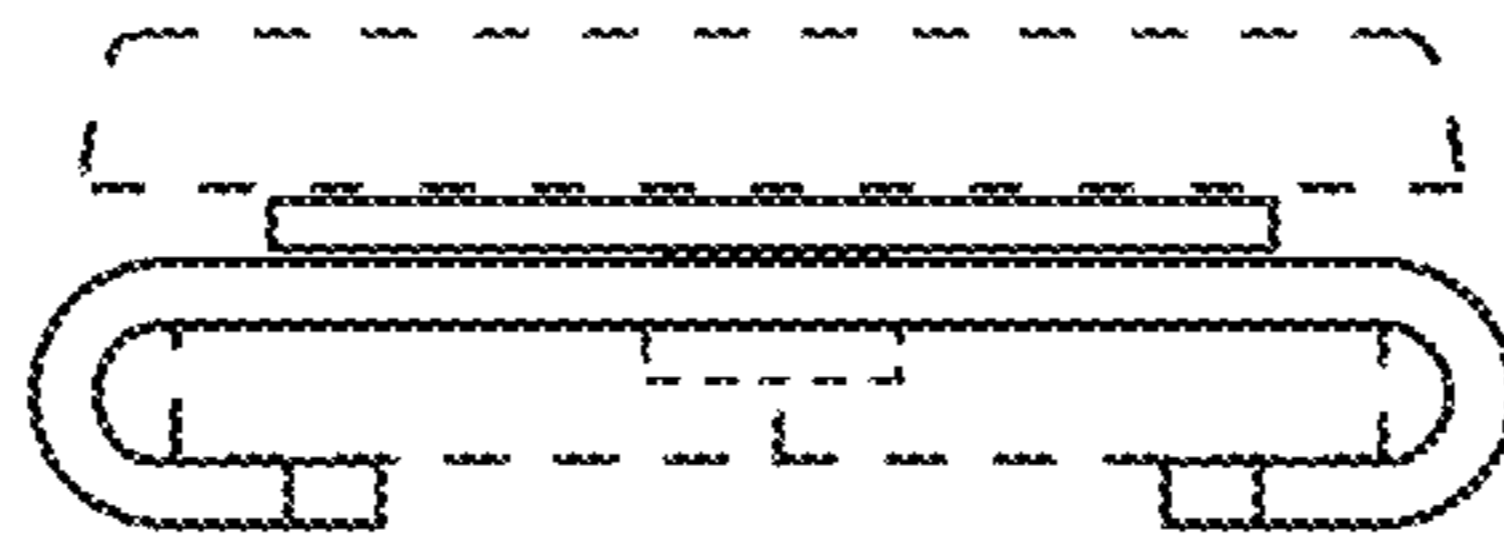


FIG. 5

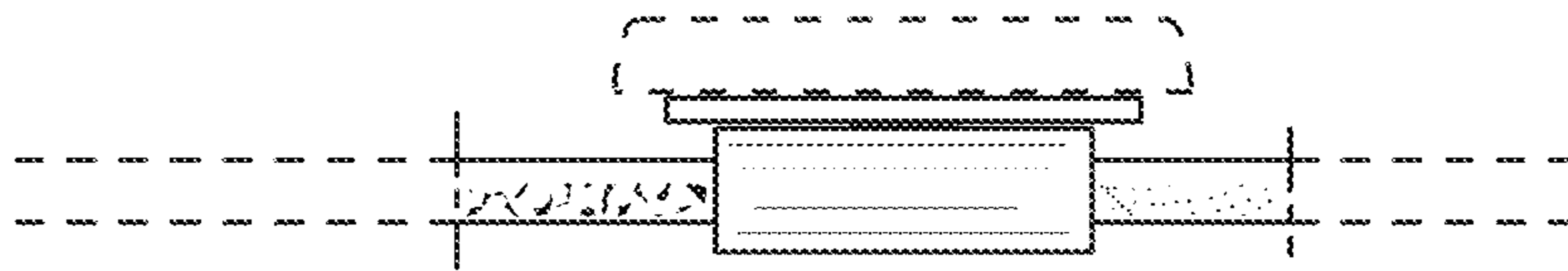


FIG. 6

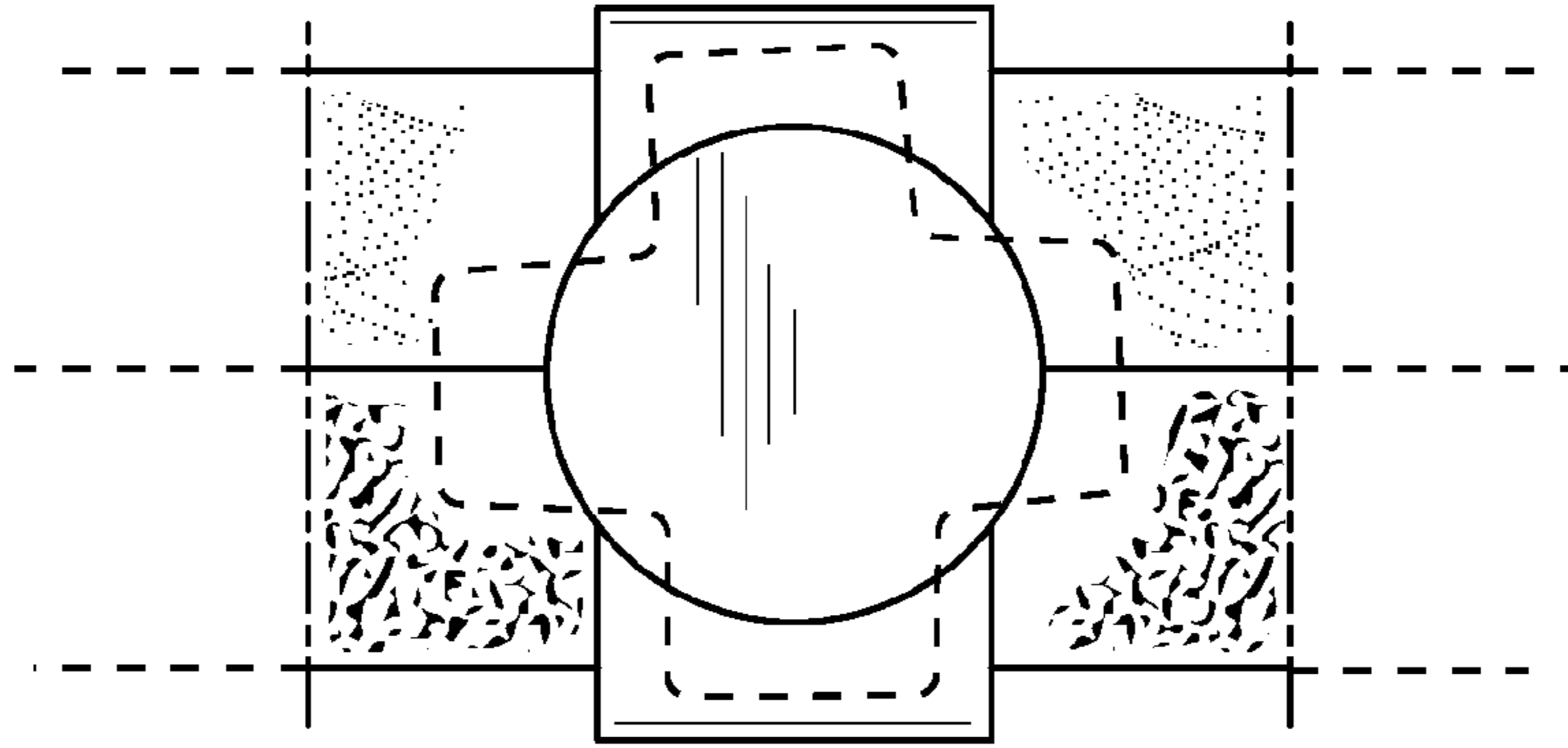


FIG. 9

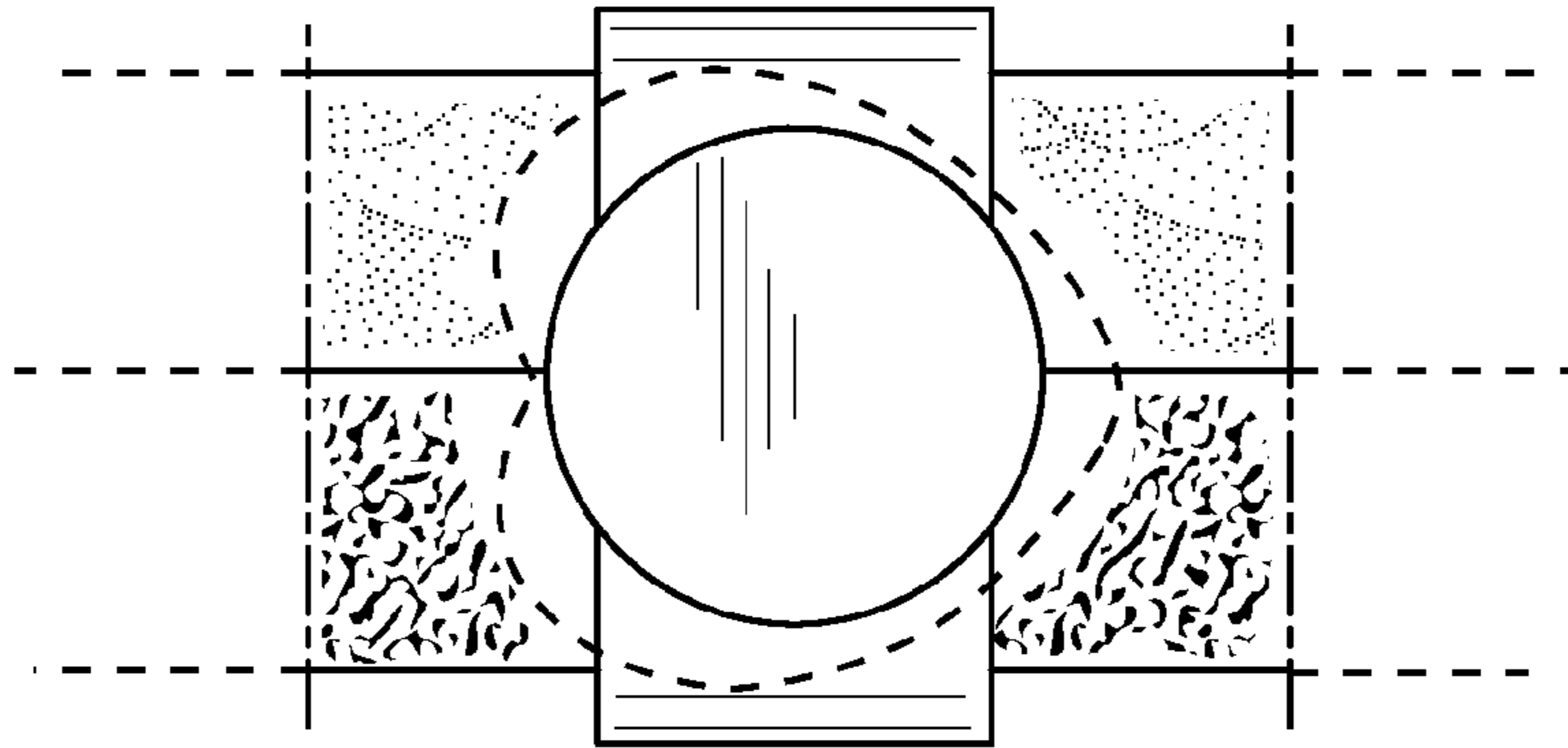


FIG. 8

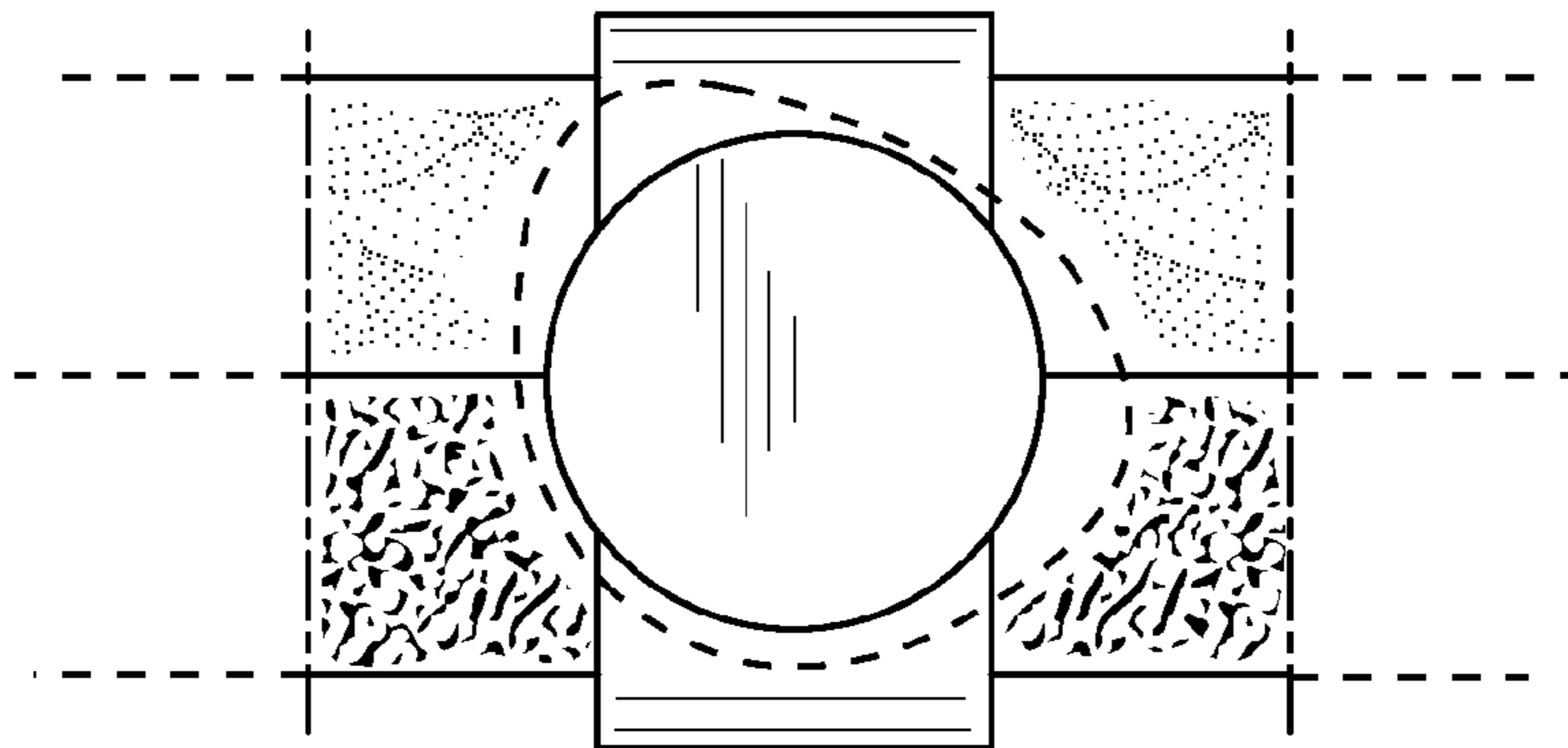


FIG. 7