



US00D707581S

(12) **United States Design Patent**
Cerrato

(10) **Patent No.:** **US D707,581 S**
(45) **Date of Patent:** **** Jun. 24, 2014**

- (54) **WATCH**
- (71) Applicant: **Davide Cerrato**, Geneva (CH)
- (72) Inventor: **Davide Cerrato**, Geneva (CH)
- (73) Assignee: **Tudor Watch U.S.A., LLC**, New York, NY (US)
- (**) Term: **14 Years**
- (21) Appl. No.: **29/469,642**
- (22) Filed: **Oct. 11, 2013**

1,792,700 A *	2/1931 Nelson	368/302
2,352,889 A *	7/1944 Drescher	368/288
D195,421 S *	6/1963 Huguenin	D10/39
D328,866 S *	8/1992 Deleskiewicz	D10/39
D365,283 S *	12/1995 Goulet Mauboussin	D10/30
D371,081 S *	6/1996 Mijatovic	D10/39
D412,287 S *	7/1999 Cattin	D10/30
D458,853 S *	6/2002 Finazzi	D10/39
D509,448 S *	9/2005 Scheufele	D10/39
D559,130 S *	1/2008 Laucella	D10/39
D560,515 S *	1/2008 Finazzi	D10/39
D569,276 S *	5/2008 Scheufele	D10/39
D570,231 S *	6/2008 Actis-Datta	D10/38
D609,584 S *	2/2010 Lalo	D10/32
D624,443 S *	9/2010 Cerrato	D10/38
D632,979 S *	2/2011 Chastaingt	D10/38
8,220,987 B2 *	7/2012 Kimura et al.	368/319

Related U.S. Application Data

- (62) Division of application No. 29/401,874, filed on Sep. 16, 2011.

Foreign Application Priority Data

- Mar. 16, 2011 (CH) 137820

- (51) **LOC (10) CL.** **10-07**

- (52) **U.S. CL.**
USPC **D10/131; D10/128**

- (58) **Field of Classification Search**
USPC D10/30-39, 122-132; 368/80, 223,
368/228, 232, 276, 281, 282, 288, 301-308,
368/319-321
See application file for complete search history.

(56) **References Cited**

U.S. PATENT DOCUMENTS

- 398,957 A * 3/1889 Faxon 368/306
- RE11,323 E * 4/1893 Flint 368/197

* cited by examiner

Primary Examiner — Lucy Lieberman

(74) *Attorney, Agent, or Firm* — Sughrue Mion, PLLC

(57) **CLAIM**

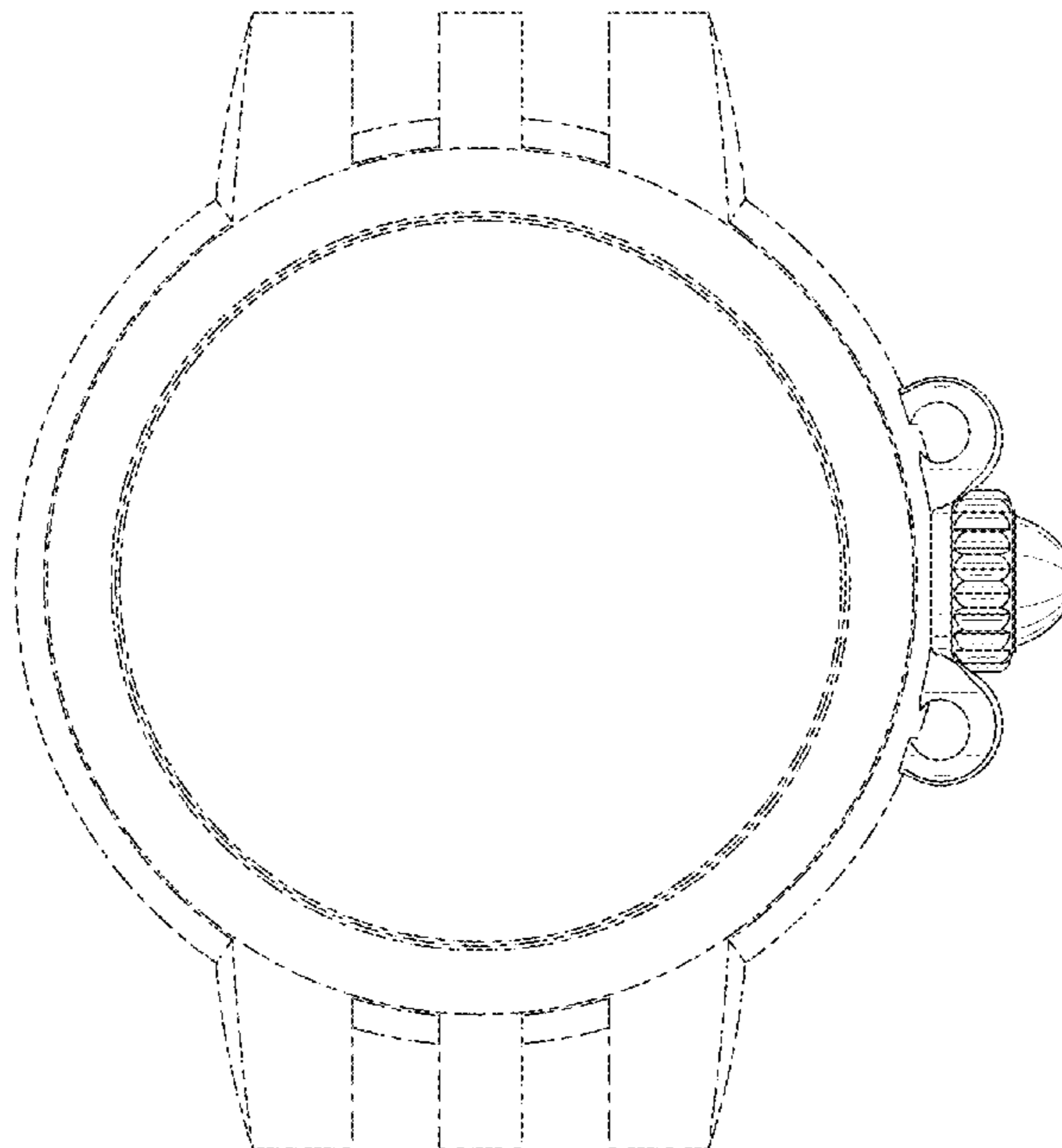
The ornamental design for a watch, as shown and described.

DESCRIPTION

FIG. 1 is a top and right side perspective view of a watch showing my new design;
 FIG. 2 is a top view of the crown;
 FIG. 3 is a bottom view of the crown;
 FIG. 4 is a right side view of the crown;
 FIG. 5 is a front view of the crown;
 FIG. 6 is a left side view of the crown; and,
 FIG. 7 is a rear view of the crown.

The broken lines in the drawings are used to show portions of the watch that do not form part of the claimed design.

1 Claim, 5 Drawing Sheets



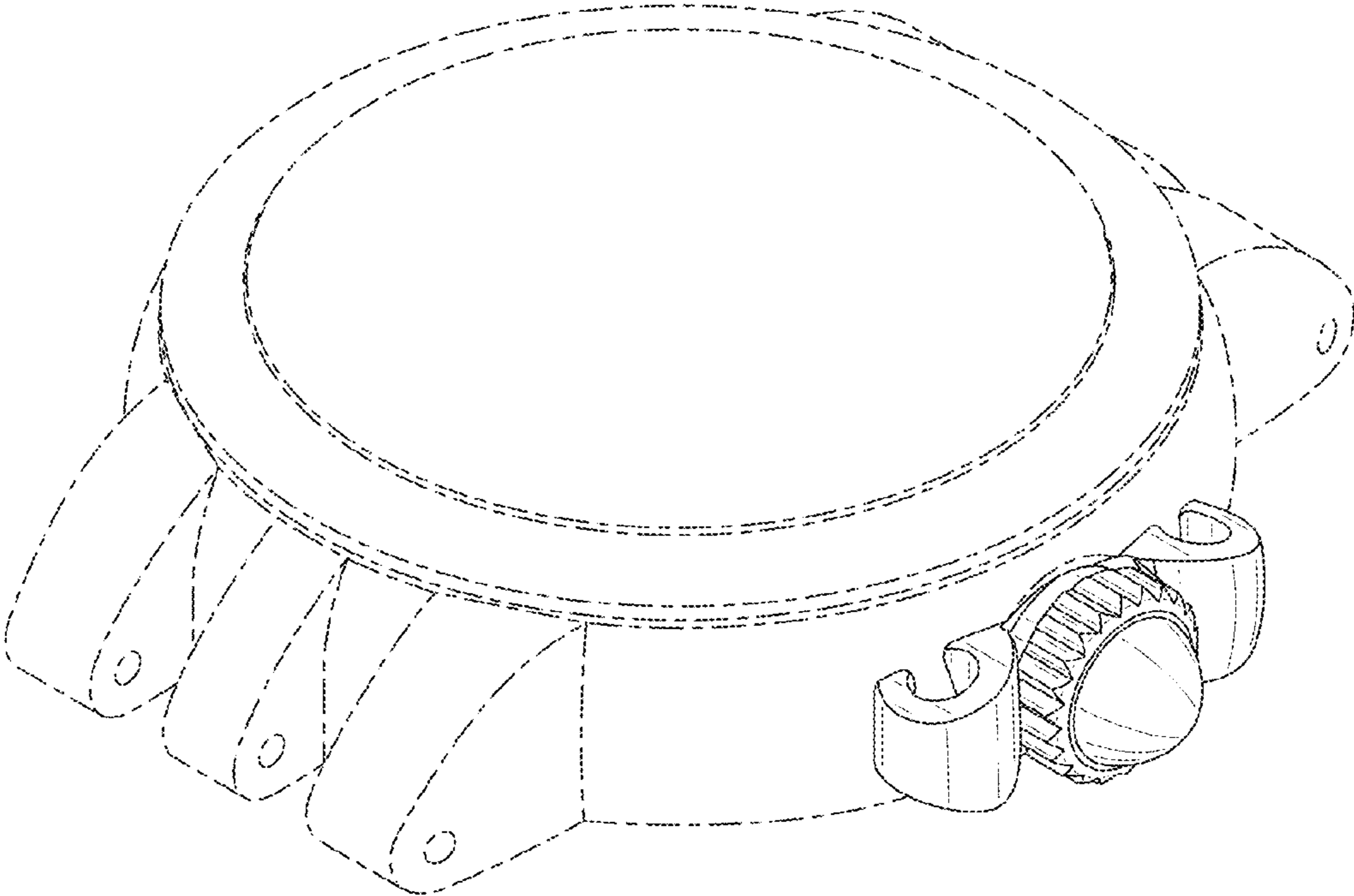


FIG. 1

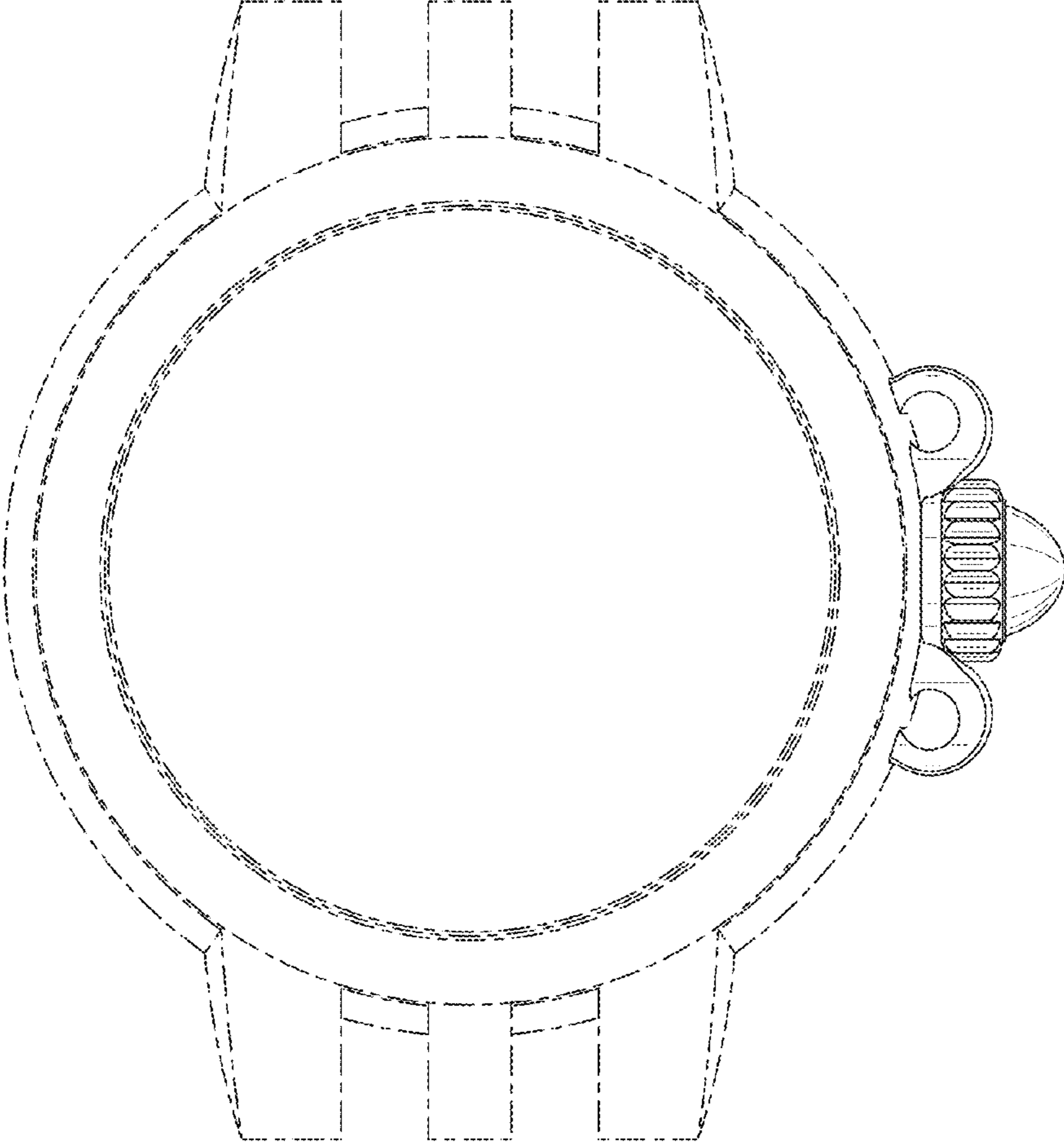


FIG. 2

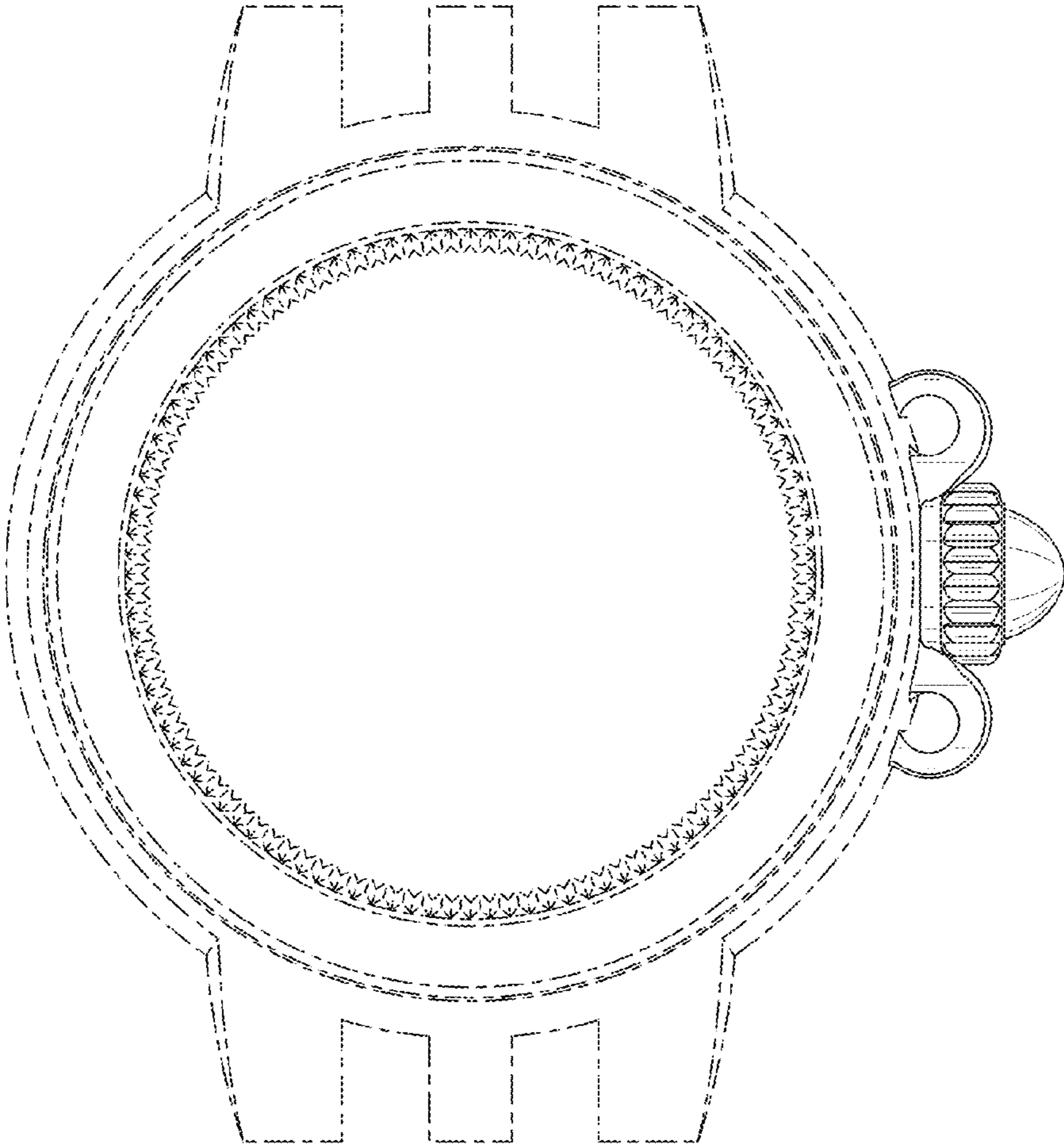


FIG. 3

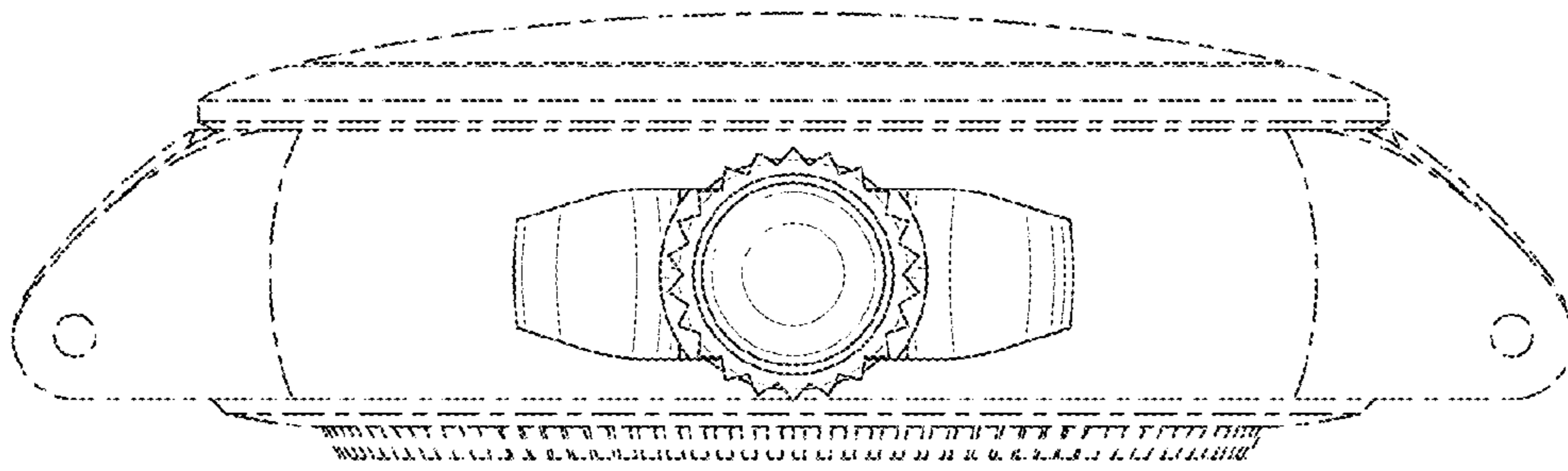


FIG. 4

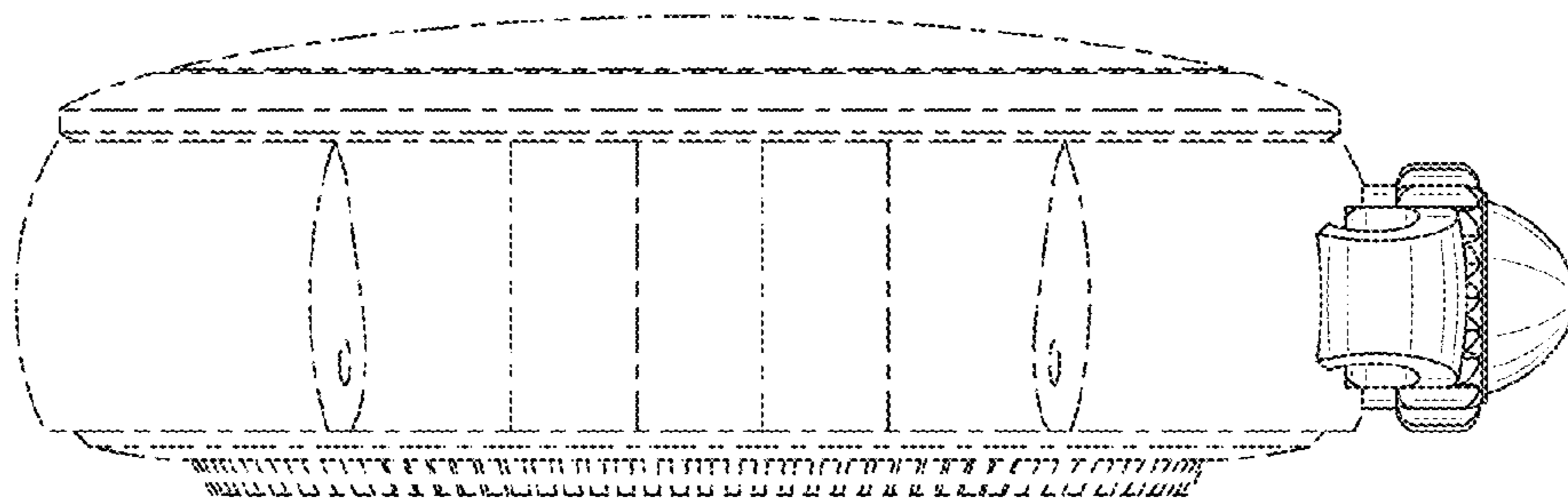


FIG. 5

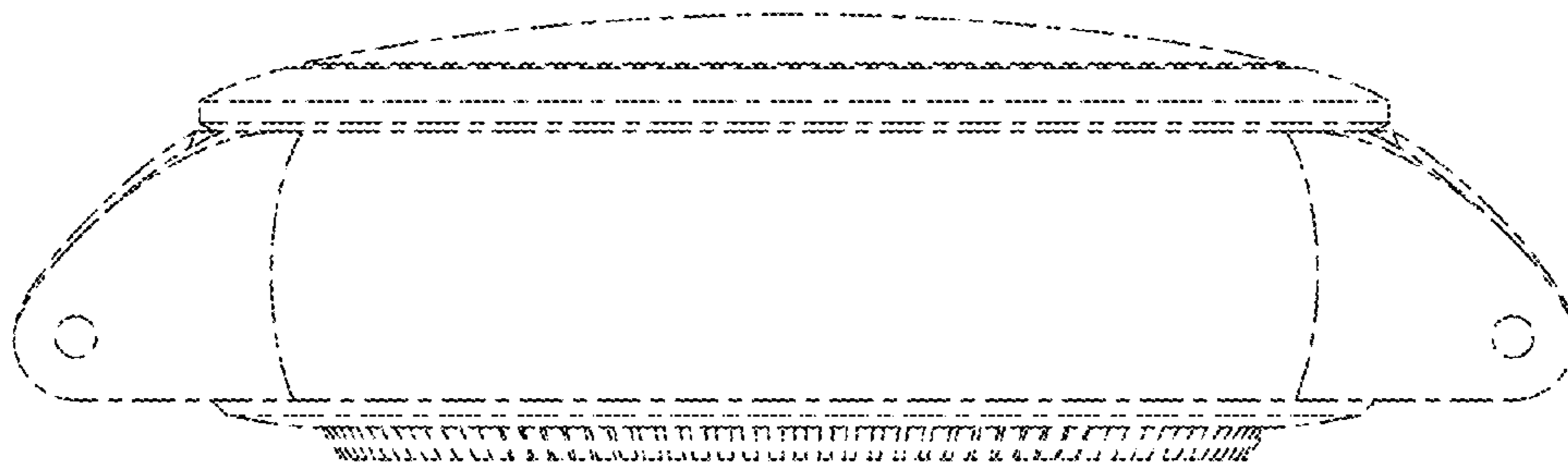


FIG. 6

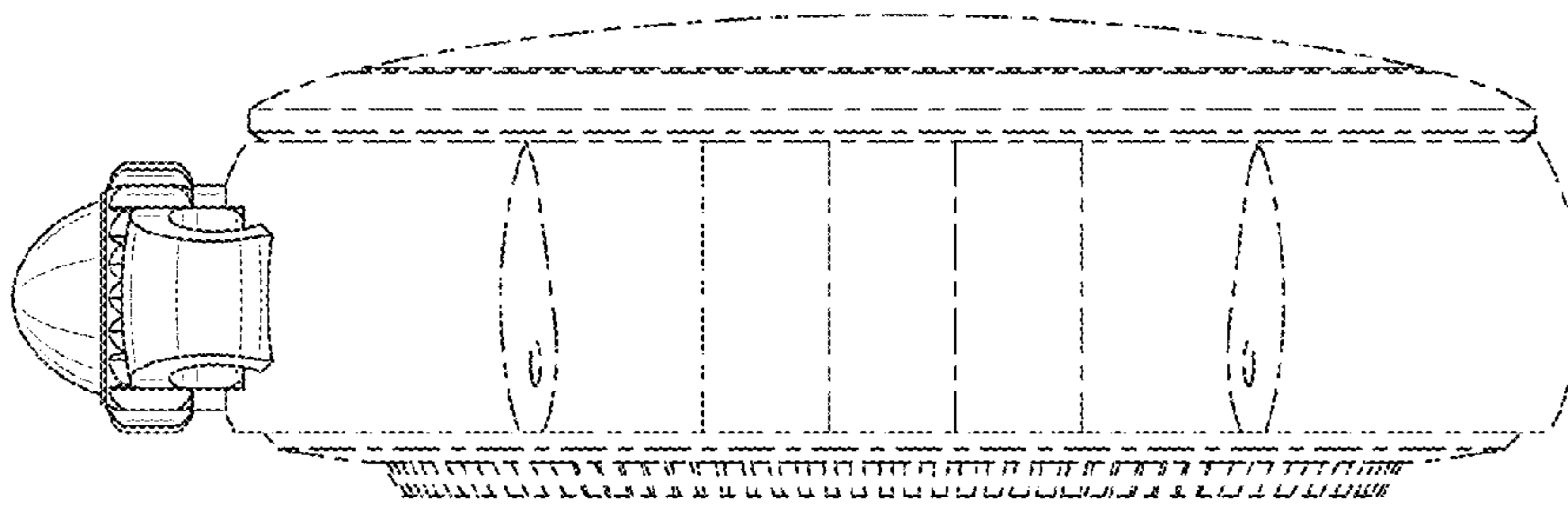


FIG. 7