



US00D707579S

(12) **United States Design Patent**  
**Datz**

(10) **Patent No.:** **US D707,579 S**  
(45) **Date of Patent:** **\*\* Jun. 24, 2014**

(54) **OPTICS FOR A LIGHT BAR**

D556,925 S \* 12/2007 Lin ..... D26/28  
D665,934 S \* 8/2012 Kubo ..... D26/28  
D683,252 S \* 5/2013 Andrew et al. .... D10/114.4

(71) Applicant: **Star Headlight & Lantern Co., Inc.**,  
Avon, NY (US)

\* cited by examiner

(72) Inventor: **R. Michael Datz**, Rochester, NY (US)

*Primary Examiner* — George D Kirschbaum

(73) Assignee: **Star Headlight & Lantern Co., Inc.**,  
Avon, NY (US)

(74) *Attorney, Agent, or Firm* — Kenneth J. Lukacher Law  
Group

(\*\*) Term: **14 Years**

(57) **CLAIM**

The ornamental design for optics for a light bar, as shown and  
described.

(21) Appl. No.: **29/464,394**

(22) Filed: **Aug. 15, 2013**

**DESCRIPTION**

(51) **LOC (10) Cl.** ..... **10-05**

(52) **U.S. Cl.**  
USPC ..... **D10/121**

(58) **Field of Classification Search**  
USPC ..... D10/111, 114.3, 114.4, 121; D26/28;  
D12/164, 90

FIG. 1 is a perspective view looking downwardly from the  
right side of the front of optics for a light bar which embodies  
our invention;

FIG. 2 is a plan view of the front thereof;

FIG. 3 is an elevational view from the front thereof, the back  
elevation view thereof being identical thereto;

FIG. 4 is a plan view of the back thereof;

FIG. 5 is a right end view thereof, the left end view thereof  
being identical thereto; and,

FIG. 6 is a perspective view looking downwardly from the left  
side of the back thereof.

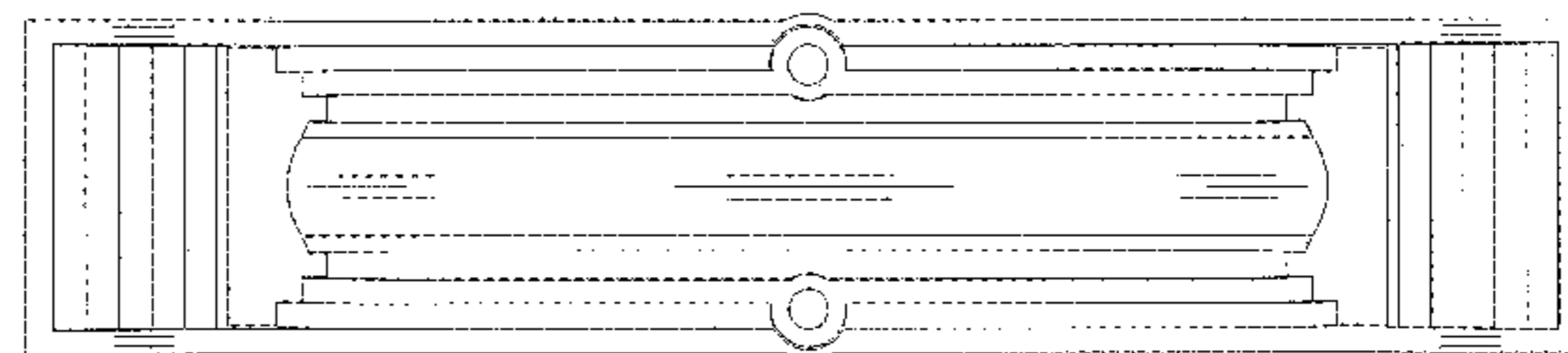
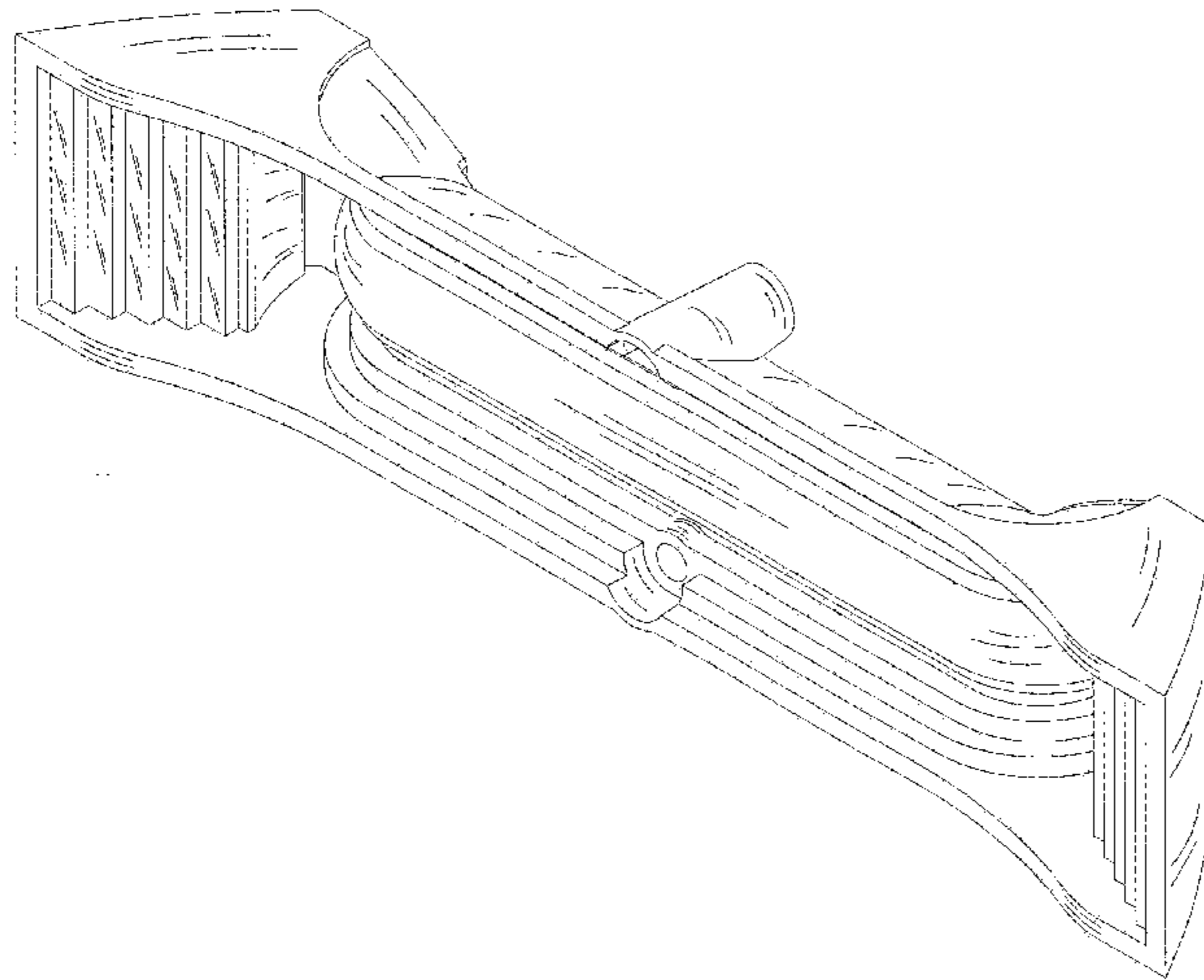
See application file for complete search history.

(56) **References Cited**

**U.S. PATENT DOCUMENTS**

D463,589 S \* 9/2002 Troyer et al. .... D26/28  
D518,203 S \* 3/2006 Phillips et al. .... D26/28

**1 Claim, 6 Drawing Sheets**



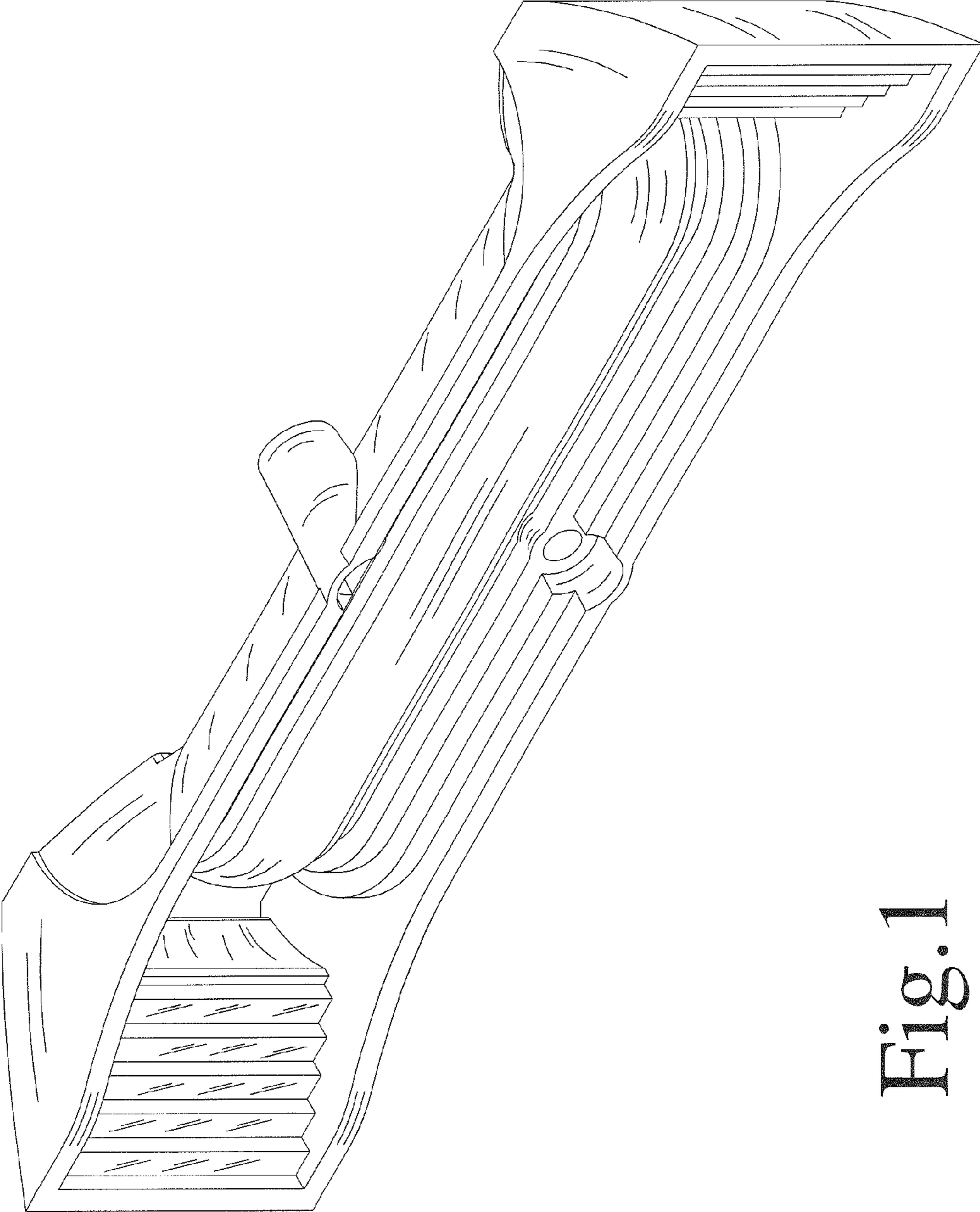


Fig. 1

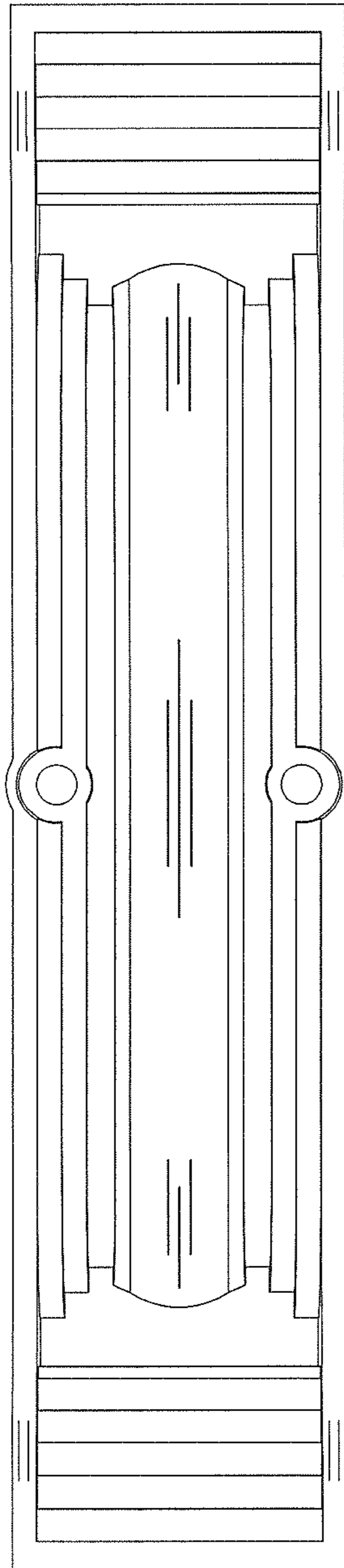


Fig. 2

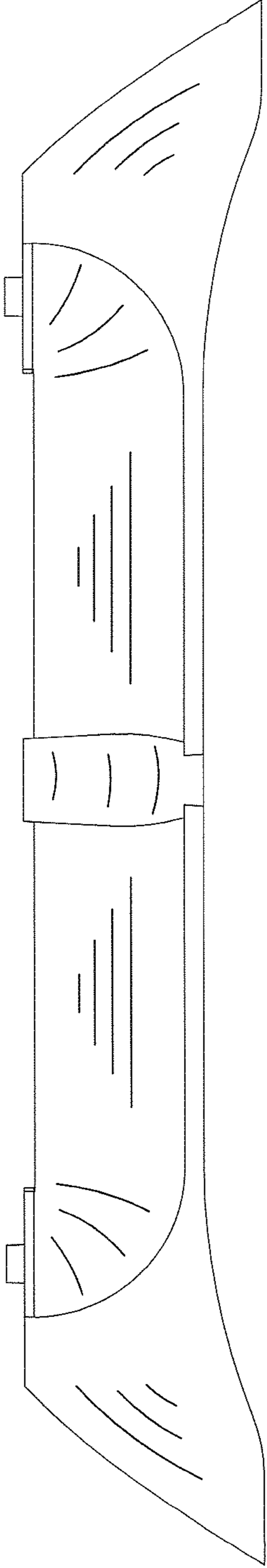


Fig. 3

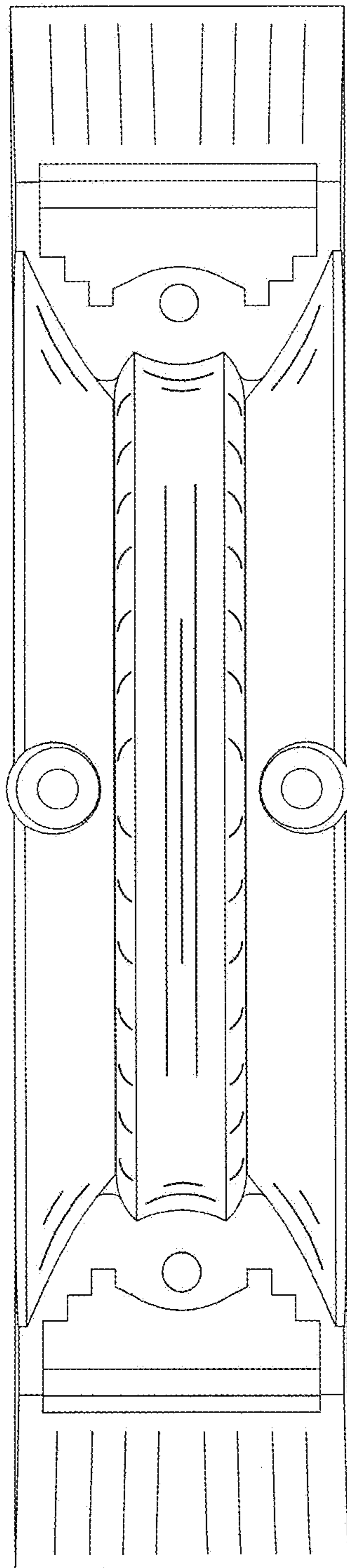


Fig. 4

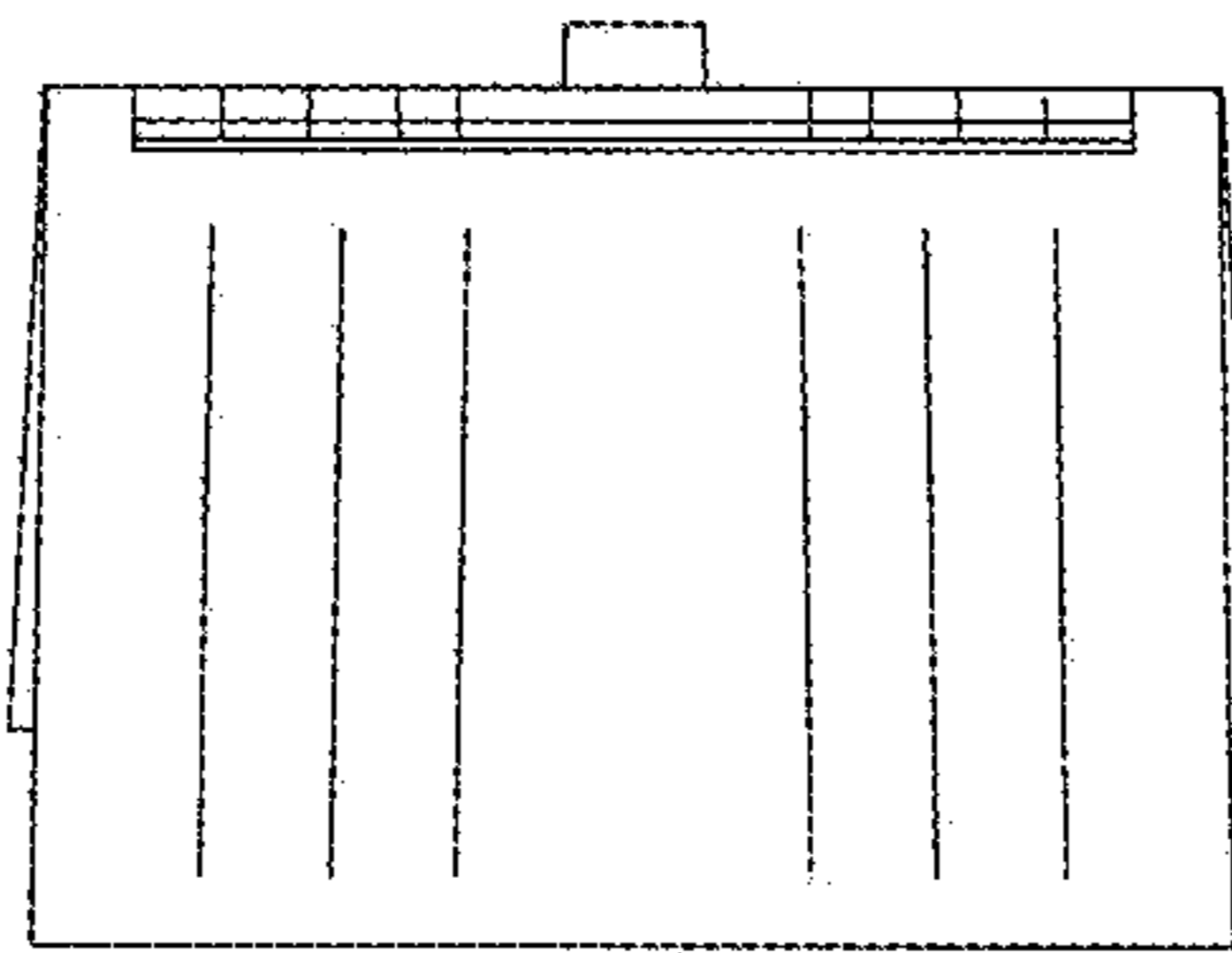


Fig. 5

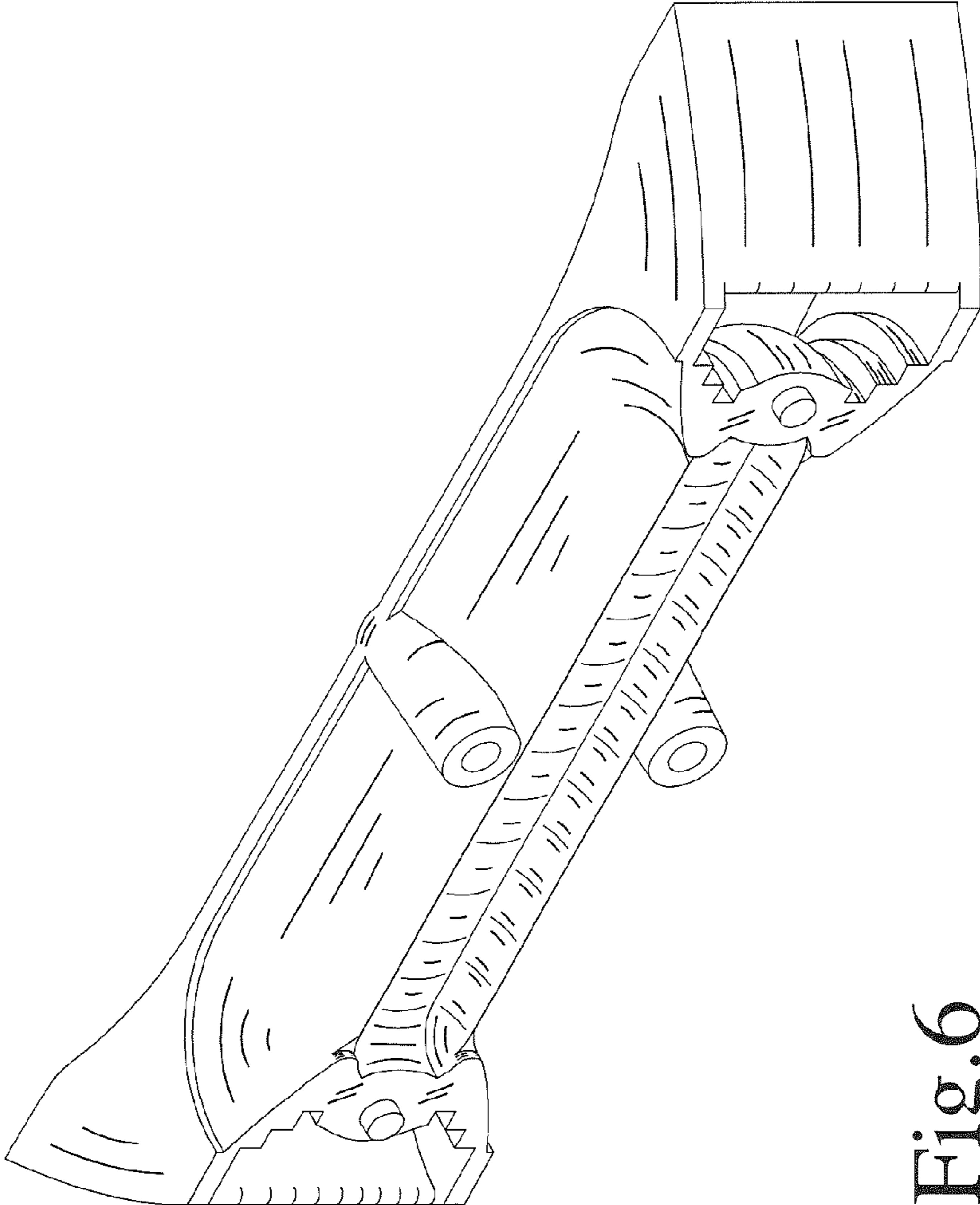


Fig. 6