



US00D707578S

(12) **United States Design Patent**
Carr

(10) **Patent No.:** **US D707,578 S**
(45) **Date of Patent:** **** Jun. 24, 2014**

(54) **VISUAL ALARM DEVICE FOR FIRE ALARM**

(71) Applicant: **Vimpex Limited**, Great Wakering (GB)

(72) Inventor: **Peter Carr**, Harpenden (GB)

(73) Assignee: **Vimpex Limited**, Great Wakering (GB)

(**) Term: **14 Years**

(21) Appl. No.: **29/472,498**

(22) Filed: **Nov. 13, 2013**

(30) **Foreign Application Priority Data**

May 13, 2013 (EM) 002236166-0003

(51) **LOC (10) Cl.** **10-05**

(52) **U.S. Cl.**
USPC **D10/106.1**

(58) **Field of Classification Search**
USPC D10/106.1, 106.2, 106.5; 340/628,
340/693.12, 578; 361/679.01; 362/147
See application file for complete search history.

(56) **References Cited**

U.S. PATENT DOCUMENTS

5,710,541 A * 1/1998 Stanley et al. 340/628
6,271,763 B1 * 8/2001 Hur 340/693.12

D636,690 S * 4/2011 Carey et al. D10/106.1
8,254,095 B2 * 8/2012 Carey et al. 361/679.01
8,465,170 B2 * 6/2013 Rong et al. 362/147
2005/0258973 A1 * 11/2005 Black et al. 340/628
2010/0073172 A1 * 3/2010 Lax 340/578

* cited by examiner

Primary Examiner — George D Kirschbaum

(74) *Attorney, Agent, or Firm* — Renner Kenner Greive
Bobak Taylor & Weber

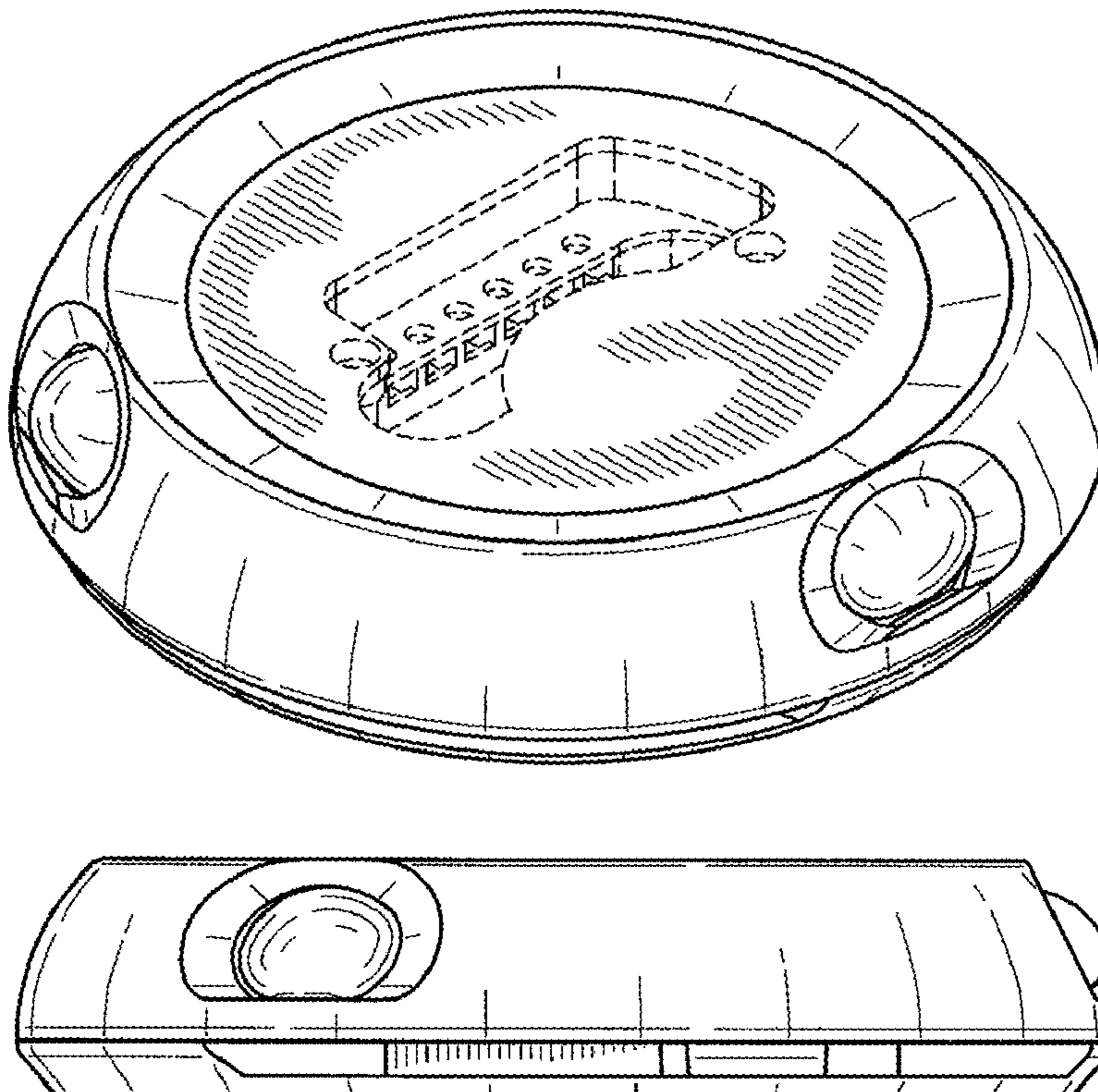
(57) **CLAIM**

The ornamental design for visual alarm device for fire alarm,
as shown and described.

DESCRIPTION

FIG. 1 is a perspective view of a visual alarm device for fire alarm showing my new design;
FIG. 2 is a top plan view thereof;
FIG. 3 is a bottom plan view thereof;
FIG. 4 is a front view thereof;
FIG. 5 is a rear view thereof; and,
FIG. 6 is a side view, wherein the opposite side view is a minor image thereof.
The broken lines shown in the drawings represent portions of the visual alarm device for fire alarm that form no part of the claimed design.

1 Claim, 3 Drawing Sheets



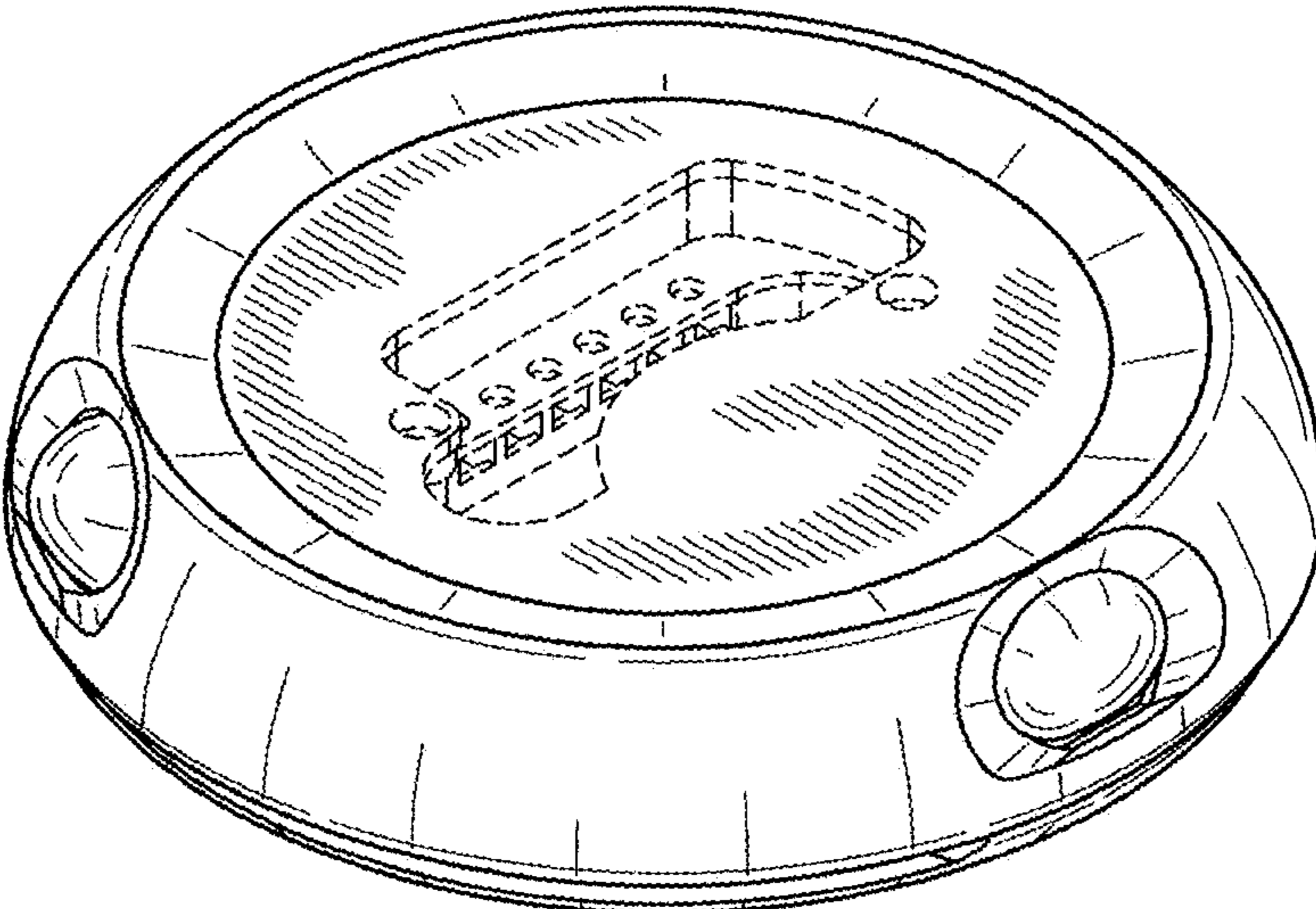


FIG-1

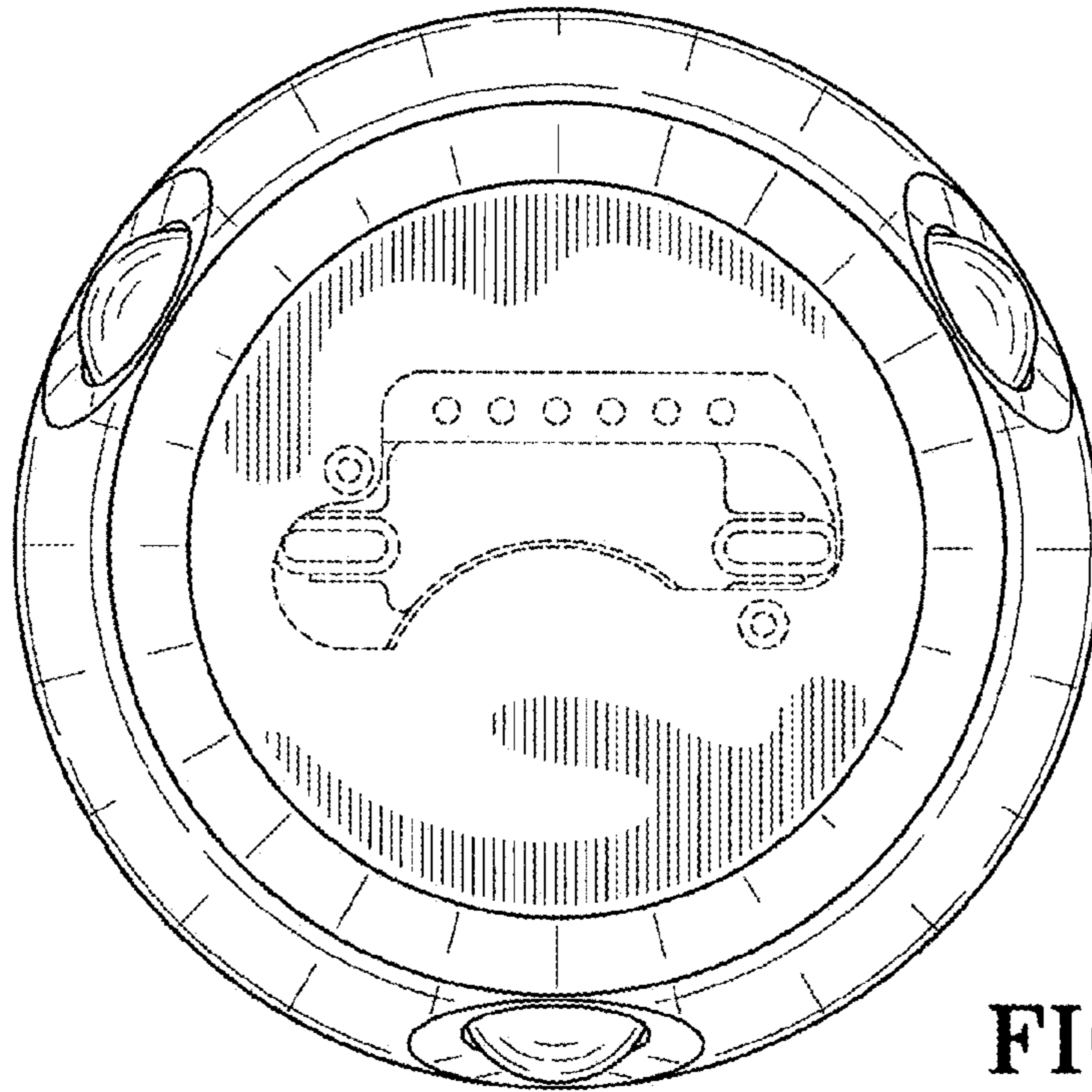


FIG-2

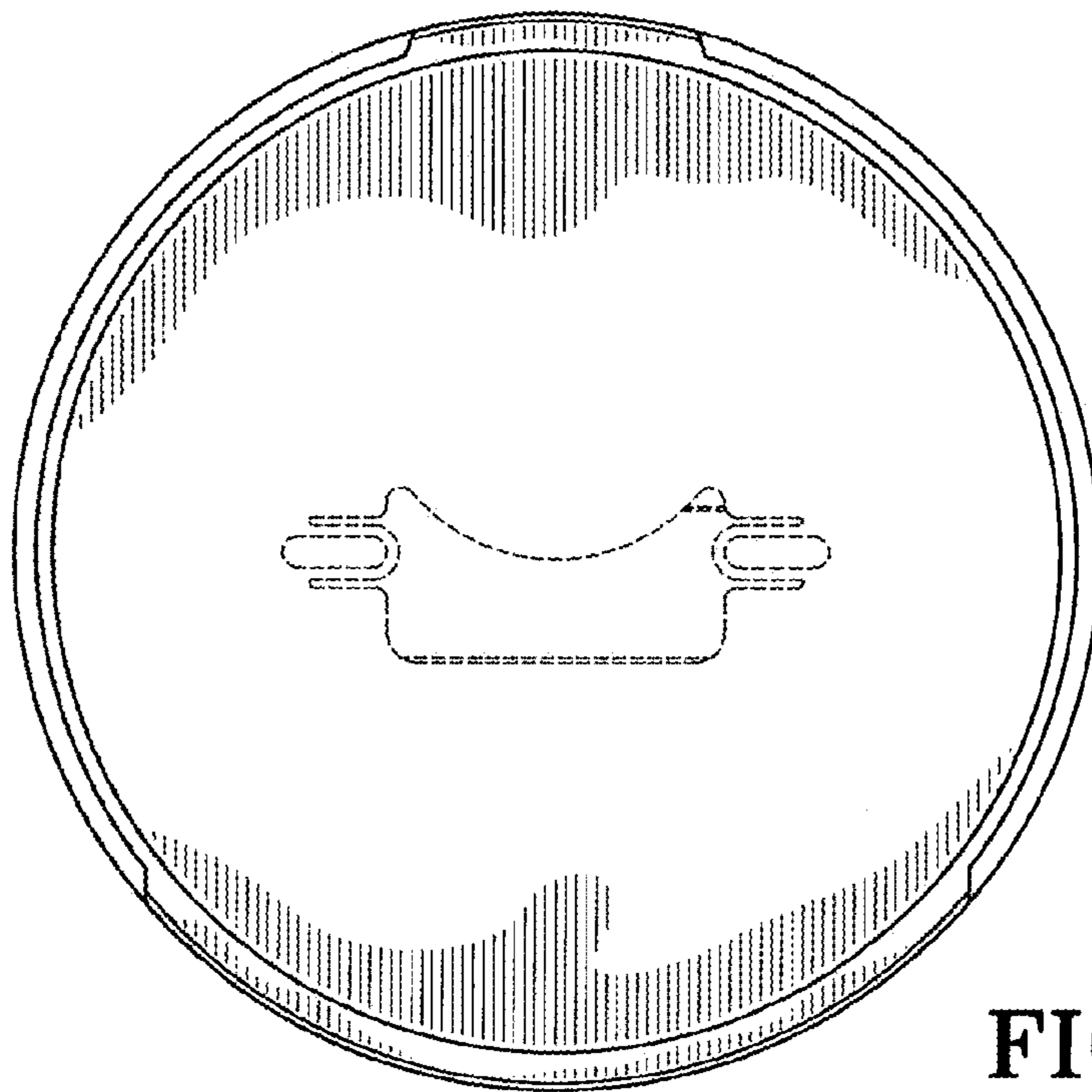


FIG-3

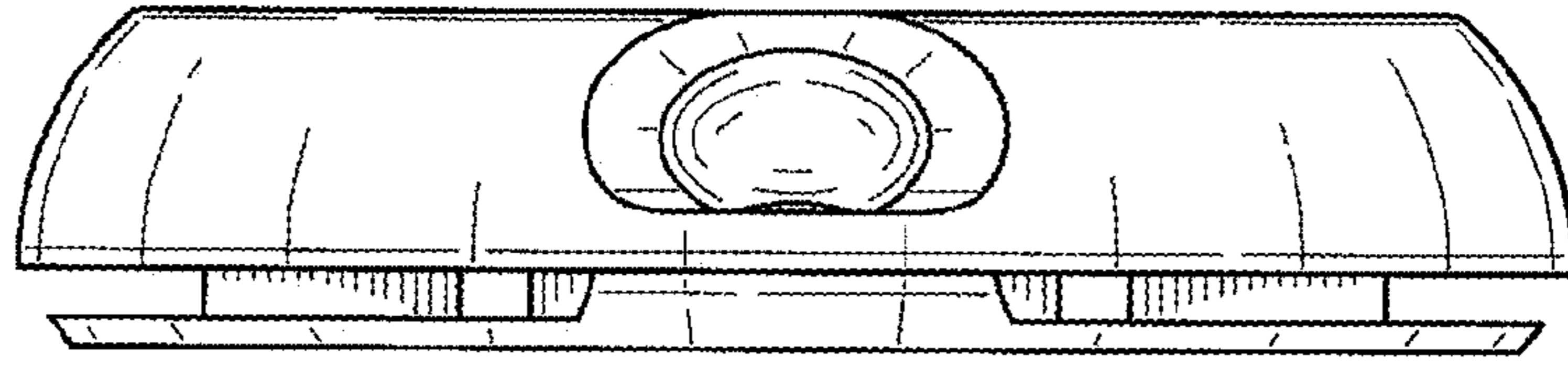


FIG-4

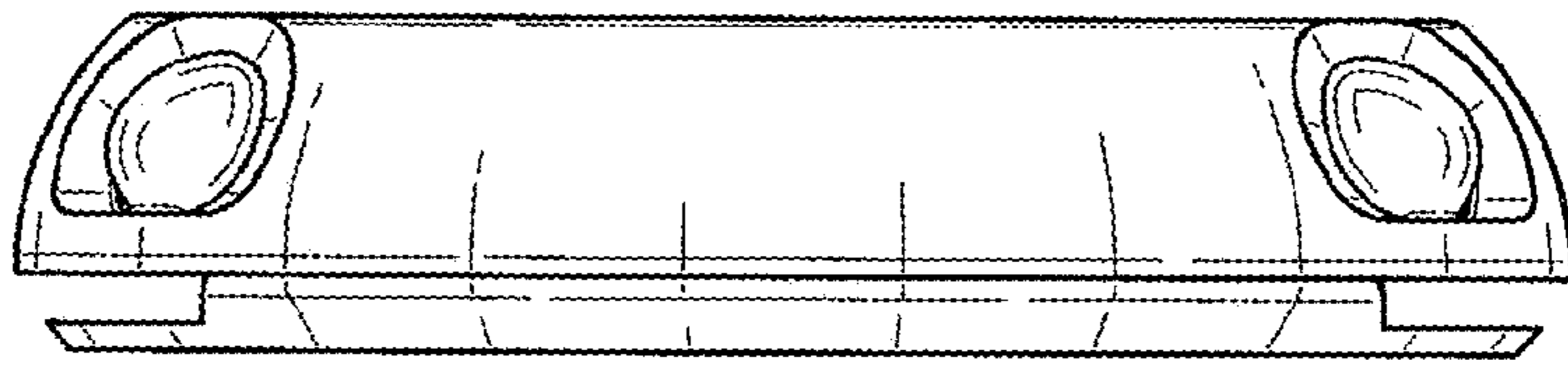


FIG-5

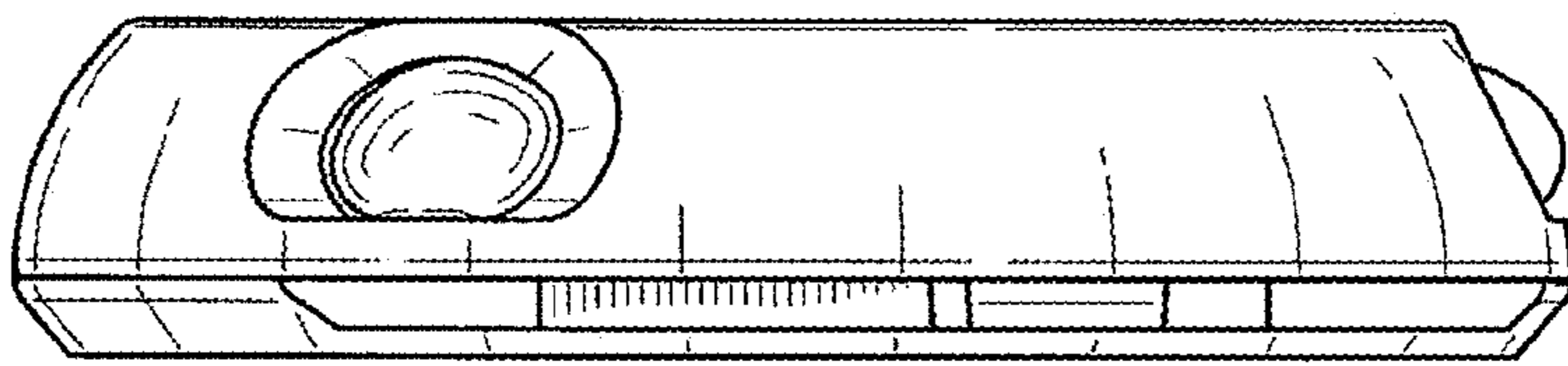


FIG-6