



US00D707577S

(12) **United States Design Patent**
Marx et al.

(10) **Patent No.:** **US D707,577 S**
(45) **Date of Patent:** **** Jun. 24, 2014**

(54) **CONDUCTIVITY SENSOR**

(75) Inventors: **Matthias Marx**, Mutlangen (DE);
Heinrich Hensler, Schwaebisch
Gmuend (DE); **Martin Schultheiss**,
Schwaebisch Gmuend (DE)
(73) Assignee: **Endress + Hauser Conducta**
Gesellschaft für Mess- und
Regeltechnik mbH + KG, Gerlingen
(DE)

(**) Term: **14 Years**

(21) Appl. No.: **29/432,236**

(22) Filed: **Sep. 14, 2012**

(30) **Foreign Application Priority Data**

Mar. 16, 2012 (EM) 002009738

(51) **LOC (10) Cl.** **10-04**

(52) **U.S. Cl.**
USPC **D10/96**

(58) **Field of Classification Search**
USPC D10/75, 96; 73/61.43, 61.62, 293;
340/603; 376/247; 702/24, 185
See application file for complete search history.

(56) **References Cited**

U.S. PATENT DOCUMENTS

7,364,553 B2 * 4/2008 Paz et al. 600/543
D628,106 S * 11/2010 Kabaya D10/96

* cited by examiner

Primary Examiner — Antoine D Davis

(74) *Attorney, Agent, or Firm* — Bacon & Thomas, PLLC

(57) **CLAIM**

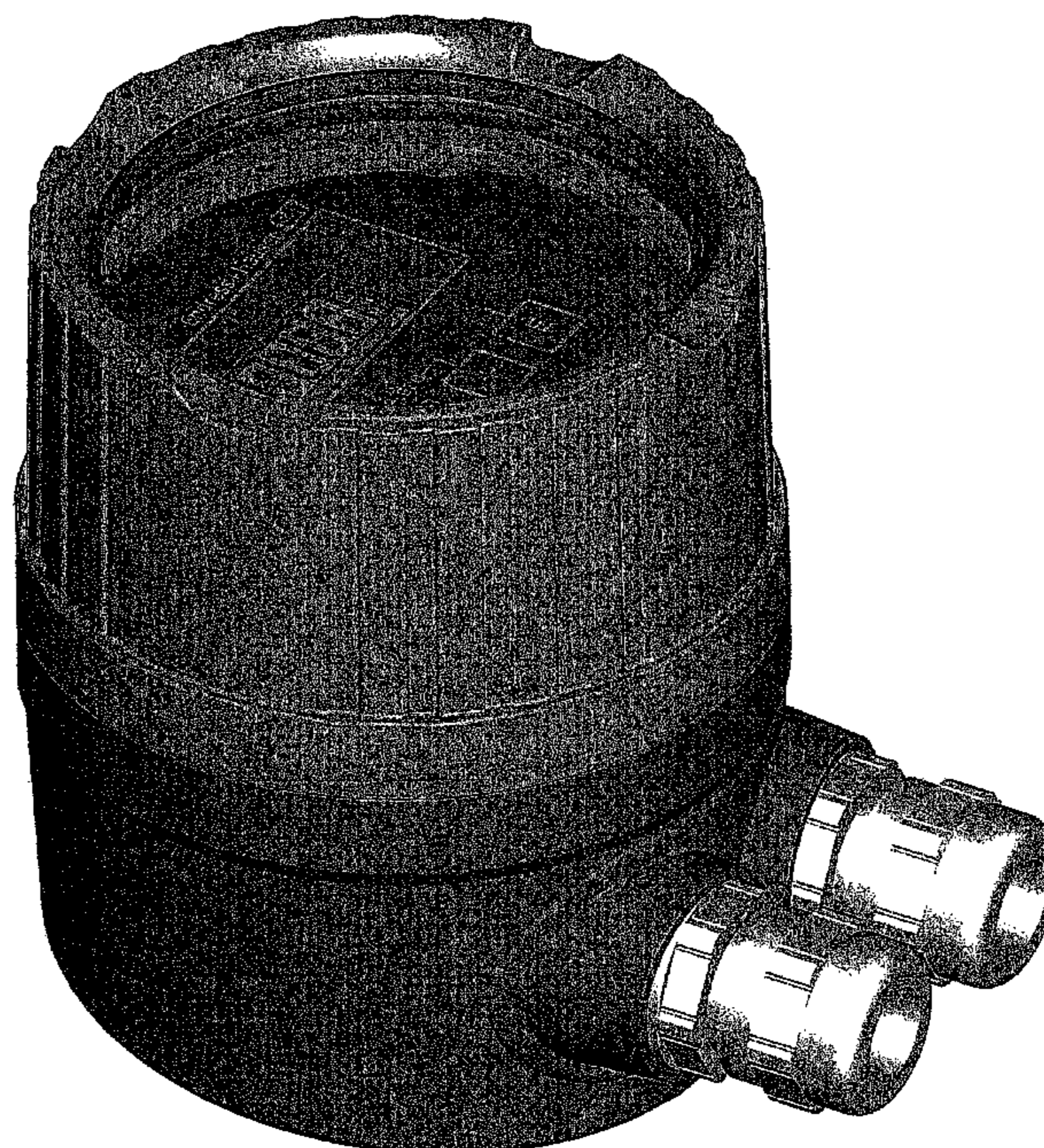
The ornamental design of a conductivity sensor, as shown and described.

DESCRIPTION

FIG. 1 is a perspective view in elevation of one variant of the assembled conductivity sensor according to our invention; FIG. 2 is a top view of the conductivity sensor shown in FIG. 1; FIG. 3 is a side view of the conductivity sensor shown in FIG. 1; FIG. 4 is a front view of the conductivity sensor shown in FIG. 1; FIG. 5 is a perspective view in elevation of another variant of the assembled conductivity sensor according to our invention; FIG. 6 is a top view of the conductivity sensor shown in FIG. 5; FIG. 7 is a side view of the conductivity sensor shown in FIG. 5; and, FIG. 8 is a front view of the conductivity sensor shown in FIG. 5.

The designations EH show in FIGS. 1, 2, 5 and 6 is a registered Trademark of the Endress + Hauser Group of Companies. It refers in this application to the conductive sensor as shown and the internal electronics of the conductive sensor.

1 Claim, 8 Drawing Sheets



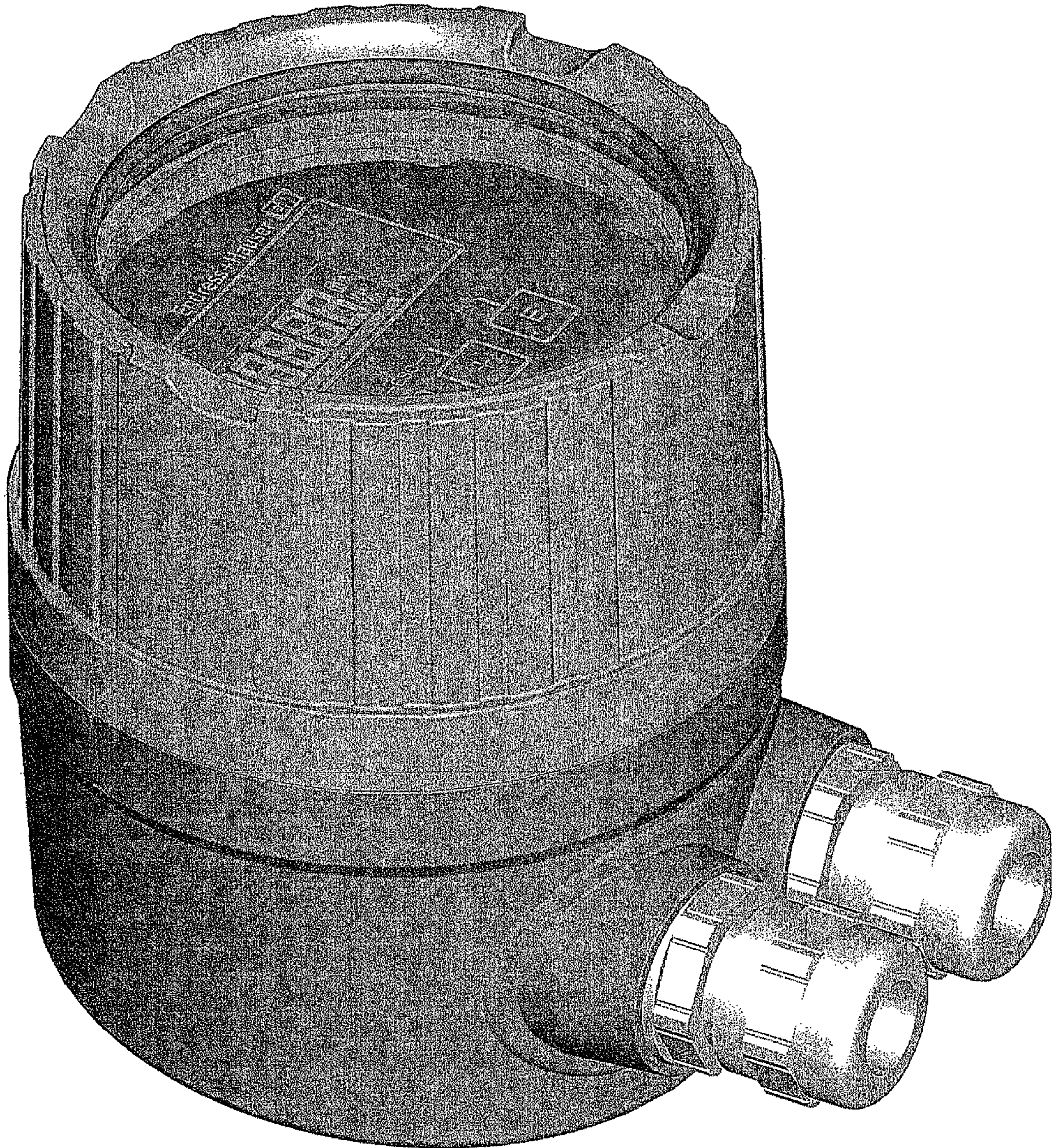


Fig. 1

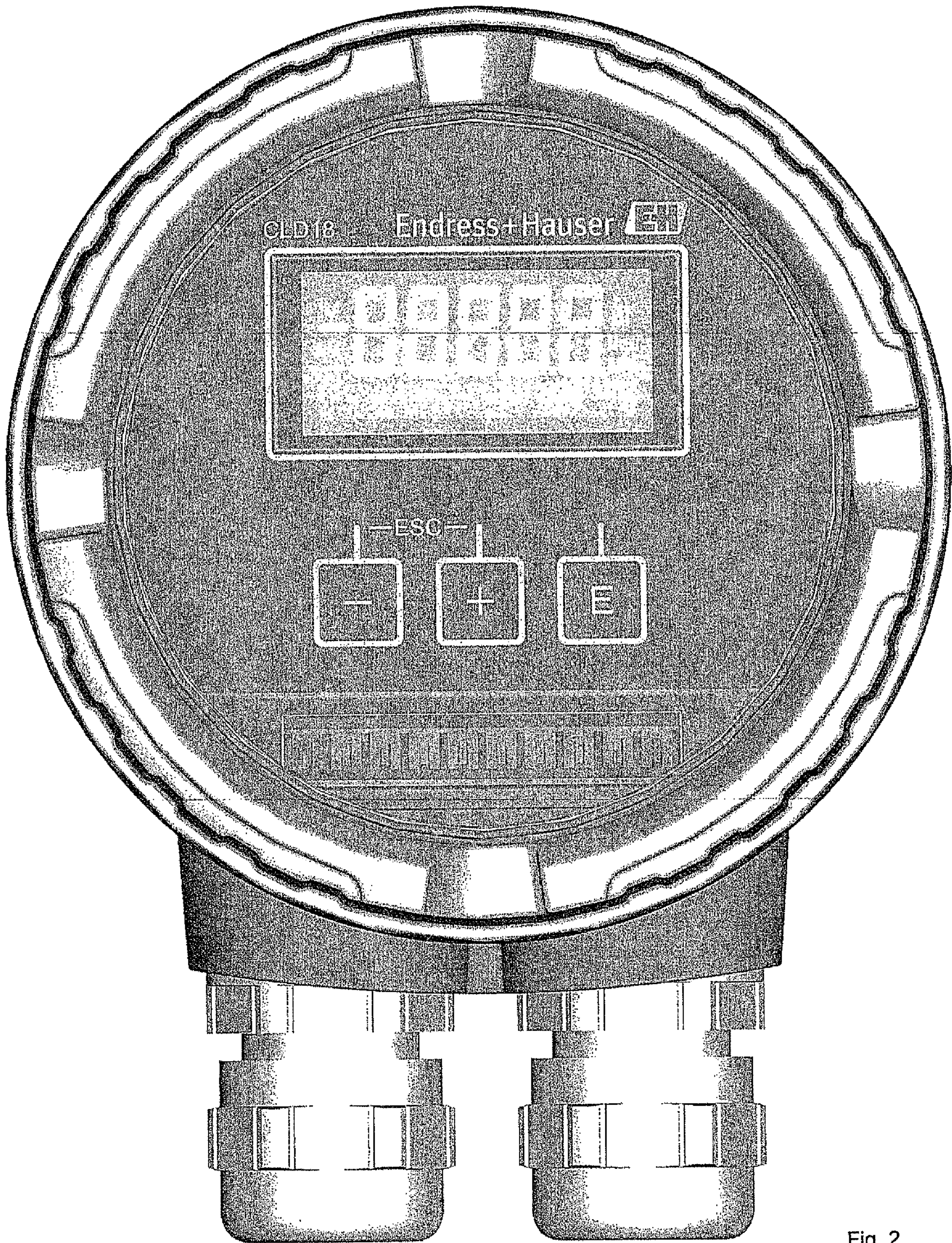


Fig. 2

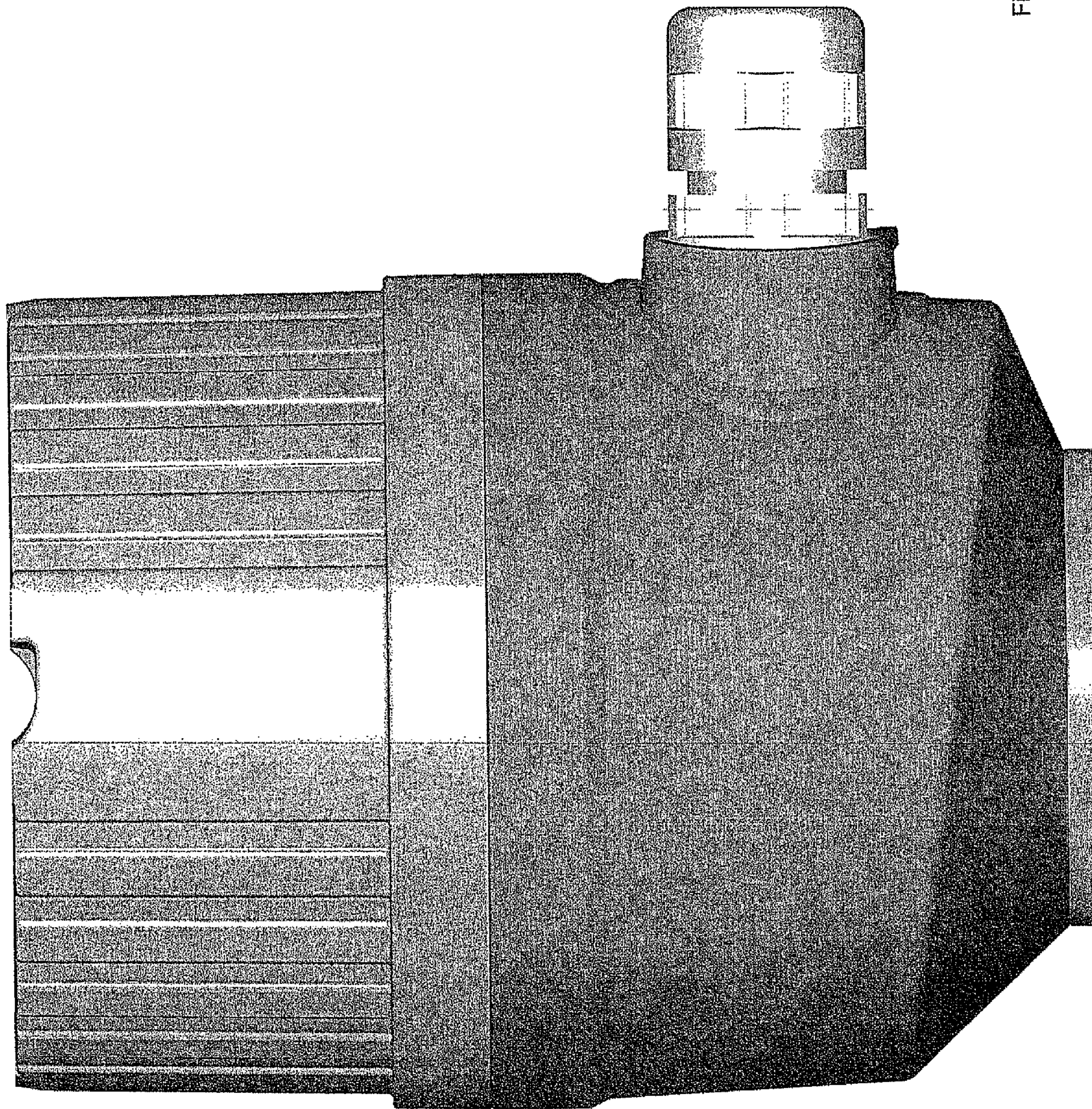


Fig. 3

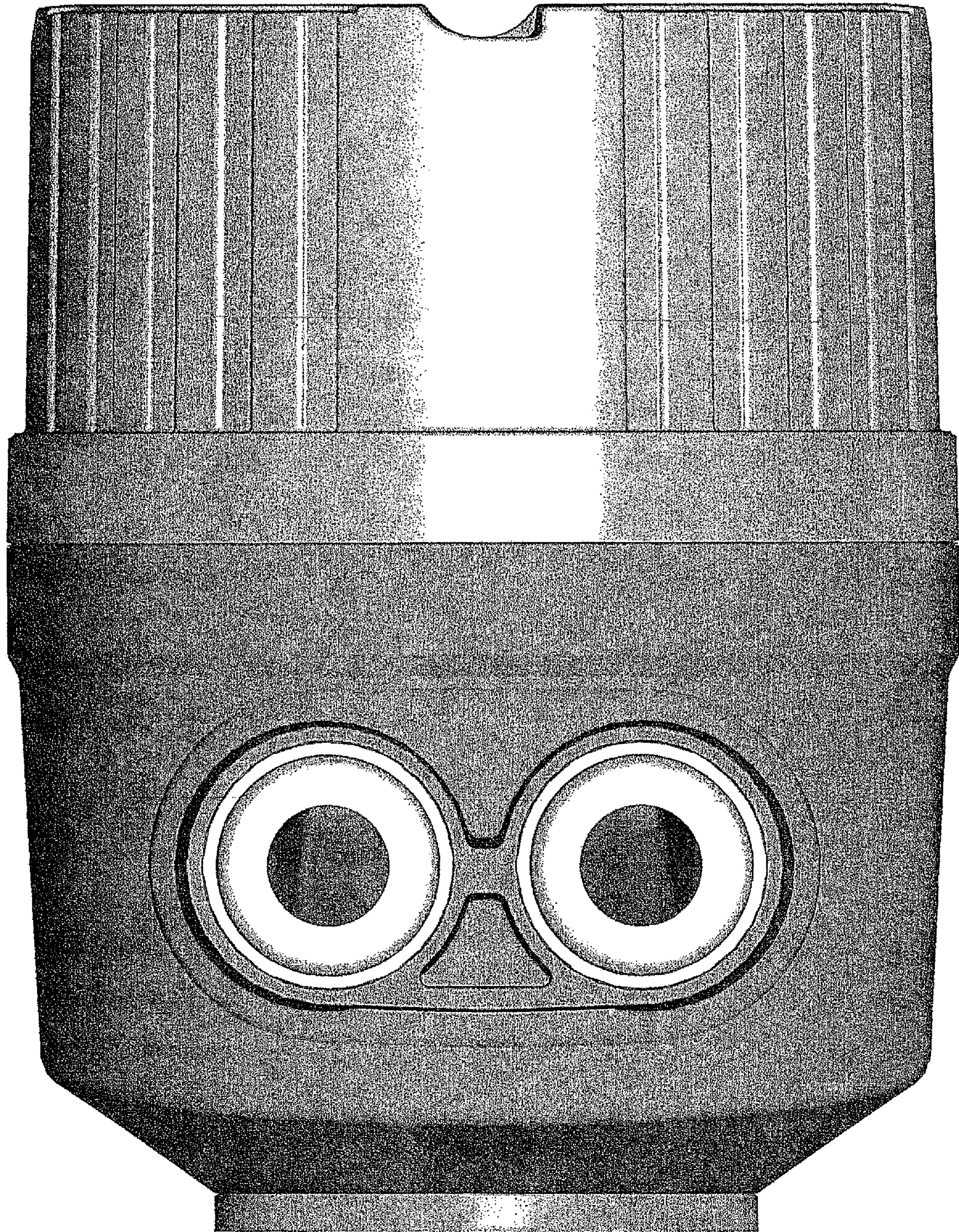


Fig. 4

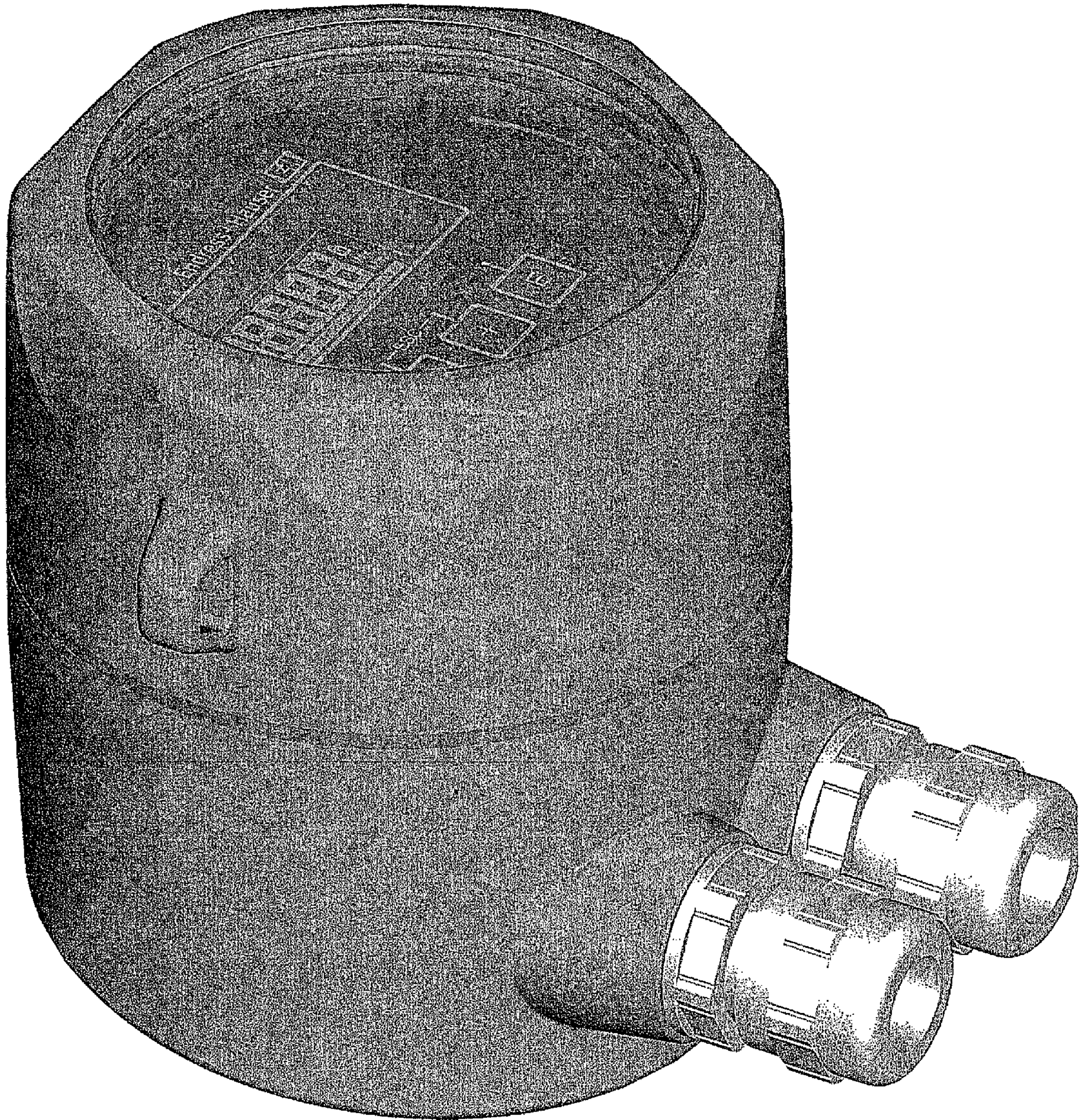


Fig. 5

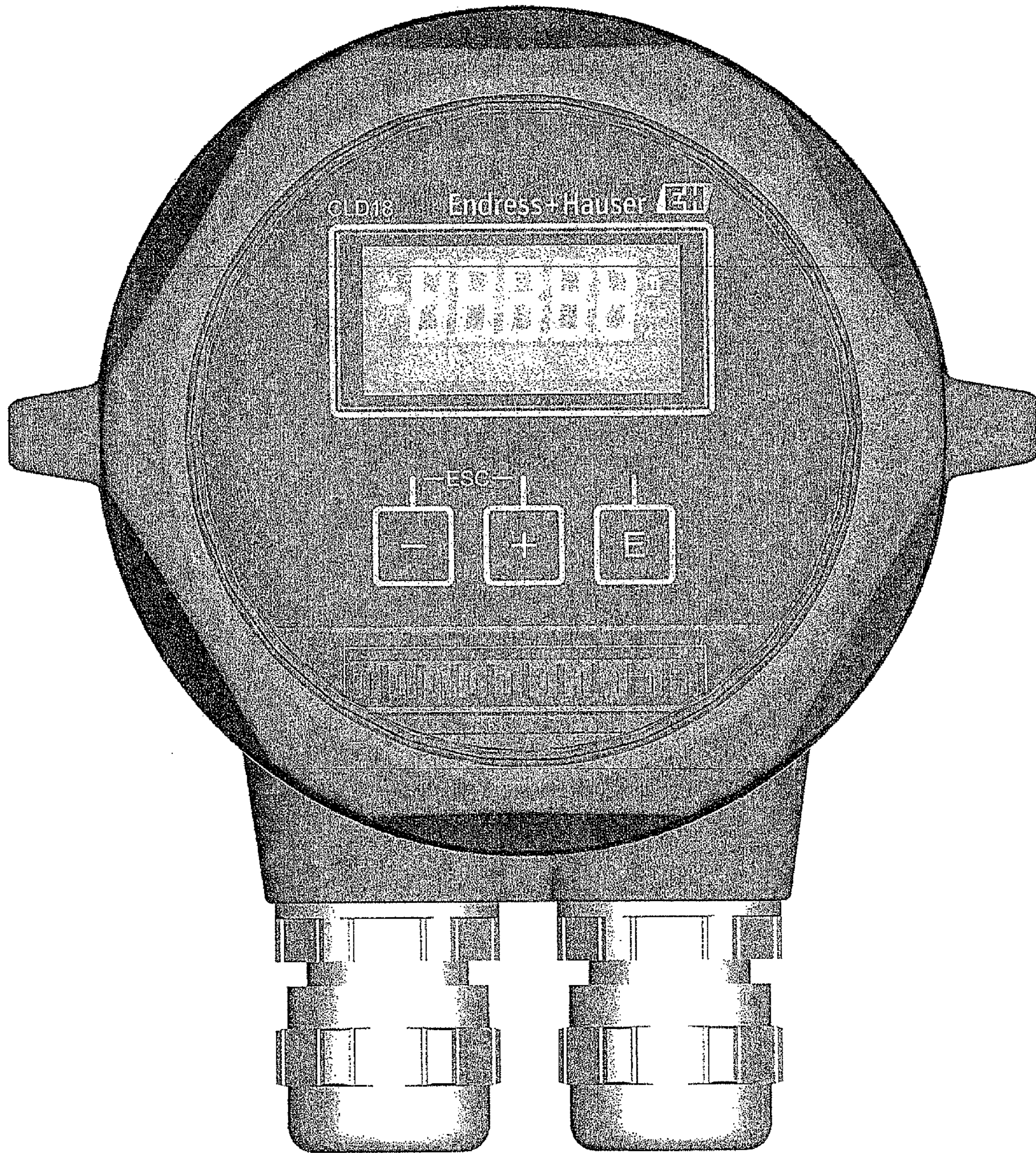


Fig. 6

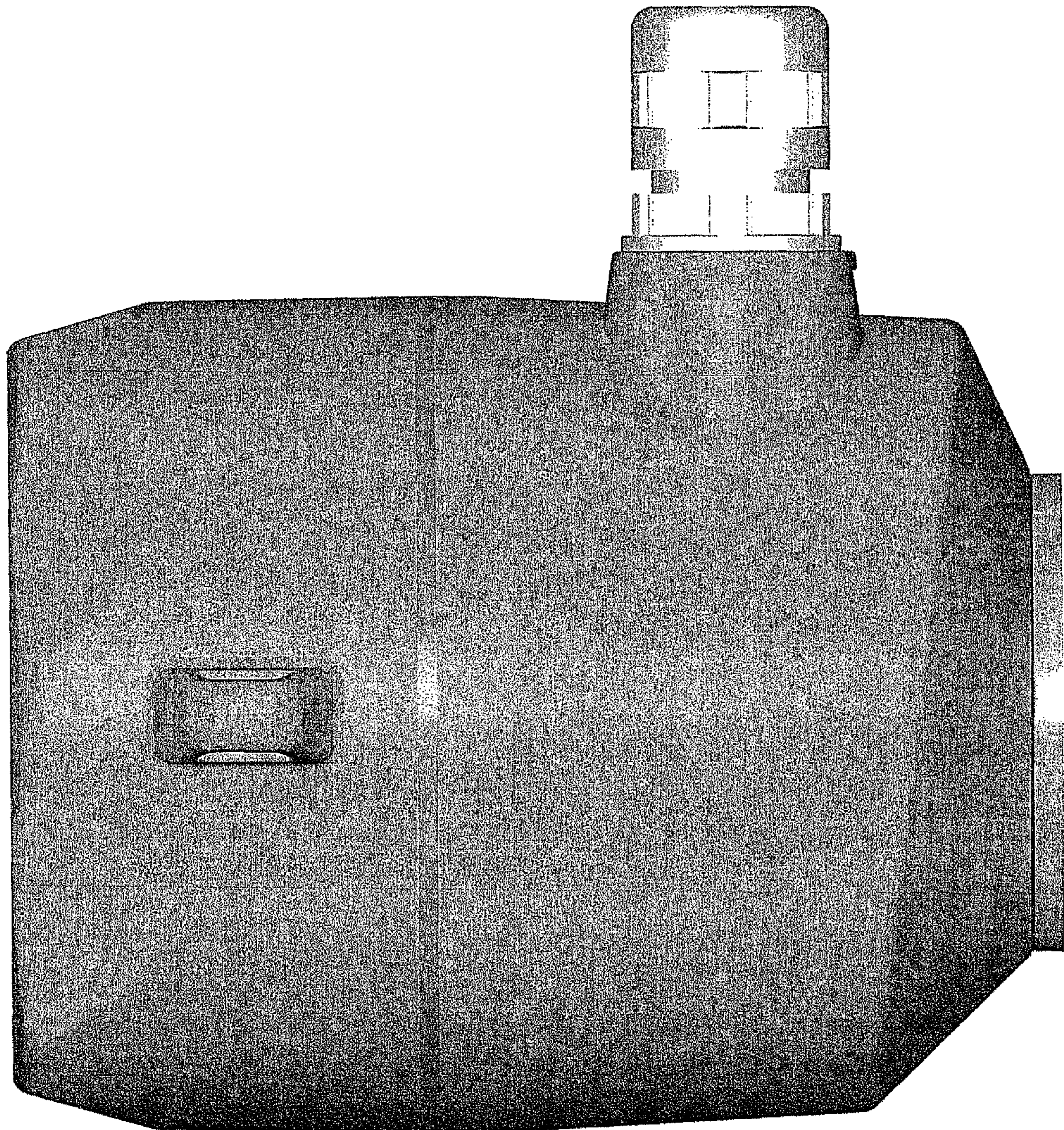


Fig. 7

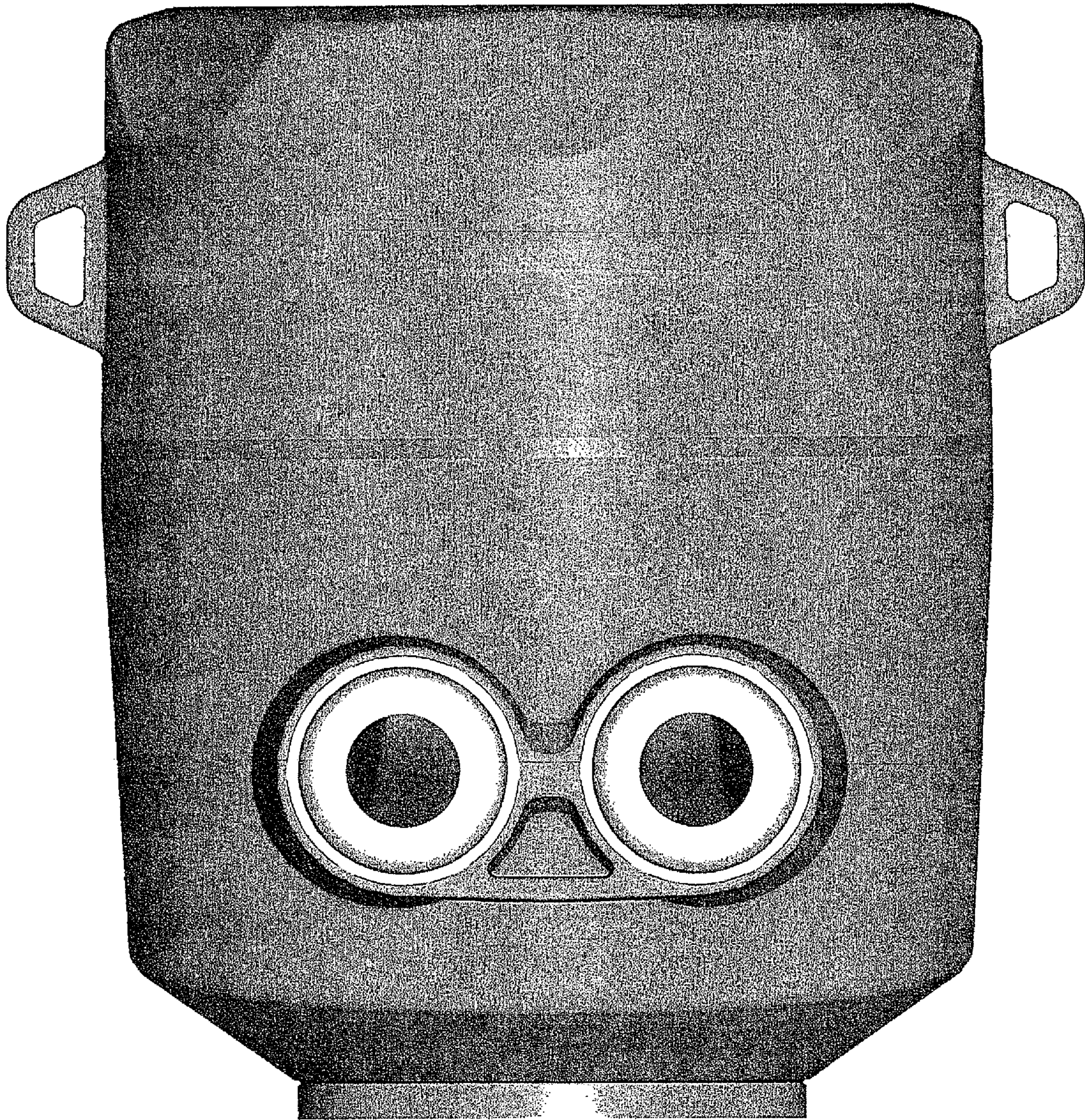


Fig. 8