



US00D707573S

(12) **United States Design Patent**  
**Mille**

(10) **Patent No.:** **US D707,573 S**  
(45) **Date of Patent:** **\*\* Jun. 24, 2014**

(54) **WATCH**

(75) **Inventor:** **Richard Mille, Moulins (FR)**

(73) **Assignee:** **Turlen Holding SA, Soyhieres (CH)**

(\*\*) **Term:** **14 Years**

(21) **Appl. No.:** **29/425,302**

(22) **Filed:** **Jun. 21, 2012**

(30) **Foreign Application Priority Data**

Dec. 22, 2011 (WO) ..... DM/077 607

(51) **LOC (10) CL.** ..... **10-02**

(52) **U.S. CL.**  
USPC ..... **D10/39**

(58) **Field of Classification Search**  
USPC ..... D10/30-39, 122-132; 368/276, 281,  
368/282, 285, 223, 228, 232, 80, 10, 11, 14  
See application file for complete search history.

(56) **References Cited**

**U.S. PATENT DOCUMENTS**

3,475,902	A *	11/1969	Wessel	.....	368/10
3,740,944	A *	6/1973	Chopard	.....	368/281
3,901,023	A *	8/1975	Uebelhardt	.....	368/281
D321,145	S *	10/1991	Takahashi	.....	D10/39
D336,440	S *	6/1993	Favre	.....	D10/32
5,220,541	A *	6/1993	Vuilleumier	.....	368/88
5,430,692	A *	7/1995	Grupp et al.	.....	368/11
5,742,565	A *	4/1998	Cuinet et al.	.....	368/190
D412,122	S *	7/1999	Yamamoto	.....	D10/30
6,144,619	A *	11/2000	Reisman	.....	368/10

6,754,137	B1 *	6/2004	Bourquin et al.	.....	368/11
D530,628	S *	10/2006	Raffy	.....	D10/32
7,242,639	B2 *	7/2007	Blondeau et al.	.....	368/11
D568,180	S *	5/2008	Laucella	.....	D10/39
7,466,633	B2 *	12/2008	Giauque et al.	.....	368/11
D594,351	S *	6/2009	Tonohori	.....	D10/32
7,782,714	B2 *	8/2010	El Kadiri	.....	368/14
D646,589	S *	10/2011	Mille	.....	D10/39
D648,639	S *	11/2011	Mille	.....	D10/39
D658,511	S *	5/2012	Wai Kei	.....	D10/32
D678,082	S *	3/2013	Mille	.....	D10/39
D691,902	S *	10/2013	Mille	.....	D10/39
D693,245	S *	11/2013	Mille	.....	D10/39

\* cited by examiner

*Primary Examiner* — Lucy Lieberman

(74) *Attorney, Agent, or Firm* — Donald J. Ranft; Collen IP

(57) **CLAIM**

The ornamental design for a watch, as shown and described.

**DESCRIPTION**

FIG. 1 is a front perspective view of a watch showing my new design;

FIG. 2 is a rear perspective view thereof;

FIG. 3 is a right side view thereof;

FIG. 4 is a left side view thereof;

FIG. 5 is a bottom view thereof;

FIG. 6 is a top view thereof;

FIG. 7 is a front view thereof; and,

FIG. 8 is rear view thereof.

The portions of the watch shown in broken lines form no part of the claimed design.

**1 Claim, 6 Drawing Sheets**

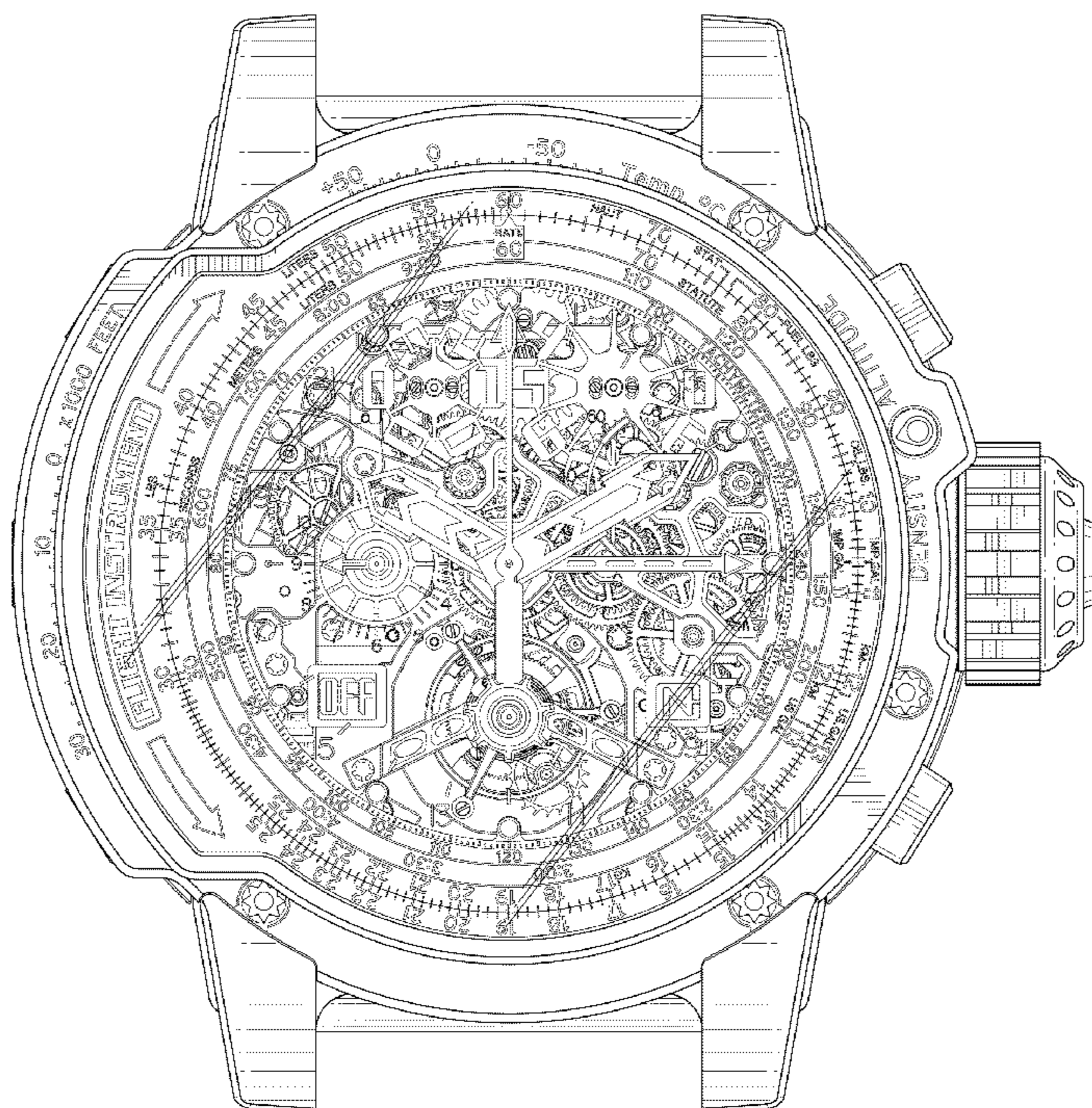




FIG. 1

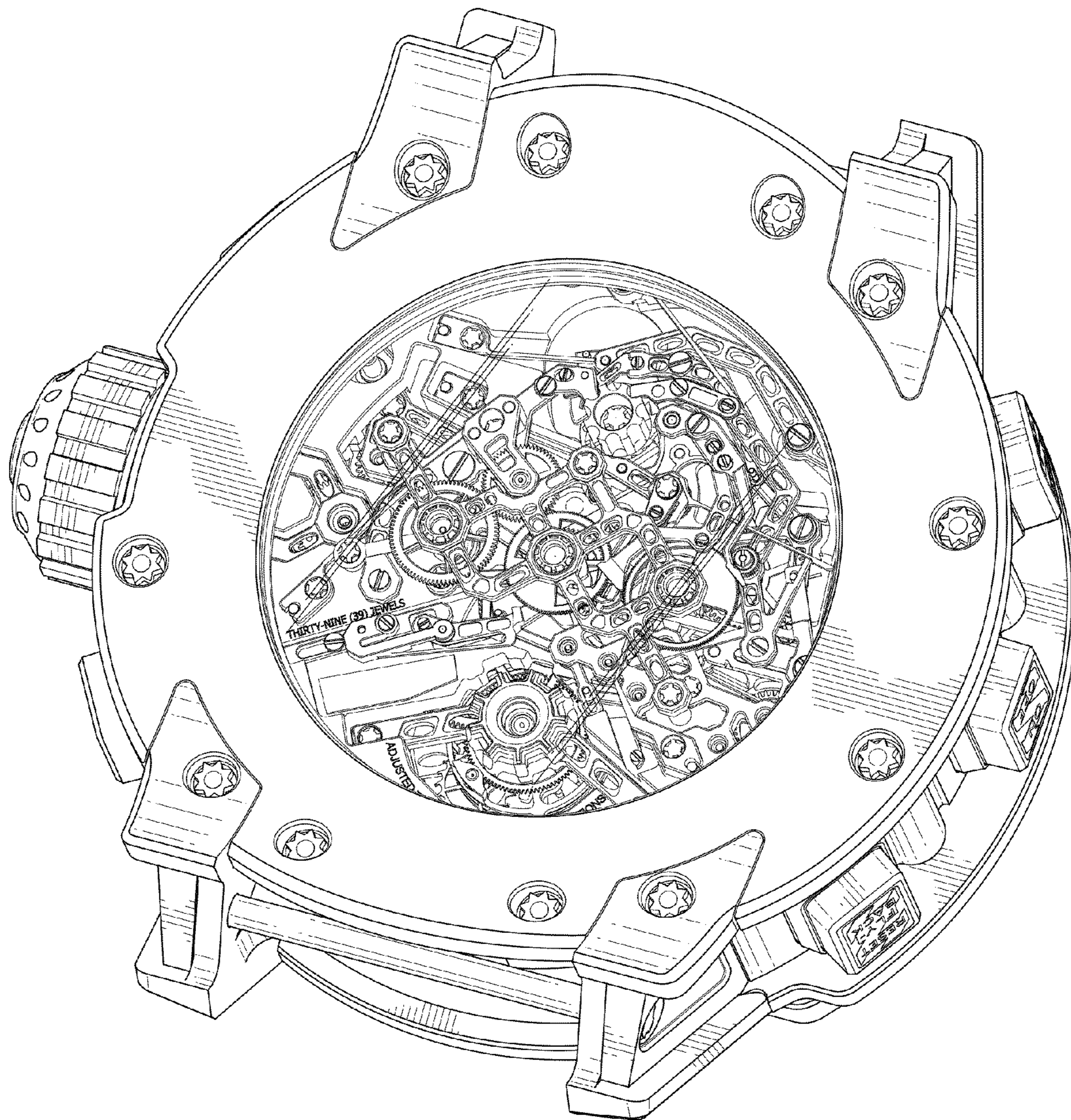


FIG. 2

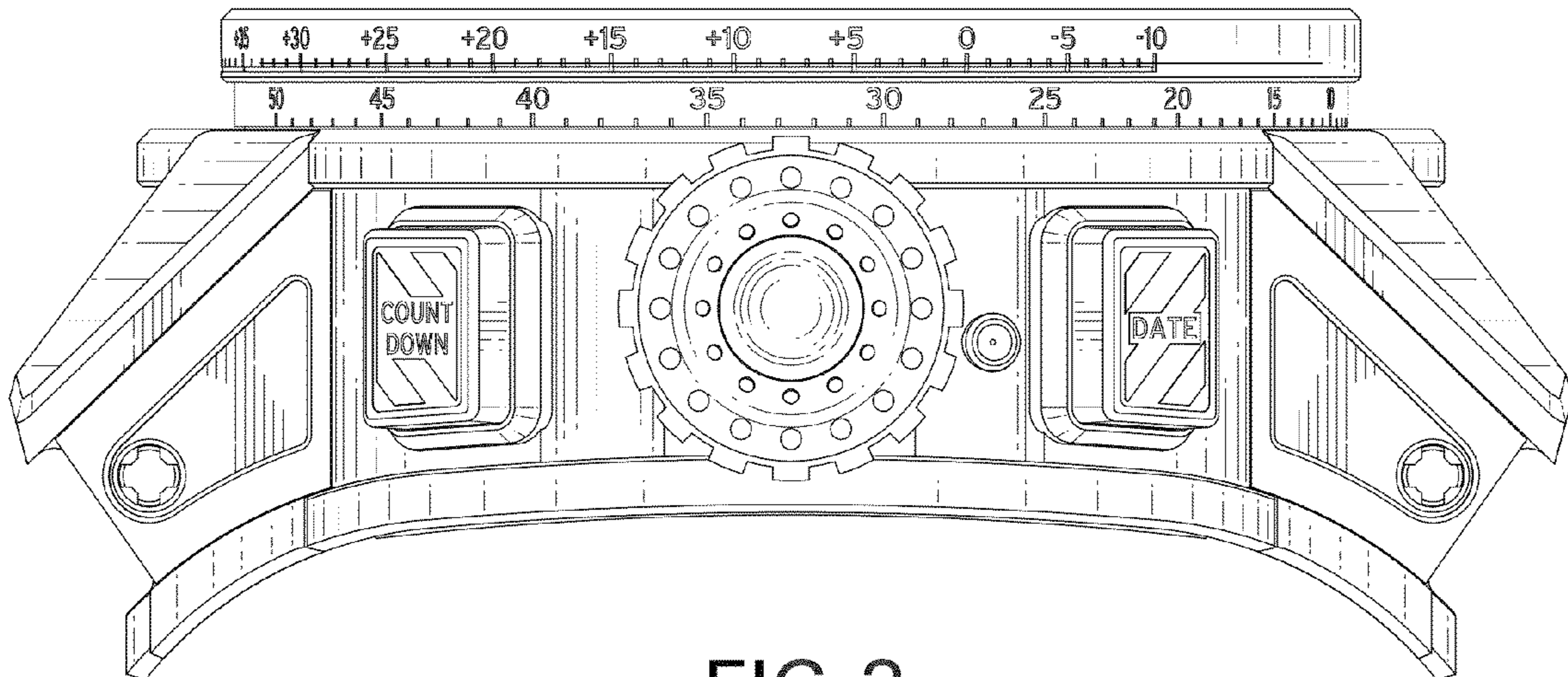


FIG. 3

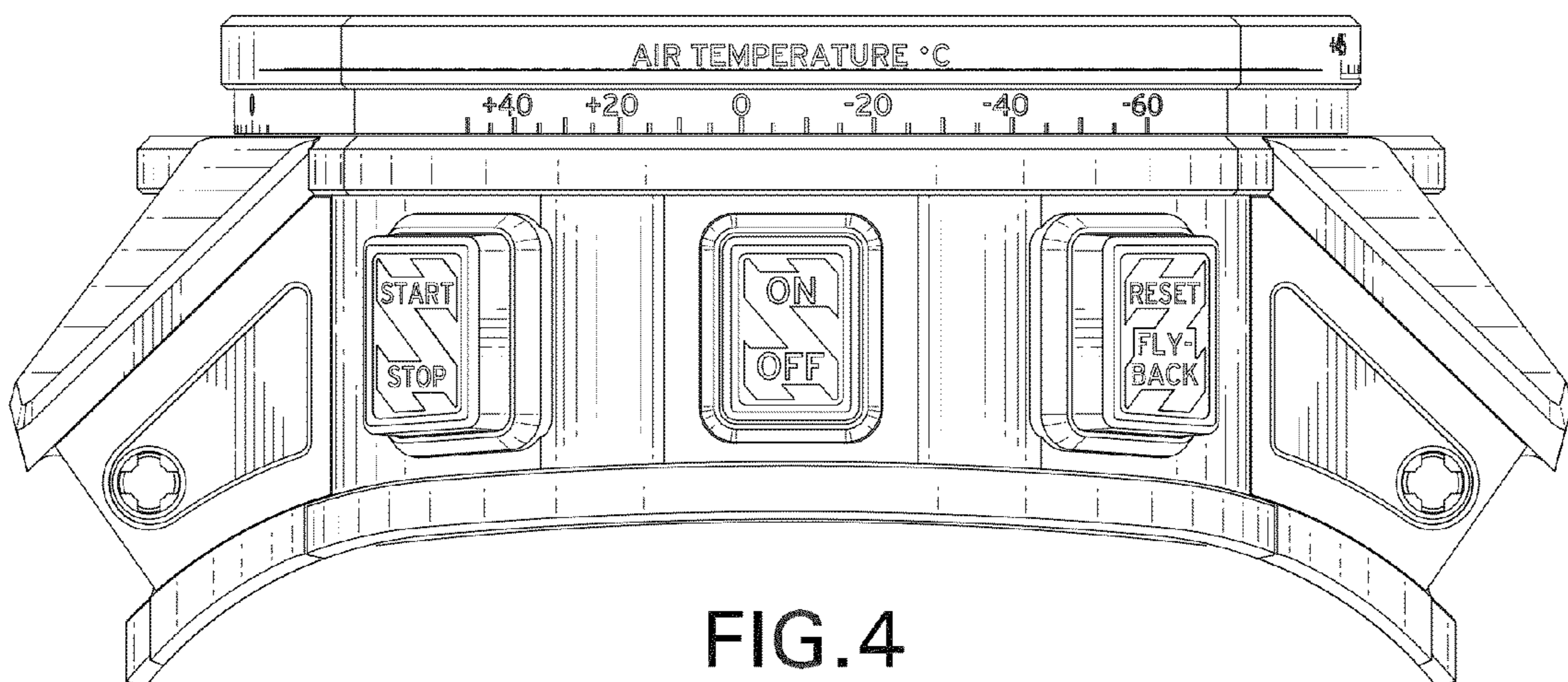


FIG. 4

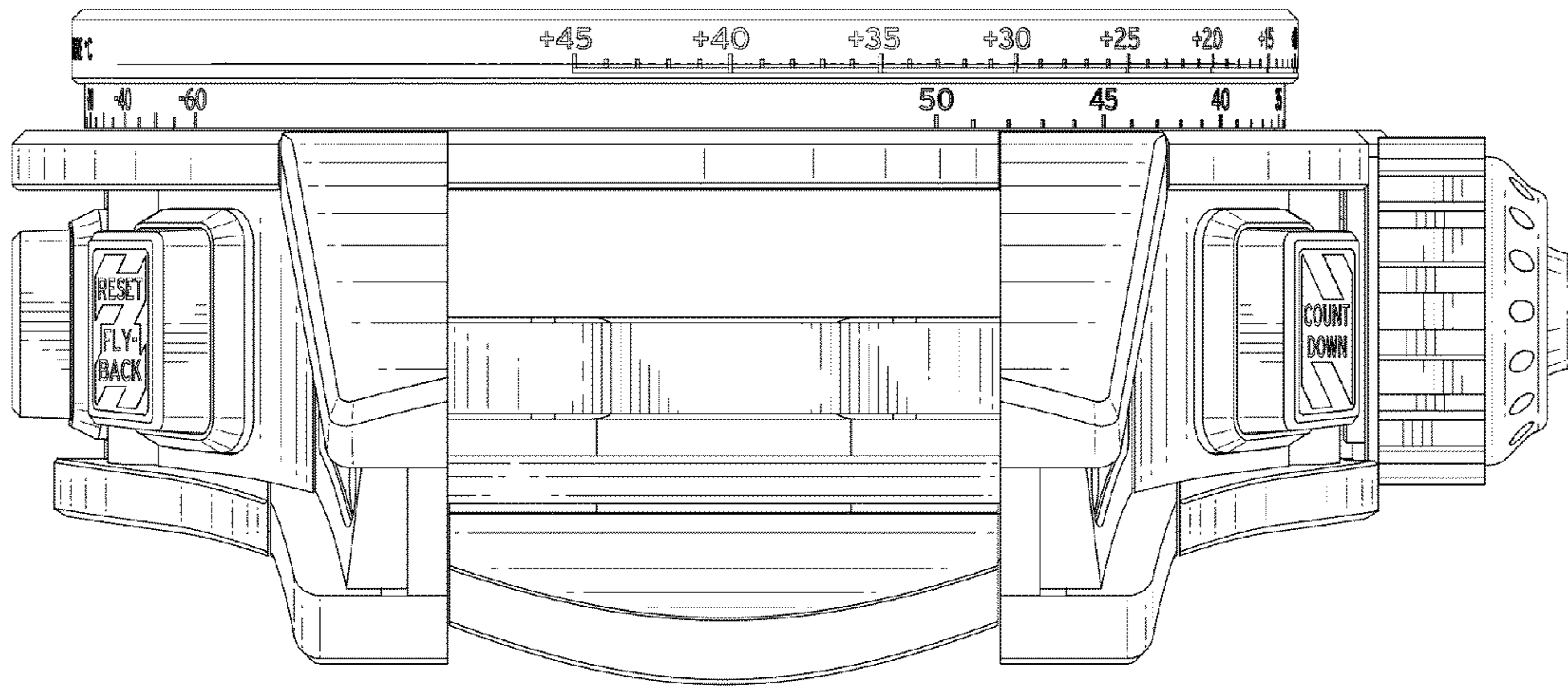


FIG. 5

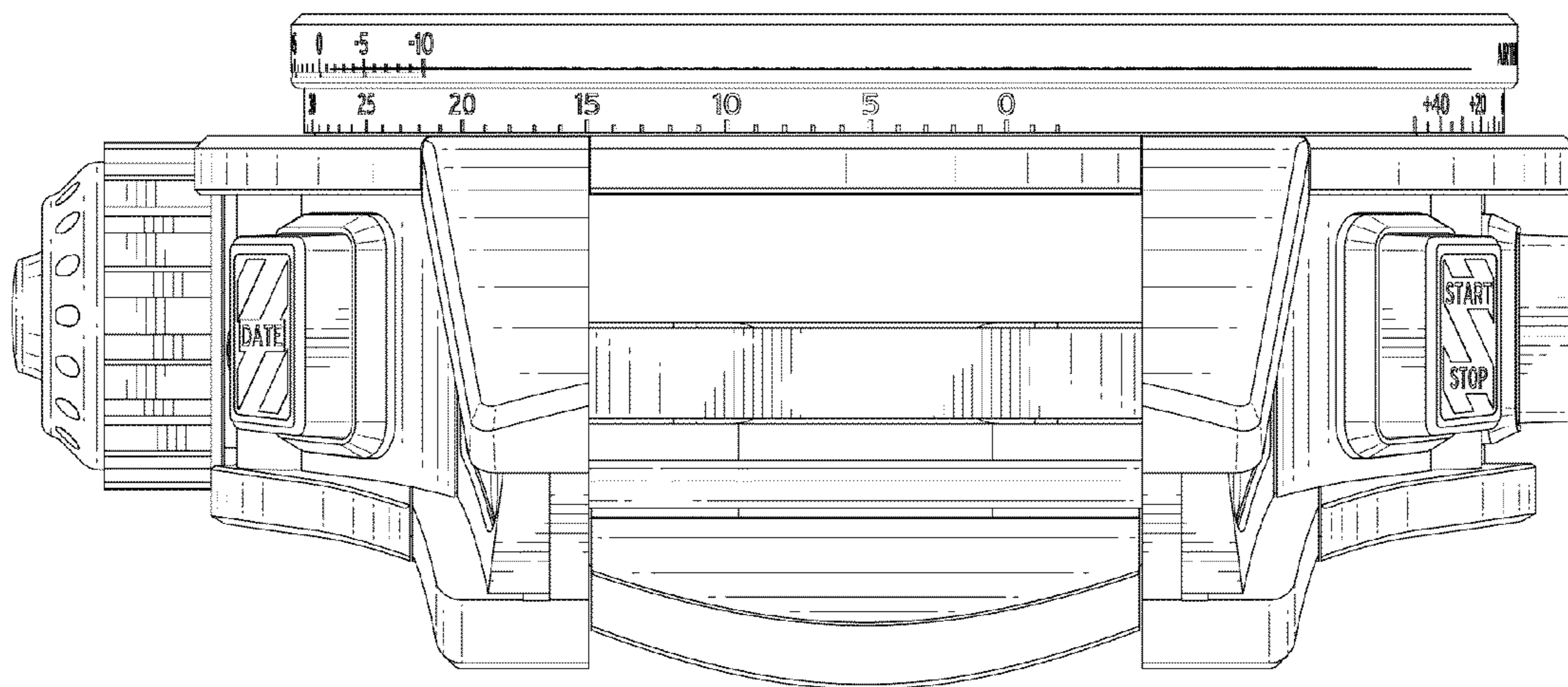


FIG. 6



FIG. 7

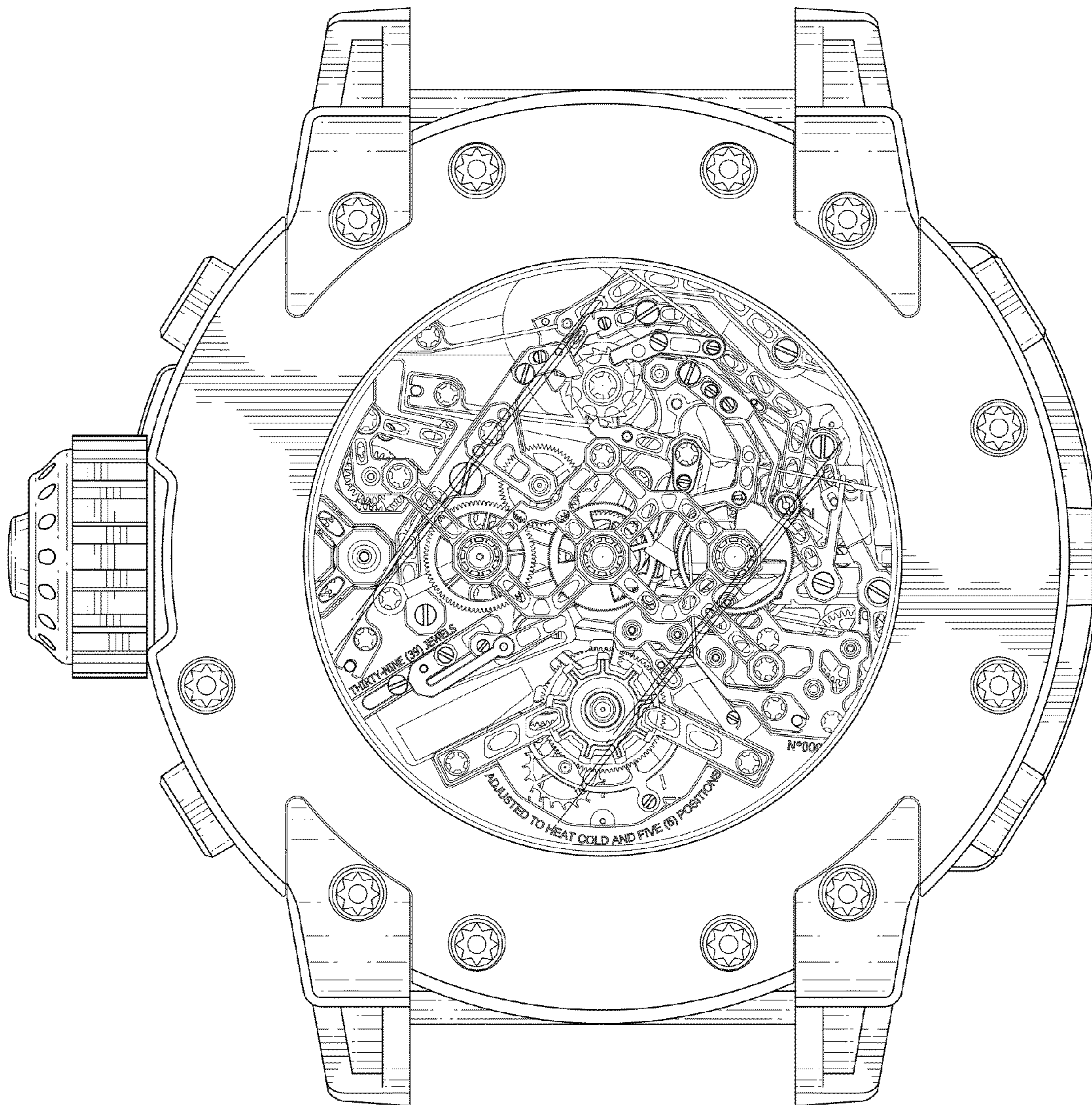


FIG. 8