



US00D707572S

(12) **United States Design Patent**
Calvani

(10) **Patent No.:** **US D707,572 S**
(45) **Date of Patent:** **** *Jun. 24, 2014**

(54) **WATCH**

(75) **Inventor:** **Maria Cristina Calvani**, Coligny (CH)

(73) **Assignee:** **Rolex Watch U.S.A., Inc.**, New York, NY (US)

(*) **Notice:** This patent is subject to a terminal disclaimer.

(**) **Term:** **14 Years**

(21) **Appl. No.:** **29/415,070**

(22) **Filed:** **Mar. 7, 2012**

(30) **Foreign Application Priority Data**

Nov. 3, 2011 (CH) 138387

(51) **LOC (10) Cl.** **10-02**

(52) **U.S. Cl.**
USPC **D10/39**

(58) **Field of Classification Search**
USPC D10/30-39, 122-132; 368/276, 281, 368/282, 223, 228, 232, 80, 294, 295
See application file for complete search history.

(56) **References Cited**

U.S. PATENT DOCUMENTS

D186,180 S * 9/1959 Diamond D10/39
D220,051 S * 3/1971 Gsell D10/39
3,901,023 A * 8/1975 Uebelhardt 368/281
D350,702 S * 9/1994 Schwarz D10/39

D381,584 S * 7/1997 Kennedy D10/30
D401,866 S * 12/1998 Pandel D10/32
D415,694 S * 10/1999 Fichter D10/30
D459,241 S * 6/2002 Bodino D10/32
D493,729 S * 8/2004 Monachon D10/32
D502,880 S * 3/2005 Bernheim D10/32
D520,384 S * 5/2006 Scheufele D10/39
7,307,916 B2 * 12/2007 Vogt et al. 368/21
D579,350 S * 10/2008 Calvani D10/39
D580,290 S * 11/2008 Antifora D10/126
D585,309 S * 1/2009 Monachon D10/39
D590,274 S * 4/2009 Monachon D10/31
D592,080 S * 5/2009 Mijatovic D10/39
D616,782 S * 6/2010 Chastaingt D10/126
D624,442 S * 9/2010 Clerc D10/38
D624,443 S * 9/2010 Cerrato D10/38
D658,517 S * 5/2012 Behling D10/39
D668,573 S * 10/2012 Rabassa D10/126

* cited by examiner

Primary Examiner — Lucy Lieberman

(74) *Attorney, Agent, or Firm* — Sughrue Mion, PLLC

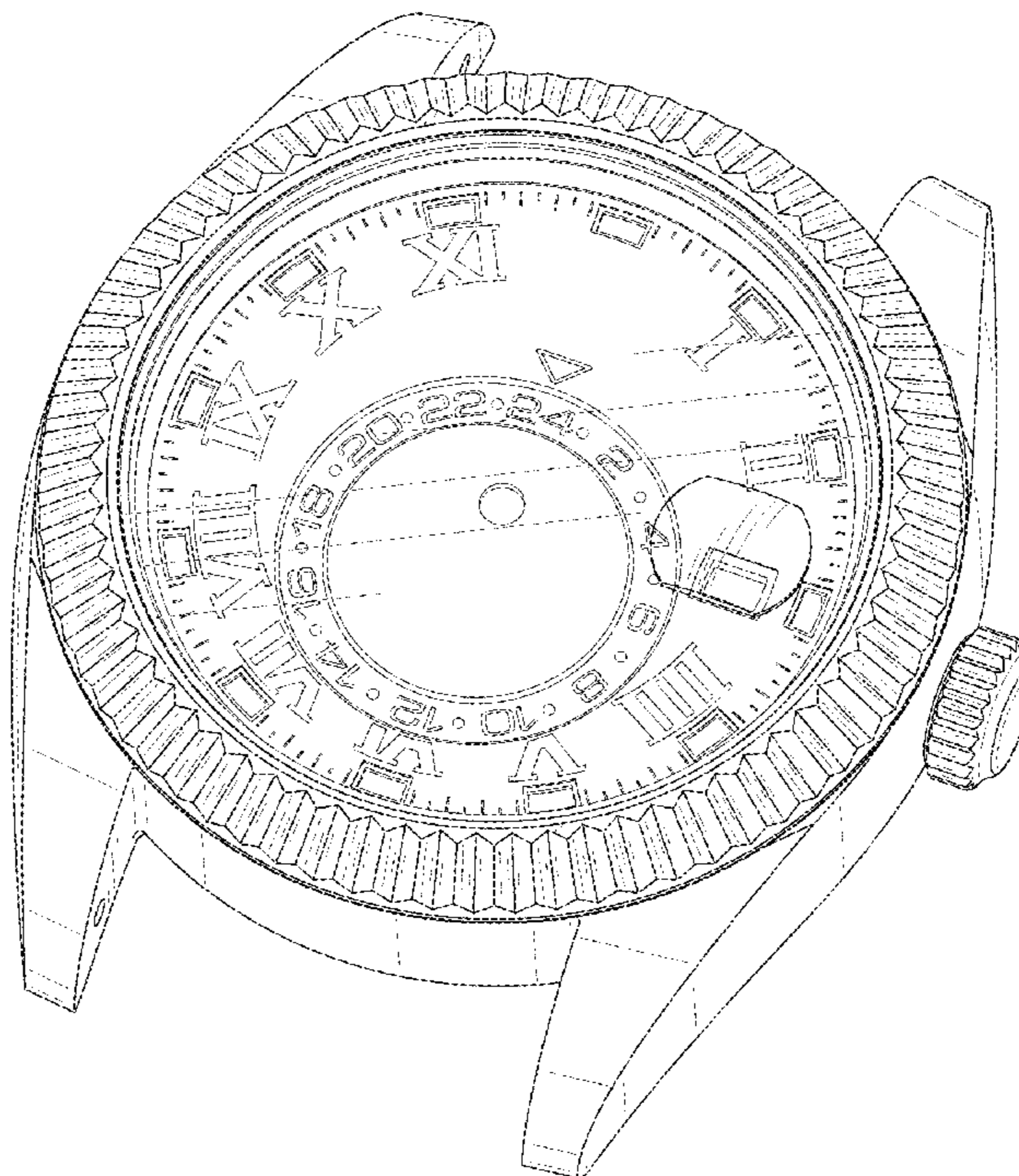
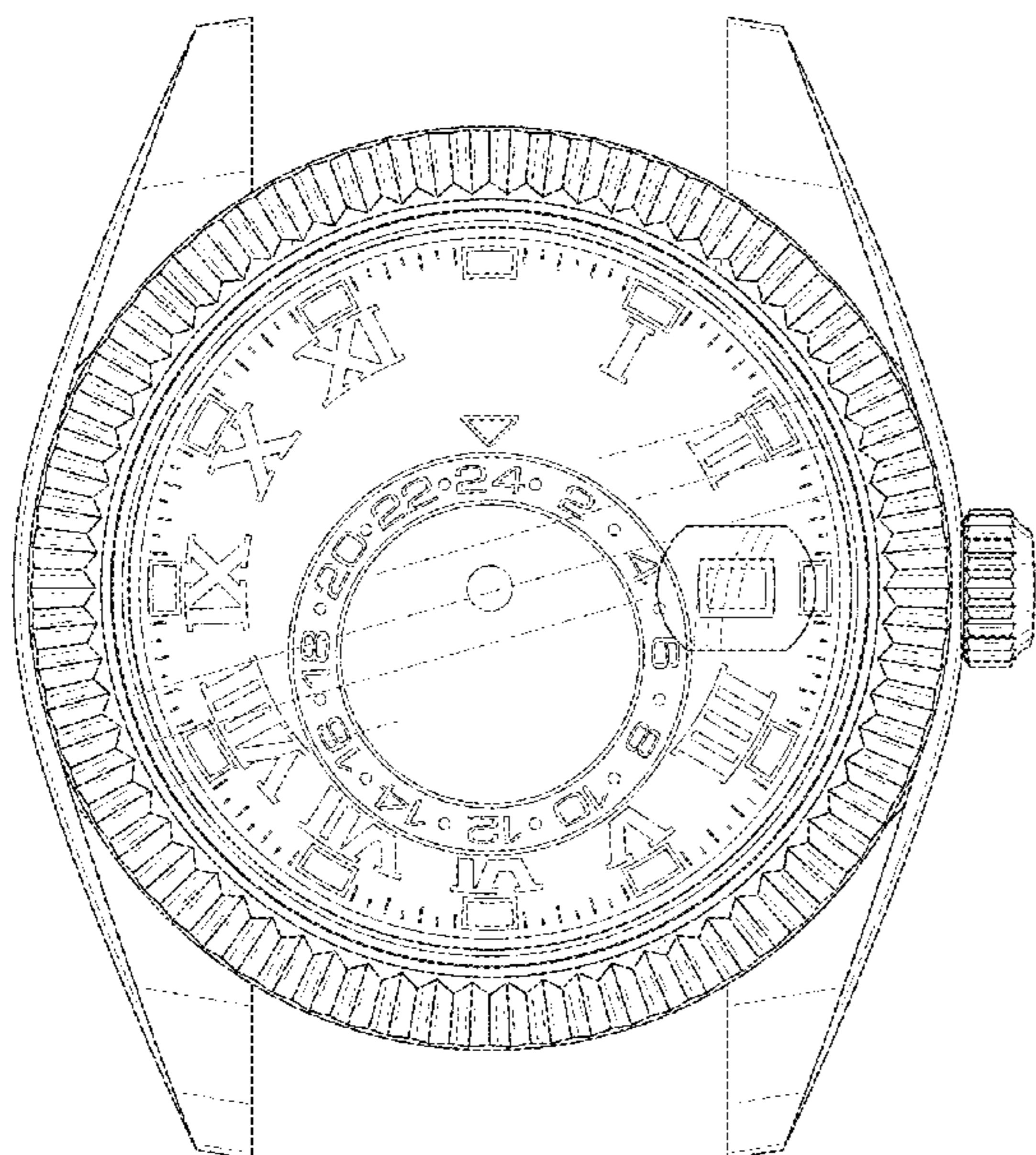
(57) **CLAIM**

The ornamental design for watch, as shown and described.

DESCRIPTION

FIG. 1 is a front elevation of a watch showing my new design;
FIG. 2 is a first side view thereof;
FIG. 3 is a second side view thereof;
FIG. 4 is a front perspective view thereof;
FIG. 5 is a rear view thereof;
FIG. 6 is a third side view thereof; and,
FIG. 7 is a fourth side view thereof.

1 Claim, 5 Drawing Sheets



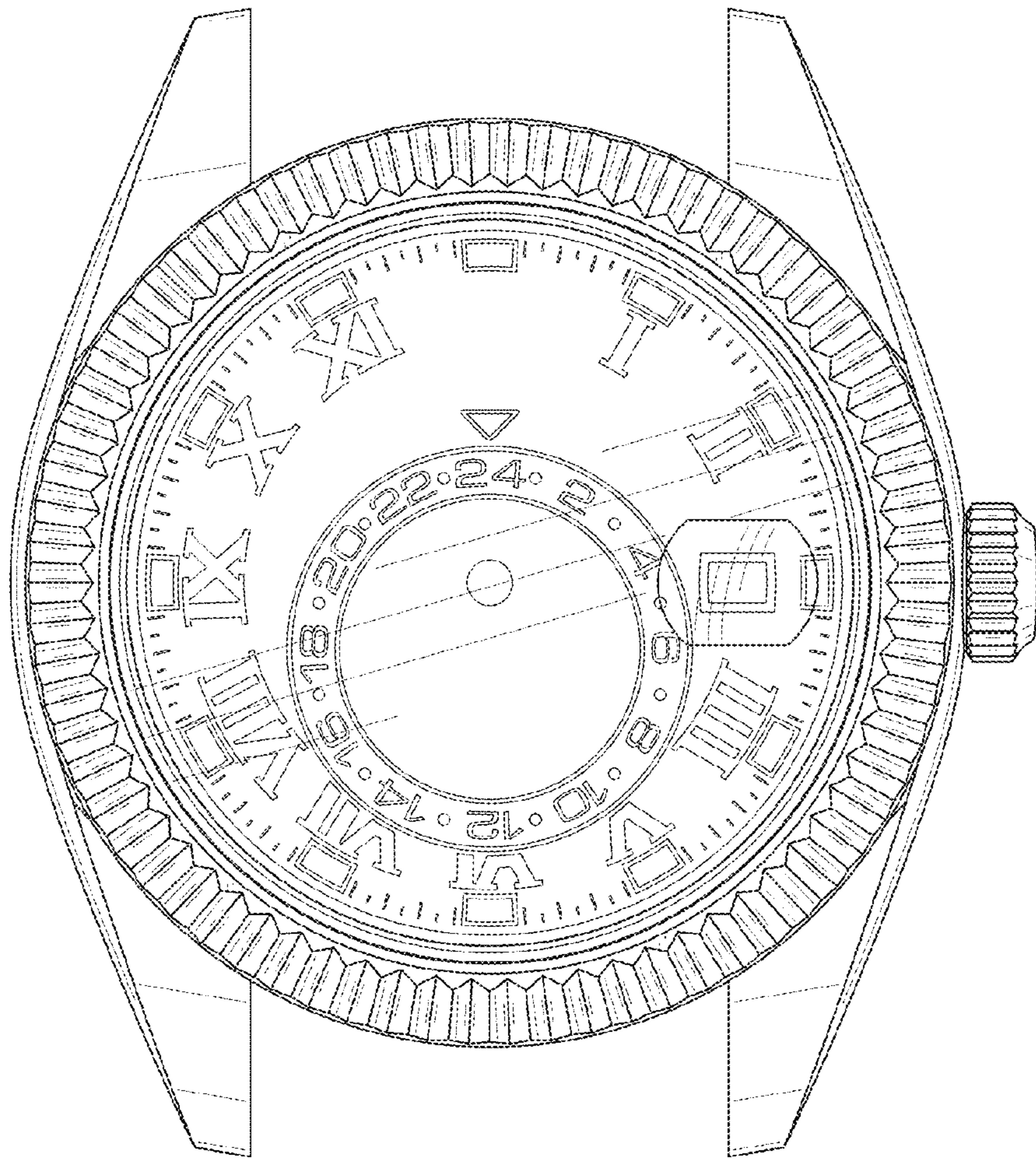


FIG. 1

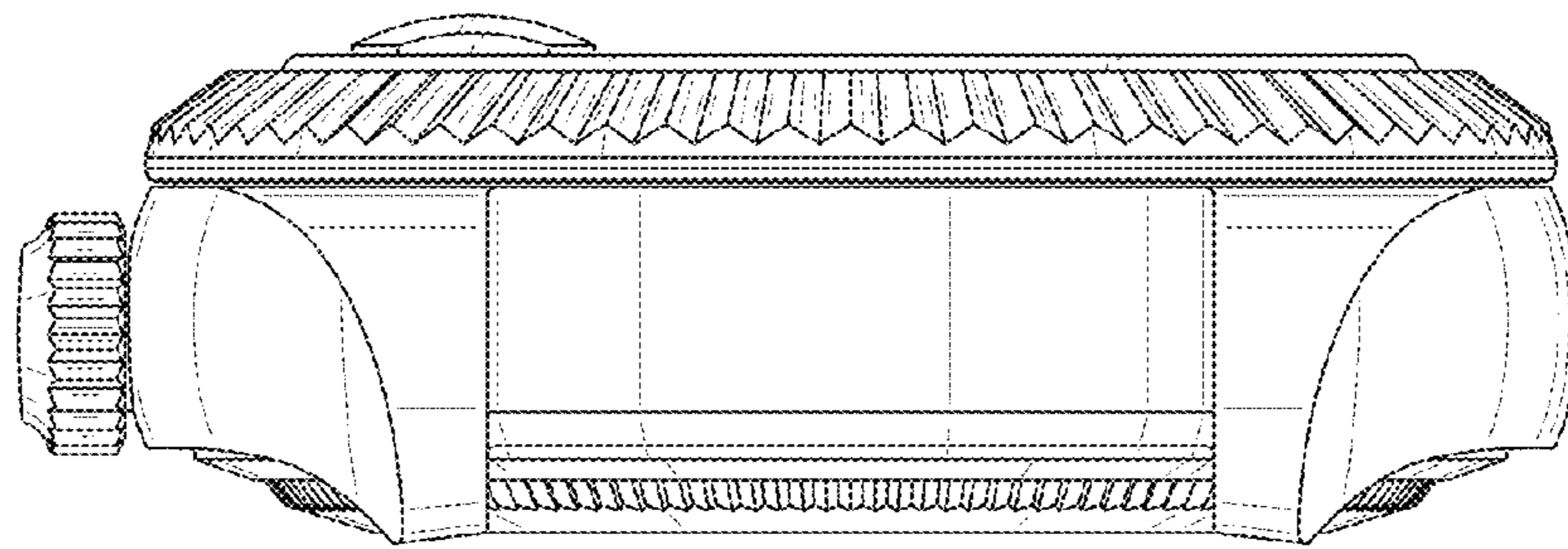


FIG. 2

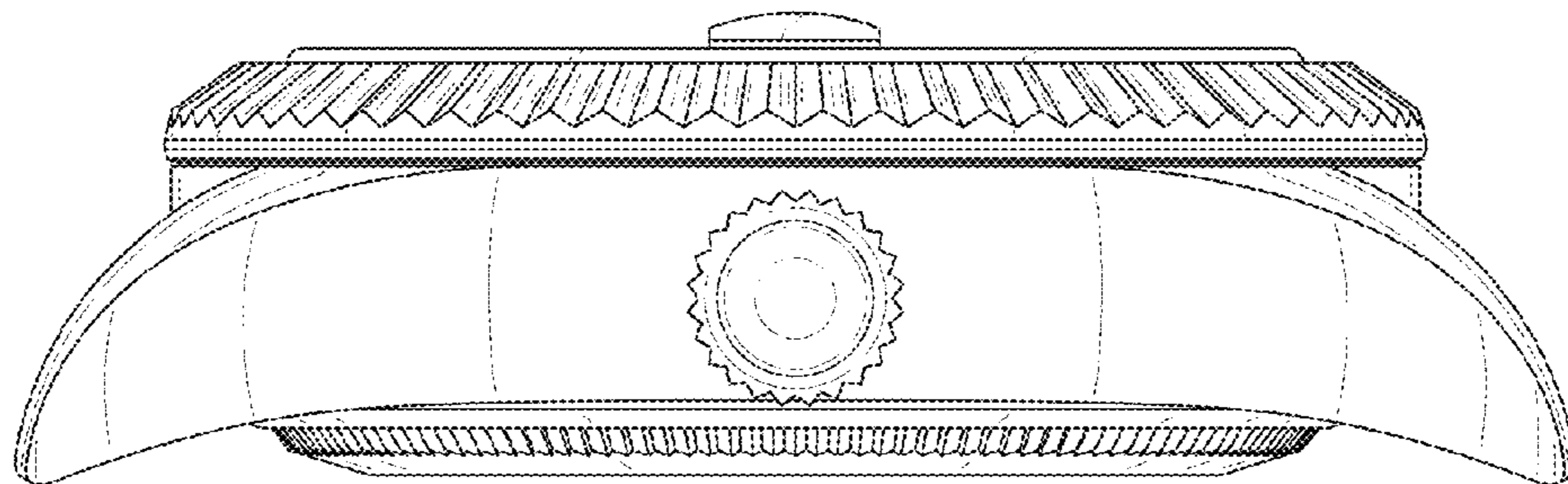


FIG. 3

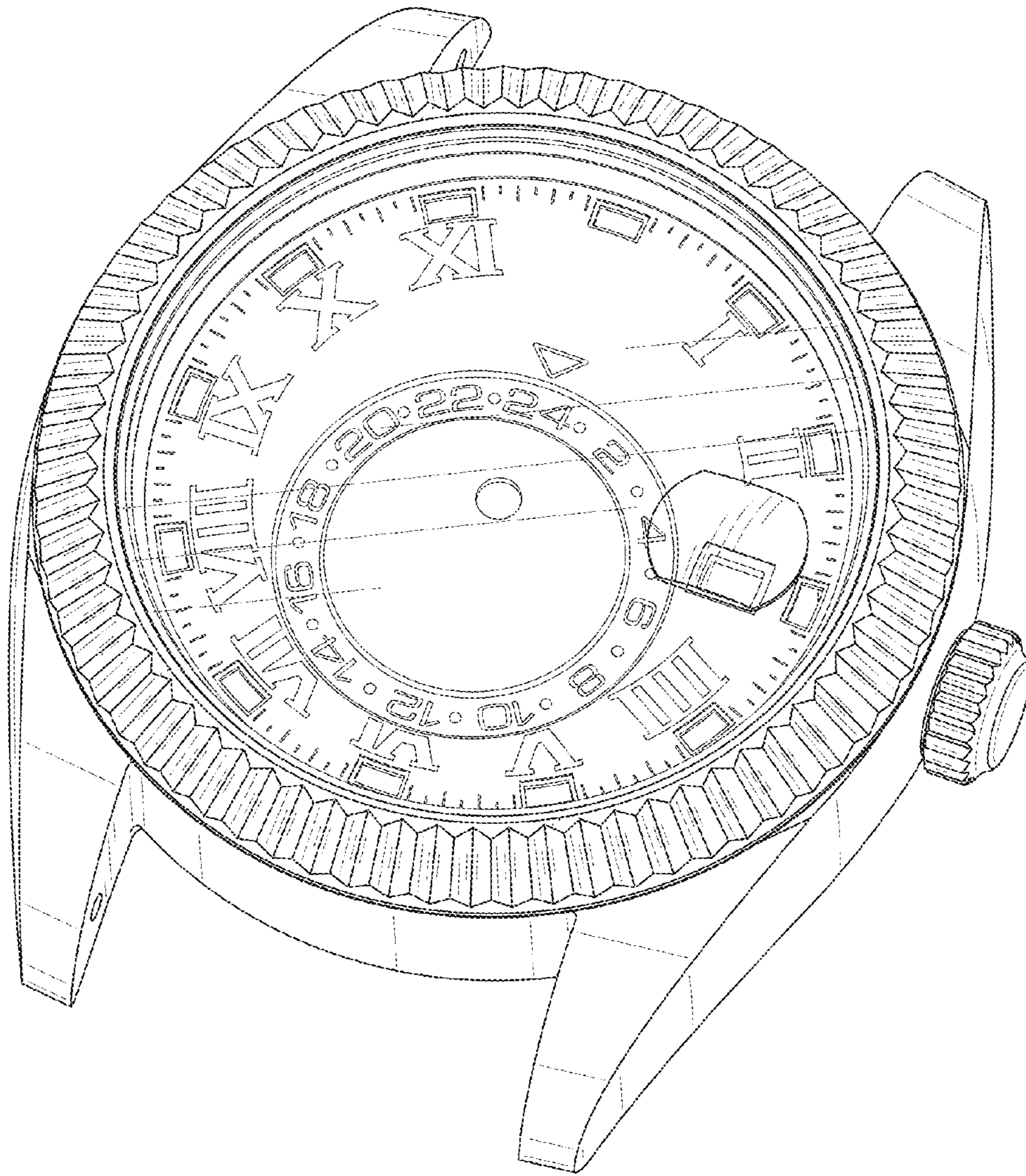


FIG. 4

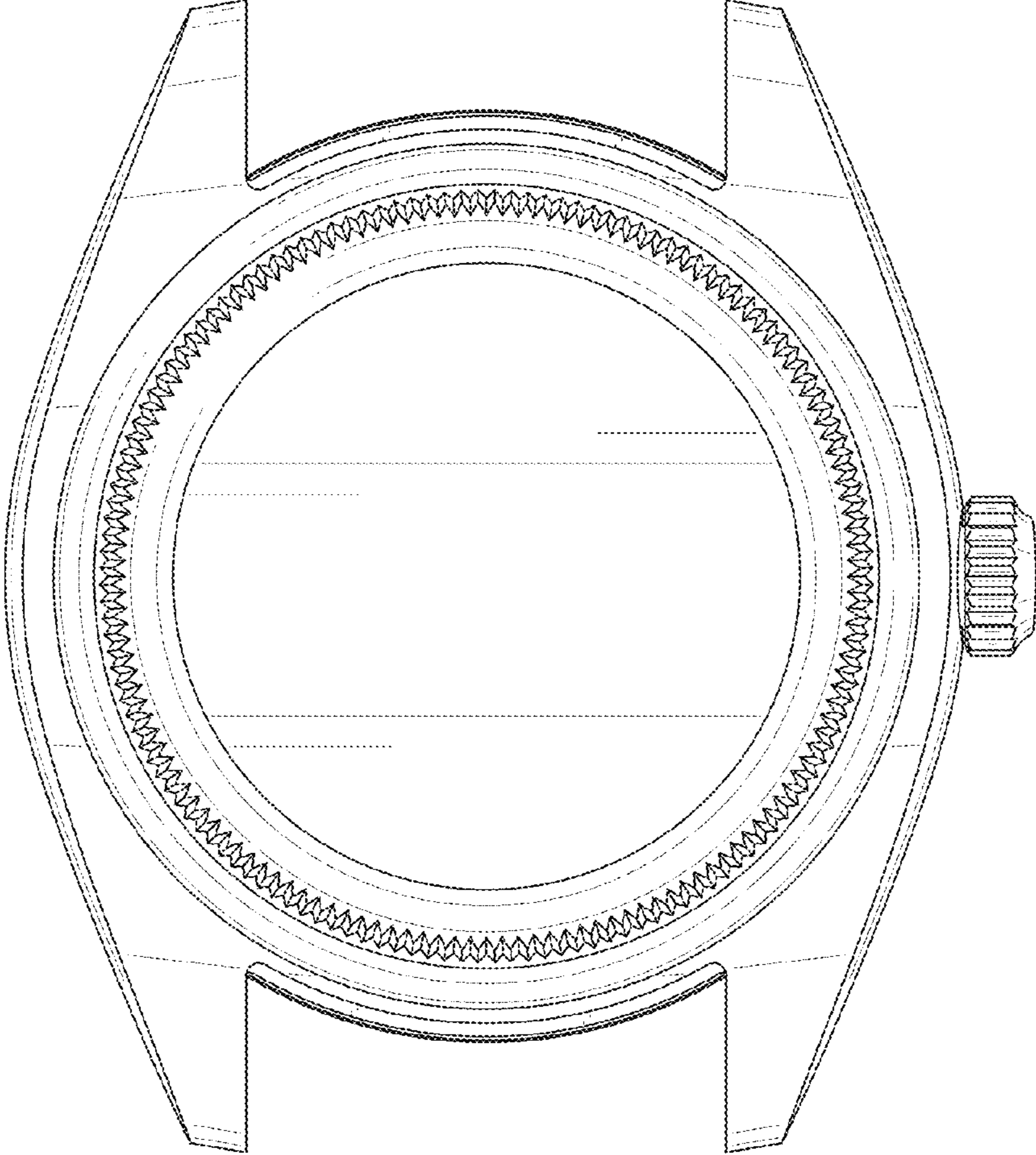


FIG. 5

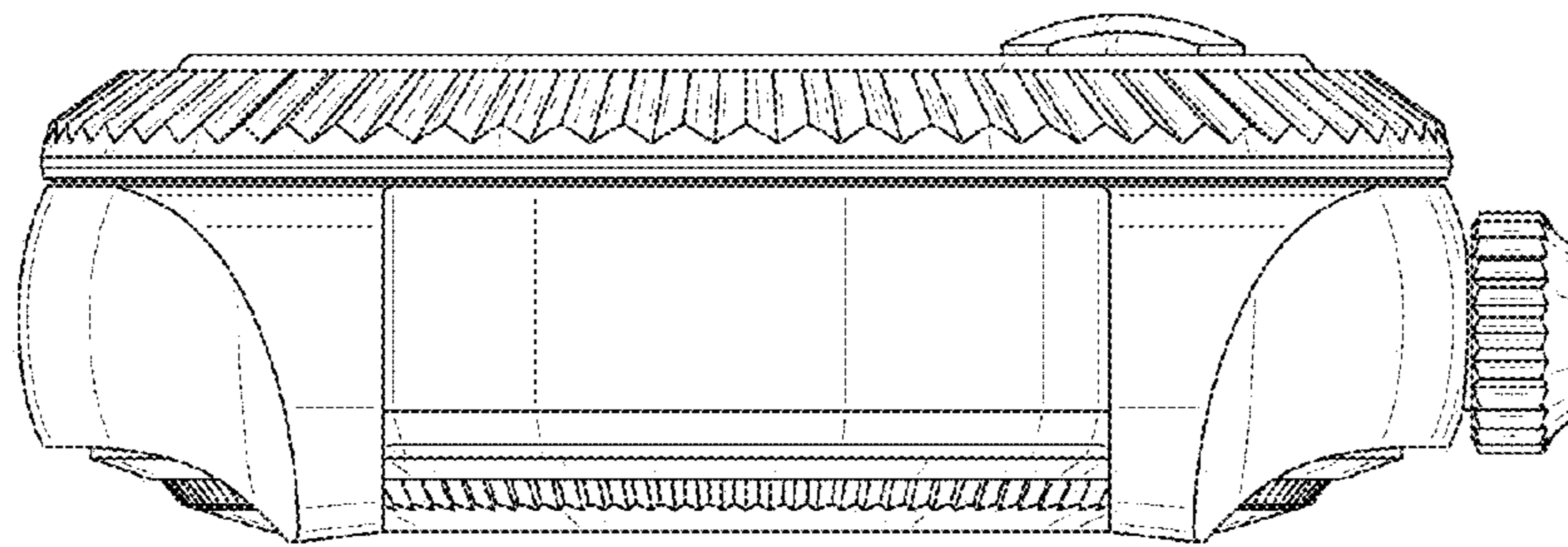


FIG. 6

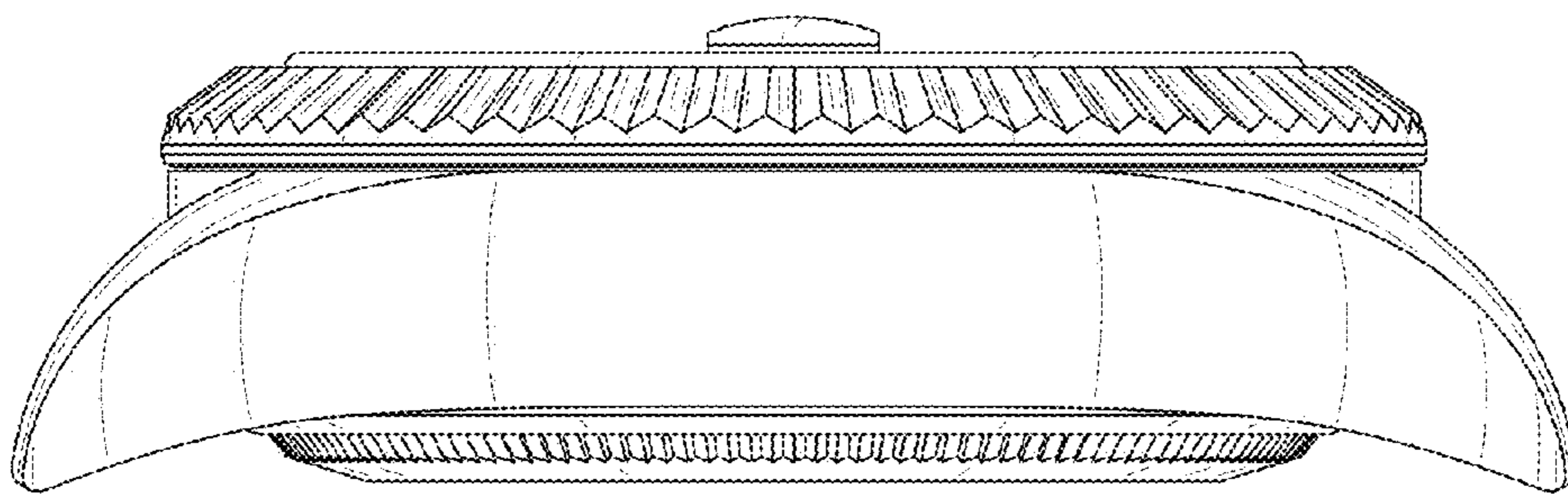


FIG. 7