



US00D707566S

(12) **United States Design Patent**
Serrano et al.

(10) **Patent No.:** **US D707,566 S**
(45) **Date of Patent:** **** Jun. 24, 2014**

- (54) **BOTTLE**
- (71) Applicant: **TricorBraun Inc.**, St. Louis, MO (US)
- (72) Inventors: **Marco Serrano**, Cicero, IL (US);
Christina Augustyn, Hickory Hills, IL (US)
- (73) Assignee: **TricorBraun Inc.**, St. Louis, MO (US)
- (**) Term: **14 Years**
- (21) Appl. No.: **29/433,118**
- (22) Filed: **Sep. 26, 2012**
- (51) **LOC (10) Cl.** **09-01**
- (52) **U.S. Cl.**
USPC **D9/724**
- (58) **Field of Classification Search**
USPC D9/530, 549, 556, 569, 574, 723-729;
D24/100, 107, 115; D23/211.2;
220/660, 669; 215/381-384; 604/294,
604/295, 298, 300; 222/190, 209, 210, 212,
222/213, 420, 570; D3/263
See application file for complete search history.

D536,623 S *	2/2007	Ozaki et al.	D9/724
D544,958 S *	6/2007	Wurtz et al.	D24/115
D545,218 S *	6/2007	Rushe	D9/724
D551,085 S *	9/2007	Feen	D9/563
D555,012 S *	11/2007	Yamauchi et al.	D9/724
D672,253 S *	12/2012	Lee	D9/724

* cited by examiner

Primary Examiner — Derrick Holland

Assistant Examiner — Lauren Calve

(74) *Attorney, Agent, or Firm* — Husch Blackwell LLP

(57) **CLAIM**

We claim the ornamental design for a bottle, as shown and described.

DESCRIPTION

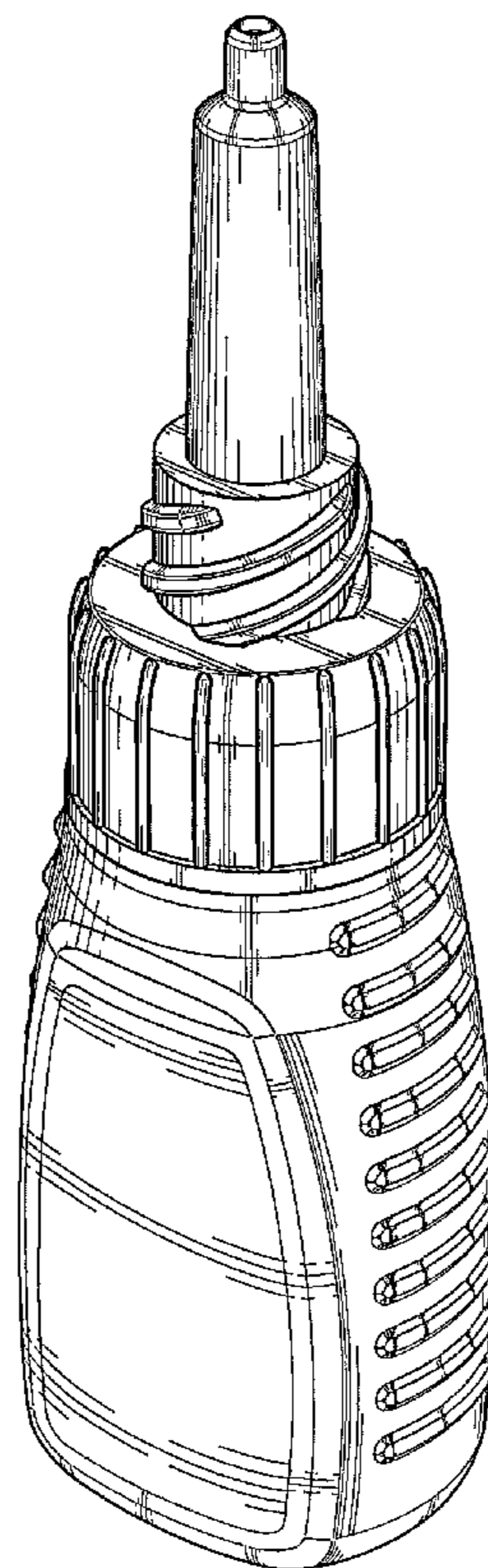
FIG. 1 is a perspective view of a bottle showing the new design;
 FIG. 2 is a front view thereof, wherein the rear of the design is a mirror image of the front;
 FIG. 3 is a right side view thereof, wherein the left side of the design is a mirror image of the right side;
 FIG. 4 is a top view thereof; and,
 FIG. 5 is a bottom view thereof.
 The broken lines shown in FIG. 5 represent unclaimed subject matter and form no part of the claimed design.

(56) **References Cited**

U.S. PATENT DOCUMENTS

D451,396 S * 12/2001 Johnson et al. D9/530

1 Claim, 4 Drawing Sheets



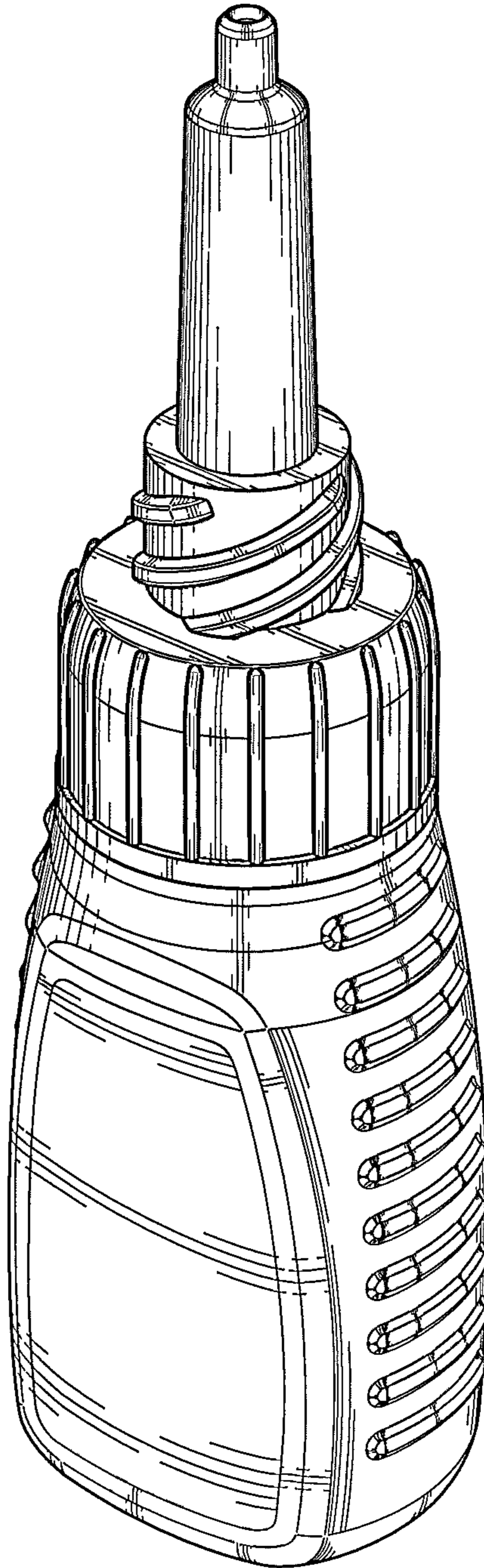


FIG. 1

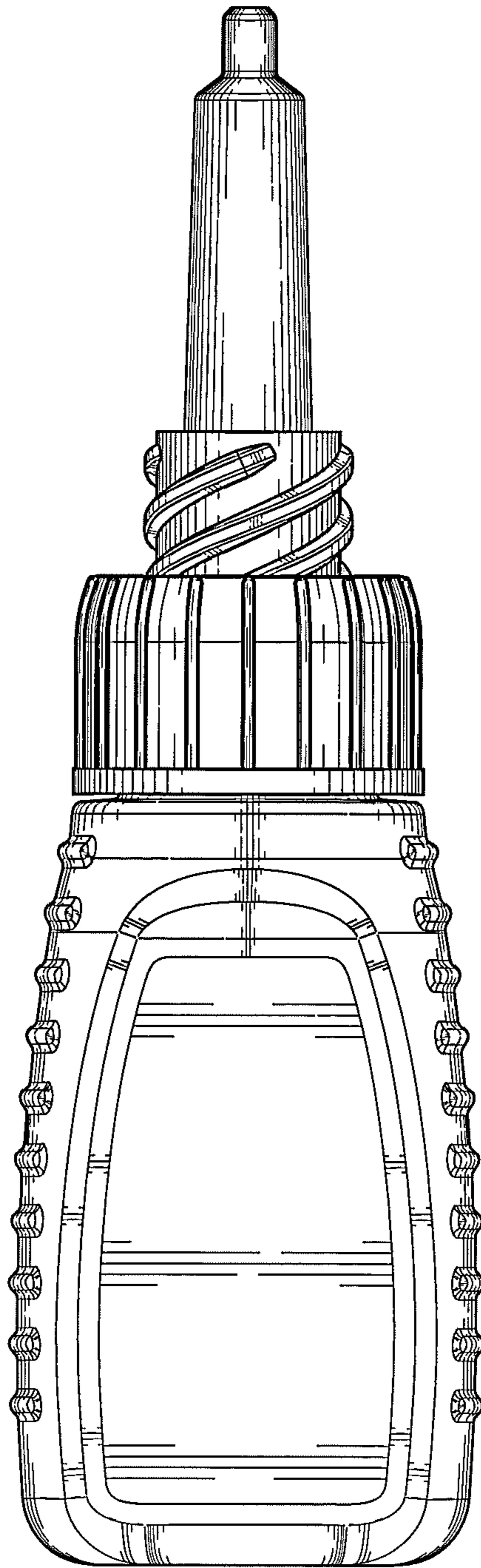


FIG. 2

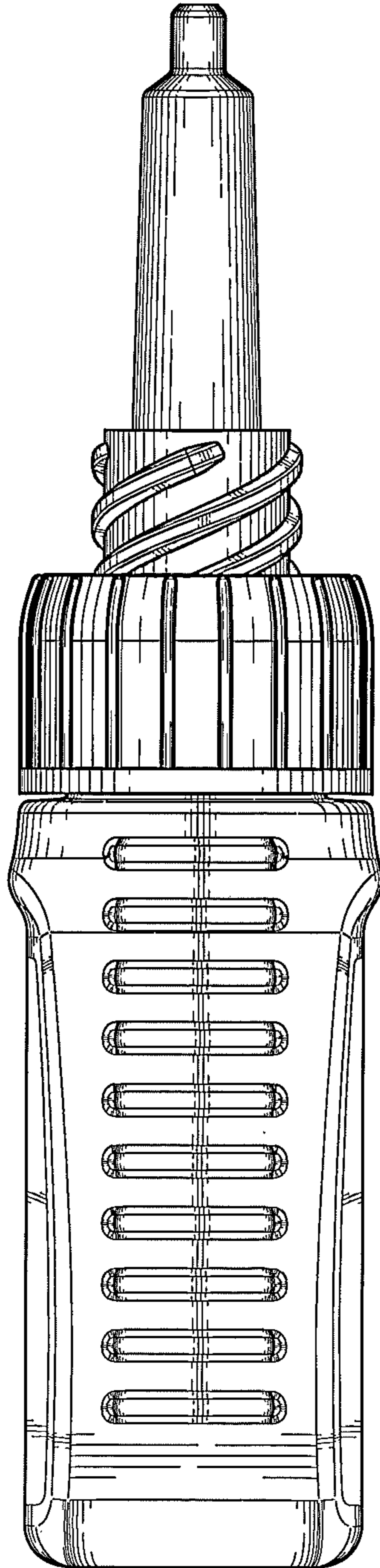


FIG. 3

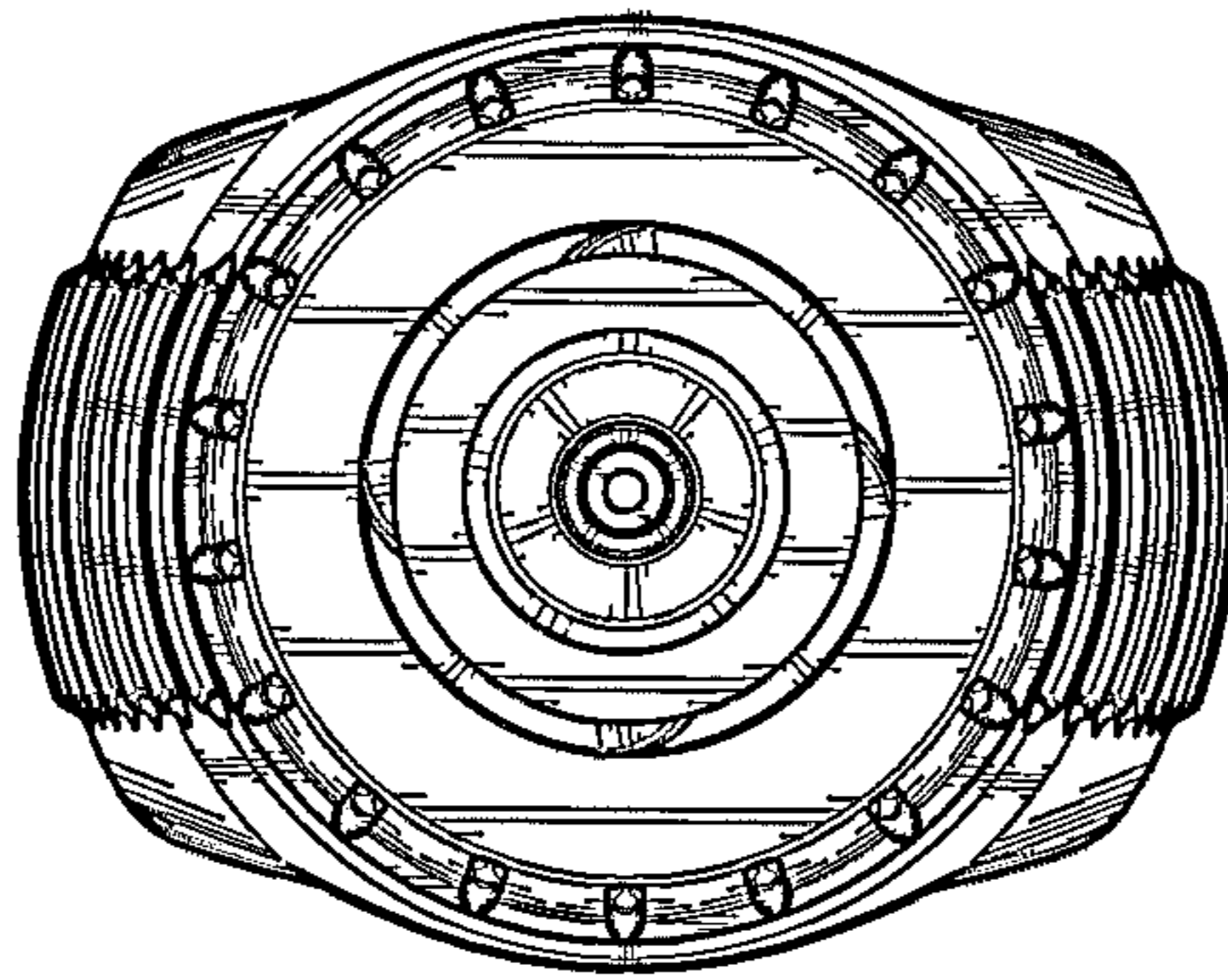


FIG. 4

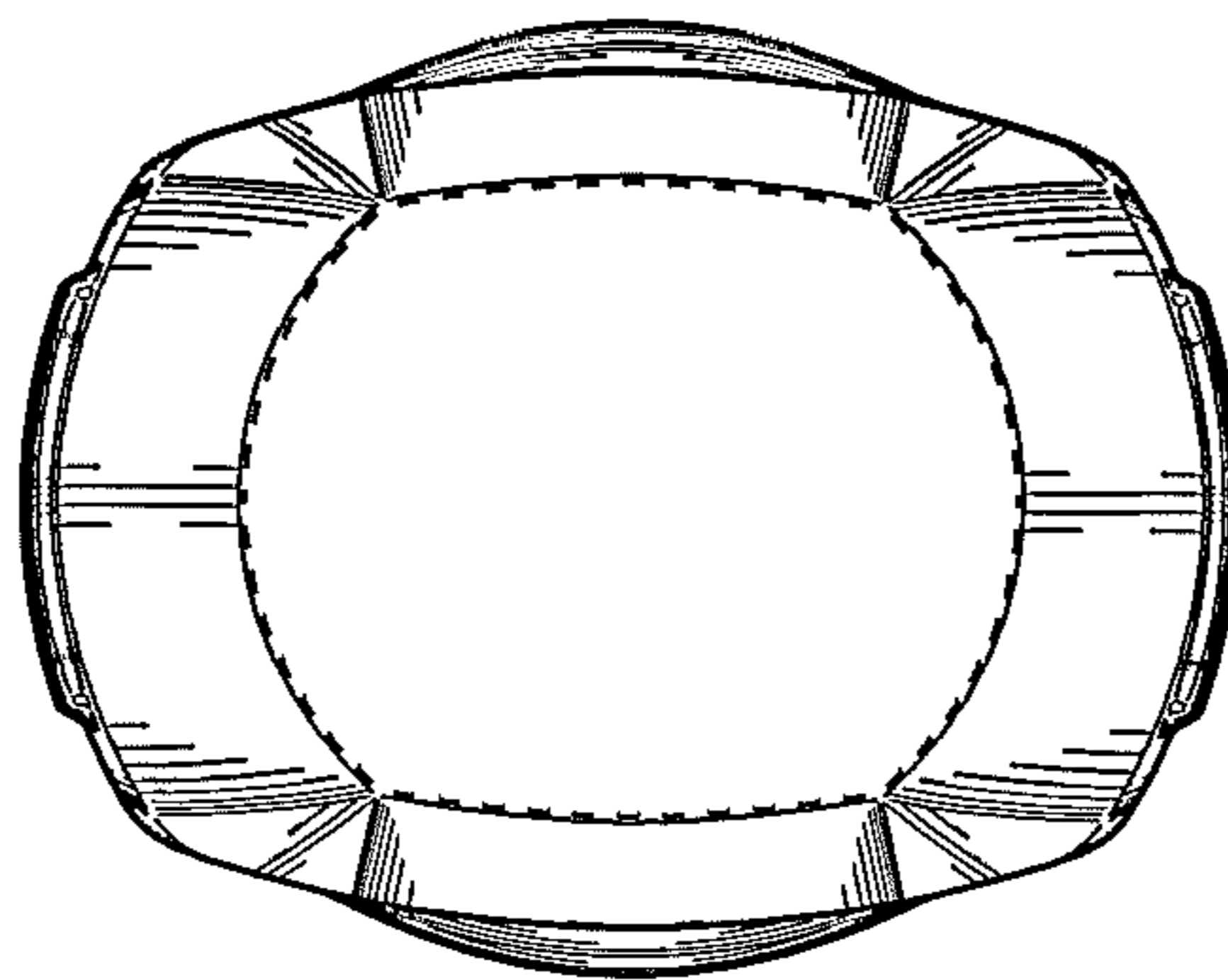


FIG. 5