



US00D707565S

(12) **United States Design Patent**
Villasol

(10) **Patent No.:** **US D707,565 S**
(45) **Date of Patent:** **** Jun. 24, 2014**

- (54) **BOTTLE**
- (75) Inventor: **Ariel Villasol**, Modesto, CA (US)
- (73) Assignee: **E&J Gallo, Inc.**, Modesto, CA (US)
- (**) Term: **14 Years**
- (21) Appl. No.: **29/426,690**
- (22) Filed: **Jul. 9, 2012**
- (51) **LOC (10) Cl.** **09-01**
- (52) **U.S. Cl.**
USPC **D9/652**; D9/667; D9/520; D9/551
- (58) **Field of Classification Search**
USPC D9/600, 652, 667, 500-503, 516, 520,
D9/537-543, 549-558; 206/457, 527;
215/400; 220/890; D7/514-517, 520;
D3/270, 271.1
See application file for complete search history.

D452,442 S *	12/2001	Bowen	D9/503
D470,057 S *	2/2003	Bowen	D9/551
D476,571 S *	7/2003	Lince	D9/500
D481,937 S *	11/2003	McRae	D9/520
D481,938 S *	11/2003	McRae	D9/520
D522,875 S *	6/2006	Uryevich	D9/550
D555,495 S *	11/2007	Dunman, Jr.	D9/551
D597,413 S *	8/2009	Teuscher	D9/652
D623,534 S *	9/2010	Shearsby et al.	D9/652

* cited by examiner

Primary Examiner — Sandra Morris
(74) *Attorney, Agent, or Firm* — Steptoe & Johnson LLP

(57) **CLAIM**
The ornamental design for a bottle, as shown.

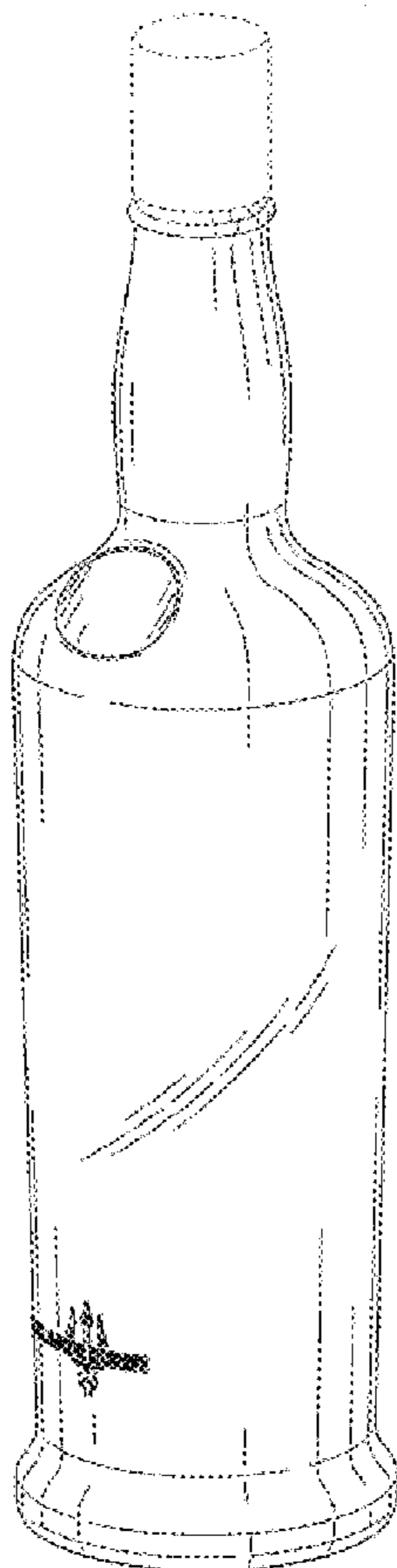
DESCRIPTION

FIG. 1 is a perspective front view of an ornamental design of a bottle;
FIG. 2 is a front view thereof;
FIG. 3 is a back view thereof;
FIG. 4 is a left side view thereof;
FIG. 5 is a right side view thereof;
FIG. 6 is a top view thereof; and,
FIG. 7 is a bottom view thereof.
The broken line showing is for illustrative purposes only, and forms no part of the claimed design.

1 Claim, 4 Drawing Sheets

(56) **References Cited**
U.S. PATENT DOCUMENTS

D272,990 S *	3/1984	Strand	D9/500
D415,414 S *	10/1999	Pekarev	D9/652
D448,300 S *	9/2001	Walters et al.	D9/520
D449,531 S *	10/2001	Cooley	D9/500



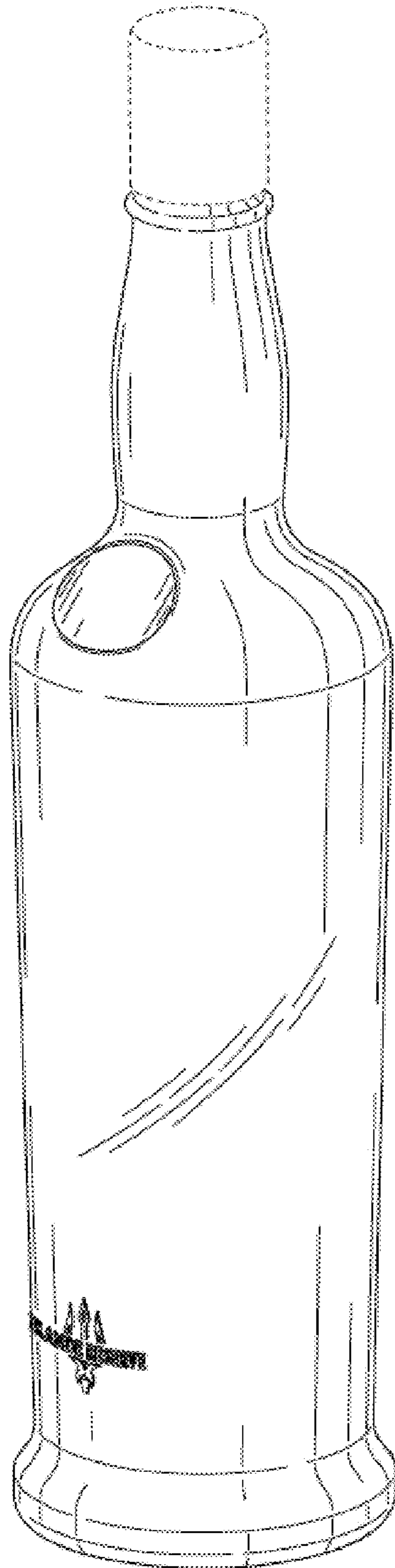


FIG. 1

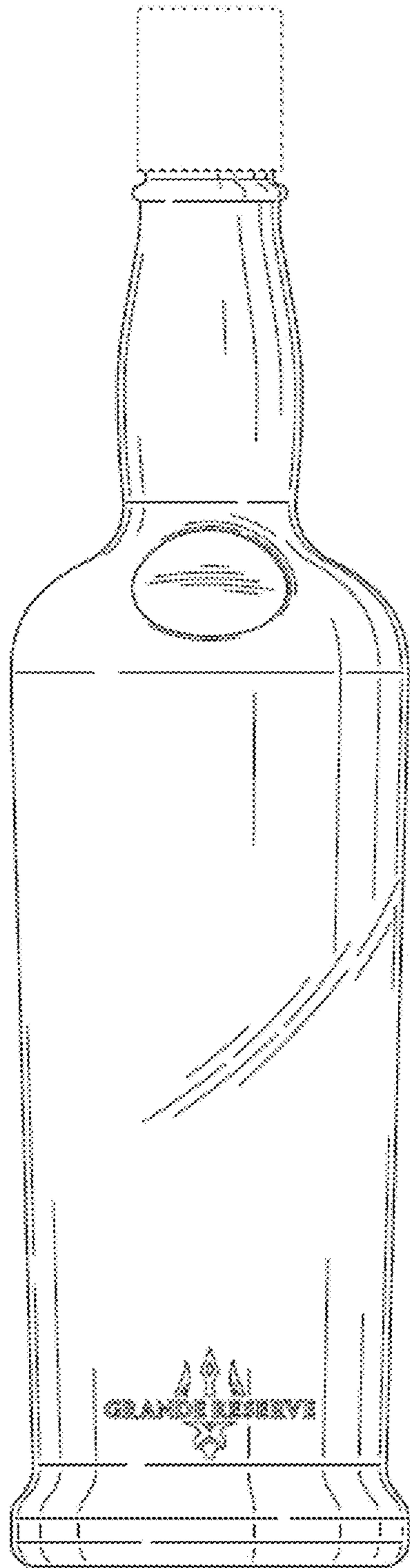


FIG. 2

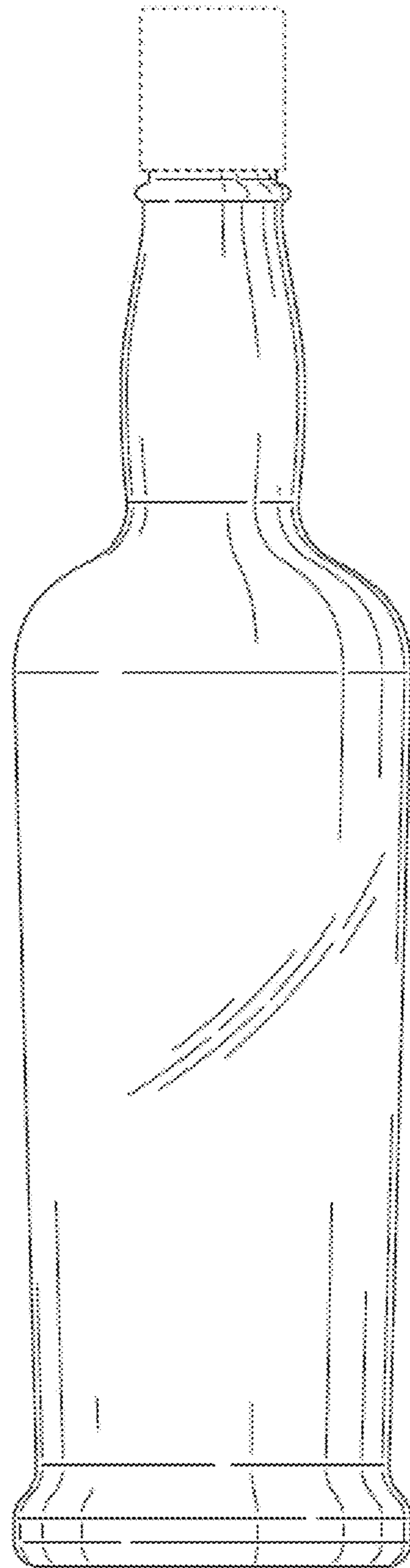


FIG. 3

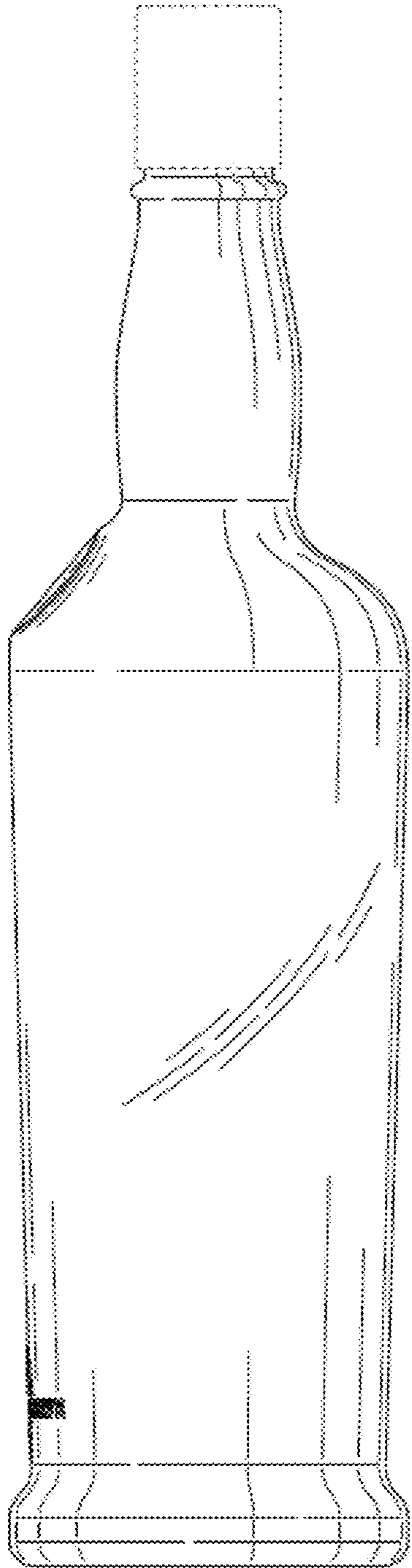


FIG. 4

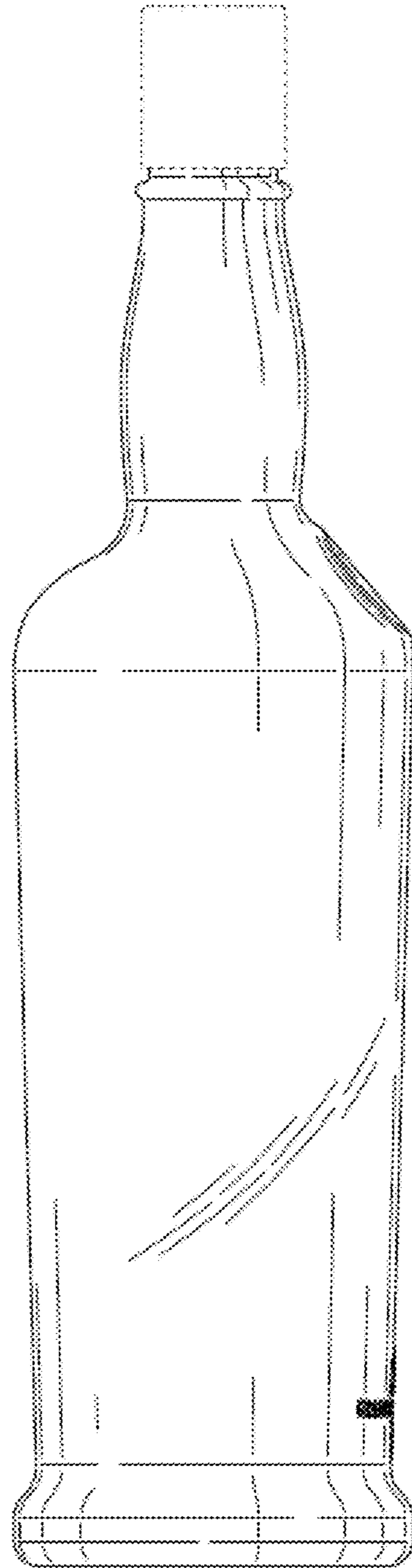


FIG. 5

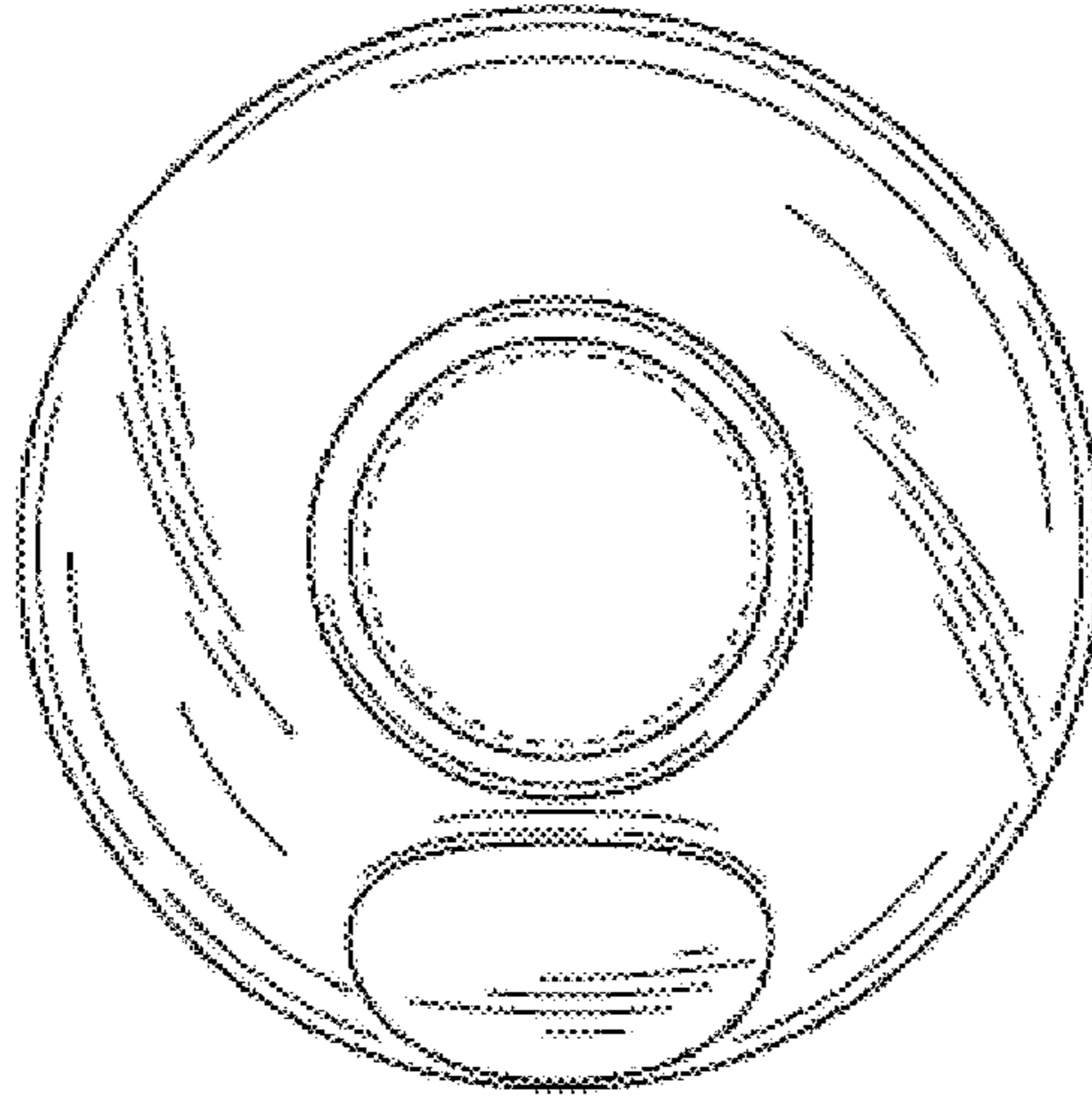


FIG. 6

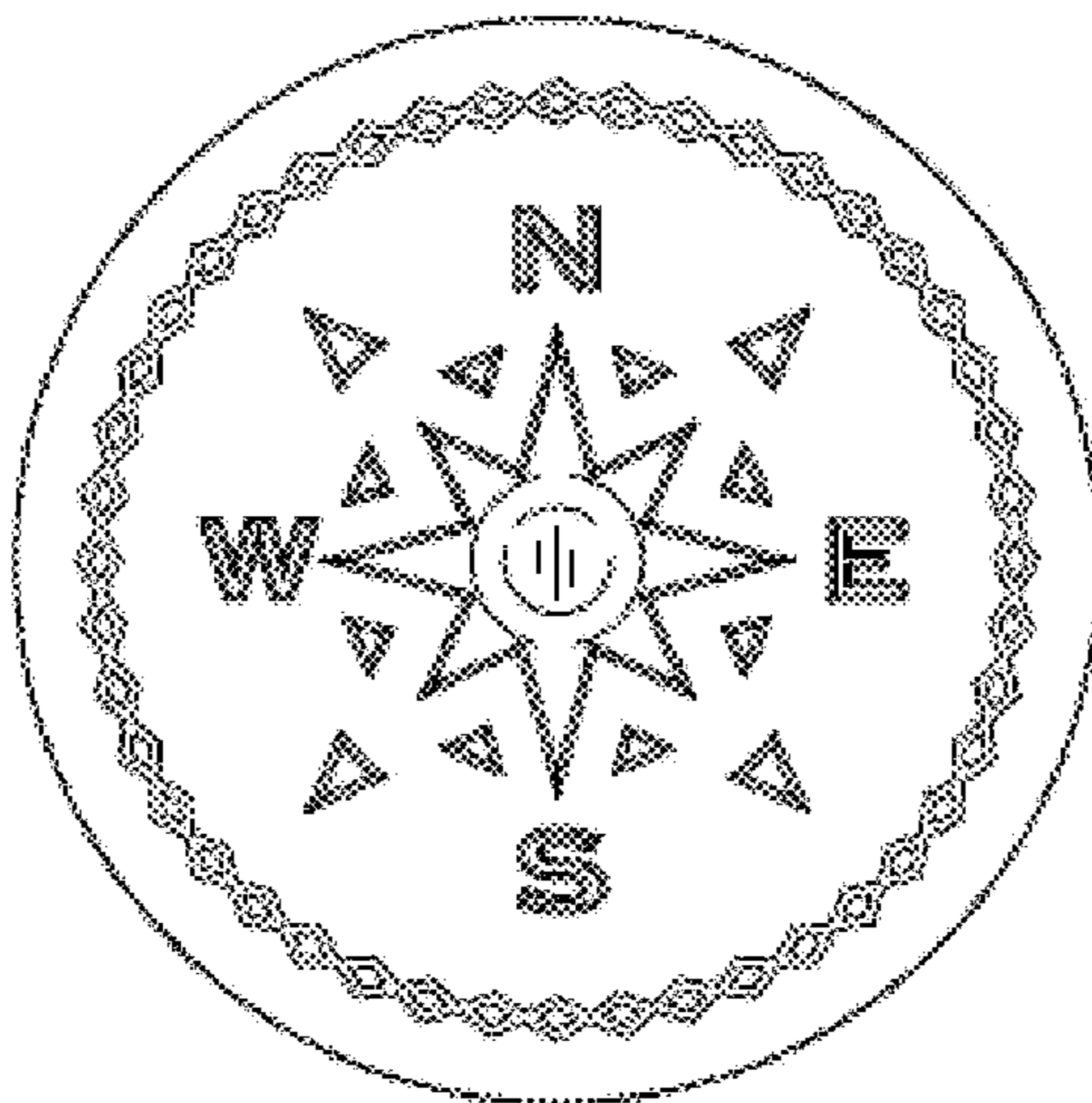


FIG. 7