



US00D707557S

(12) **United States Design Patent**
Corradini et al.

(10) **Patent No.:** **US D707,557 S**
(45) **Date of Patent:** **** Jun. 24, 2014**

(54) **CAP**

(56) **References Cited**

(71) Applicant: **Reckitt Benckiser N.V.**, Hoofddorp (NL)

U.S. PATENT DOCUMENTS

(72) Inventors: **Fabio Corradini**, Mira (IT); **Cecile Moine**, Ludwigshafen (DE); **Sara Quaggia**, Mira (IT); **Ralf Wiedemann**, Mira (IT); **Jenny Xiao**, Guangdong (CN); **Eason Xu**, Guangdong (CN)

D411,709	S	*	6/1999	Curtis et al.	D7/396.1
D455,654	S	*	4/2002	Gobe	D9/445
D475,927	S	*	6/2003	Maddy	D9/503
D574,236	S	*	8/2008	Oates	D9/435
D580,228	S	*	11/2008	Hayden	D7/513
D595,537	S	*	7/2009	Mansfield et al.	D7/396.1
D607,692	S	*	1/2010	Skala	D7/532
7,845,512	B2	*	12/2010	Skala	220/703
2007/0199940	A1	*	8/2007	Skala	220/506

(73) Assignee: **Reckitt Benckiser N.V.**, WT Hoofddorp (NL)

* cited by examiner

(**) Term: **14 Years**

Primary Examiner — Susan Bennett Hattan

(21) Appl. No.: **29/451,595**

Assistant Examiner — Leanne Was

(22) Filed: **Apr. 4, 2013**

(74) *Attorney, Agent, or Firm* — Norris McLaughlin & Marcus PA

(30) **Foreign Application Priority Data**

(57) **CLAIM**

The ornamental design for a cap, as shown and described.

Oct. 8, 2012 (EM) 002115147

(51) **LOC (10) Cl.** **09-07**

(52) **U.S. Cl.**
USPC **D9/436**

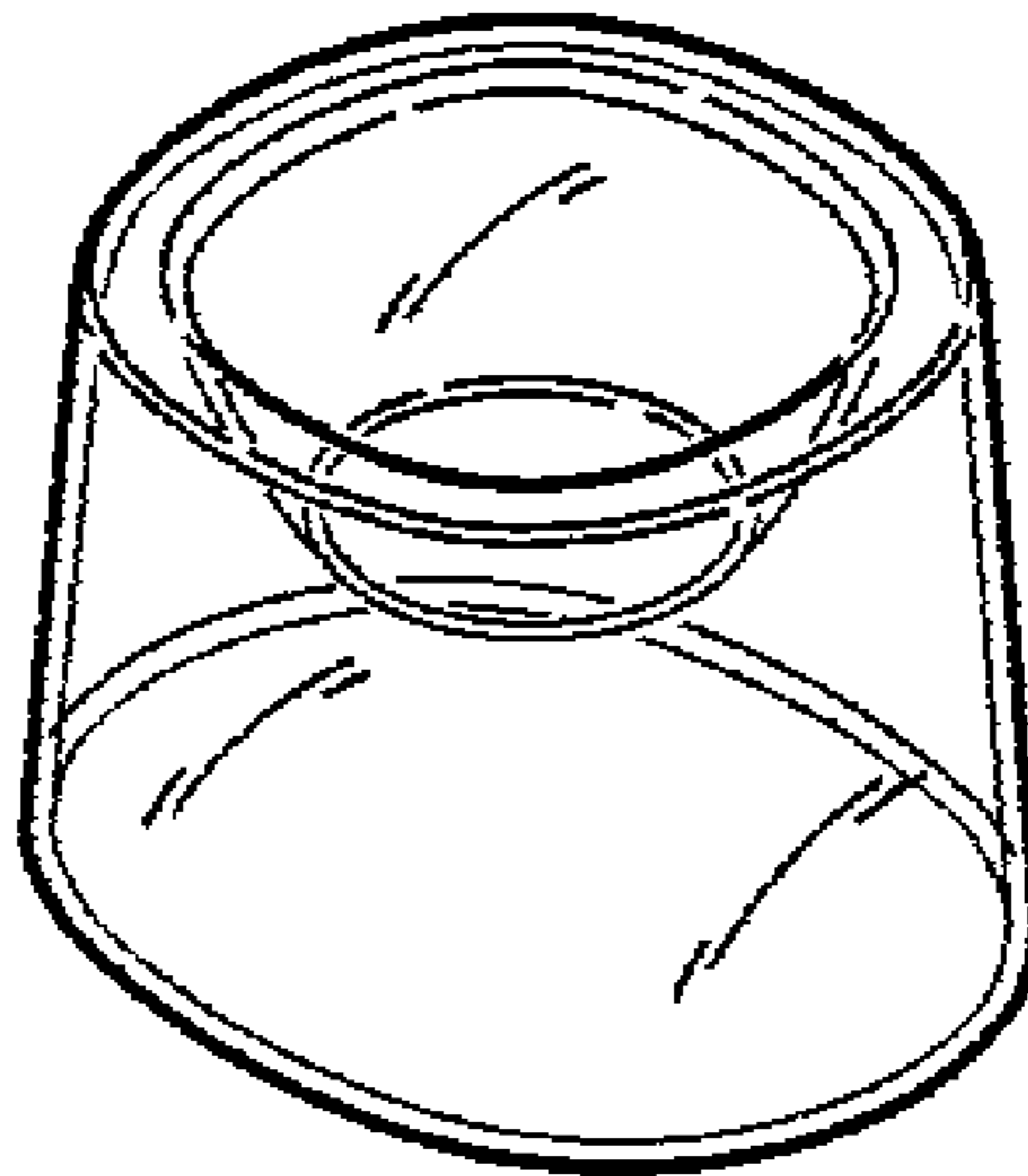
(58) **Field of Classification Search**
USPC D7/387, 396.1, 396.2, 500, 509, 510,
D7/513, 523; D9/435, 436, 438, 454, 529;
73/427; 206/219, 501, 511, 515; 215/6,
215/228; 220/501, 503, 505, 506, 507, 703;
222/129

DESCRIPTION

FIG. 1 is a front and side perspective view of a cap;
FIG. 2 is a right side elevational view thereof;
FIG. 3 is a left side elevational view thereof;
FIG. 4 is a front elevational view thereof;
FIG. 5 is a rear elevational view thereof;
FIG. 6 is a top plan view thereof; and,
FIG. 7 is a bottom plan view thereof.

See application file for complete search history.

1 Claim, 1 Drawing Sheet



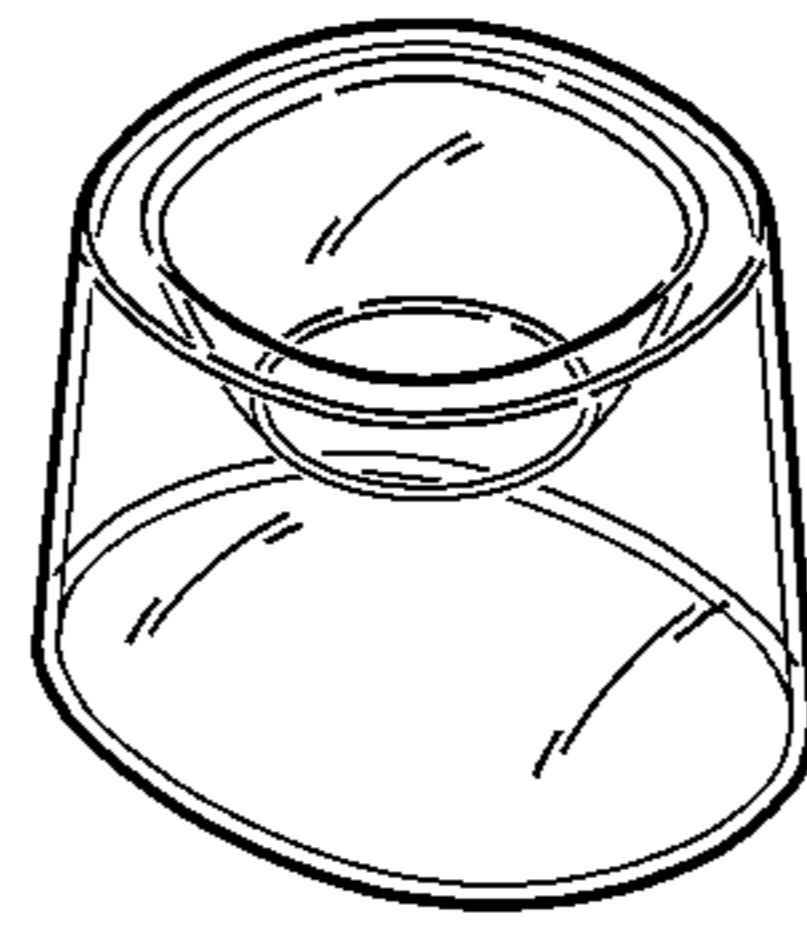


Fig. 1

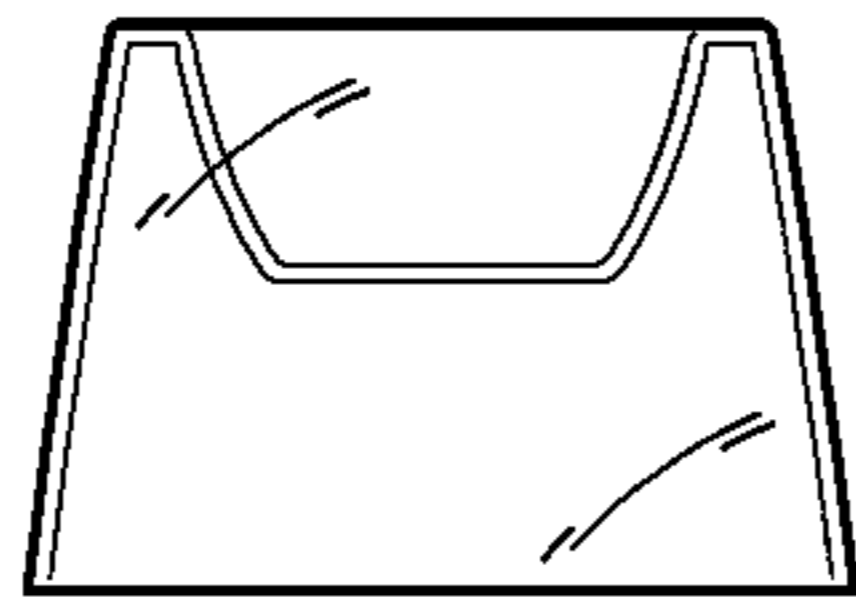


Fig. 2

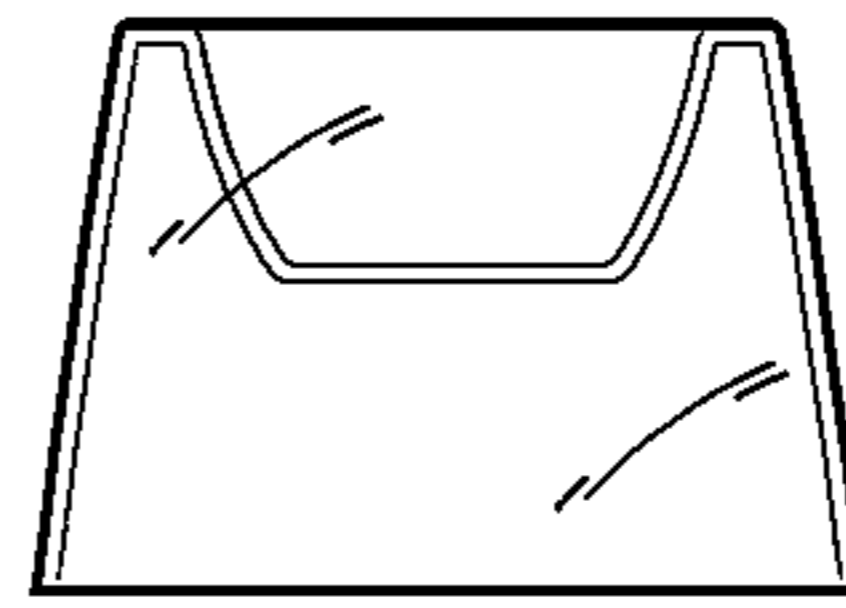


Fig. 3

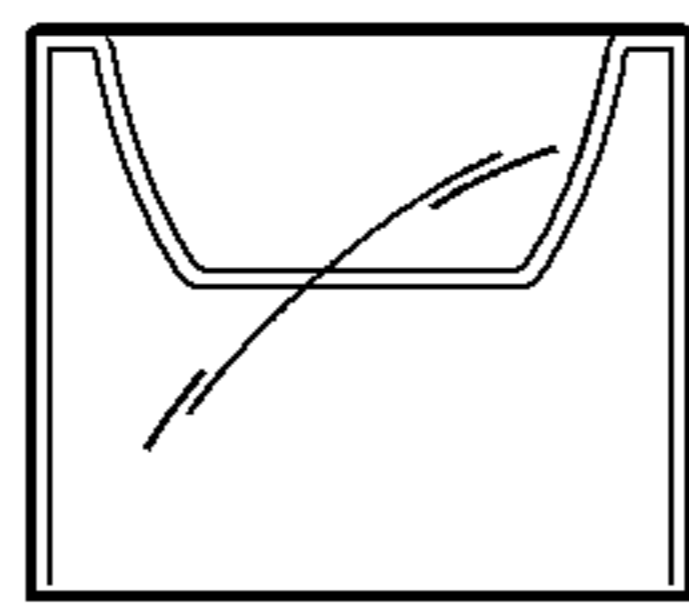


Fig. 4

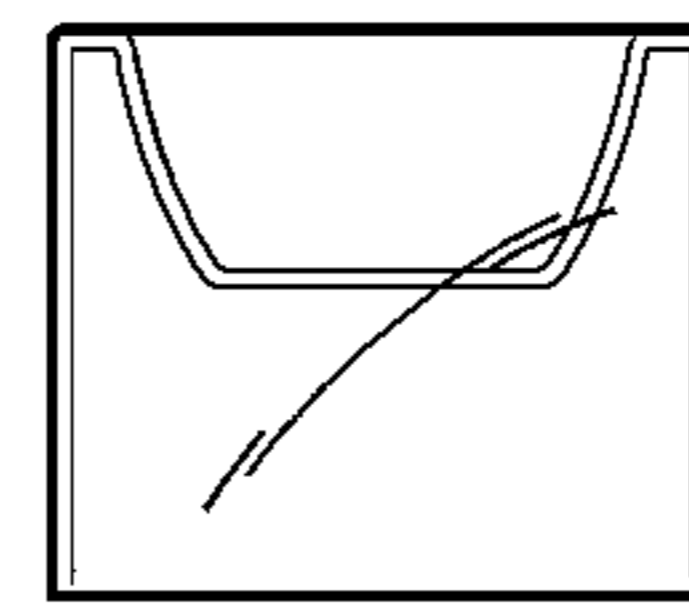


Fig. 5

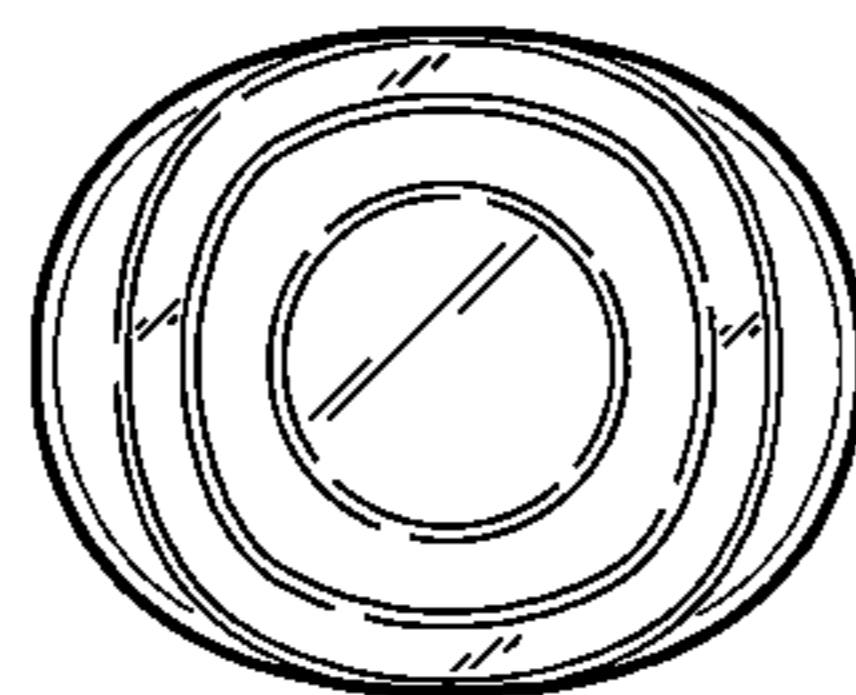


Fig. 6

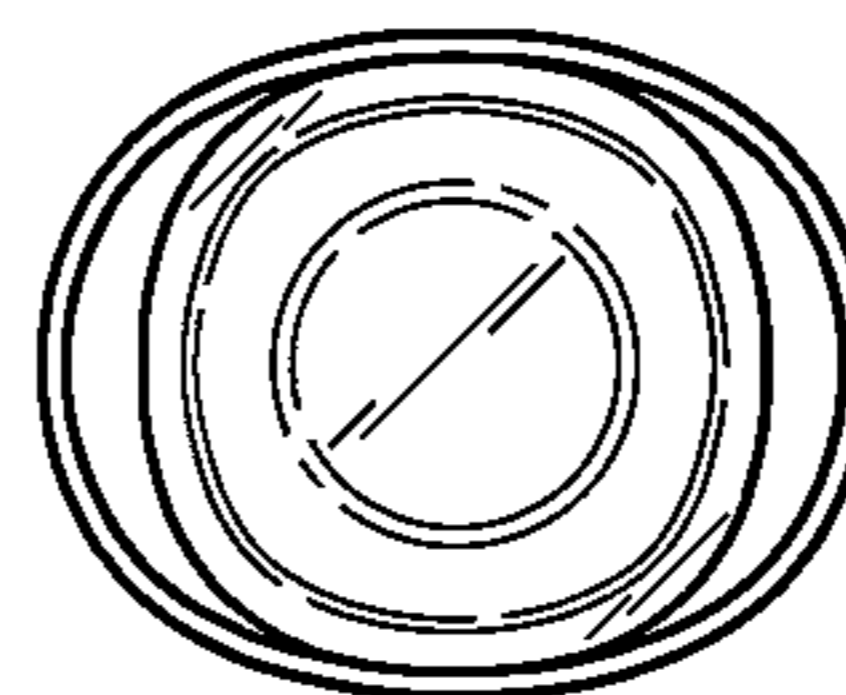


Fig. 7