



US00D707556S

(12) **United States Design Patent**
Kawamura

(10) **Patent No.:** **US D707,556 S**
(45) **Date of Patent:** **** Jun. 24, 2014**

(54) **CAP WITH BUILT-IN PLUG FOR MEDICINE CONTAINER**

(75) Inventor: **Hideaki Kawamura**, Sumida-ku (JP)

(73) Assignee: **Daikyo Seiko, Ltd.**, Sumida-ku, Tokyo (JP)

(**) Term: **14 Years**

(21) Appl. No.: **29/412,742**

(22) Filed: **Feb. 7, 2012**

(30) **Foreign Application Priority Data**

Aug. 12, 2011 (JP) 2011-018507

(51) **LOC (10) Cl.** **09-07**

(52) **U.S. Cl.**
USPC **D9/436**

(58) **Field of Classification Search**
USPC D9/435, 436, 438, 439, 443, 445, 447,
D9/451, 452, 453, 454, 629, 705, 708,
D9/709; D24/224, 197; 220/288; 604/403,
604/415, 905
See application file for complete search history.

(56) **References Cited**

U.S. PATENT DOCUMENTS

D309,863 S * 8/1990 Baxter D9/439
D397,612 S * 9/1998 Lipnick D9/445
D419,071 S * 1/2000 Peters et al. D9/453
D421,222 S * 2/2000 Boyer et al. D9/447

D421,909 S * 3/2000 Opresco D9/443
D470,051 S * 2/2003 Bloom et al. D9/435
D494,468 S * 8/2004 Vovan D9/435
D548,075 S * 8/2007 Mavin et al. D9/435
D619,004 S * 7/2010 Fallat et al. D9/454

* cited by examiner

Primary Examiner — Susan Bennett Hattan

Assistant Examiner — Leanne Was

(74) *Attorney, Agent, or Firm* — Taft Stettinius & Hollister LLP

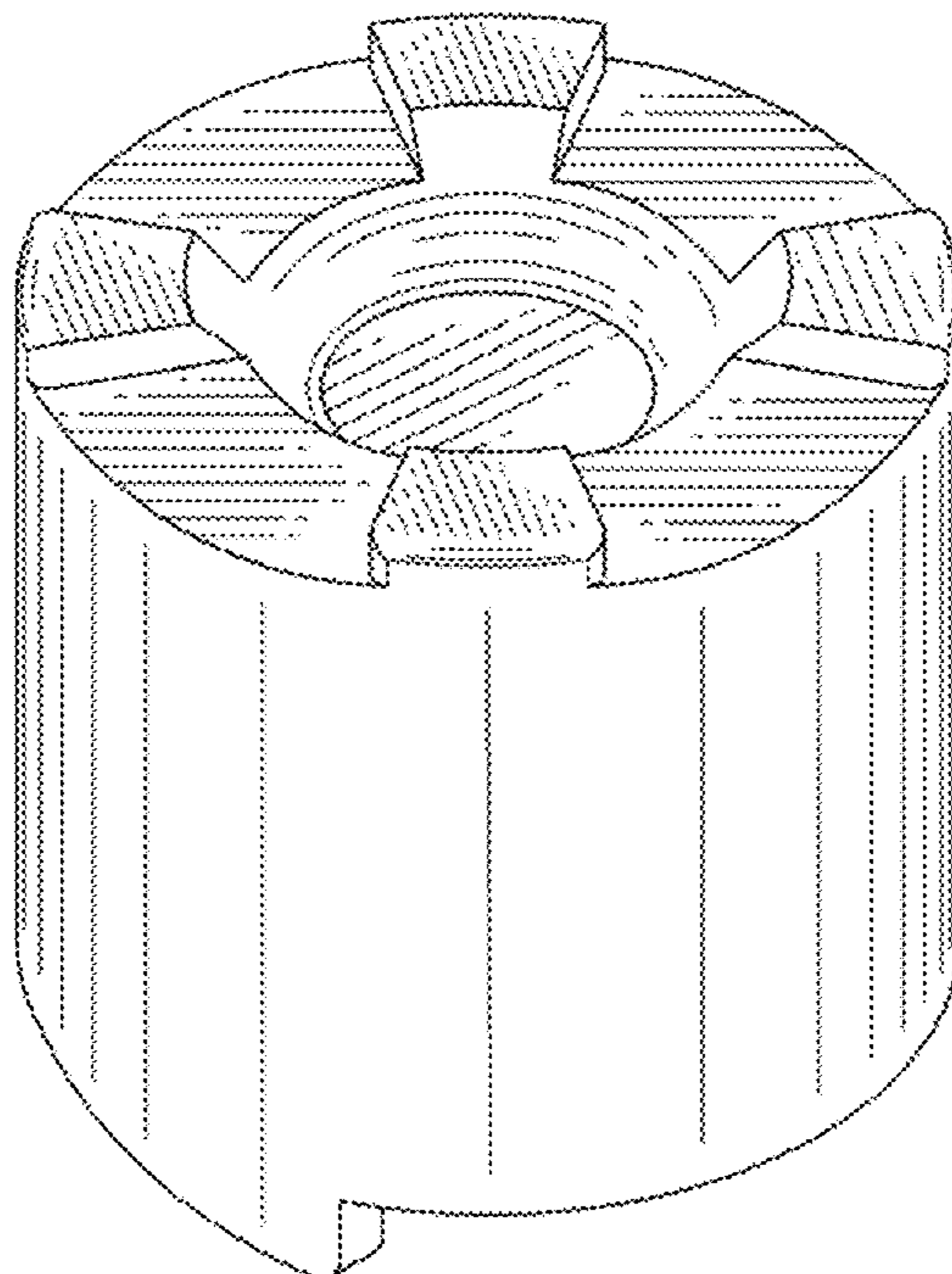
(57) **CLAIM**

The ornamental design for a cap with built-in plug for medicine container, as shown and described.

DESCRIPTION

FIG. 1 is a front perspective view of the cap with built-in plug for medicine container of the present invention; FIG. 2 is a rear perspective view thereof; FIG. 3 is a bottom perspective view thereof; FIG. 4 is a front elevational view thereof, the rear elevational view being identical thereto; FIG. 5 is a right side elevational view thereof, the left side elevational view being identical thereto; FIG. 6 is a top plan view thereof; FIG. 7 is a bottom plan view thereof; FIG. 8 is a sectional view thereof taken along line 8-8 in FIG. 5; and, FIG. 9 is a front perspective view thereof. The broken lines are for the purpose of illustrating environmental structure only and form no part of the claimed design.

1 Claim, 9 Drawing Sheets



F I G. 1

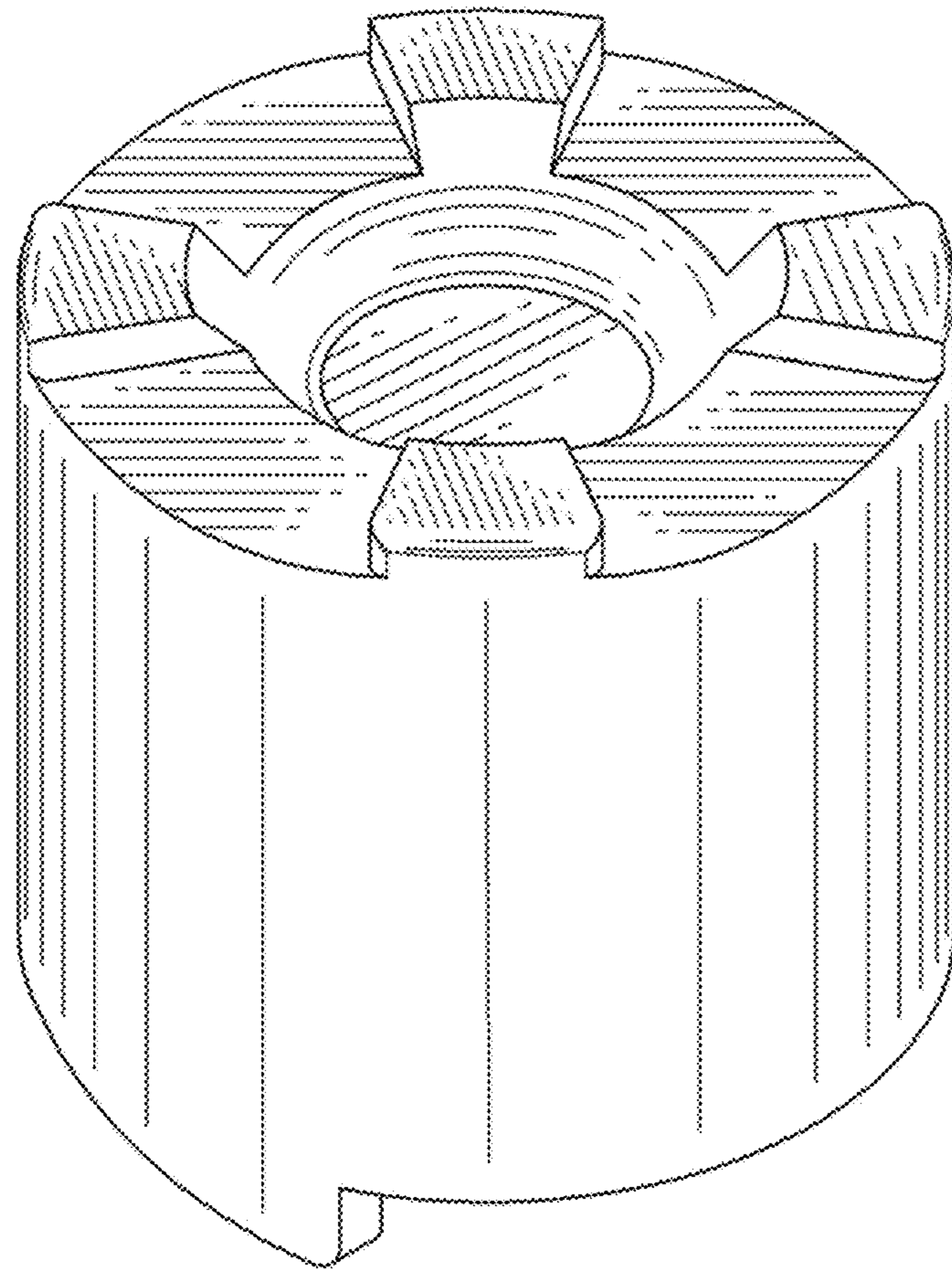


FIG. 2

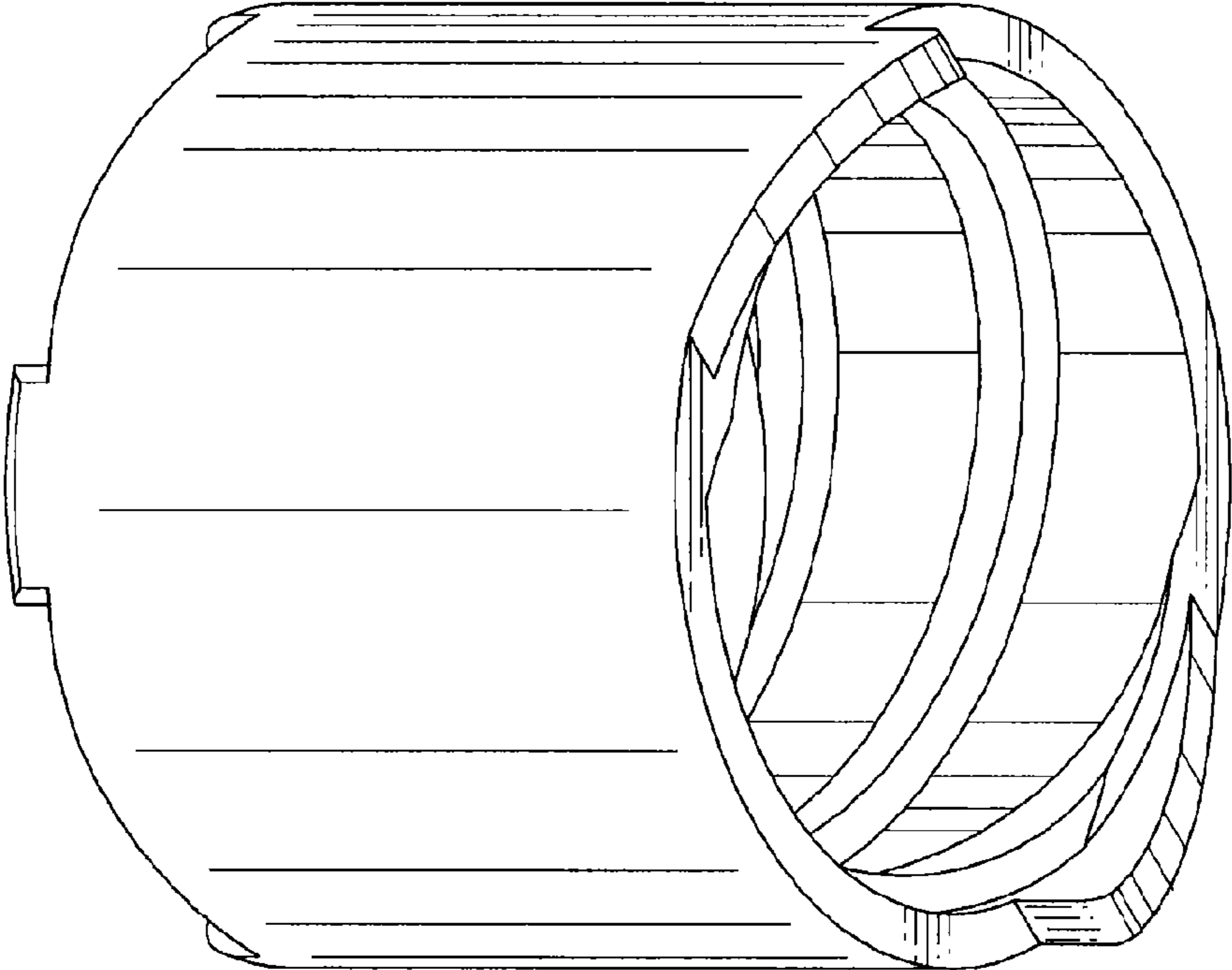


FIG. 3

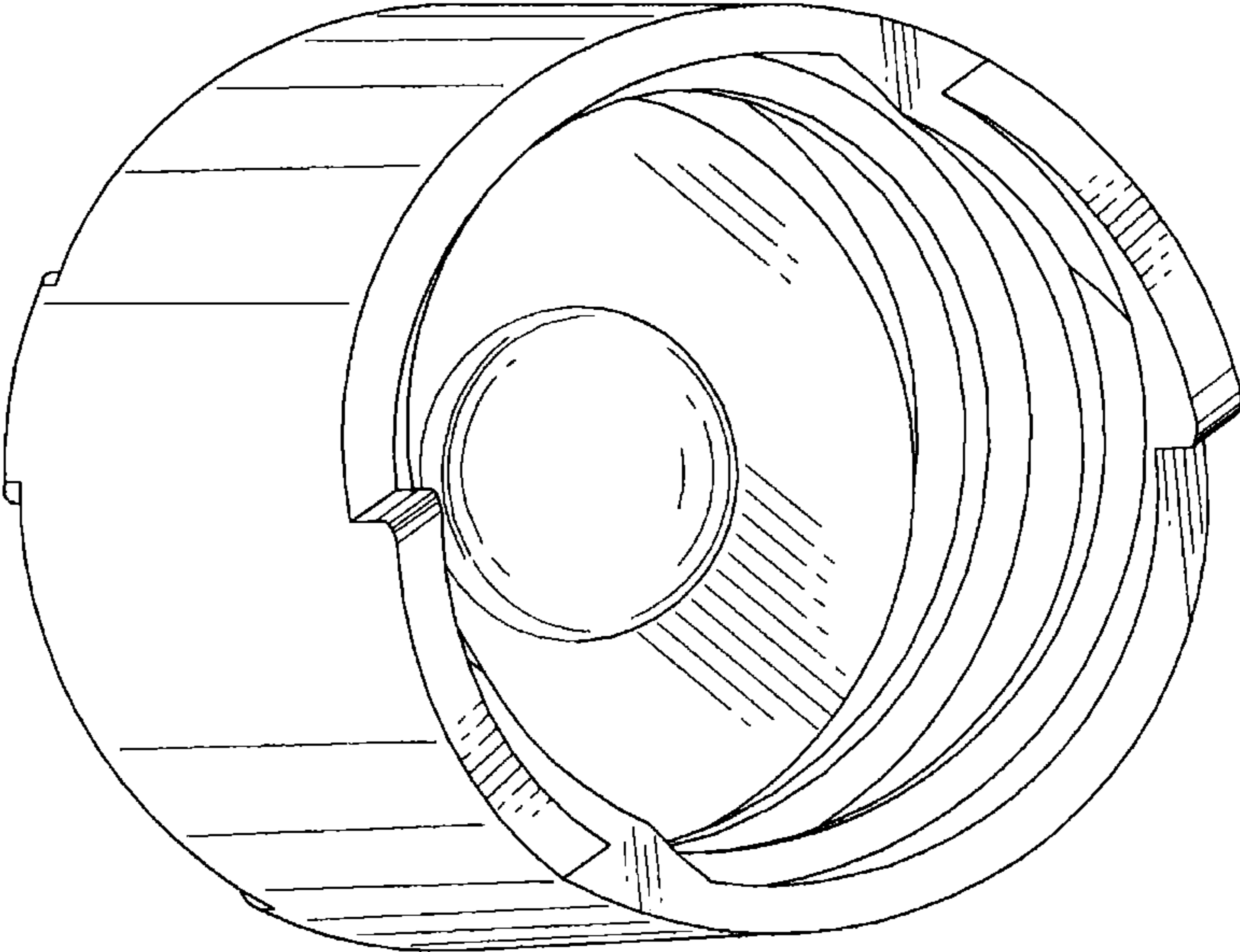


FIG. 4

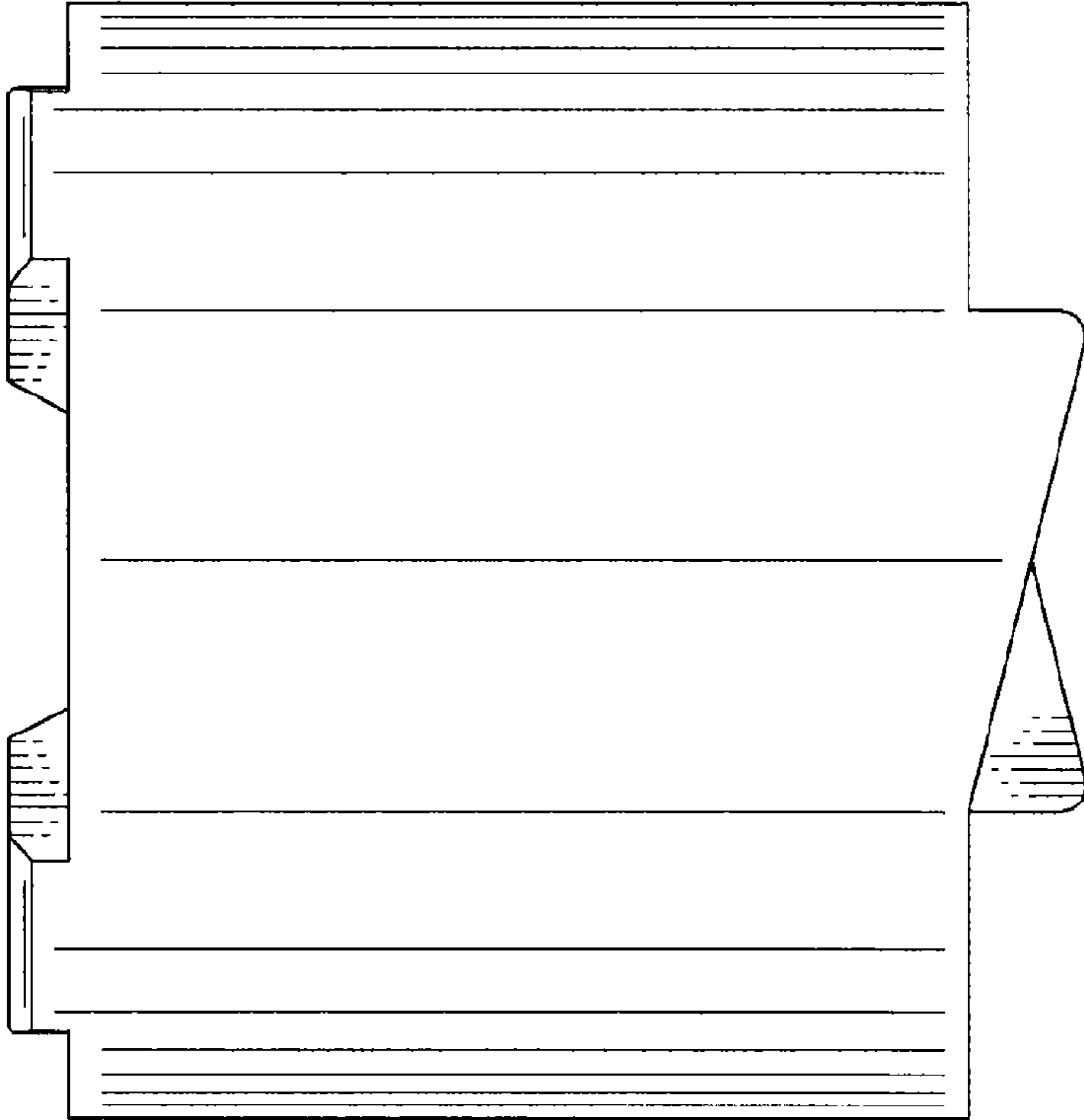


FIG. 5

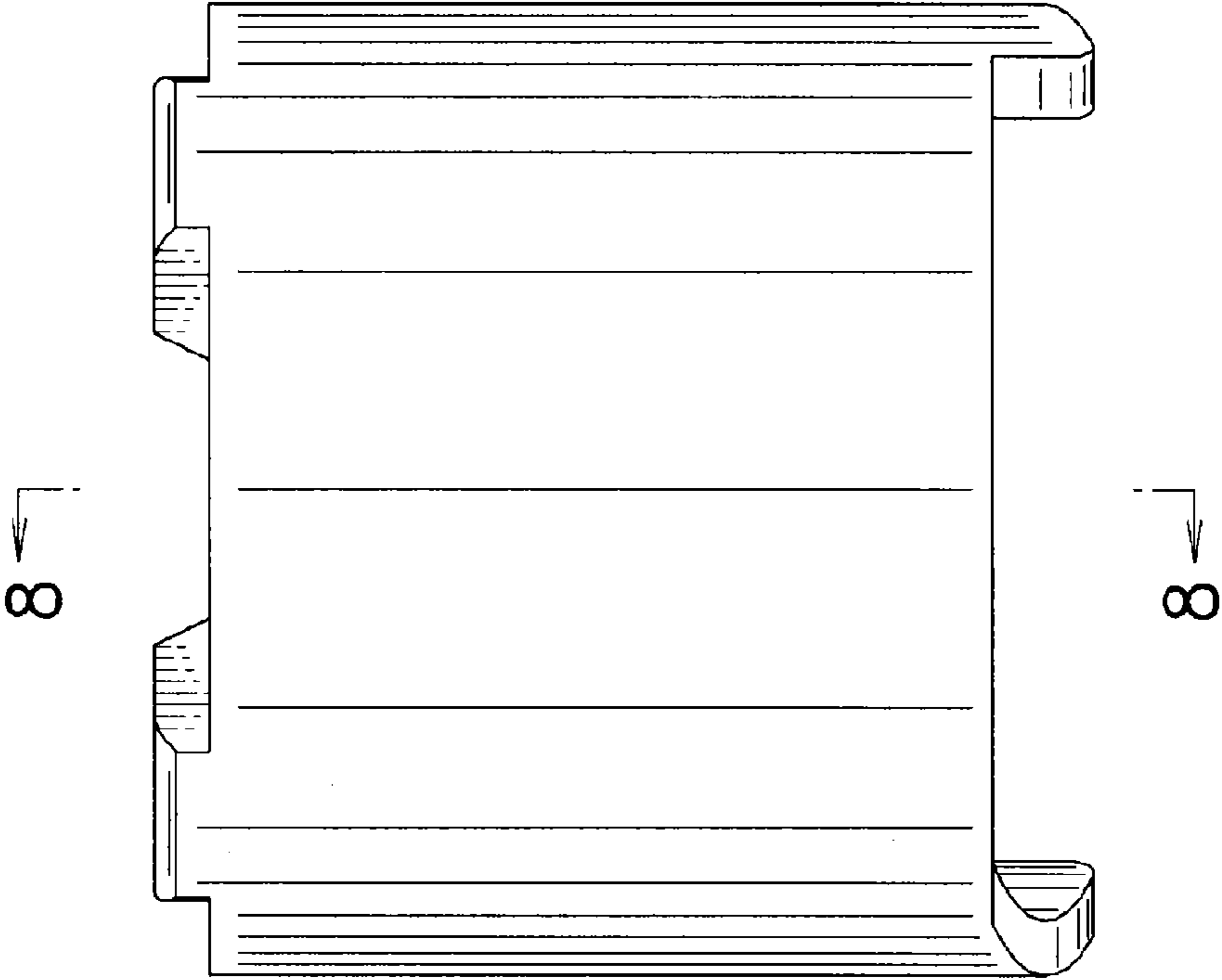


FIG. 6

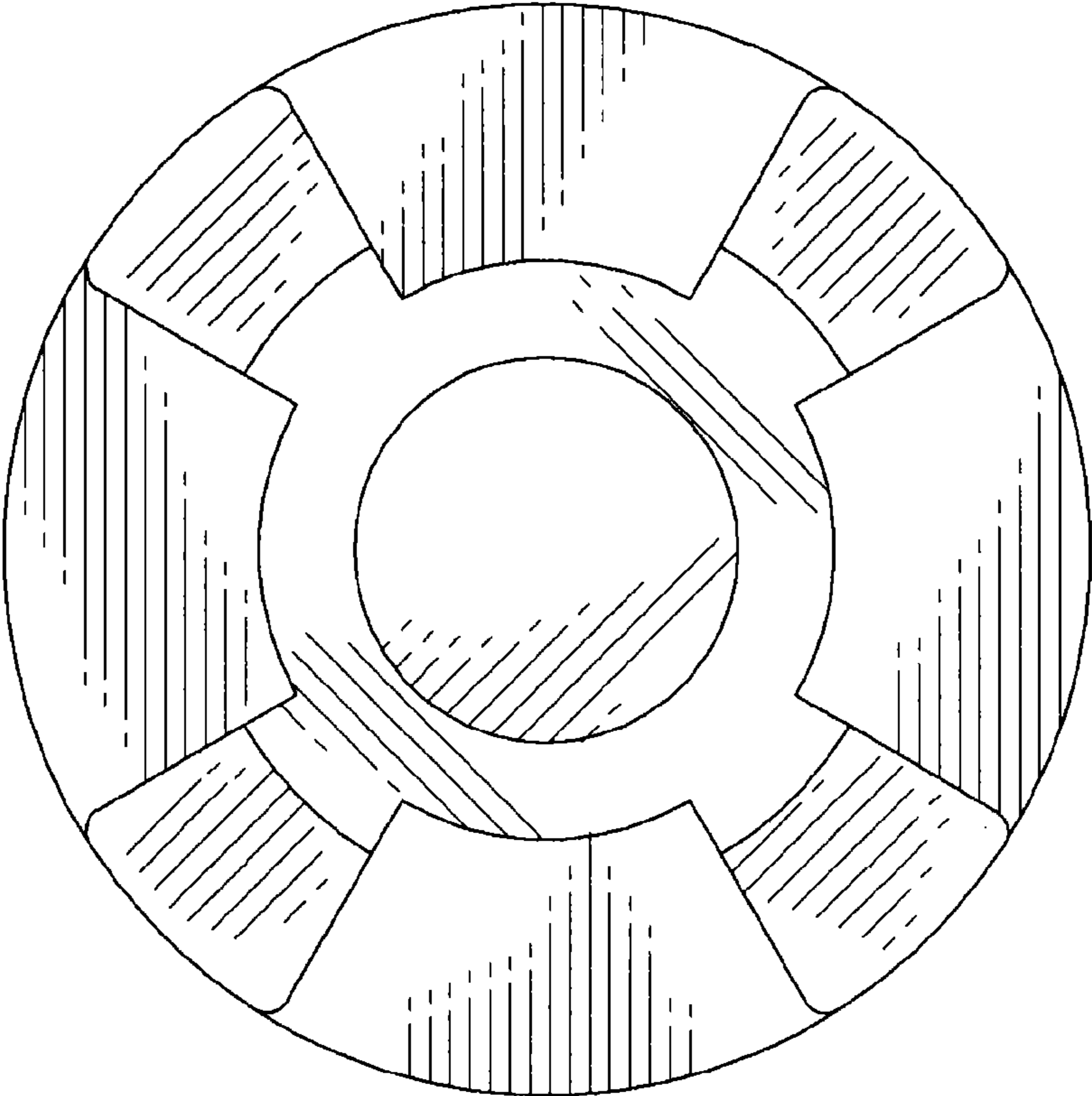


FIG. 7

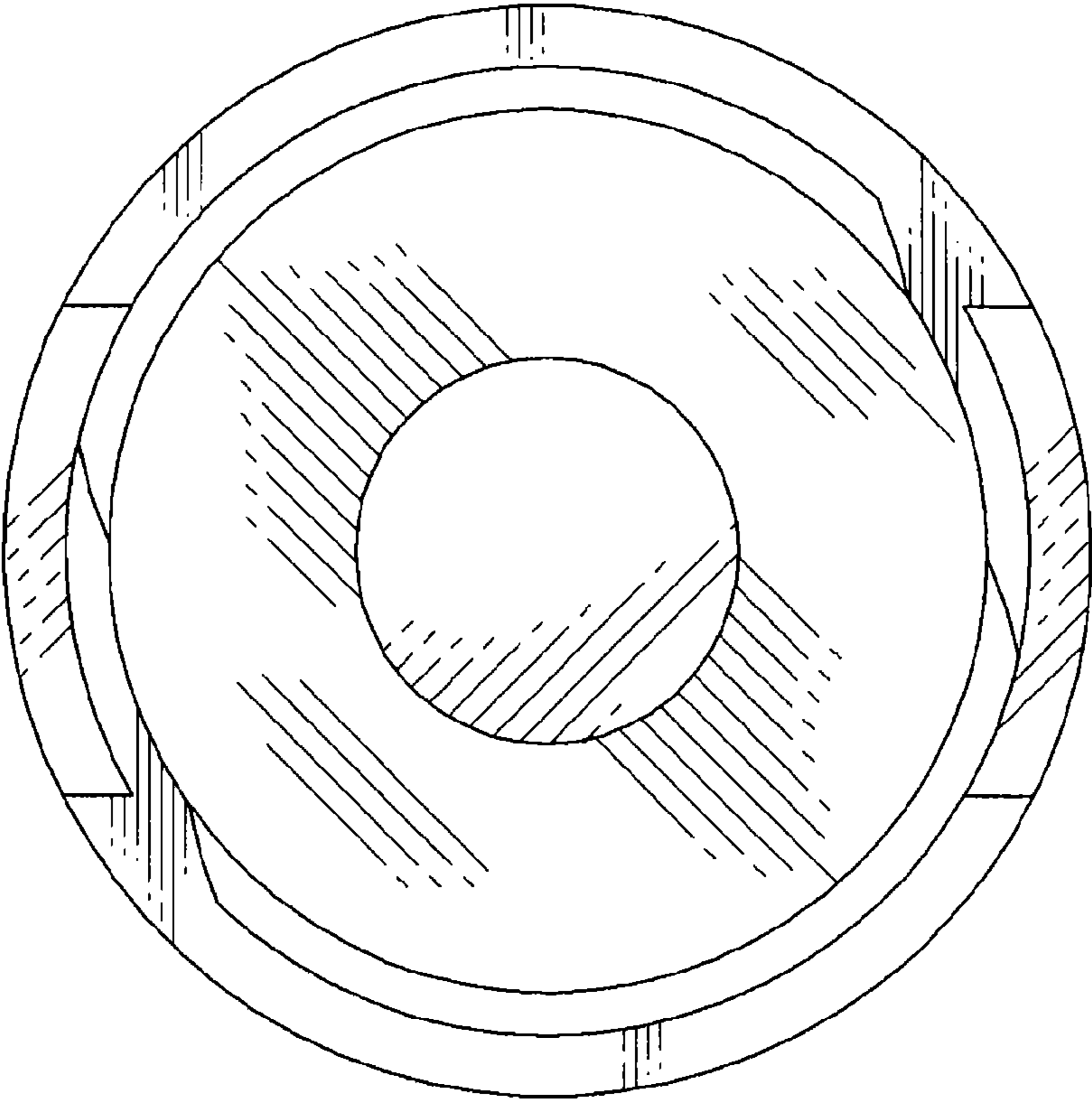


FIG. 8

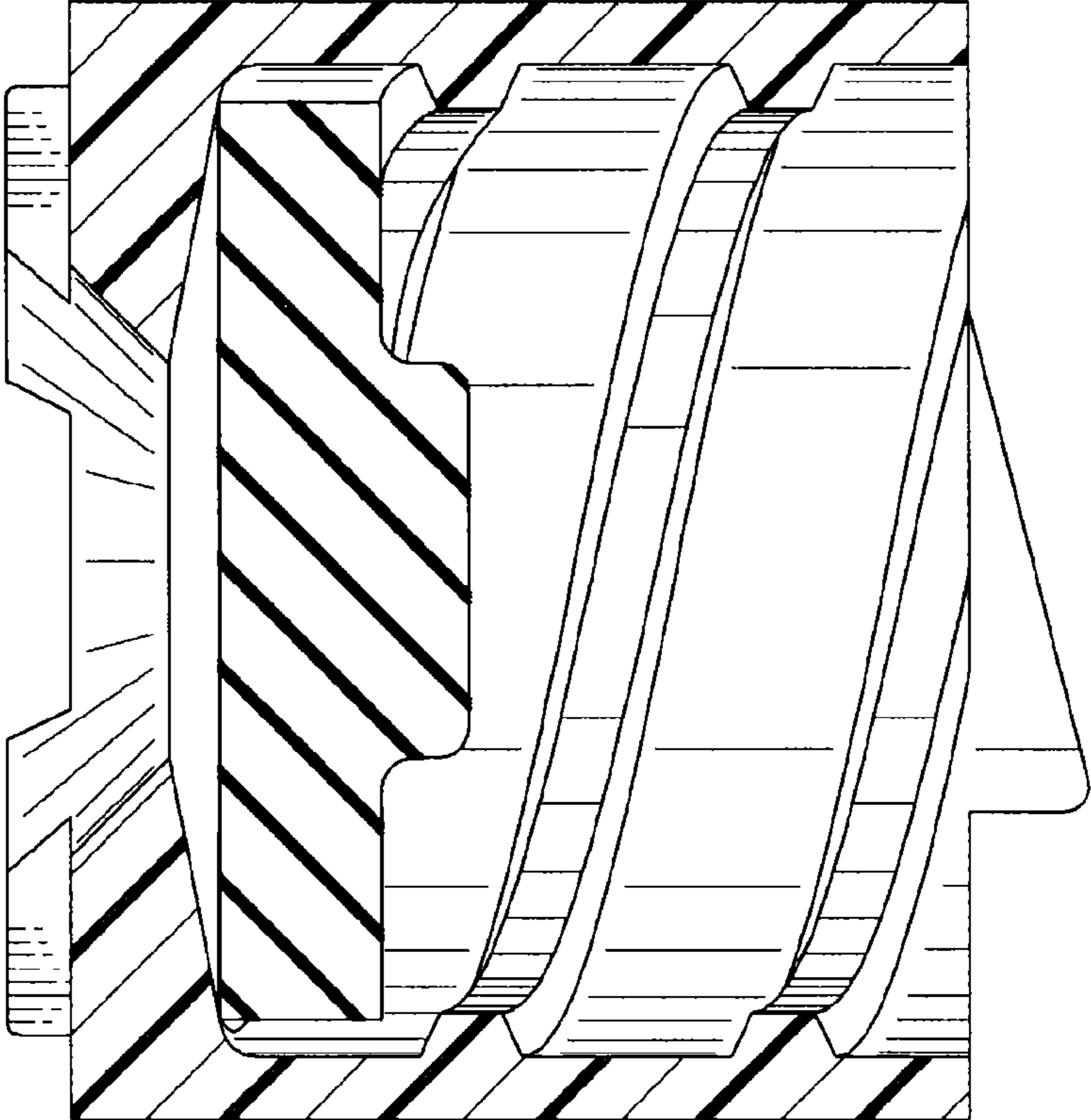


FIG. 9

