



US00D707555S

(12) **United States Design Patent**
Vogel et al.

(10) **Patent No.:** **US D707,555 S**
(45) **Date of Patent:** **** Jun. 24, 2014**

(54) **CLOSURE WITH INTEGRATED DOSAGE CUP**

(75) Inventors: **William C. Vogel**, Mequon, WI (US);
Terrence M. Parve, Menomonee Falls,
WI (US); **Michael Walker**, Kalamazoo,
MI (US)

(73) Assignee: **Gateway Plastics, Inc.**, Mequon, WI
(US)

(**) Term: **14 Years**

(21) Appl. No.: **29/411,478**

(22) Filed: **Jan. 20, 2012**

(51) **LOC (10) Cl.** **09-07**

(52) **U.S. Cl.**
USPC **D9/436**

(58) **Field of Classification Search**
USPC D9/435, 436, 439, 443, 445, 447, 451,
D9/452, 453, 454, 629, 705, 708, 709,
D9/716; 220/212, 266, 288, 377; D24/114,
D24/194, 197, 224; D10/46.2; 215/228, 230
See application file for complete search history.

(56) **References Cited**

U.S. PATENT DOCUMENTS

202,268 A	4/1878	Keller	
1,780,875 A	11/1930	Gordon	
1,869,712 A	8/1932	Palmer	
2,108,692 A	2/1938	Pieck	
D162,893 S *	4/1951	Soffer	D9/443
2,762,526 A	9/1956	Gilmour	
D223,812 S *	6/1972	Long	D9/453
4,135,404 A	1/1979	Butler, Jr.	
4,270,664 A	6/1981	Buono	
4,318,500 A	3/1982	Melikian	
4,550,862 A	11/1985	Barker et al.	
4,566,508 A	1/1986	Bowyer	

4,566,509 A	1/1986	Szajna
4,660,746 A	4/1987	Wright
4,802,597 A	2/1989	Dubach
4,844,302 A	7/1989	Lay
4,890,770 A	1/1990	Haga et al.
5,078,289 A	1/1992	Bolton et al.
5,115,929 A	5/1992	Buono
5,181,630 A	1/1993	McNally
5,197,616 A	3/1993	Buono
5,228,596 A	7/1993	McNally
5,261,569 A	11/1993	Sandwell
5,370,251 A	12/1994	Buono
5,464,110 A	11/1995	Heyworth
5,513,780 A	5/1996	Buono

(Continued)

Primary Examiner — Susan Bennett Hattan

Assistant Examiner — Leanne Was

(74) *Attorney, Agent, or Firm* — Foley & Lardner LLP

(57) **CLAIM**

We claim the ornamental design for a closure with integrated dosage cup, as shown and described.

DESCRIPTION

FIG. 1 is a top perspective view of an embodiment of the claimed design;

FIG. 2 is a first elevation view of the claimed design of FIG. 1;

FIG. 3 is a second elevation view of the claimed design of FIG. 1;

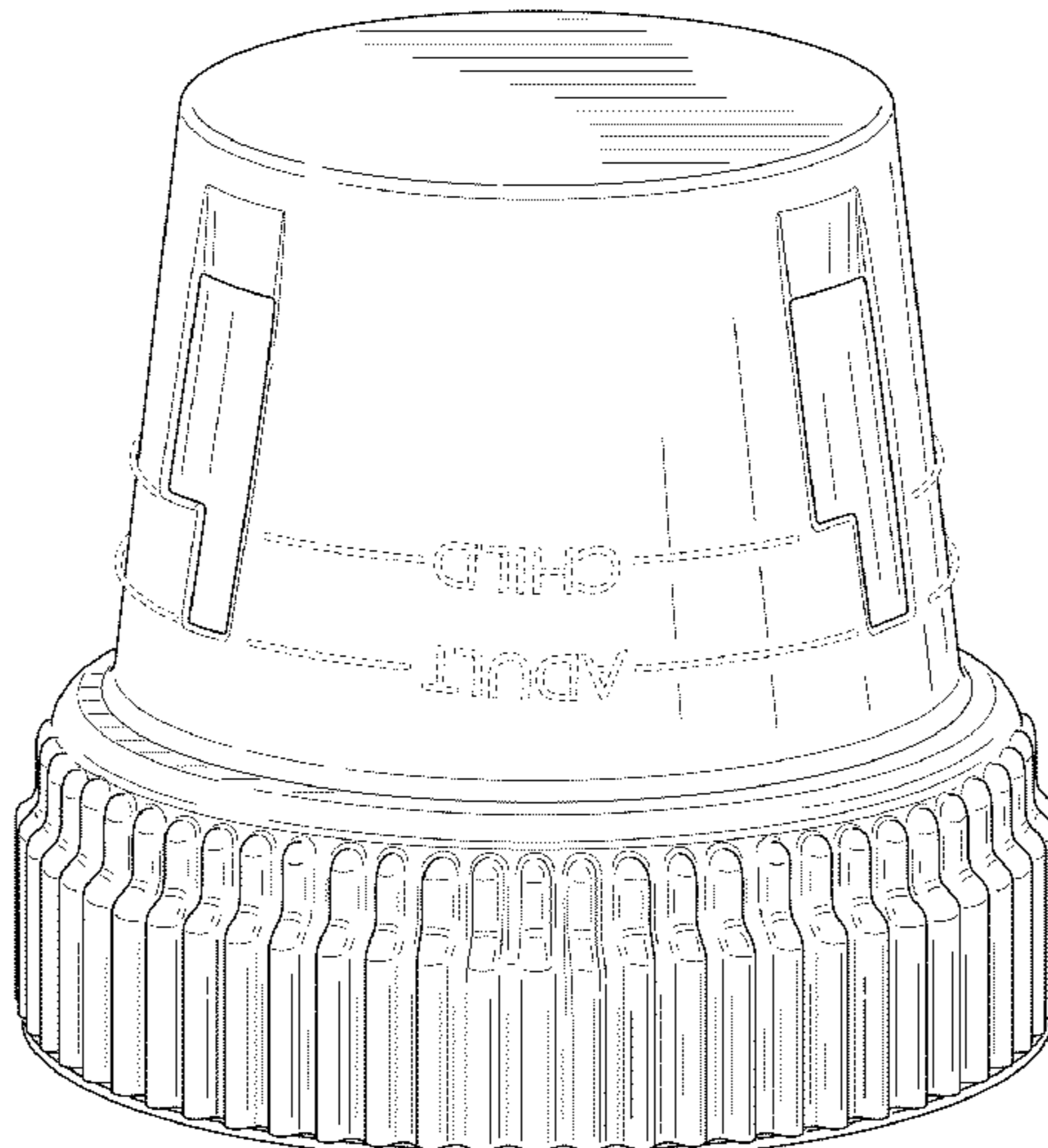
FIG. 4 is a top plan view of the claimed design of FIG. 1;

FIG. 5 is a bottom plan view of the claimed design of FIG. 1; and,

FIG. 6 is a cross sectional view of the claimed design of FIG. 1 taken along a line 6-6 in FIG. 4.

The ornamental design which is claimed is shown in solid lines in the drawings. The broken lines in the drawings are for illustrative purposes only and form no part of the claimed design.

1 Claim, 6 Drawing Sheets



(56)

References Cited

U.S. PATENT DOCUMENTS

5,531,349	A	7/1996	Wojcik et al.				
5,549,224	A	8/1996	Wu et al.				
5,579,934	A	12/1996	Buono				
5,667,106	A	9/1997	Robbins, III				
5,794,803	A	8/1998	Sprick				
5,865,330	A	2/1999	Buono				
5,873,493	A	2/1999	Robinson				
5,881,894	A	3/1999	Gargano				
D417,397	S *	12/1999	Forecast et al.	D9/453		
D419,071	S *	1/2000	Peters et al.	D9/453		
D421,222	S *	2/2000	Boyer et al.	D9/447		
D421,223	S *	2/2000	Briere et al.	D9/453		
D421,389	S *	3/2000	Briere et al.	D9/453		
D421,909	S *	3/2000	Opresco	D9/443		
6,036,036	A	3/2000	Bilani et al.				
D426,159	S *	6/2000	Briere et al.	D9/453		
6,223,946	B1	5/2001	Geisinger et al.				
D446,118	S *	8/2001	Michael et al.	D9/443		
6,273,152	B1	8/2001	Buehler et al.				
6,276,572	B1	8/2001	Evans				
6,343,723	B1	2/2002	Hickerson				
6,371,316	B1	4/2002	Herr et al.				
D465,731	S *	11/2002	Brant et al.	D9/453		
D470,051	S *	2/2003	Bloom et al.	D9/435		
6,543,649	B1	4/2003	Danielo et al.				
D476,563	S	7/2003	Brozell et al.				
6,601,740	B1	8/2003	Clive				
6,612,450	B1	9/2003	Buono				
6,648,188	B2	11/2003	Brecheisen et al.				
6,705,495	B2	3/2004	Brecheisen et al.				
D494,468	S *	8/2004	Vovan	D9/435		
6,904,867	B2	6/2005	Zamjahn				
7,032,632	B2	4/2006	Shingle				
7,097,071	B2	8/2006	Anderson et al.				
7,147,020	B2	12/2006	Bronner				
7,168,461	B2	1/2007	DeJonge				
7,213,620	B2	5/2007	DeJonge				
D548,075	S *	8/2007	Mavin et al.	D9/435		
D548,081	S *	8/2007	Noonan	D9/453		
7,296,700	B2	11/2007	Steele et al.				
D574,239	S *	8/2008	Lin	D9/453		
D610,456	S *	2/2010	Rognard	D9/452		
D612,731	S *	3/2010	Bragg	D9/453		
D619,004	S *	7/2010	Fallat et al.	D9/454		
D621,522	S *	8/2010	Wilkinson	D24/224		
D631,350	S *	1/2011	Beach et al.	D9/453		
D631,351	S *	1/2011	Coon	D9/453		
D647,627	S *	10/2011	Wilkinson	D24/224		
2004/0118881	A1	6/2004	Brecheisen et al.				
2008/0017665	A1	1/2008	Brecheisen et al.				
2008/0142547	A1	6/2008	Colacioppo et al.				
2009/0159544	A1	6/2009	Tune				
2011/0248048	A1	10/2011	Fernandez De Mendiola Quintana et al.				

* cited by examiner

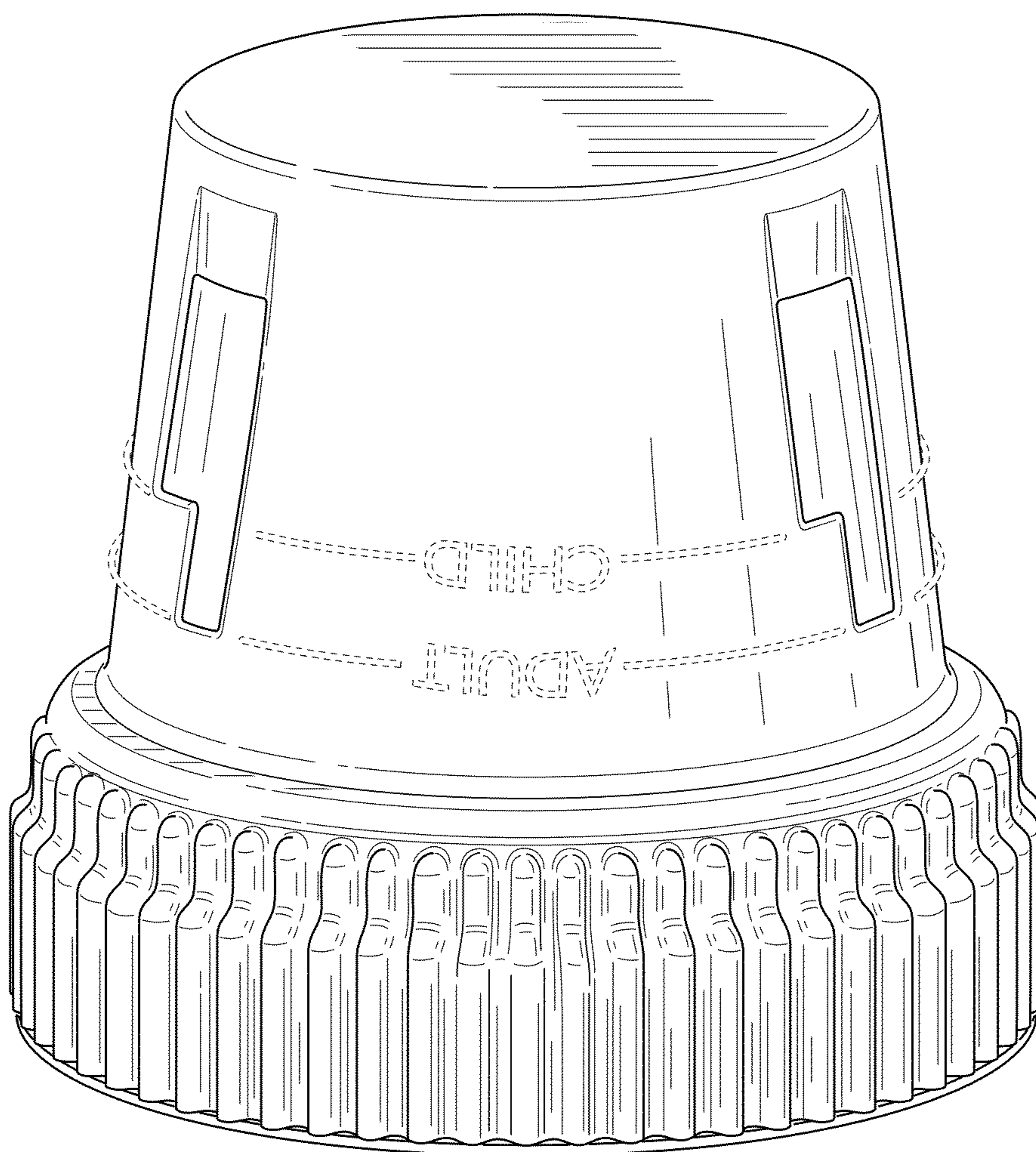


FIG. 1

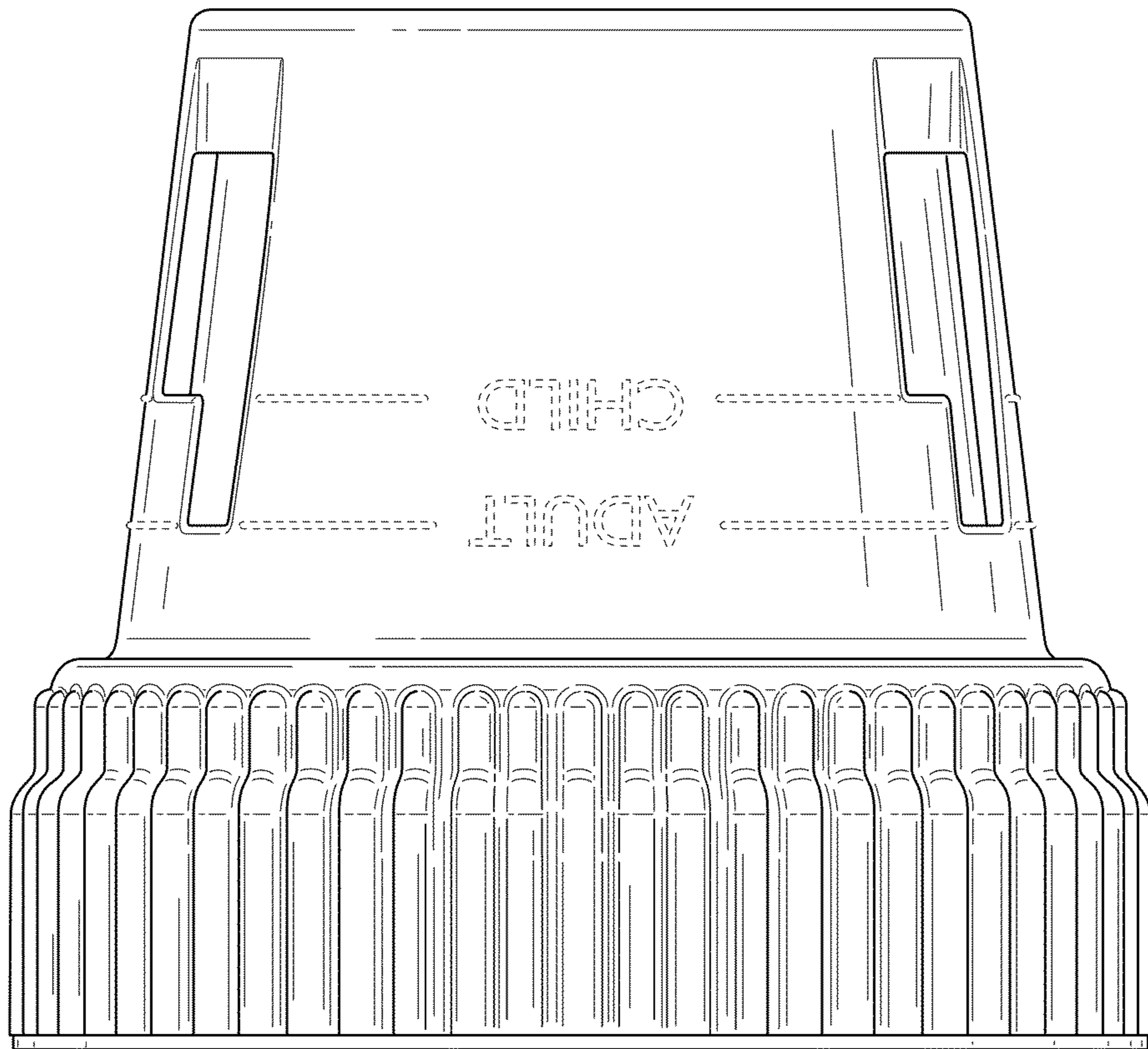


FIG. 2

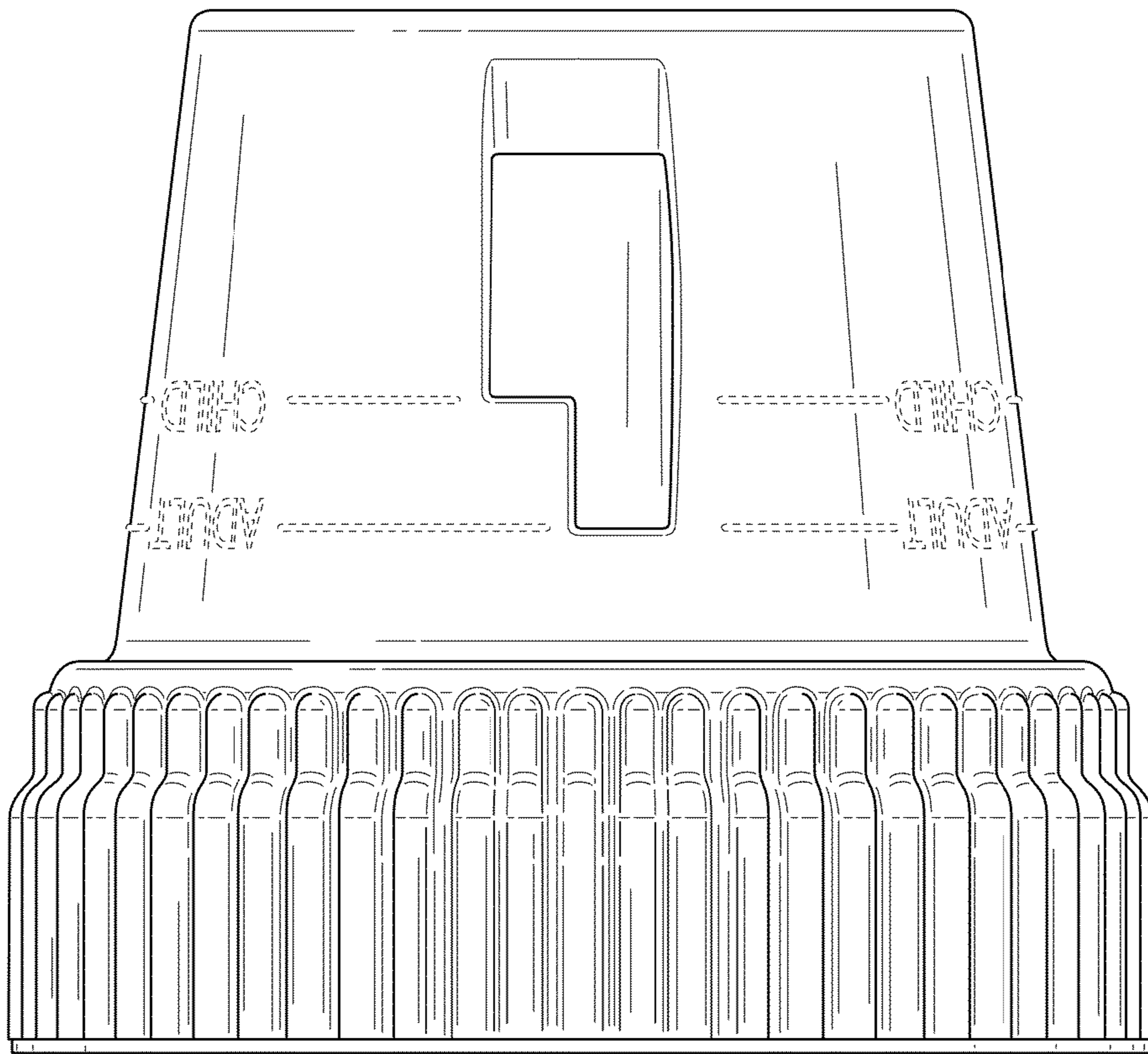


FIG. 3

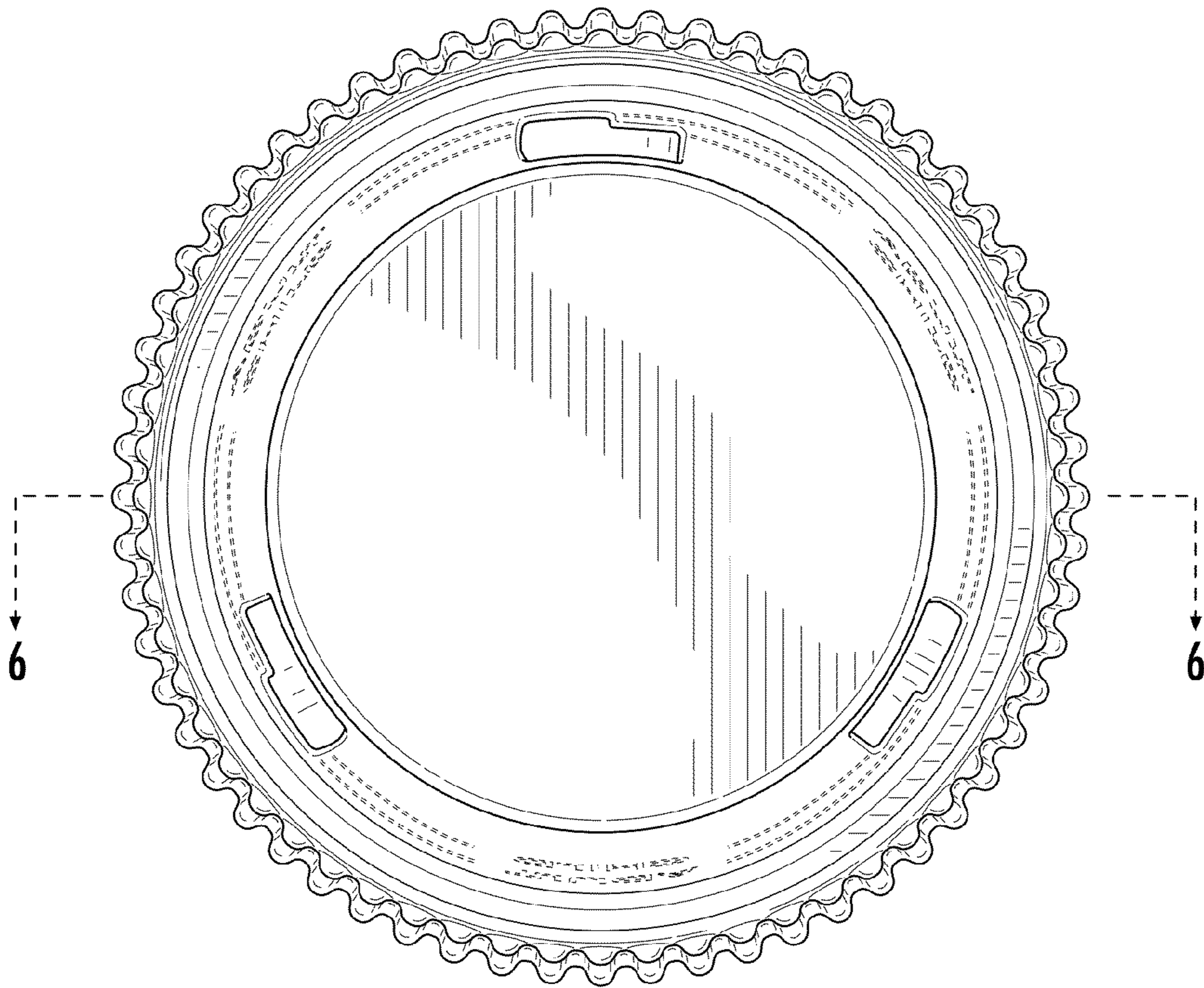


FIG. 4

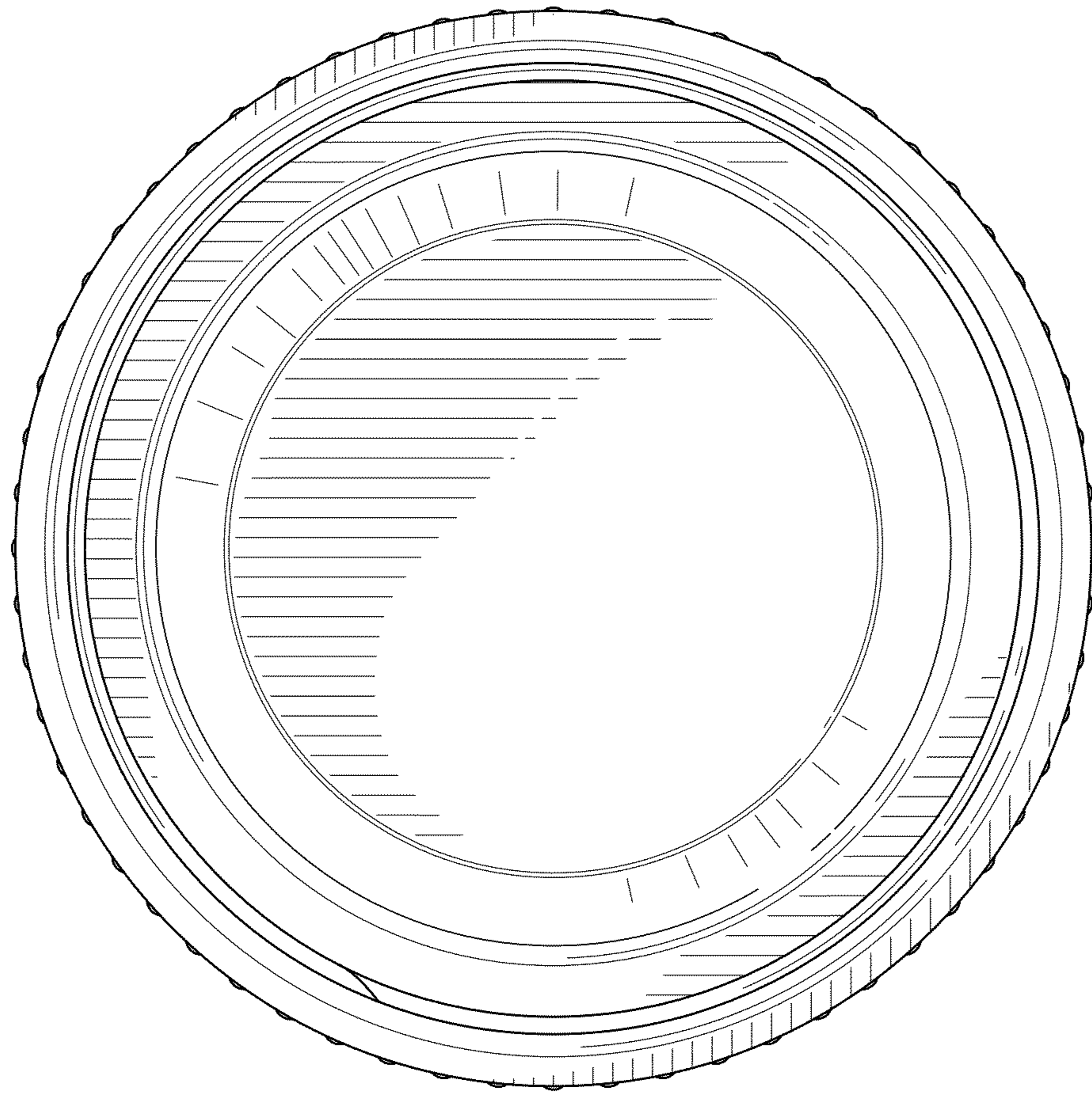


FIG. 5

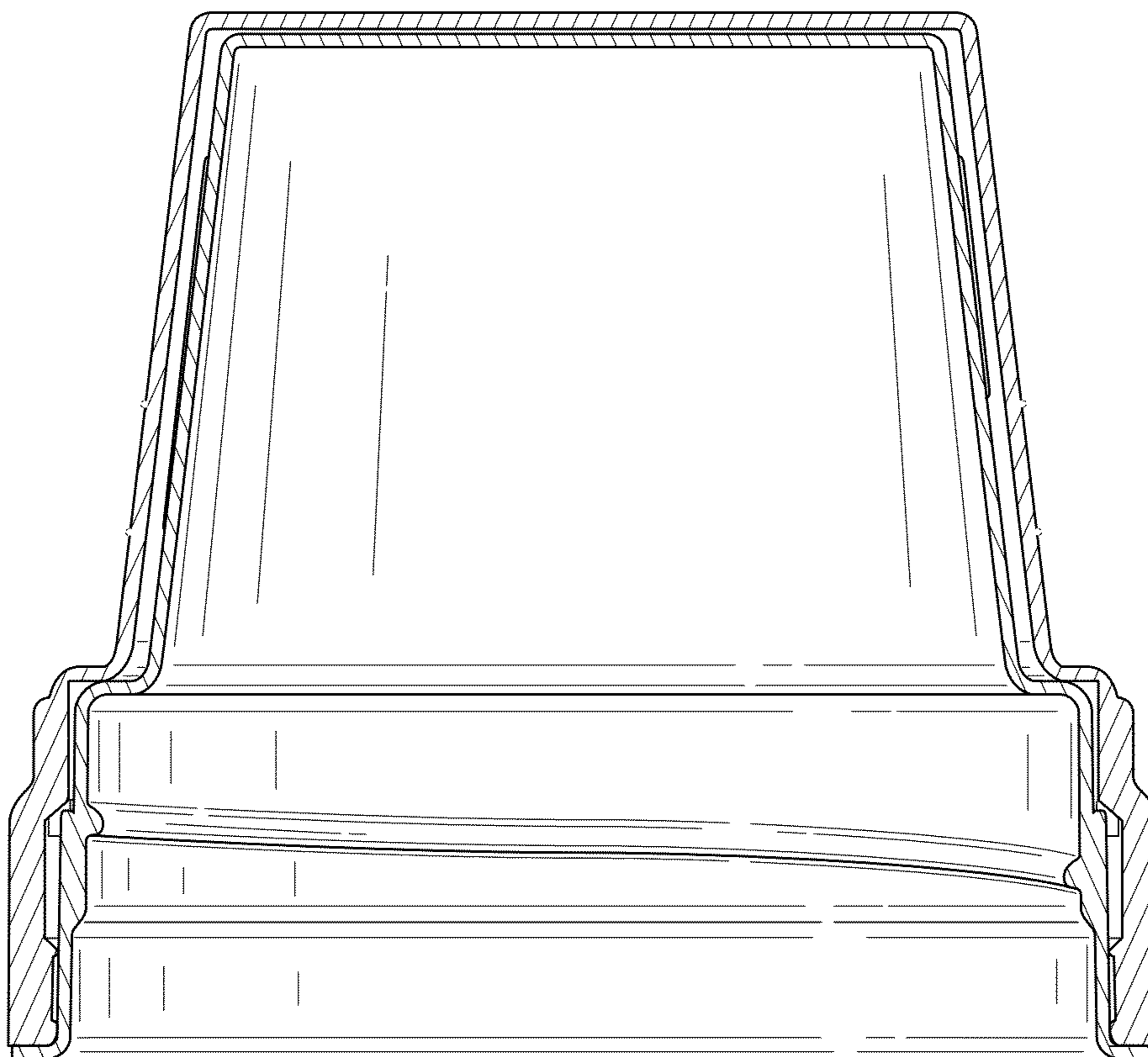


FIG. 6