



US00D707549S

(12) **United States Design Patent**
McAdam

(10) **Patent No.:** **US D707,549 S**
(45) **Date of Patent:** **** Jun. 24, 2014**

- (54) **FOLDING RIGID BOX**
- (71) Applicant: **Leo Paper Bags Manufacturing (1982) Limited**, Kowloon (HK)
- (72) Inventor: **Christine McAdam**, Redondo Beach, CA (US)
- (73) Assignee: **Leo Paper Bags Manufacturing (1982) Limited**, Kowloon (HK)
- (**) Term: **14 Years**
- (21) Appl. No.: **29/456,628**
- (22) Filed: **May 31, 2013**

- D244,430 S * 5/1977 Larkin D9/432
- D263,121 S * 2/1982 Lowry D9/432
- D470,049 S * 2/2003 Gray, III D9/759
- D562,126 S * 2/2008 Kienemund-Paroll D9/418
- D606,857 S * 12/2009 Stewart D9/432
- D606,859 S * 12/2009 Stewart D9/432
- D685,629 S * 7/2013 McAdam D9/420

* cited by examiner

Primary Examiner — Thomas Johannes
(74) *Attorney, Agent, or Firm* — Perkins Coie LLP

(57) **CLAIM**

The ornamental design for the folding rigid box, as shown and described.

DESCRIPTION

FIG. 1 is a front, left perspective view of a folding rigid box showing my new design in a first usage configuration.
 FIG. 2 is a right side view thereof.
 FIG. 3 is a left side view thereof.
 FIG. 4 is a front view thereof.
 FIG. 5 is a rear view thereof.
 FIG. 6 is a top view thereof.
 FIG. 7 is a bottom view thereof.
 FIG. 8 is front, left perspective view thereof in a second usage configuration.
 FIG. 9 is a right side view thereof.
 FIG. 10 is a left side view thereof.
 FIG. 11 is a front view thereof.
 FIG. 12 is a rear view thereof.
 FIG. 13 is a top view thereof.
 FIG. 14 is a bottom view thereof.
 FIG. 15 is a top view thereof; and,
 FIG. 16 is a bottom view thereof.
 The broken line portion of the figure drawings is included to show unclaimed subject matter only and forms no part of the claimed design.

Related U.S. Application Data

- (62) Division of application No. 29/433,407, filed on Sep. 28, 2012, now Pat. No. Des. 685,629.
- (51) **LOC (10) Cl.** **09-03**
- (52) **U.S. Cl.**
USPC **D9/420**
- (58) **Field of Classification Search**
USPC D9/430–433, 414, 418, 420–423;
D3/272; 206/278, 297, 299, 457, 770,
206/737, 822; 229/100, 101, 101.3, 106,
229/108, 108.1, 116.1, 116.3, 116.5, 121,
229/122, 201, 213, 221, 222, 227, 922, 939,
229/942

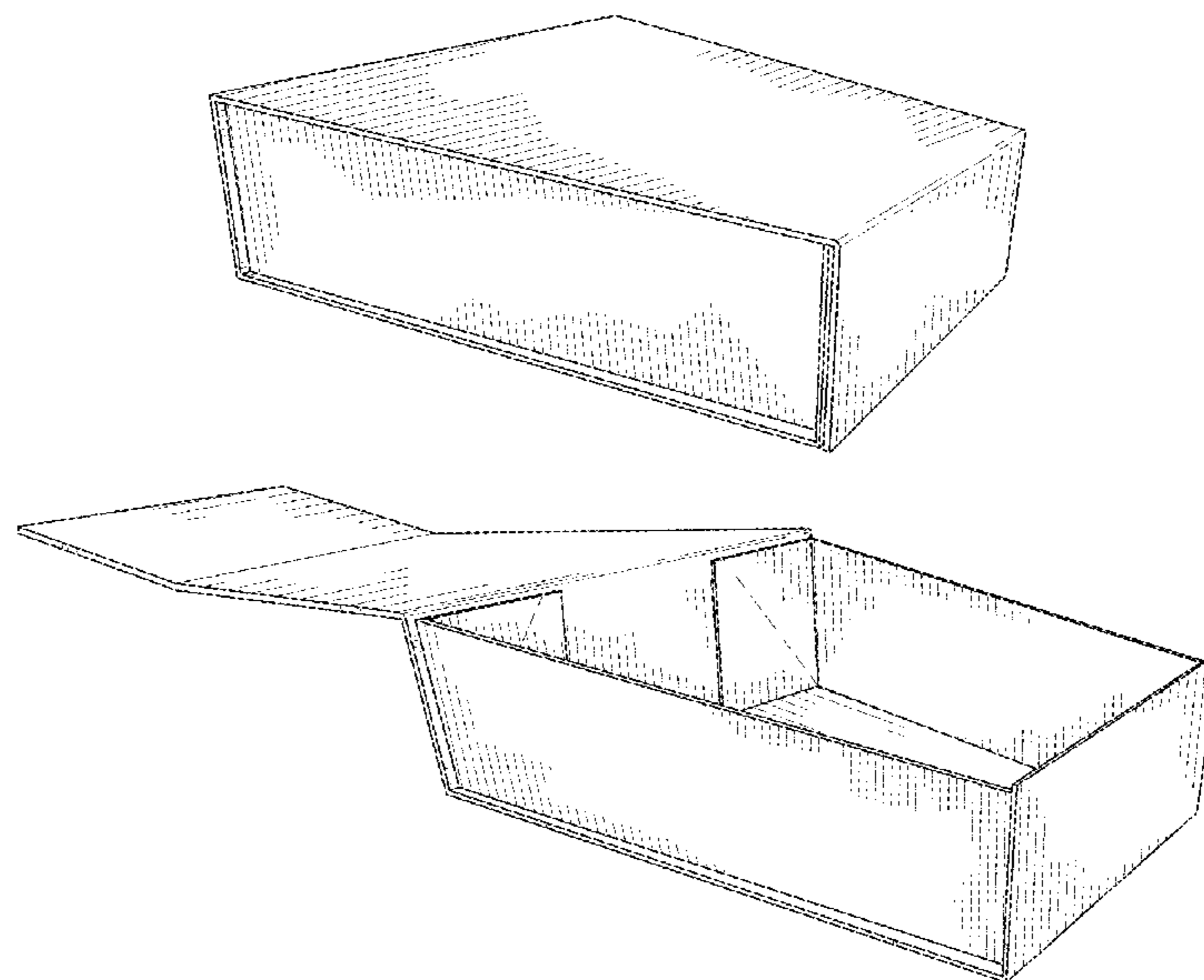
See application file for complete search history.

(56) **References Cited**

U.S. PATENT DOCUMENTS

- D155,246 S * 9/1949 Von Miklos D9/421
- 3,185,293 A * 5/1965 Fletcher 206/45.21
- D217,441 S * 5/1970 Kanaga D9/421
- 4,011,943 A * 3/1977 Galli et al. 206/744

1 Claim, 9 Drawing Sheets



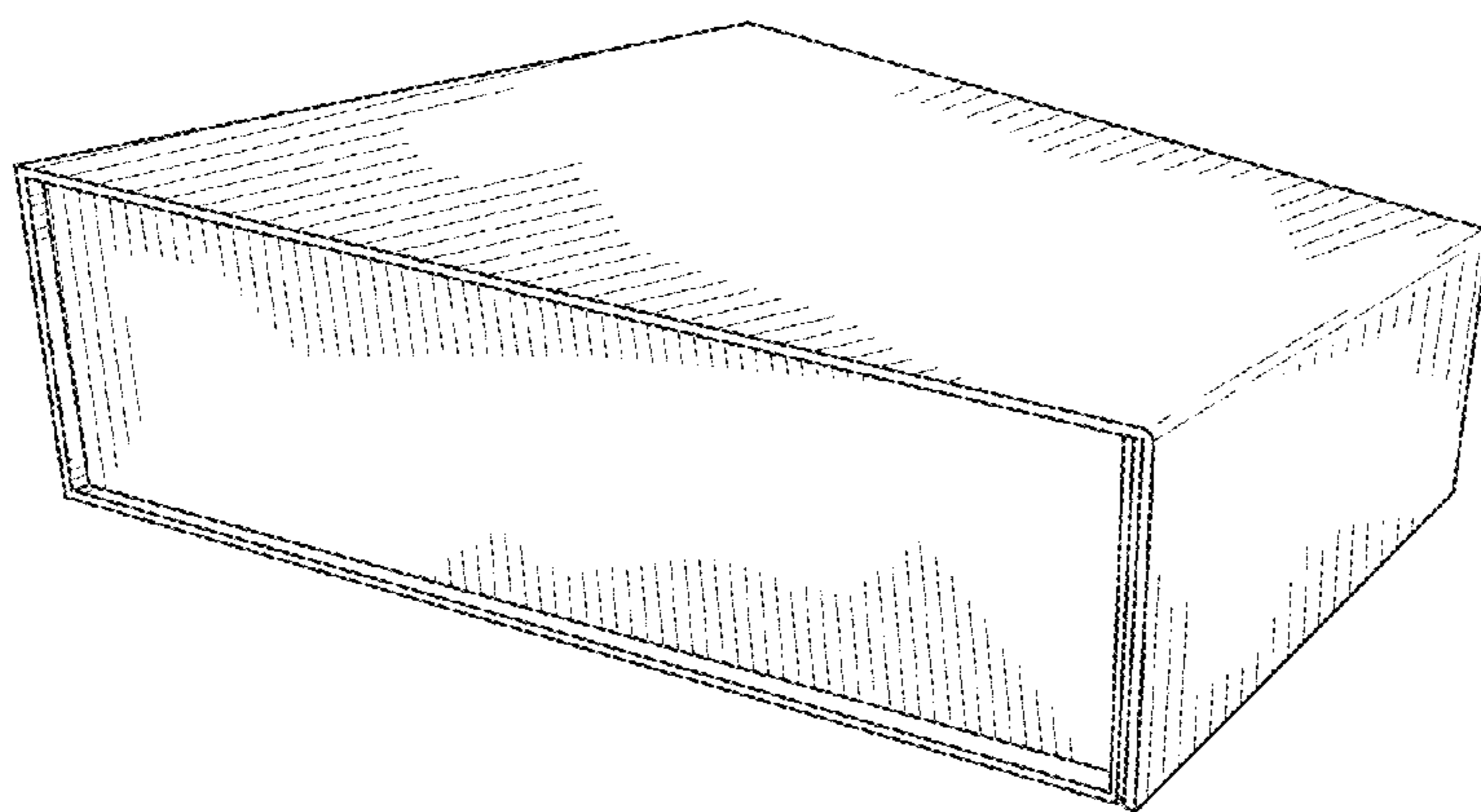


Fig. 1

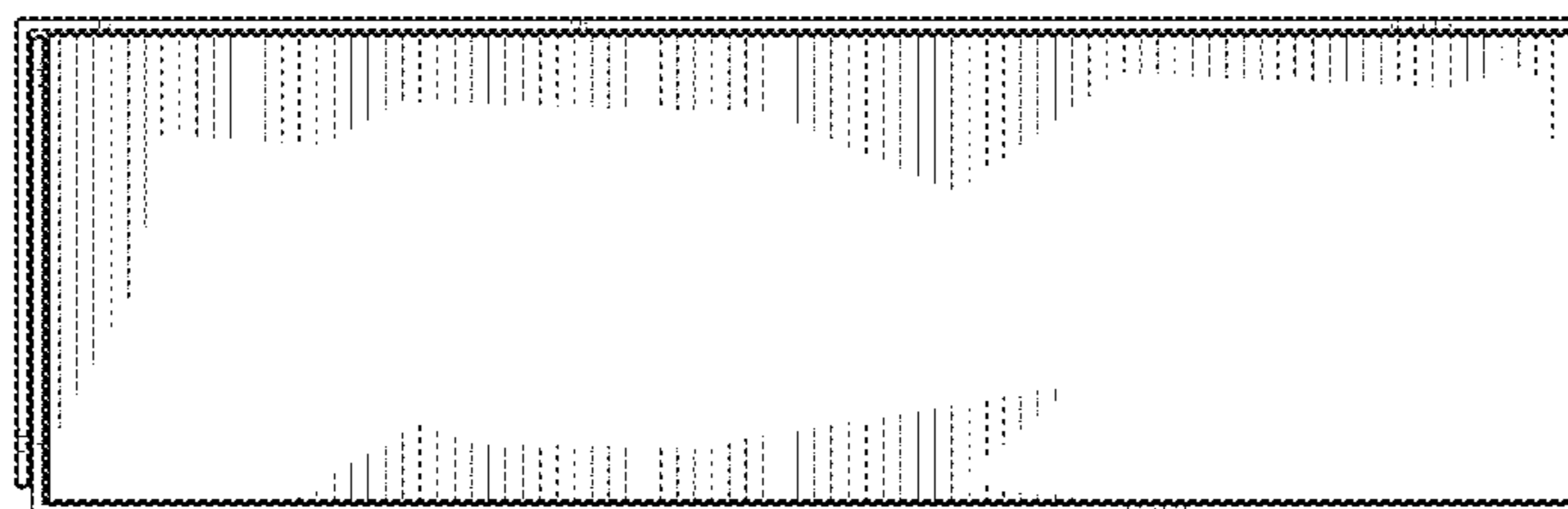


Fig. 2

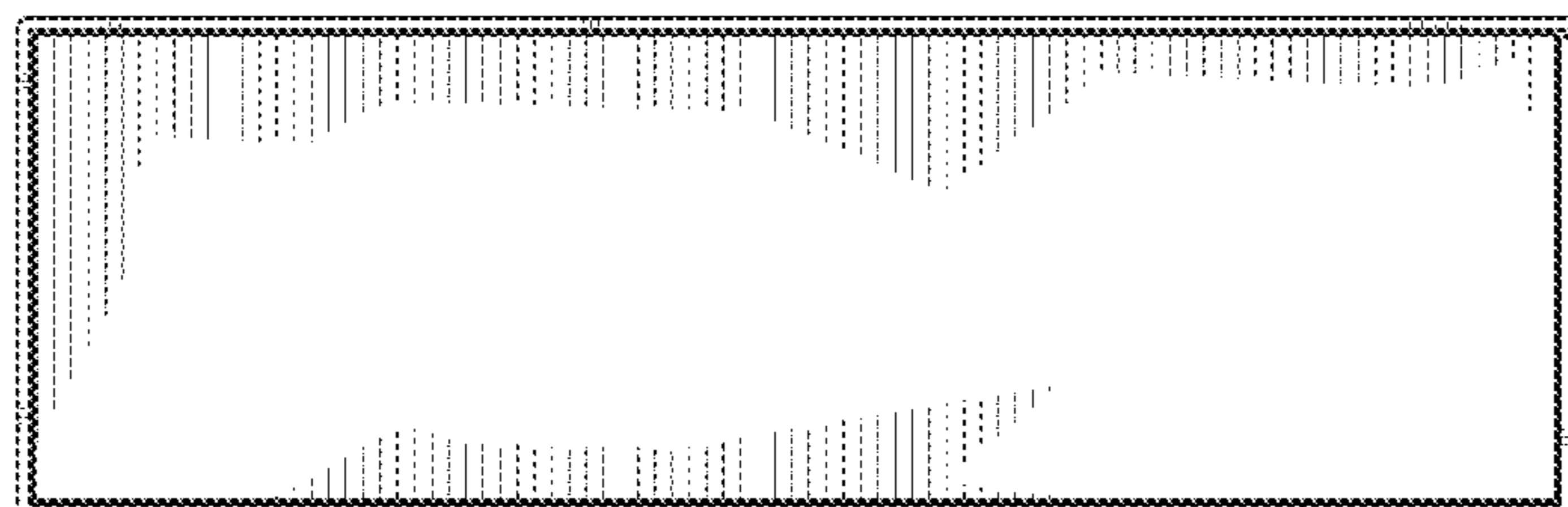


Fig. 3

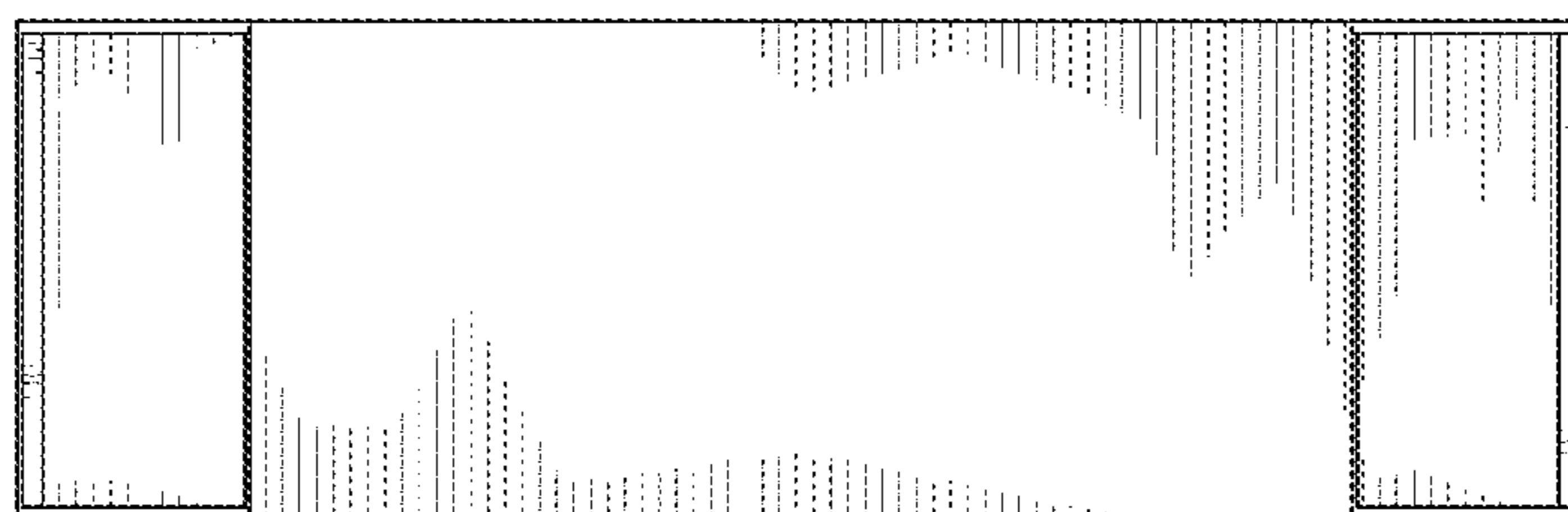


Fig. 4

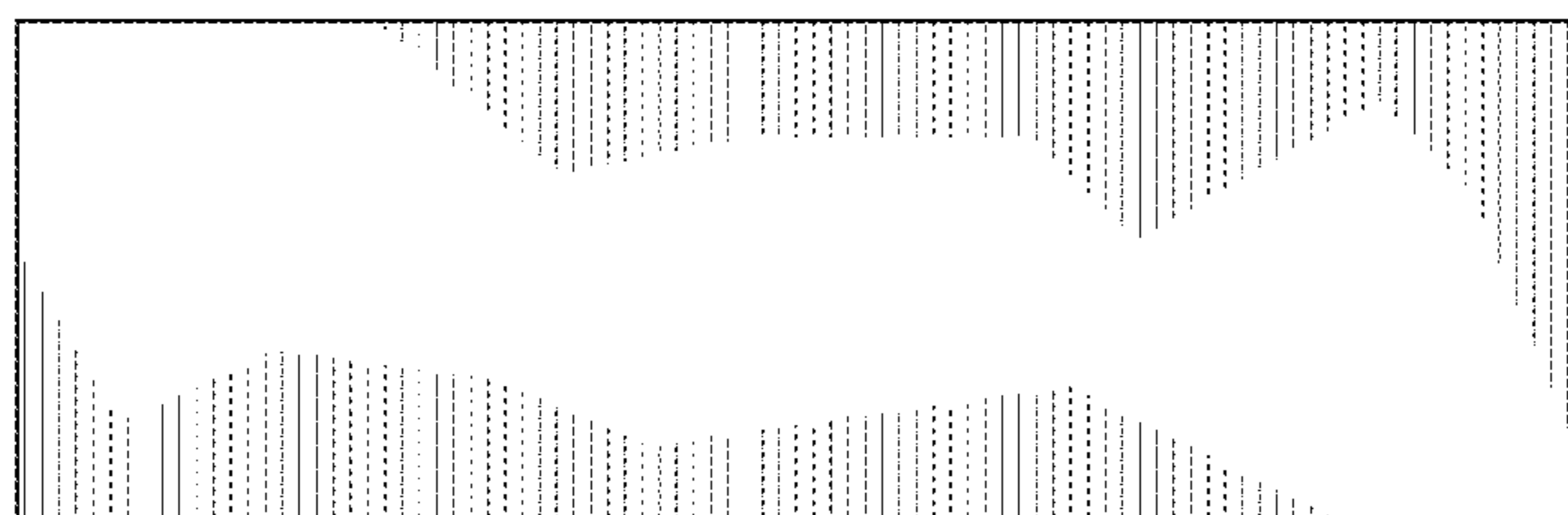


Fig. 5

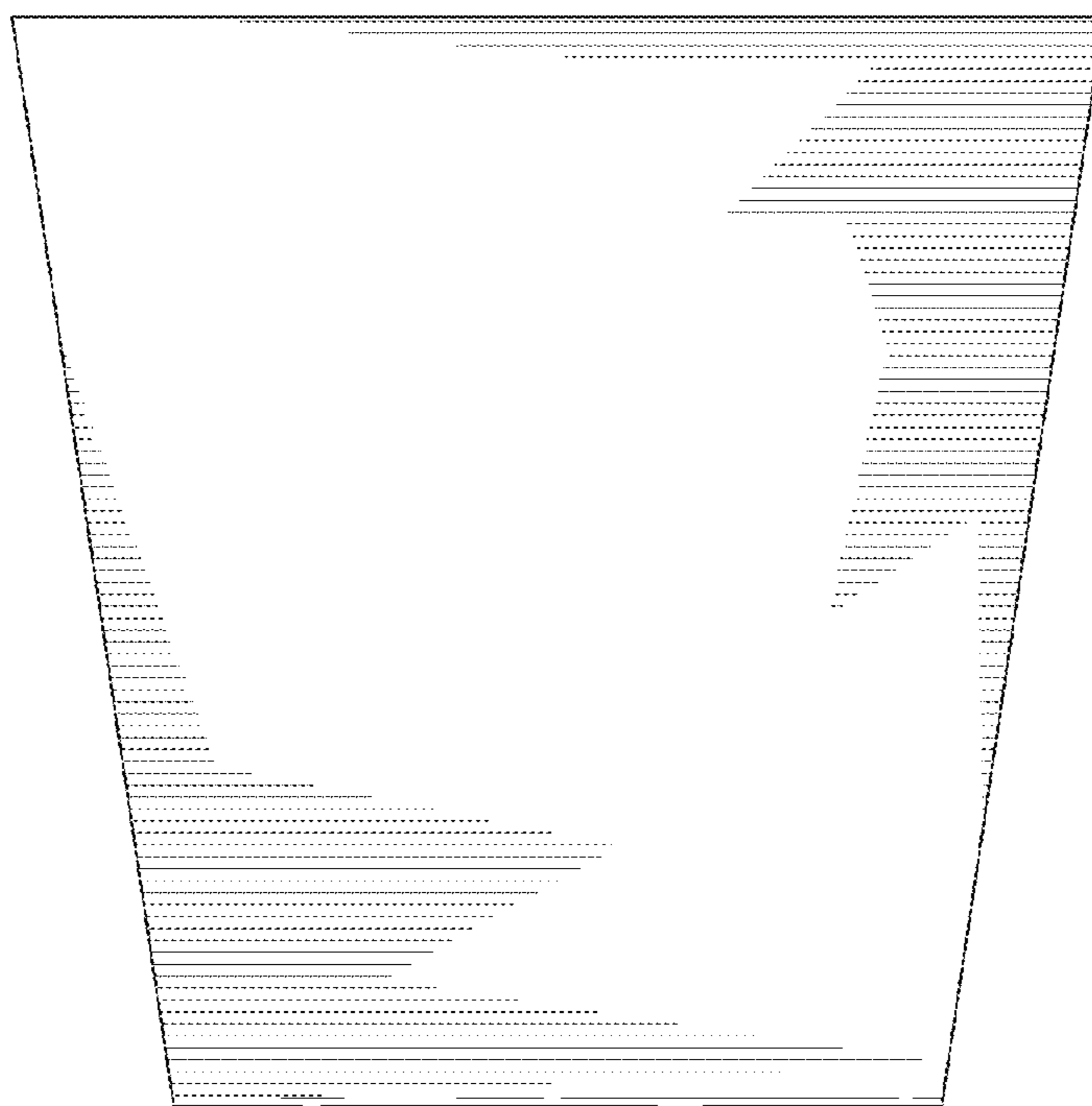


Fig. 6

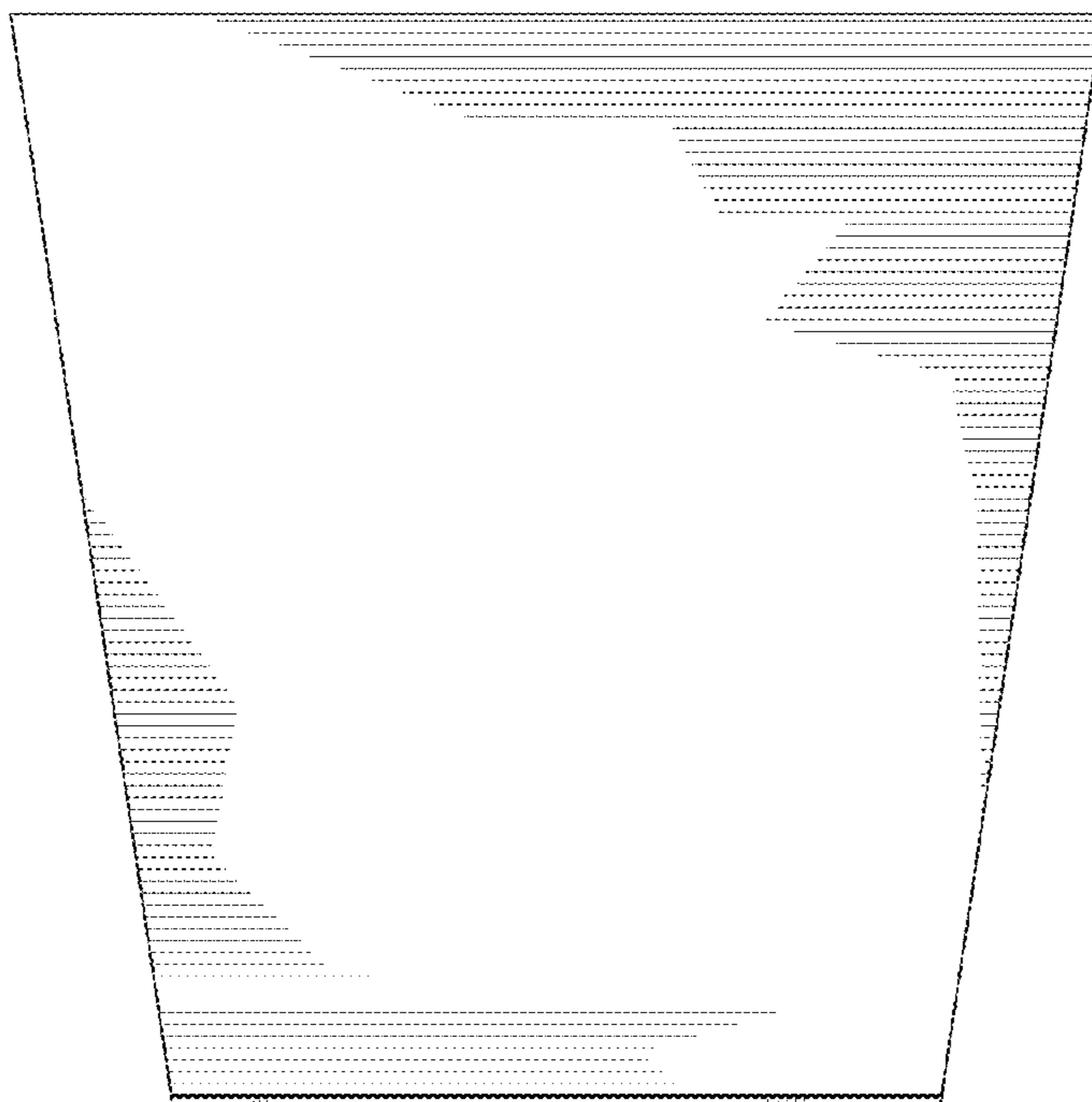


Fig. 7

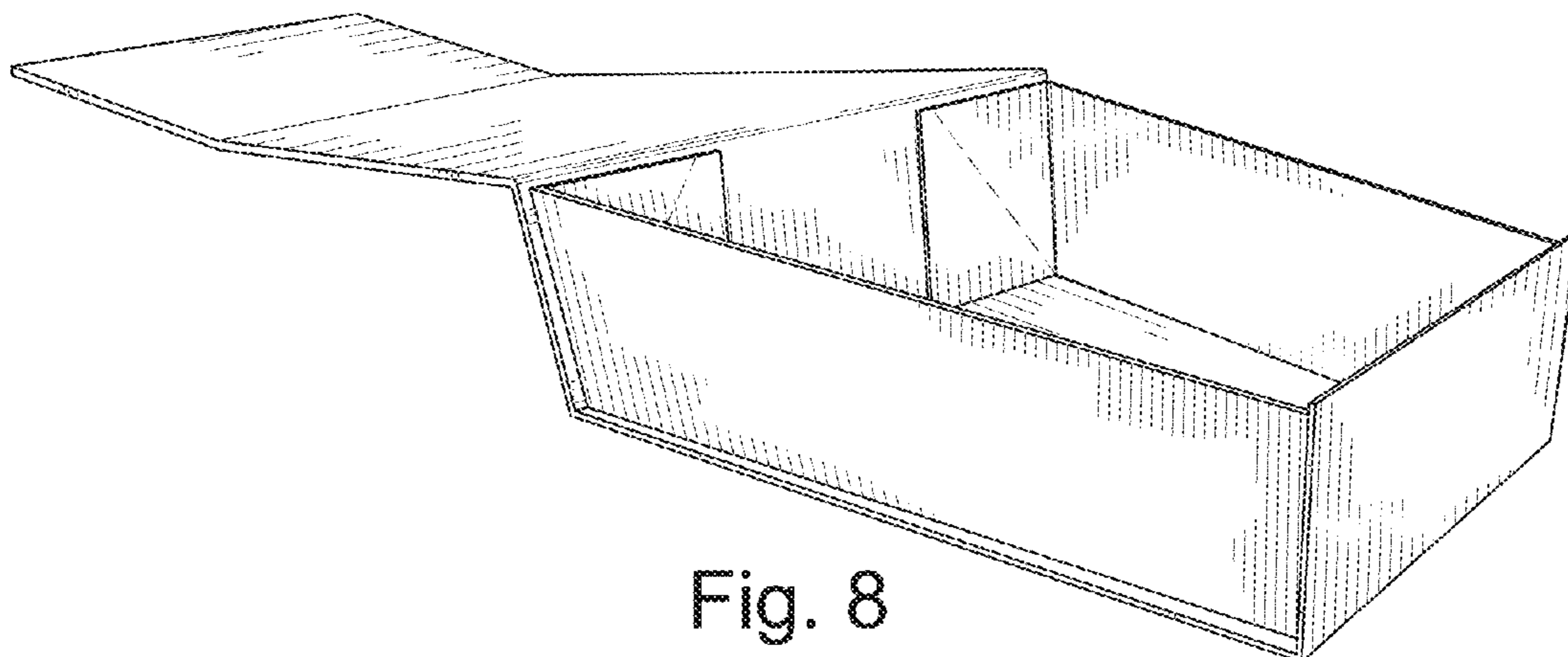


Fig. 8

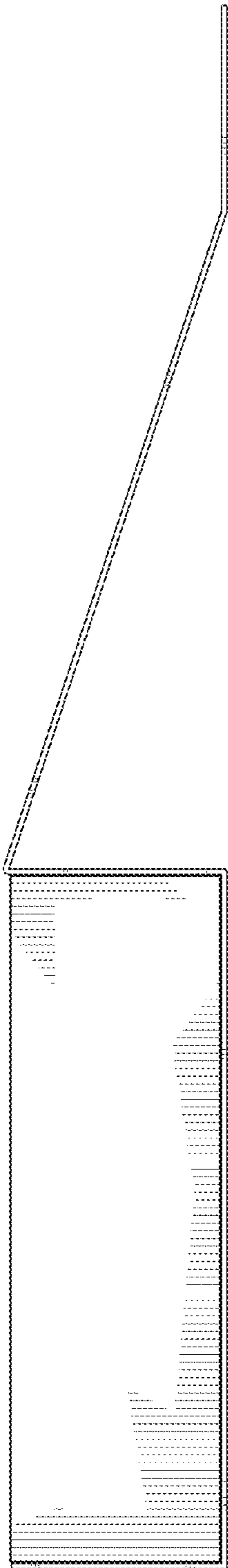


Fig. 9

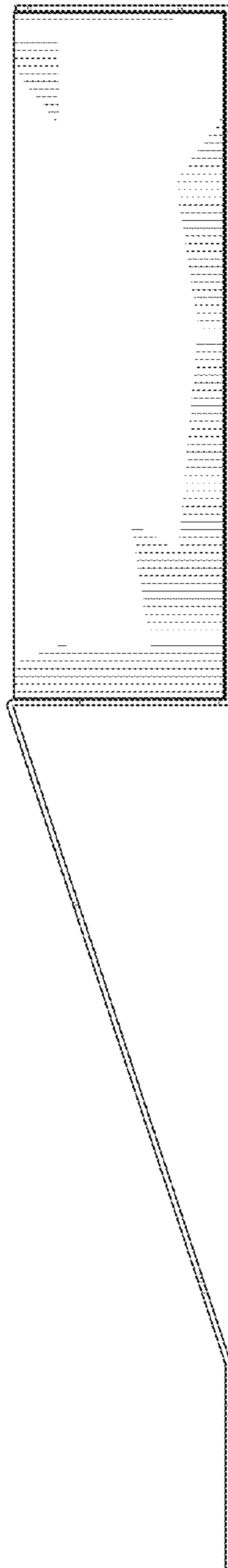


Fig. 10

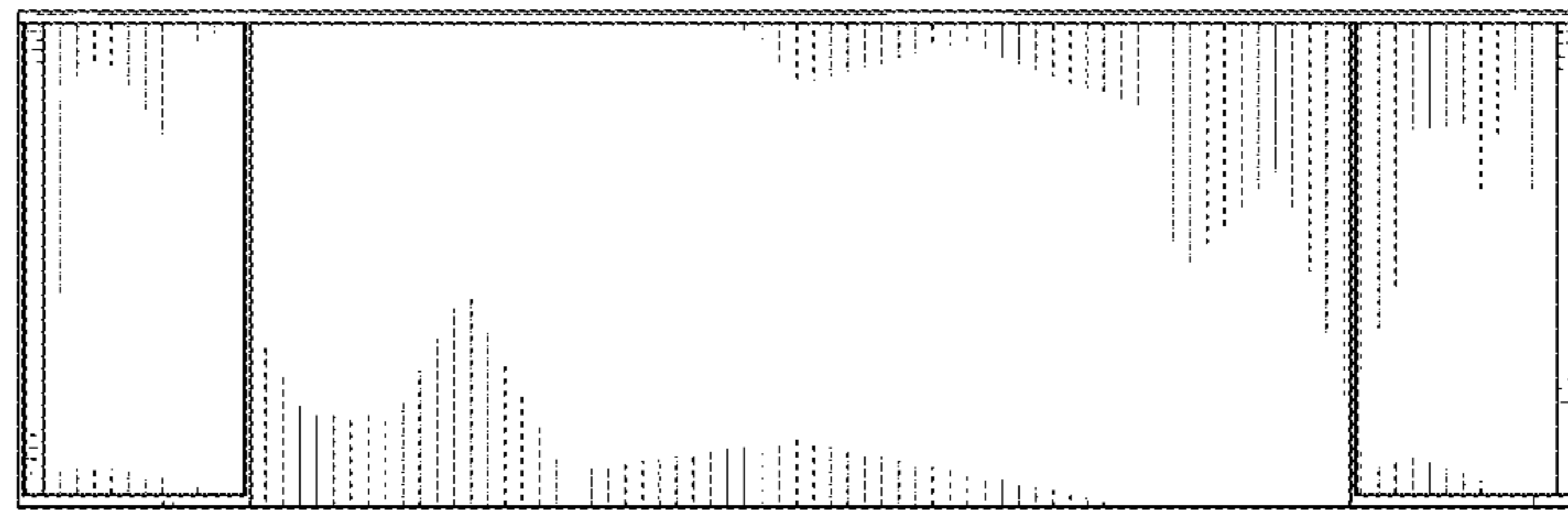


Fig. 11

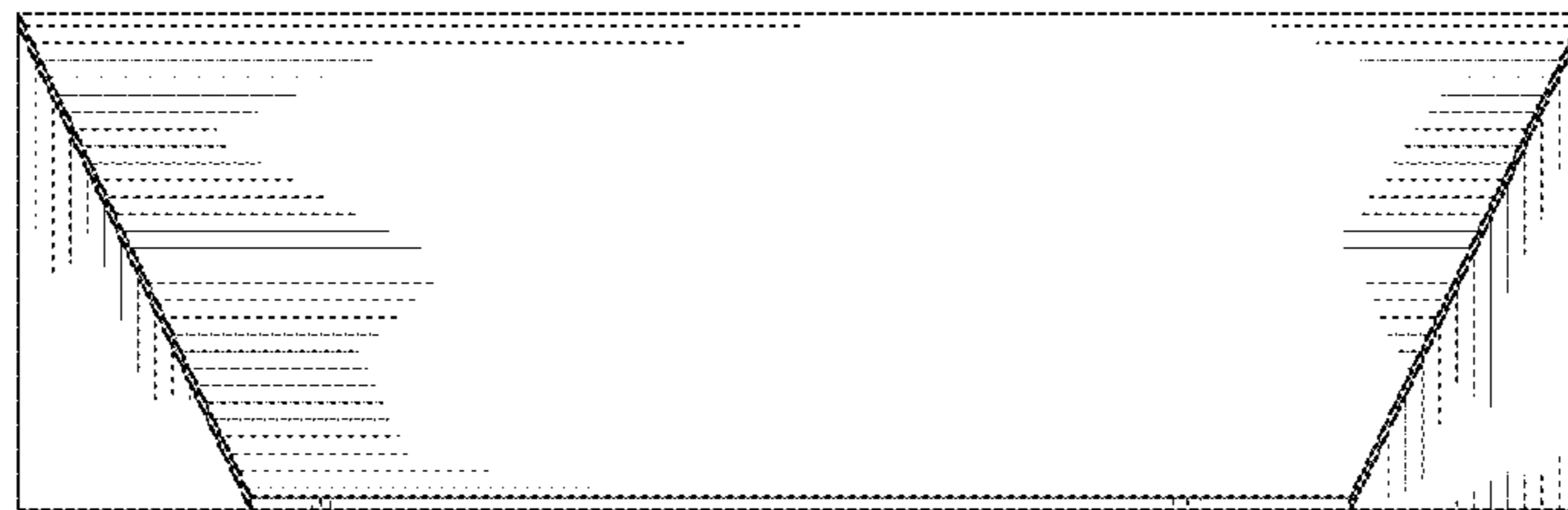


Fig. 12

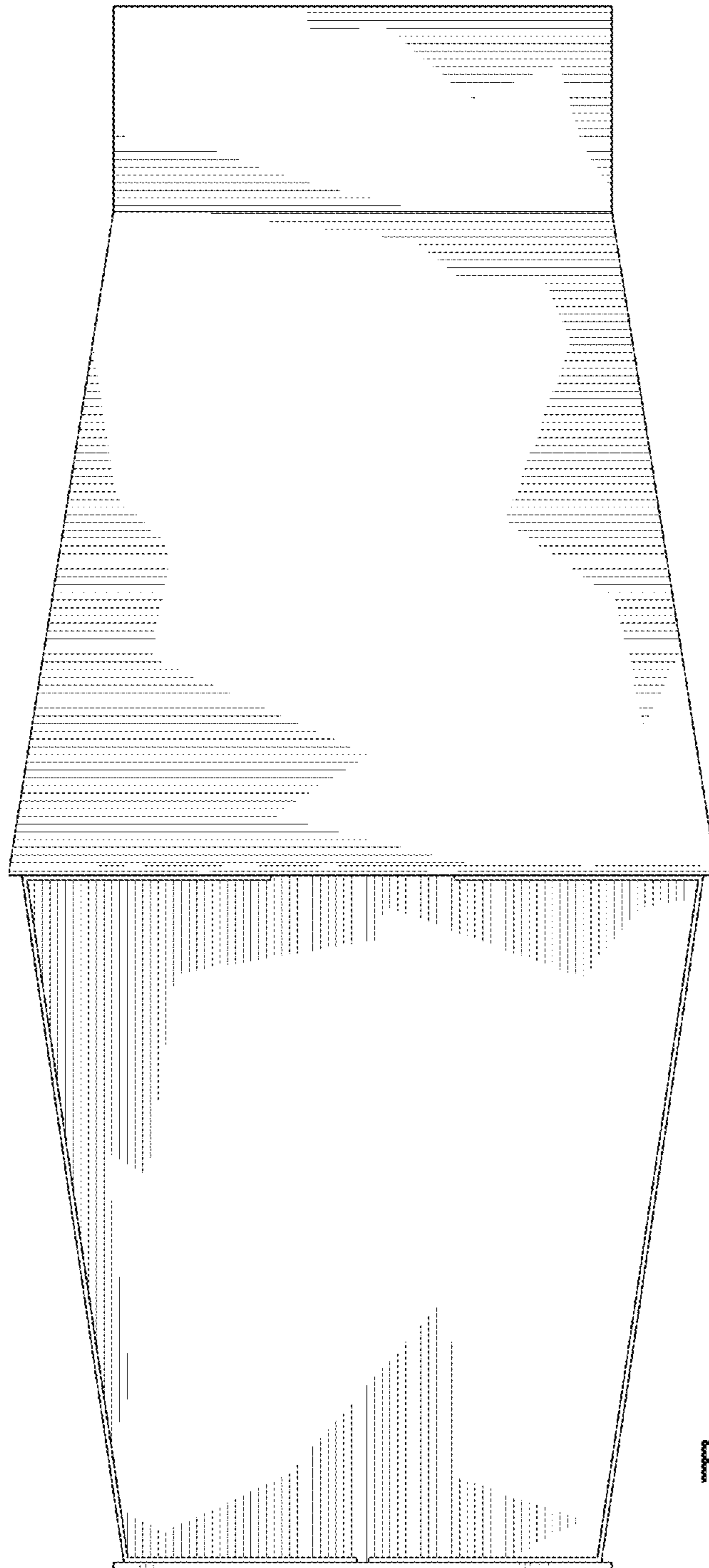


Fig. 13

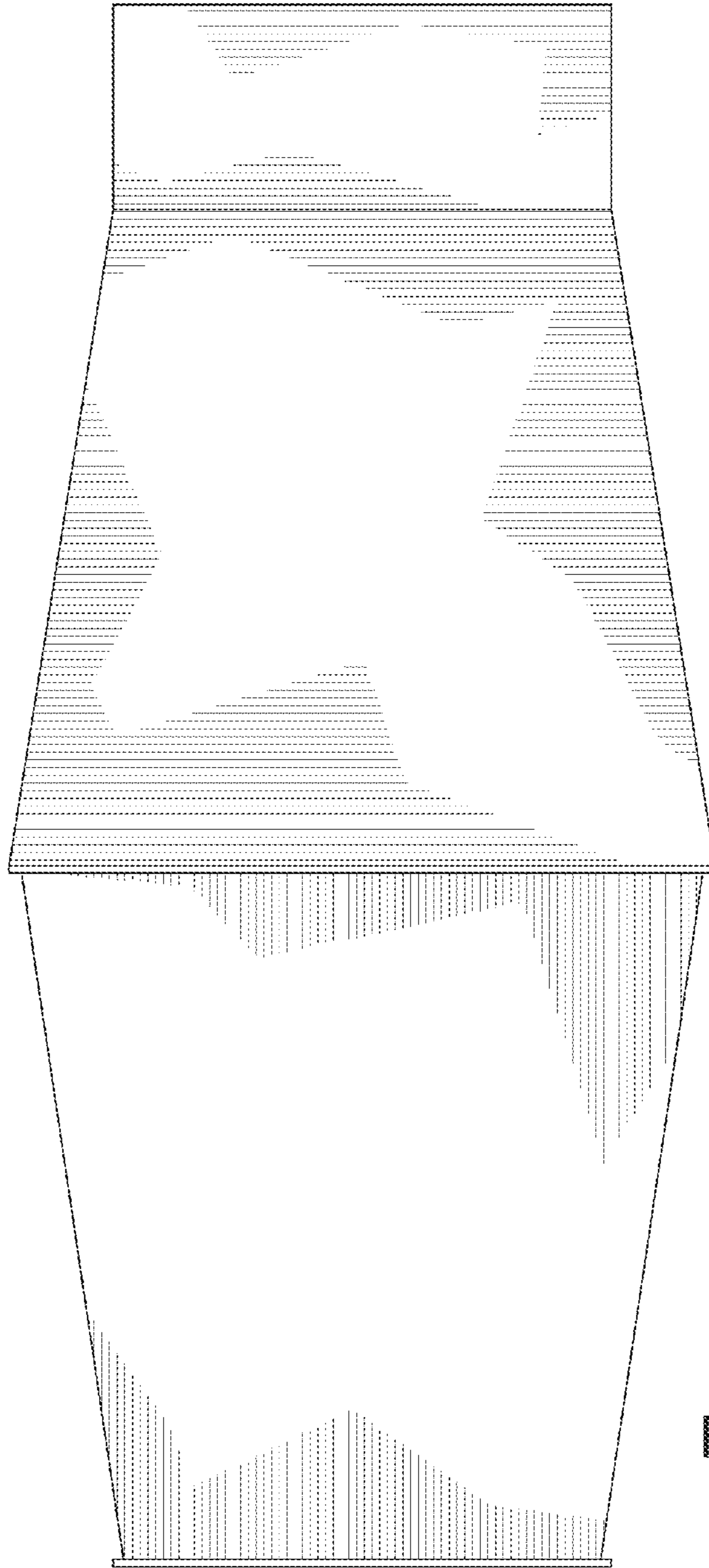


Fig. 14

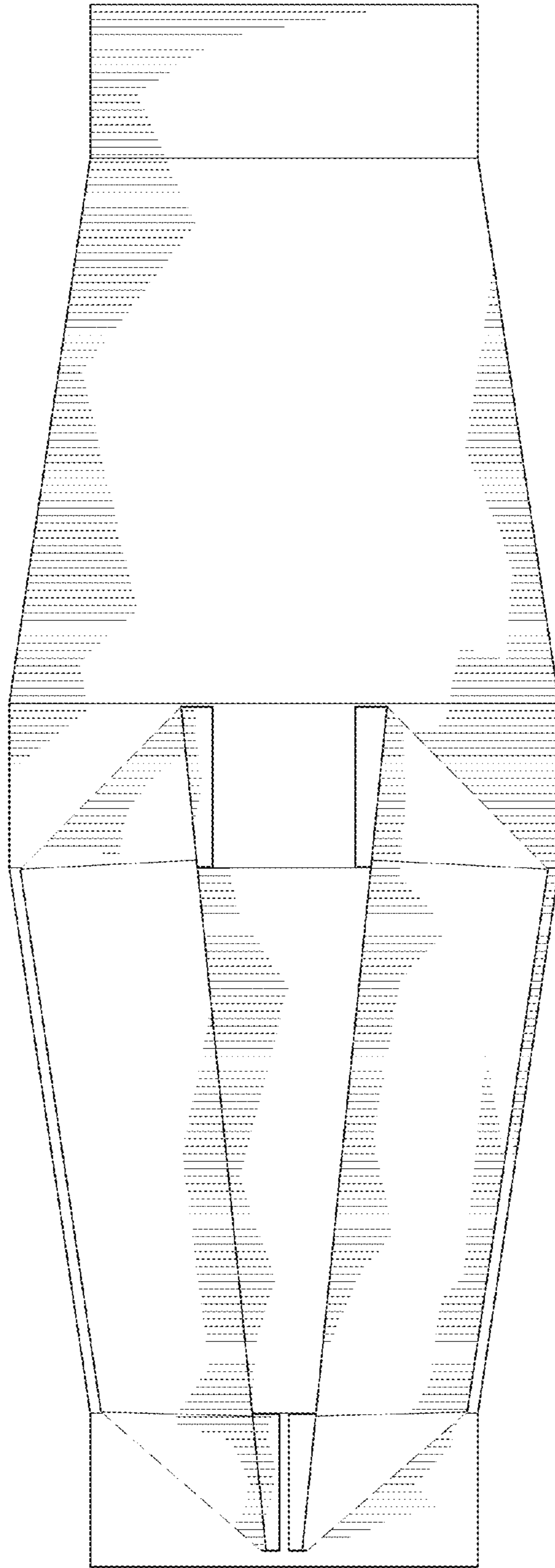


Fig. 15

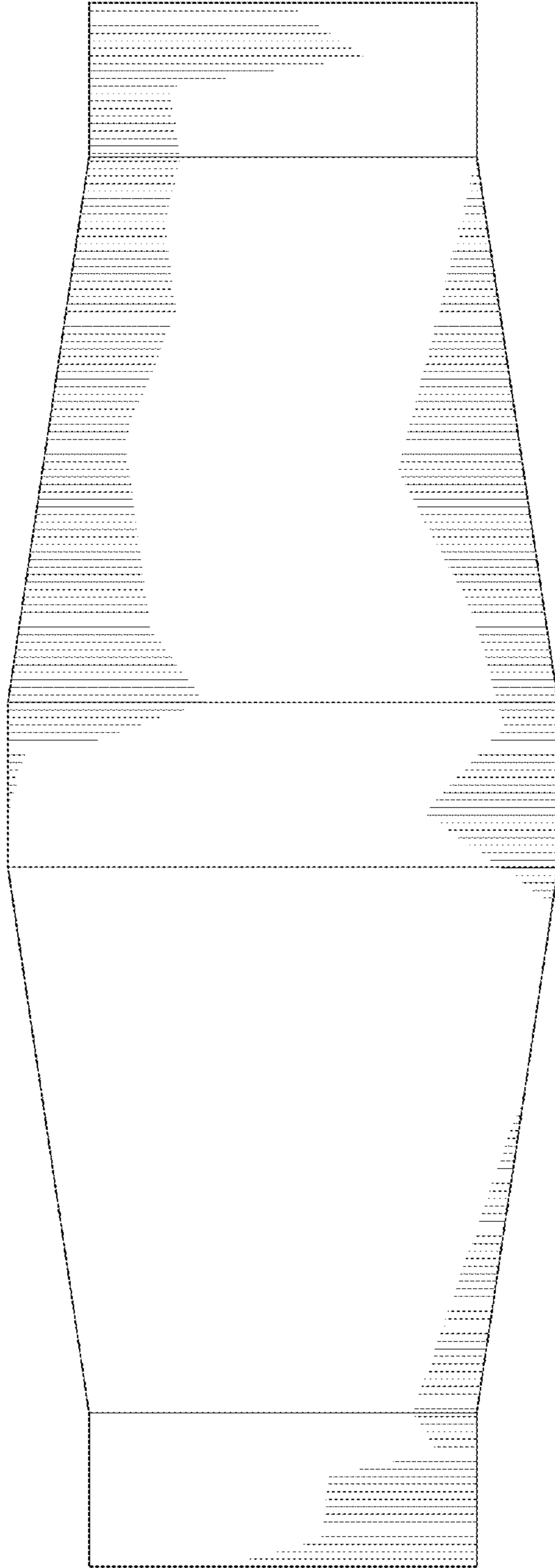


Fig. 16