



US00D707548S

(12) **United States Design Patent**
Hobson

(10) **Patent No.:** **US D707,548 S**

(45) **Date of Patent:** **** Jun. 24, 2014**

(54) **FERRULE PACKAGE**

(71) Applicant: **Blake Hobson**, Lakewood, IL (US)

(72) Inventor: **Blake Hobson**, Lakewood, IL (US)

(73) Assignee: **Image Industries, Inc.**, Huntley, IL (US)

(**) Term: **14 Years**

(21) Appl. No.: **29/449,004**

(22) Filed: **Mar. 14, 2013**

(51) **LOC (10) Cl.** **09-03**

(52) **U.S. Cl.**
USPC **D9/416**

(58) **Field of Classification Search**

CPC A47G 19/2266; B29C 47/0021; B65D
25/54; B65D 1/0223; B65D 23/102; B65D
23/106

USPC D9/346, 414-418, 424, 425, 423,
D9/428-436, 445, 452-457, 499, 500, 504,
D9/516, 519, 522, 529, 535, 537, 545, 551,
D9/571, 672, 675, 702, 711, 715, 721, 722,
D9/737, 748, 759, 740, 743, 745, 749, 756,
D9/718, 713, 712, 546, 618, 635, 680;
D3/201, 246, 258, 212, 276; D7/400,
D7/404, 405, 415; 206/769, 773-778, 395,
206/397-98, 223, 736, 756, 495, 349, 760,
206/541, 784; 229/162.1, 162.3, 162.7,
229/107, 122, 395, 938, 902, 409, 125.05,
229/116.1, 8, 22, 132, 131.1, 160, 125.15,
229/122.27, 122.31, 123, 241, 172, 174,
229/185.1, 120.04, 120.13, 120.14, 120.23,
229/87.06, 82.3, 103.3, 104, 114, 117,
229/117.08, 117.17, 120; 220/703, 660,
220/662

See application file for complete search history.

(56) **References Cited**

U.S. PATENT DOCUMENTS

D434,664 S *	12/2000	Bretz et al.	D9/520
D458,960 S *	6/2002	Wang et al.	D18/43
D461,414 S *	8/2002	Soehnlén	D9/528
D500,076 S *	12/2004	Takuwa	D18/43
D570,705 S *	6/2008	Kanda	D9/683
D576,497 S *	9/2008	Ozer	D9/556
D614,448 S *	4/2010	Cahen	D7/532
D655,180 S *	3/2012	Kraft et al.	D9/560

* cited by examiner

Primary Examiner — Ian Simmons

Assistant Examiner — Rhea Shields

(74) *Attorney, Agent, or Firm* — McAndrews, Held & Malloy, Ltd.

(57) **CLAIM**

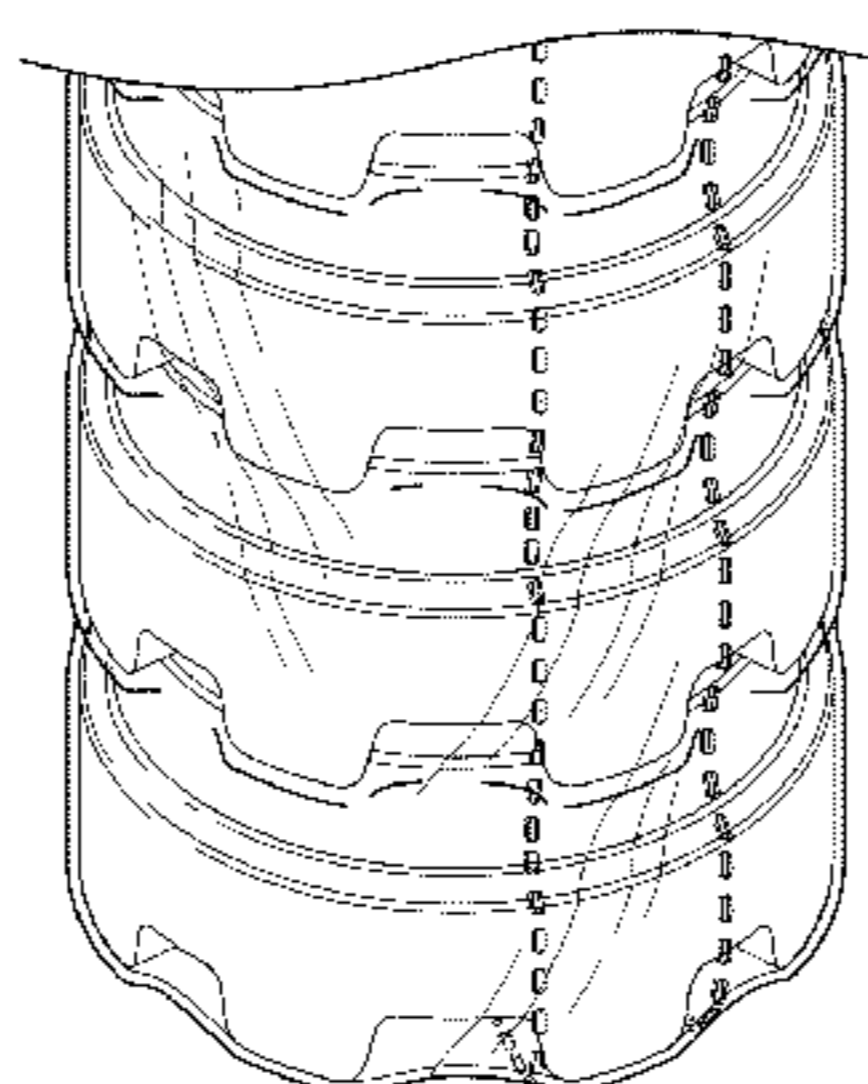
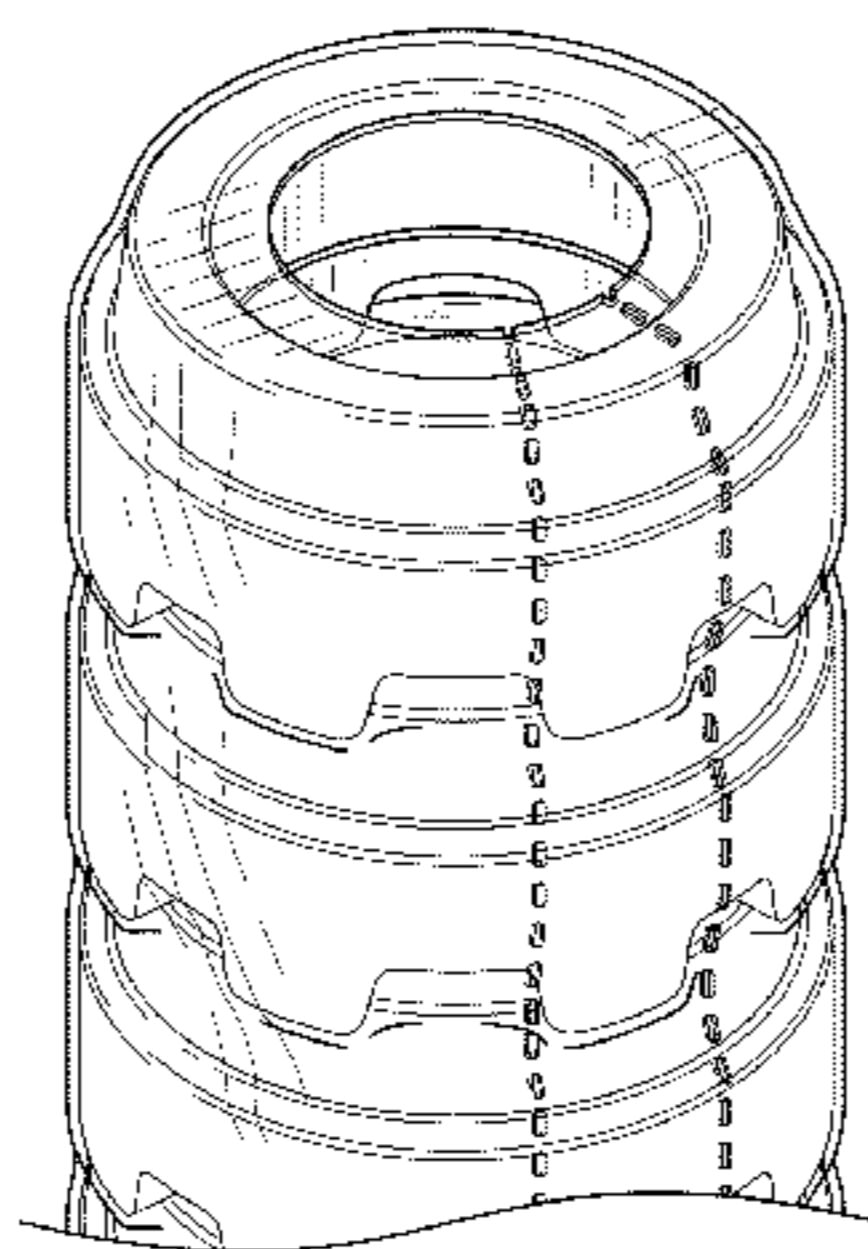
The ornamental design for a ferrule package, as shown and described.

DESCRIPTION

FIG. 1 is a side perspective view of a ferrule package;
FIG. 2 is a front side view thereof;
FIG. 3 is a back side view thereof;
FIG. 4 is a top view thereof; and,
FIG. 5 is a bottom view thereof.

The ferrule package is shown with a break in its length. The appearance of any portion of the article between the break lines forms no part of the claimed design. The broken lines in FIGS. 1, 2, 4 and 5 represent the claimed tear strip portion of the package.

1 Claim, 4 Drawing Sheets



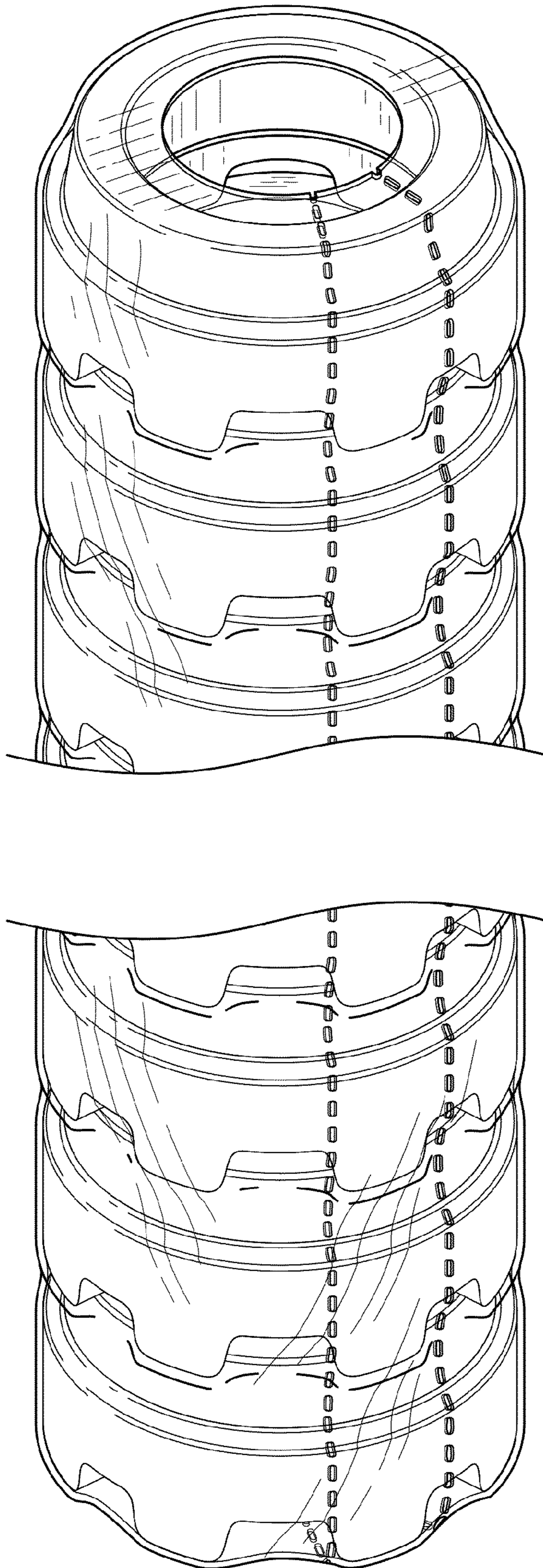


FIG. 1

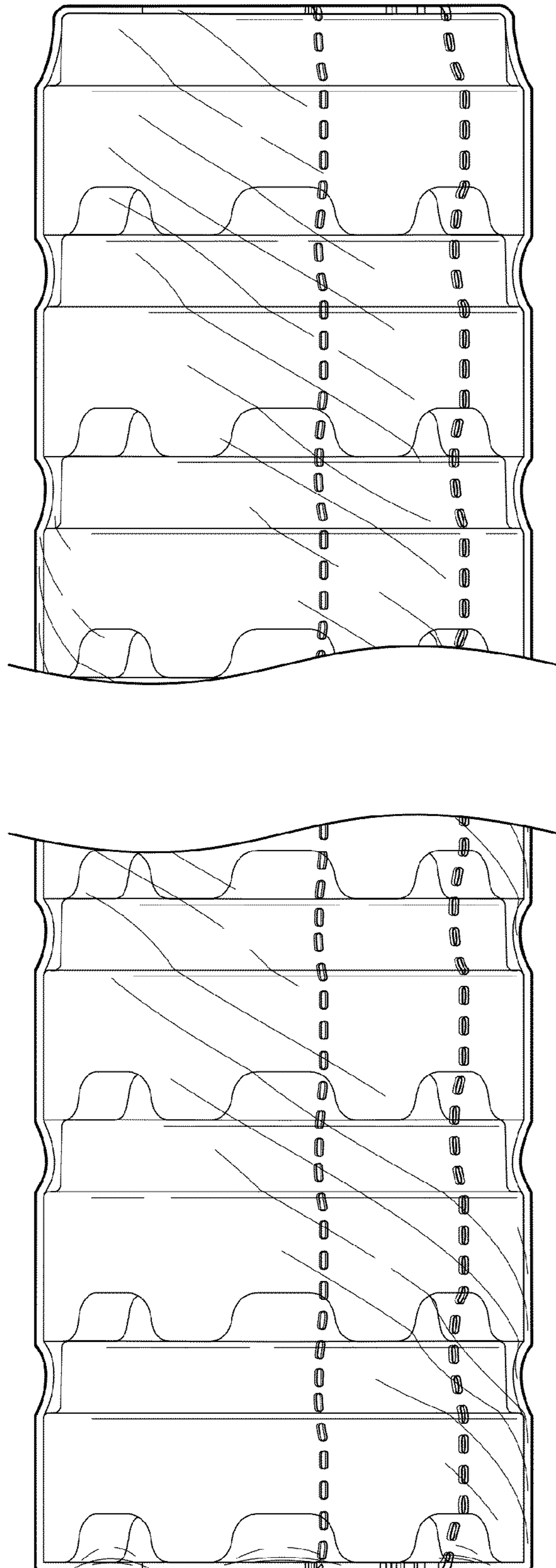


FIG. 2

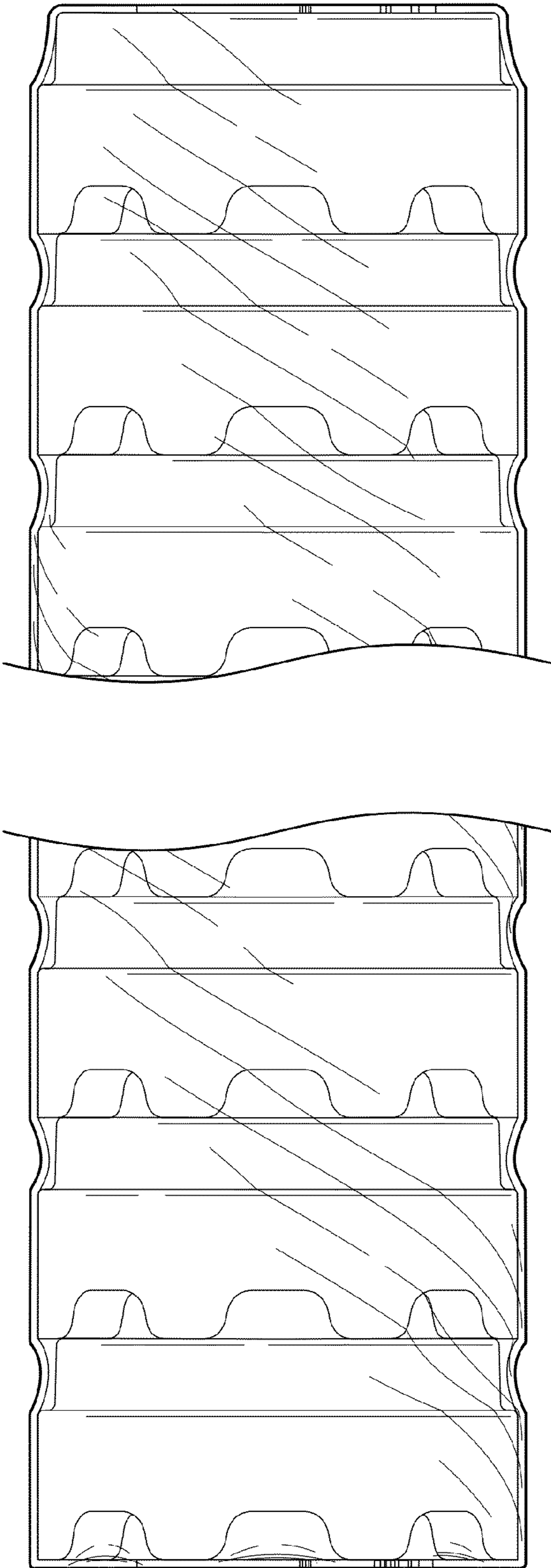


FIG. 3

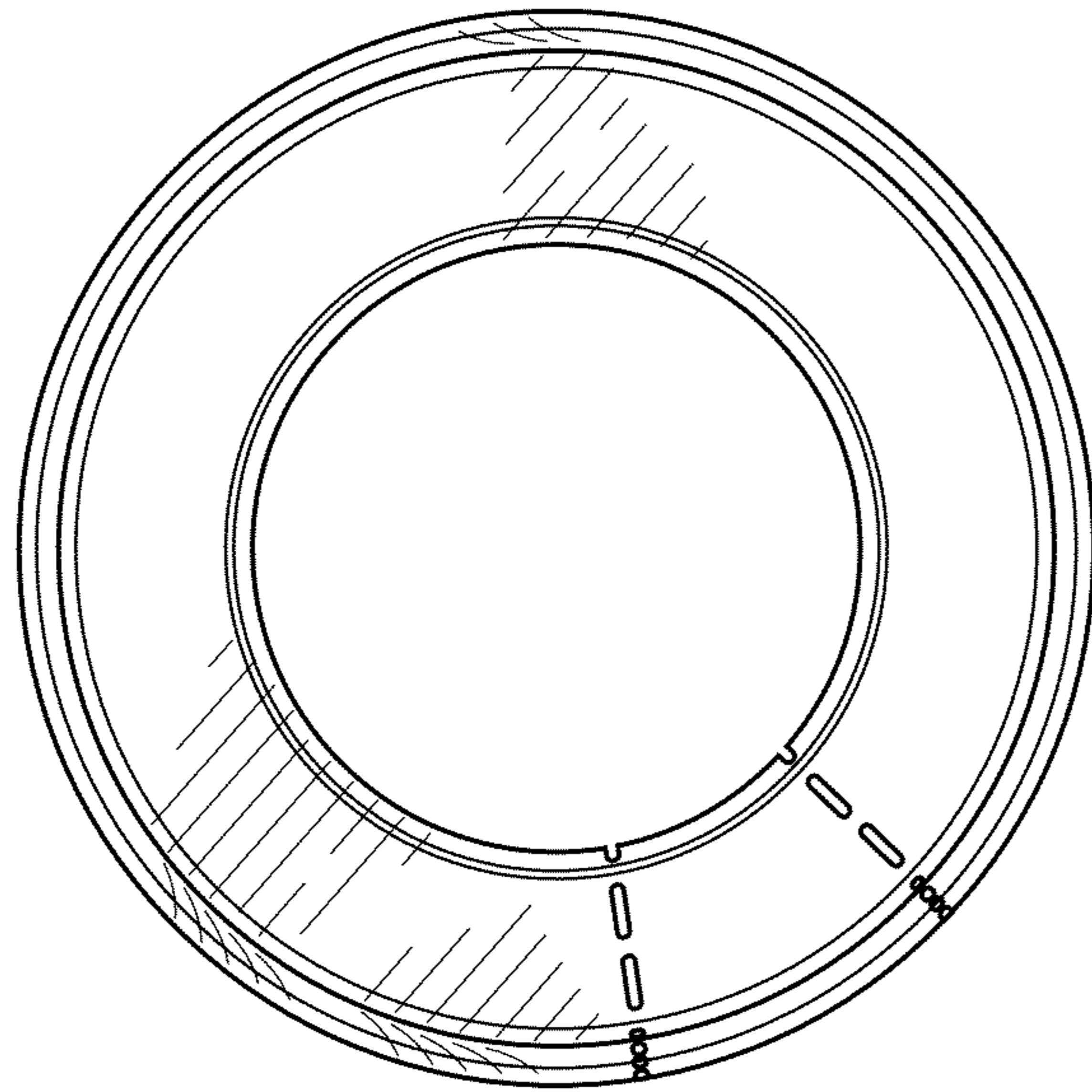


FIG. 4

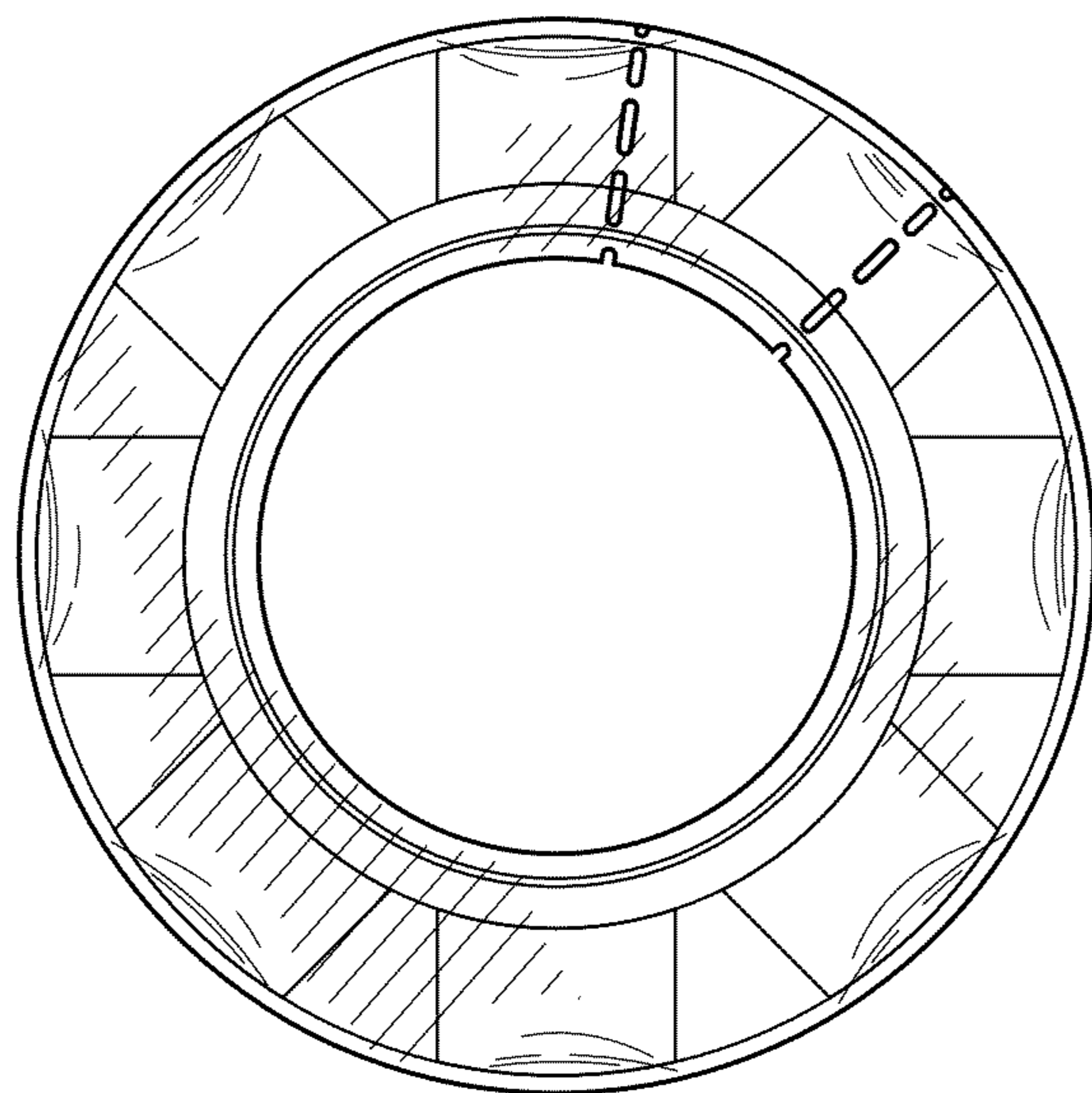


FIG. 5