



US00D707543S

(12) **United States Design Patent**
Schwenkenberg

(10) **Patent No.:** **US D707,543 S**
(45) **Date of Patent:** **** Jun. 24, 2014**

(54) **HOLDER FOR LIQUID DISPENSERS**

4,951,910 A * 8/1990 March 248/311.2
D522,848 S 6/2006 Nawrocki
8,231,094 B1 * 7/2012 Barnes, Jr. 248/311.2

(75) Inventor: **Horst Schwenkenberg**, Halstenbek
(DE)

* cited by examiner

(73) Assignee: **CSD GmbH Cosmetic Systems**
Development and Distribution, Kehl
(DE)

Primary Examiner — Holly Baynham
(74) *Attorney, Agent, or Firm* — Volpe and Koenig, P.C.

(**) Term: **14 Years**

(57) **CLAIM**
The design for a holder for liquid dispensers, as shown and described.

(21) Appl. No.: **29/425,004**

DESCRIPTION

(22) Filed: **Jun. 19, 2012**

FIG. 1 is a left, top, front perspective view of a holder for liquid dispensers in accordance with my design;
FIG. 2 is a left side elevational view thereof, the right side elevational view being a mirror image thereof;
FIG. 3 is a rear elevational view thereof;
FIG. 4 is a front elevational view thereof;
FIG. 5 is a top plan view thereof; and
FIG. 6 is a bottom view thereof;
FIG. 7 is an environmental left, top, front perspective view of a holder for liquid dispensers with a dispensing container in accordance with my design;
FIG. 8 is an environmental left side elevational view thereof, the right side elevational view being a mirror image thereof;
FIG. 9 is an environmental rear elevational view thereof;
FIG. 10 is an environmental front elevational view thereof;
FIG. 11 is an environmental top plan view thereof; and
FIG. 12 is an environmental bottom view thereof.
The broken lines showing a dispensing container are for the purposes of illustrating environment and shows no part of the claimed design.

Related U.S. Application Data

(63) Continuation-in-part of application No. 29/394,653, filed on Jun. 20, 2011, now Pat. No. Des. 661,979.

(51) **LOC (10) Cl.** **08-01**

(52) **U.S. Cl.**
USPC **D8/373**

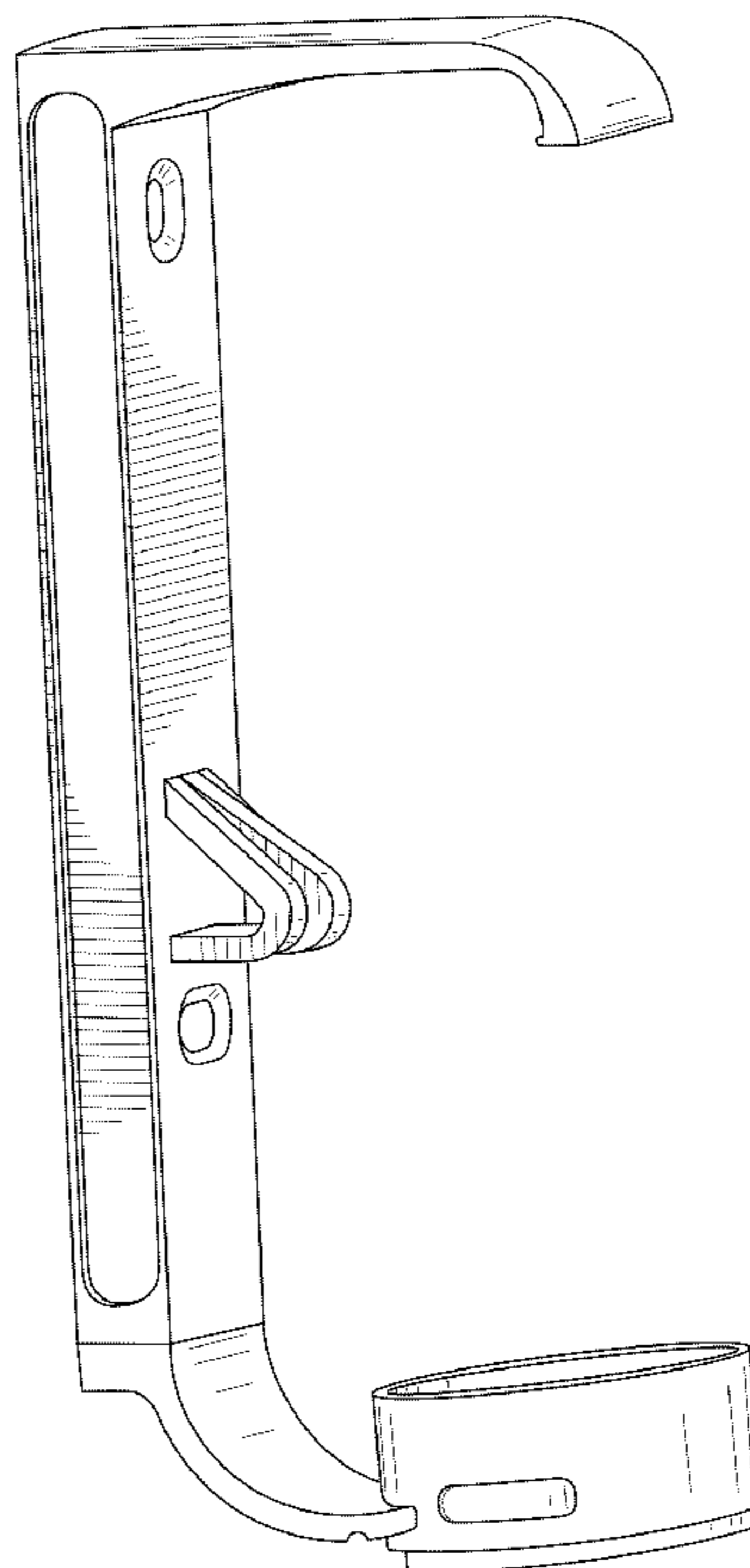
(58) **Field of Classification Search**
USPC D8/373, 380; 248/309.2, 311
See application file for complete search history.

(56) **References Cited**

U.S. PATENT DOCUMENTS

1,647,039 A * 10/1927 Fischer 248/309.1
D173,720 S 12/1954 Carver et al.
2,926,879 A * 3/1960 Dietrich 248/311.2

1 Claim, 10 Drawing Sheets



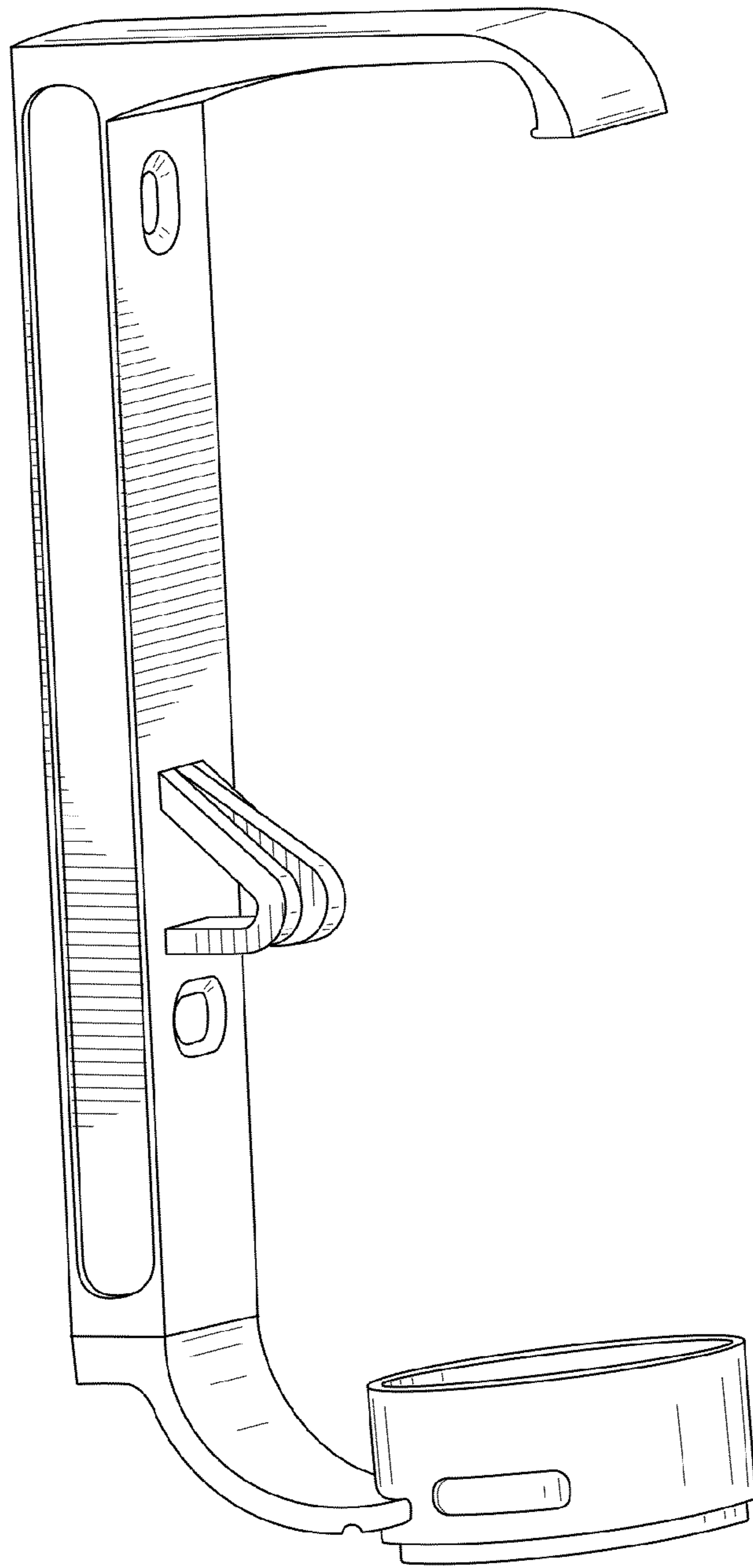


FIG. 1

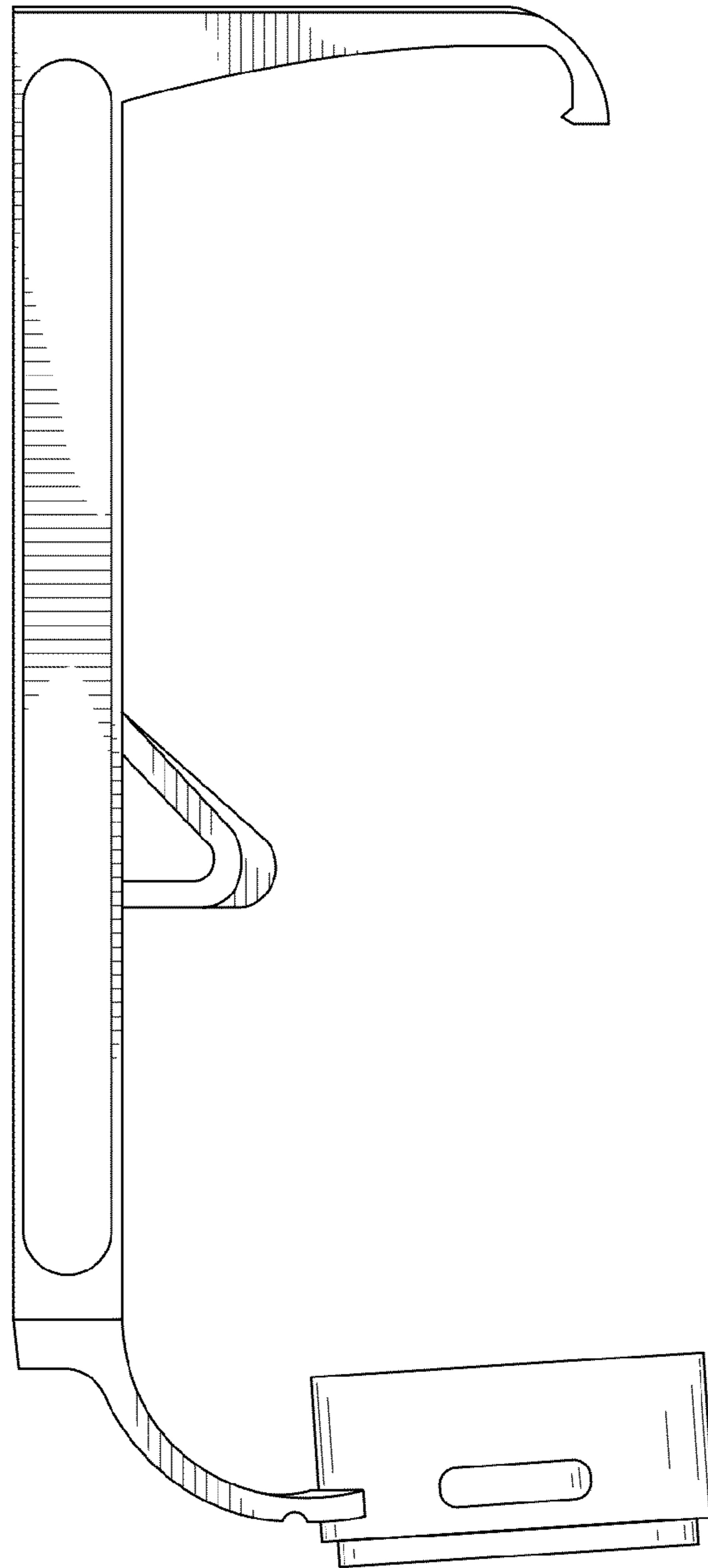


FIG. 2

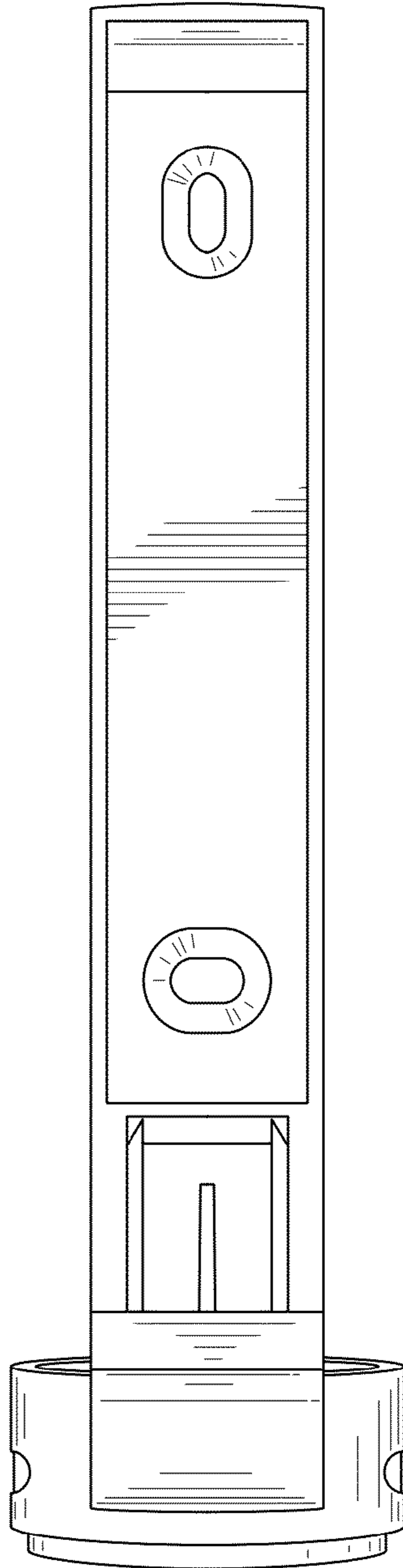


FIG. 3

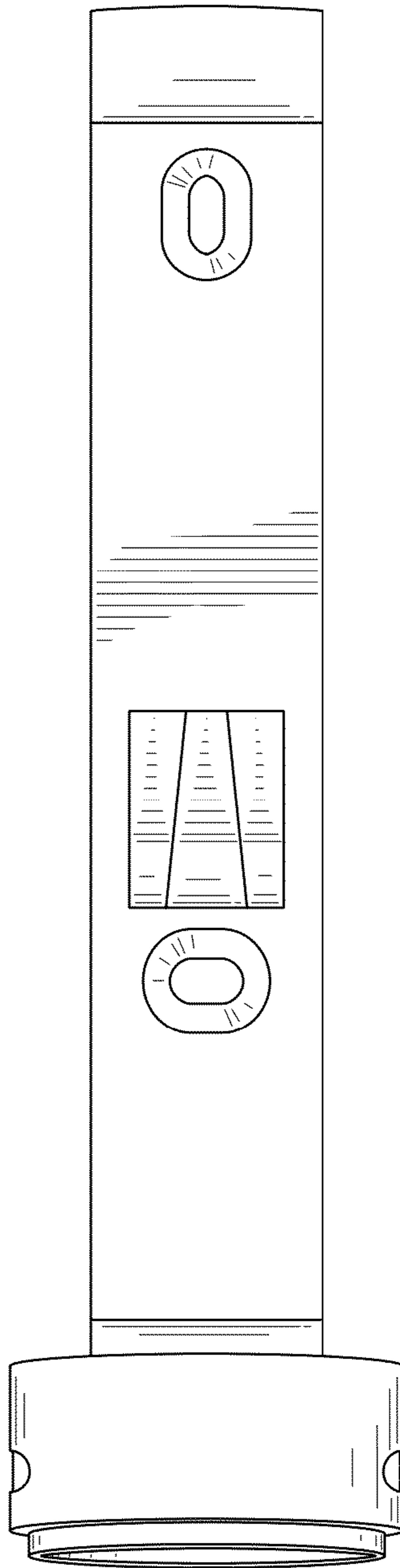


FIG. 4

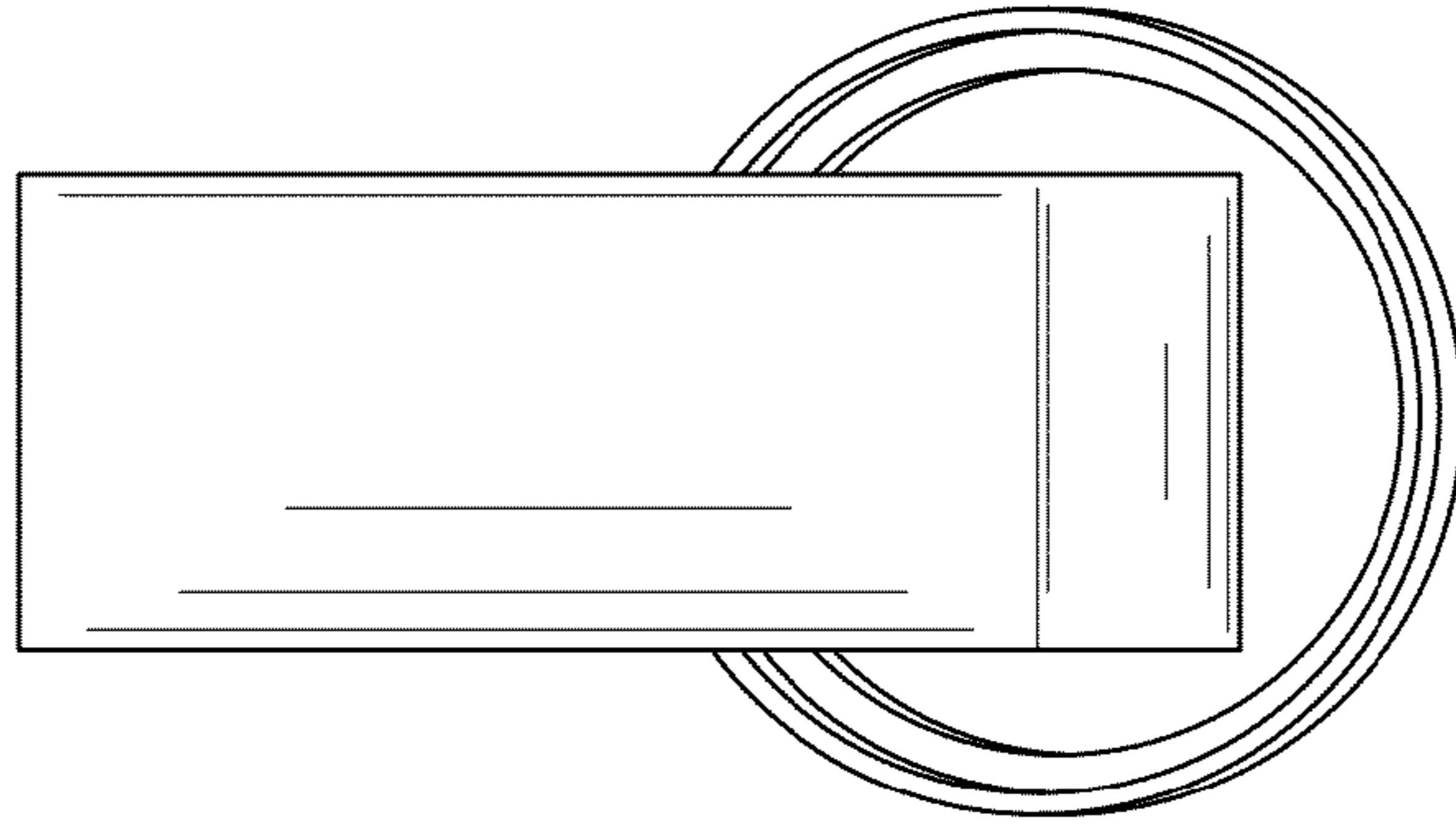


FIG. 5

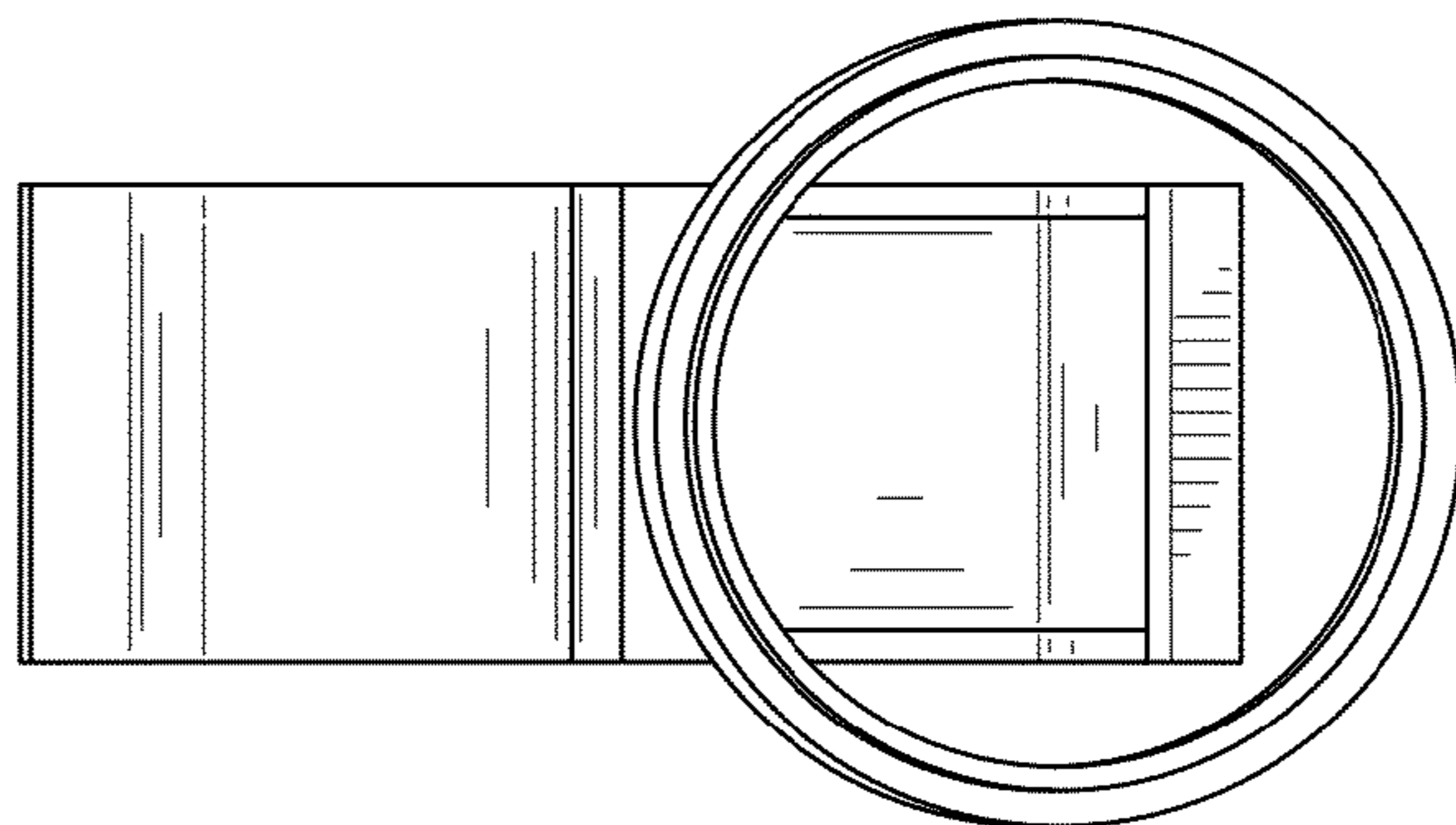


FIG. 6

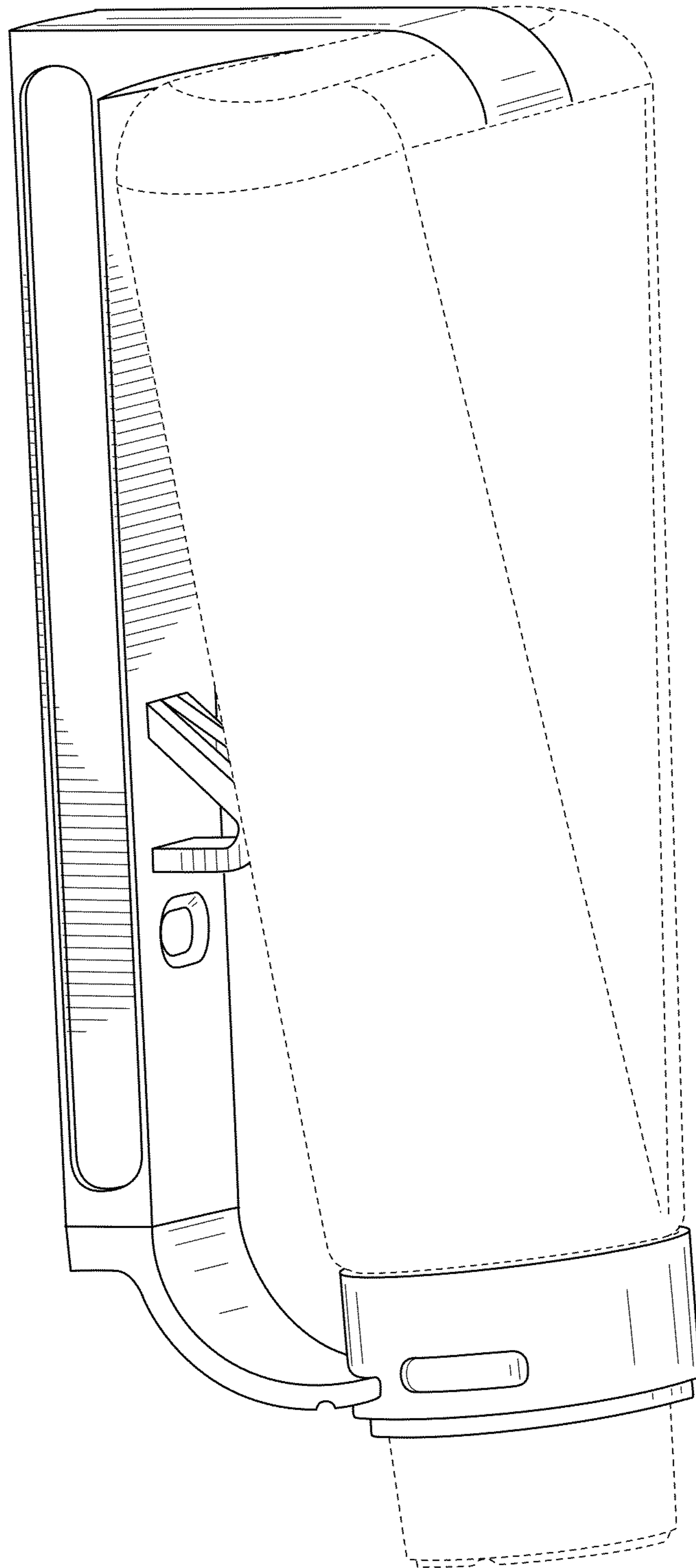


FIG. 7

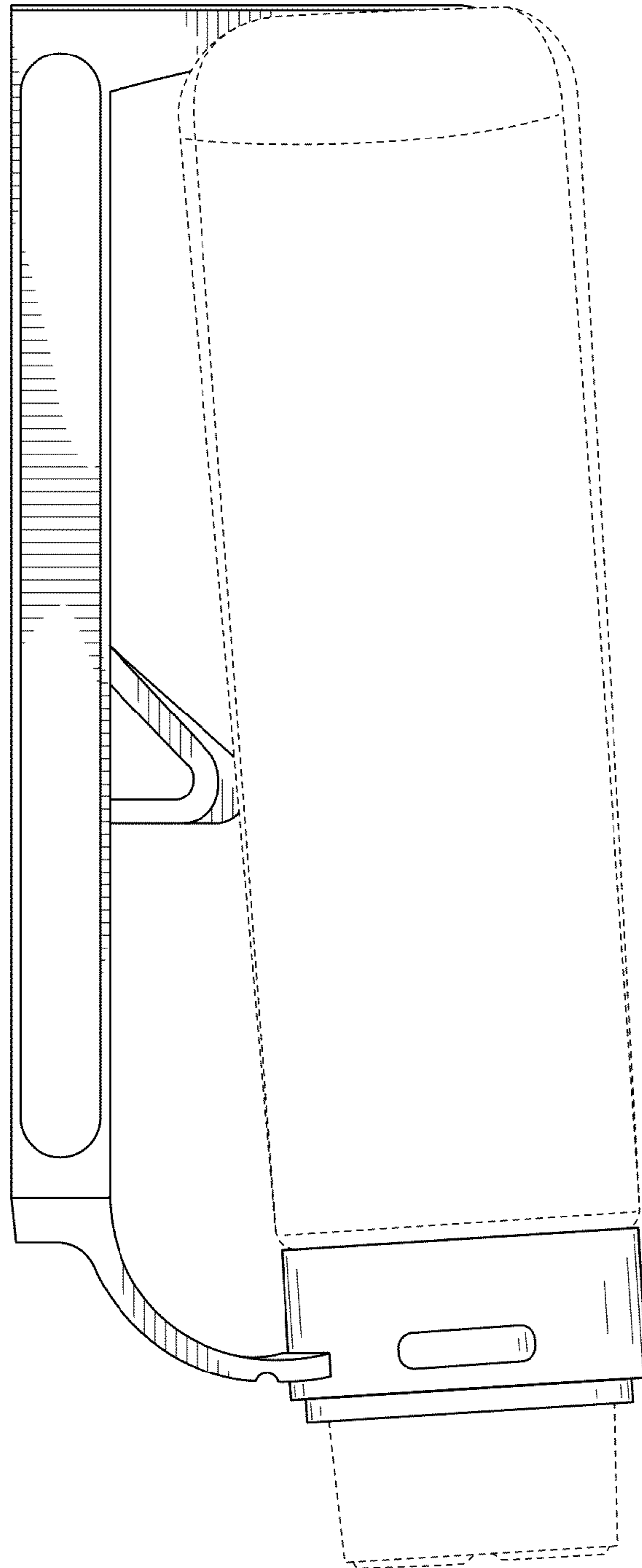


FIG. 8

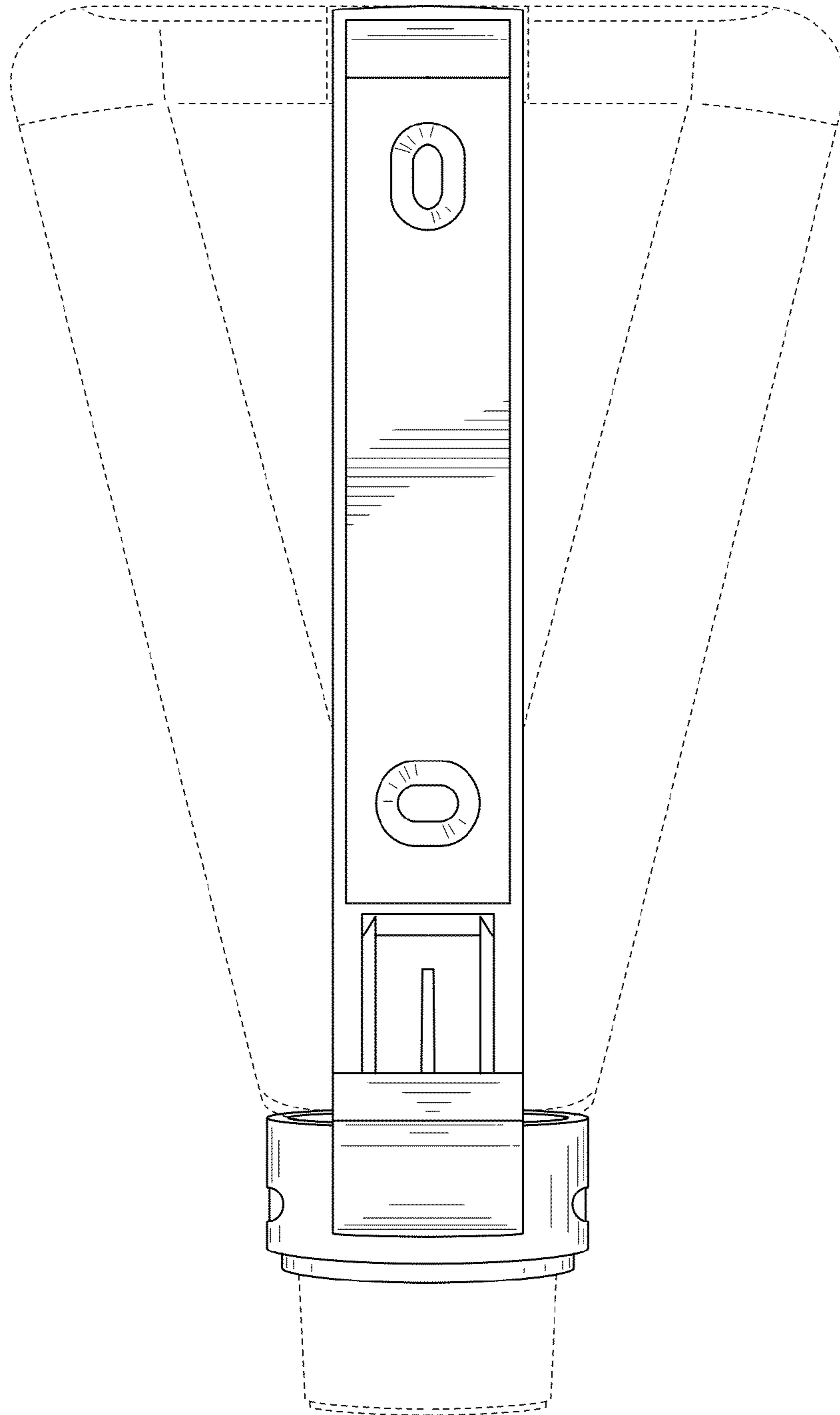


FIG. 9

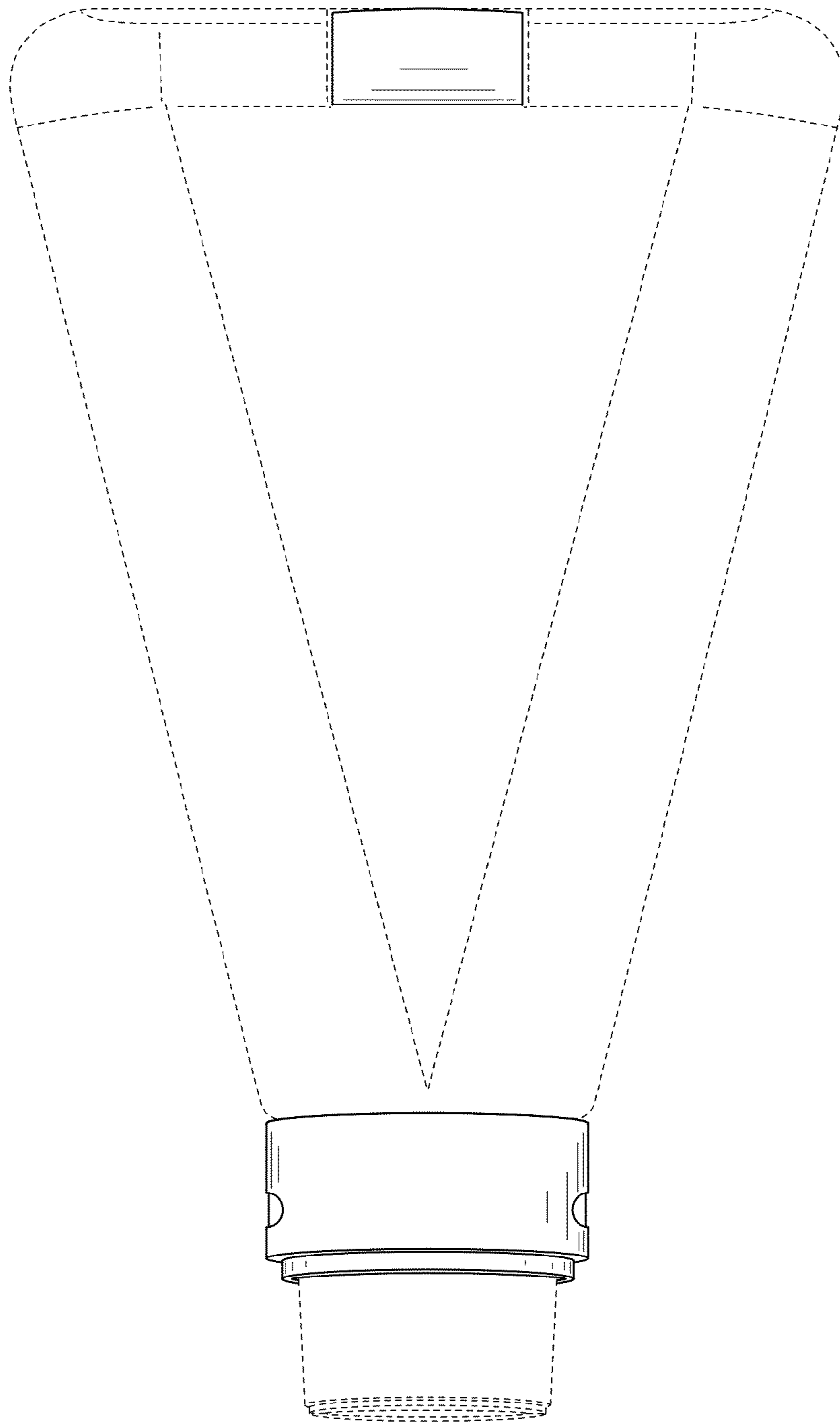


FIG. 10

FIG. 11

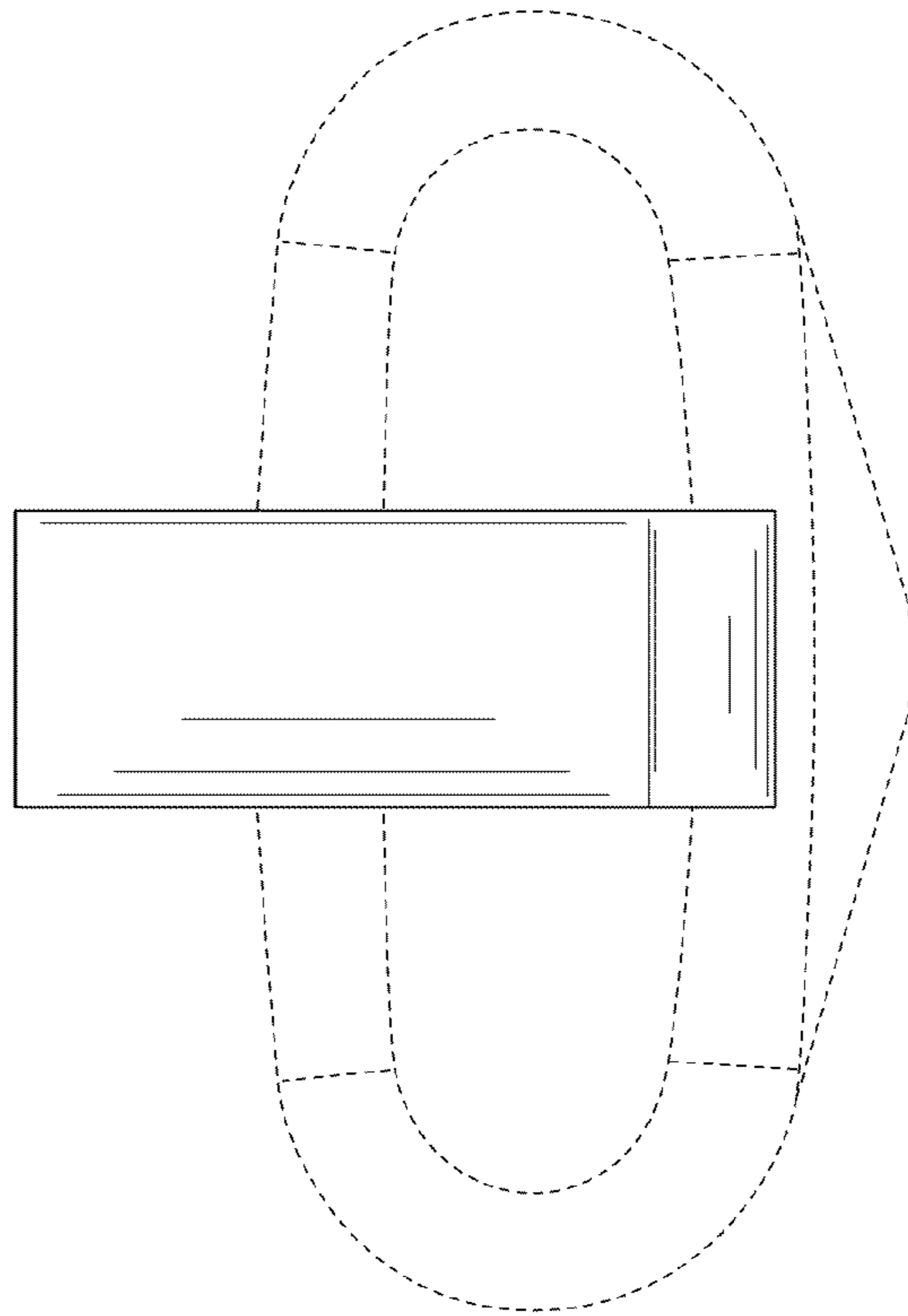


FIG. 12

