



US00D707542S

(12) **United States Design Patent**
Goodman et al.

(10) **Patent No.:** **US D707,542 S**
(45) **Date of Patent:** **** Jun. 24, 2014**

(54) **HOOK**

D479,796 S * 9/2003 Snell D8/372
D568,725 S * 5/2008 Snider D8/372
D669,768 S * 10/2012 Tawil D8/372

(71) Applicant: **Spectrum Diversified Designs, Inc.**,
Streetsboro, OH (US)

* cited by examiner

(72) Inventors: **Sheldon H. Goodman**, Solon, OH (US);
Phaysouk Xayoiphonh, Akron, OH
(US)

Primary Examiner — Holly Baynham
(74) *Attorney, Agent, or Firm* — Benesch, Friedlander,
Coplan & Aronoff, LLP

(73) Assignee: **Spectrum Diversified Designs, Inc.**,
Streetsboro, OH (US)

(57) **CLAIM**
What is claimed is the ornamental design for ornamental
hook, as shown and described.

(**) Term: **14 Years**

DESCRIPTION

(21) Appl. No.: **29/441,506**

FIG. 1 is a perspective view of ornamental hook showing a
new design;

(22) Filed: **Jan. 7, 2013**

FIG. 2 is a front view of the ornamental hook of FIG. 1;

(51) **LOC (10) Cl.** **08-05**

FIG. 3 is a rear view of the ornamental hook of FIG. 1;

(52) **U.S. Cl.**

FIG. 4 is a side view of the ornamental hook of FIG. 1;

USPC **D8/372**

FIG. 5 is a cross-sectional view taken along line 4-4 of FIG. 4.

(58) **Field of Classification Search**

FIG. 6 is a top view of the ornamental hook of FIG. 1;

USPC D8/372, 367, 370; 248/302-303;
211/105.1, 106, 112, 119

FIG. 7 is a bottom view of the ornamental hook of FIG. 1;

See application file for complete search history.

FIG. 8 is a perspective view of another embodiment of the
ornamental hook showing a new design;

(56) **References Cited**

U.S. PATENT DOCUMENTS

D357,403 S *	4/1995	Goodman et al.	D8/372
D363,208 S *	10/1995	Seidel	D8/372
D421,382 S *	3/2000	Abdi	D8/372
D436,839 S *	1/2001	Goodman et al.	D8/372
D461,706 S *	8/2002	Goodman et al.	D8/372
D465,406 S *	11/2002	Goodman et al.	D8/372
D465,998 S *	11/2002	Goodman et al.	D8/372
D466,396 S *	12/2002	Snell	D8/372
D472,134 S *	3/2003	Goodman et al.	D8/372
D473,454 S *	4/2003	Goodman et al.	D8/370
D473,455 S *	4/2003	Goodman et al.	D8/372

FIG. 9 is a front view of the ornamental hook of FIG. 8;

FIG. 10 is a rear view of the ornamental hook of FIG. 8;

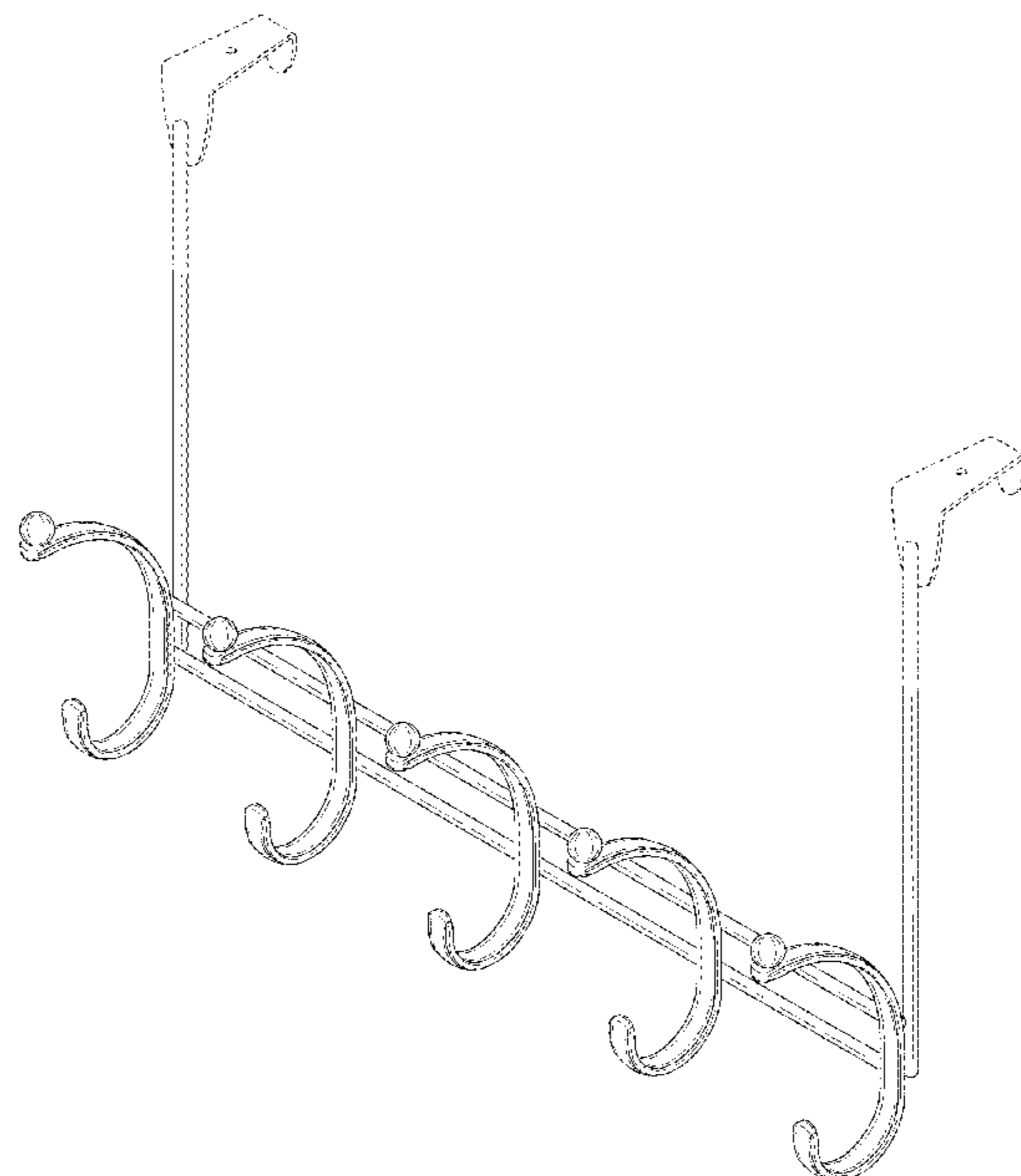
FIG. 11 is a side view of the ornamental hook of FIG. 8;

FIG. 12 is a cross-sectional view taken along line 10-10 of
FIG. 10.

FIG. 13 is a top view of the ornamental hook of FIG. 8; and,
FIG. 14 is a bottom view of the ornamental hook of FIG. 8.

The broken lines showing the over the door brackets are for
the purposes of illustrating environment and form no part of
the claimed design. The broken lines adjacent the shading on
the extending poles represent the boundaries of the claim and
are not part of the claimed design.

1 Claim, 7 Drawing Sheets



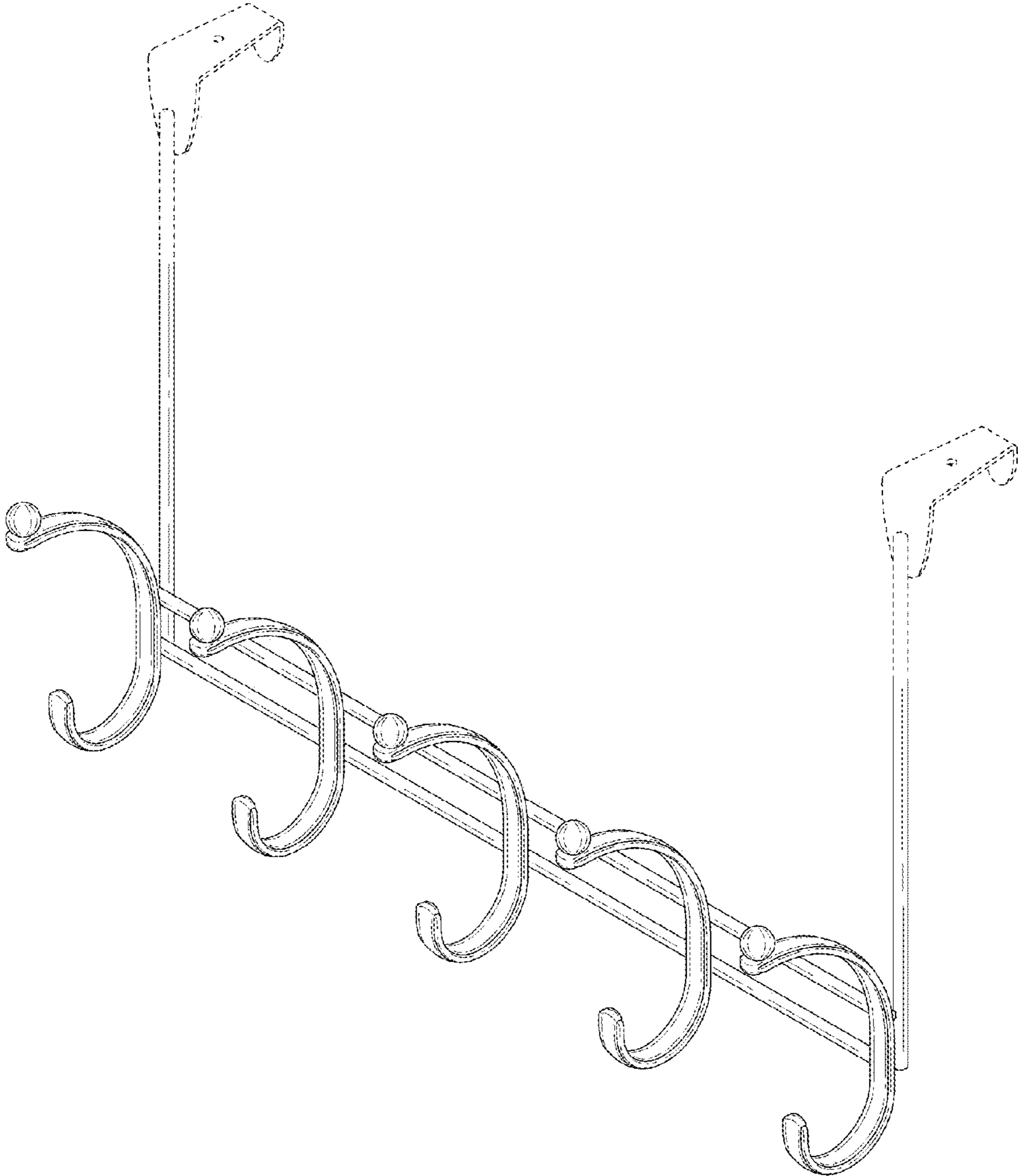


FIG 1

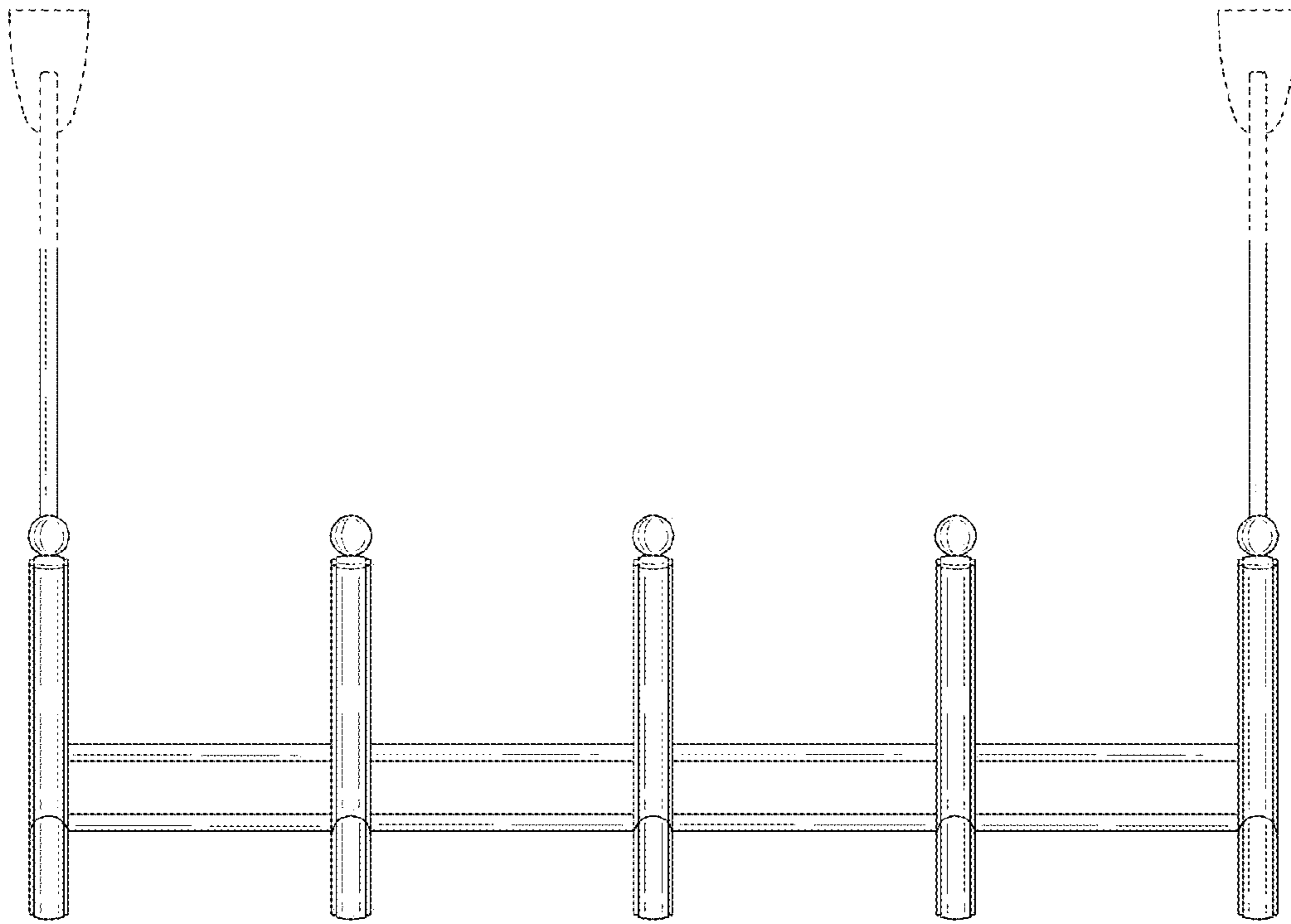


FIG 2

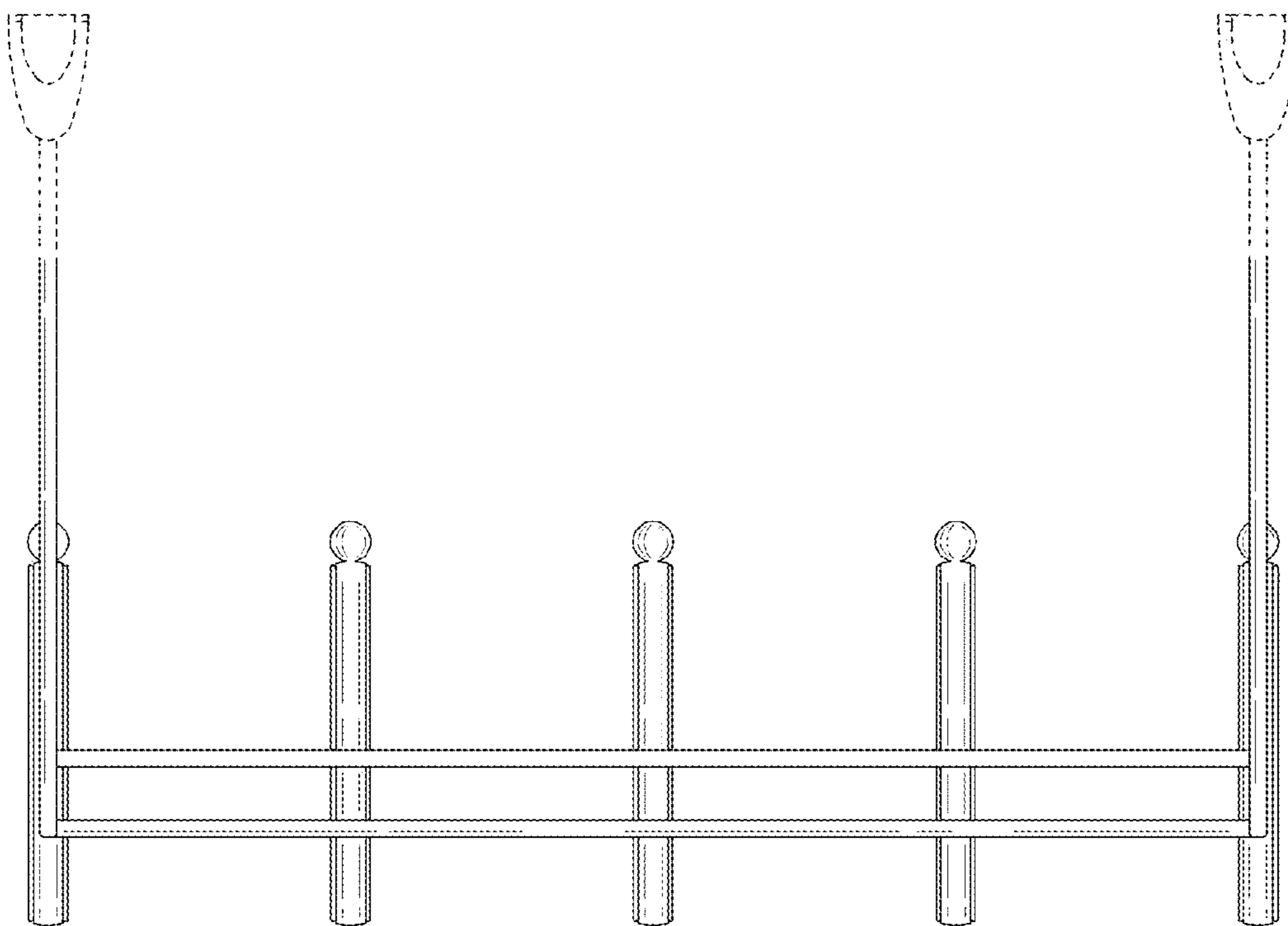


FIG 3

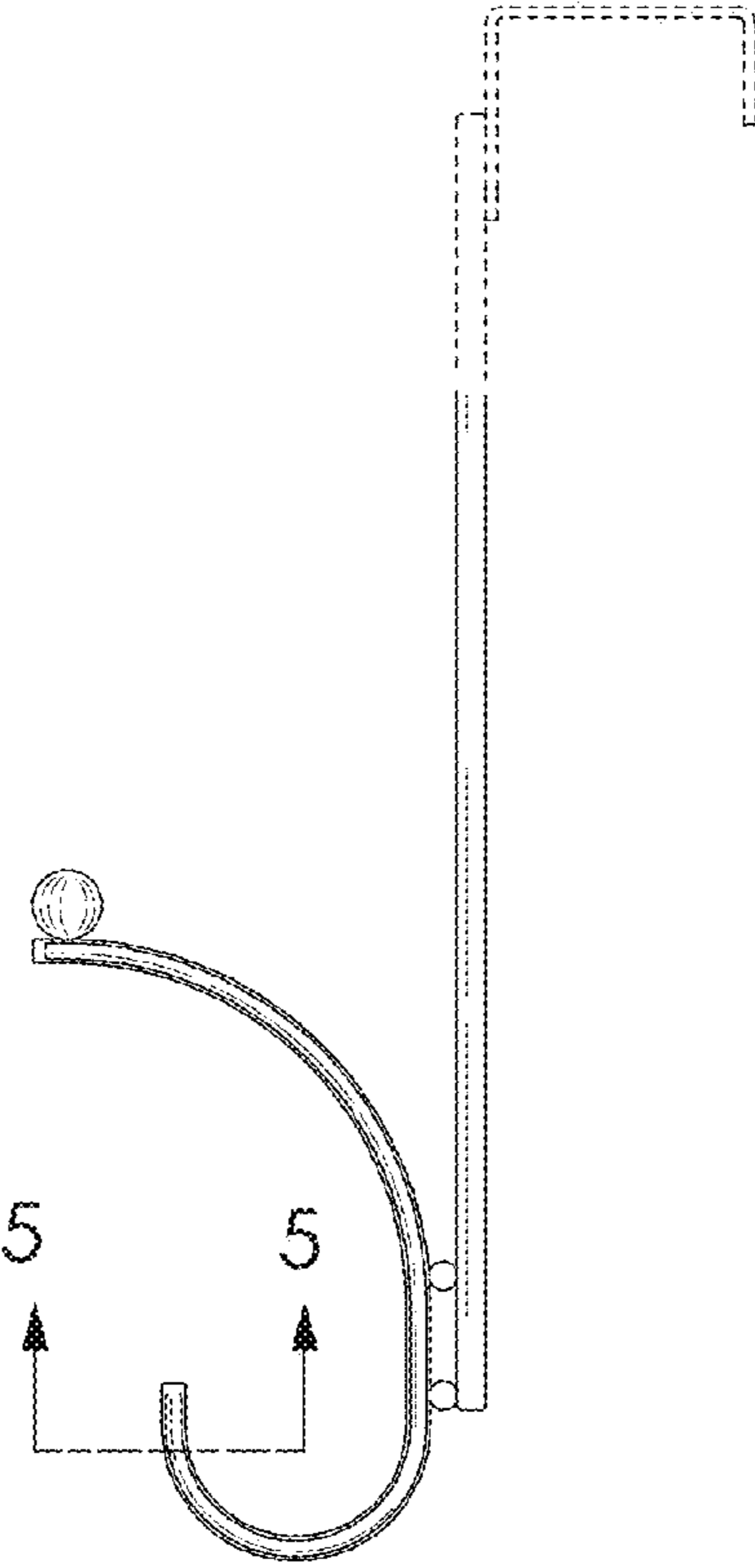


FIG 4



FIG 5

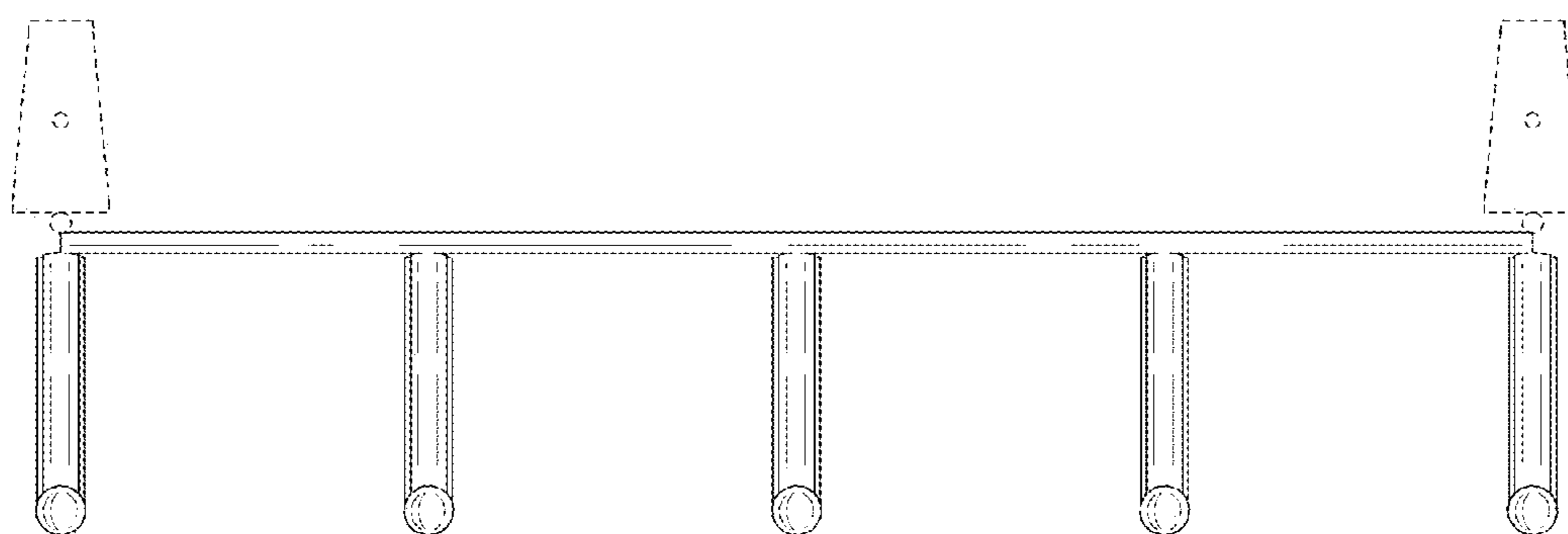


FIG 6

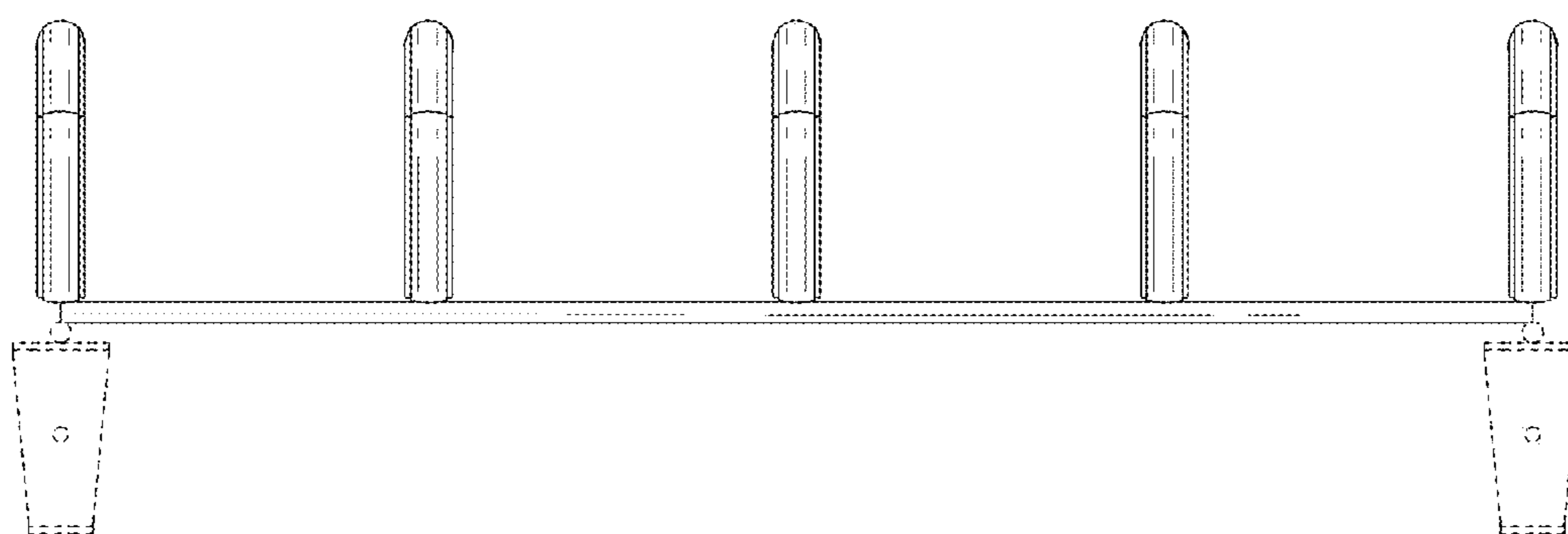


FIG 7

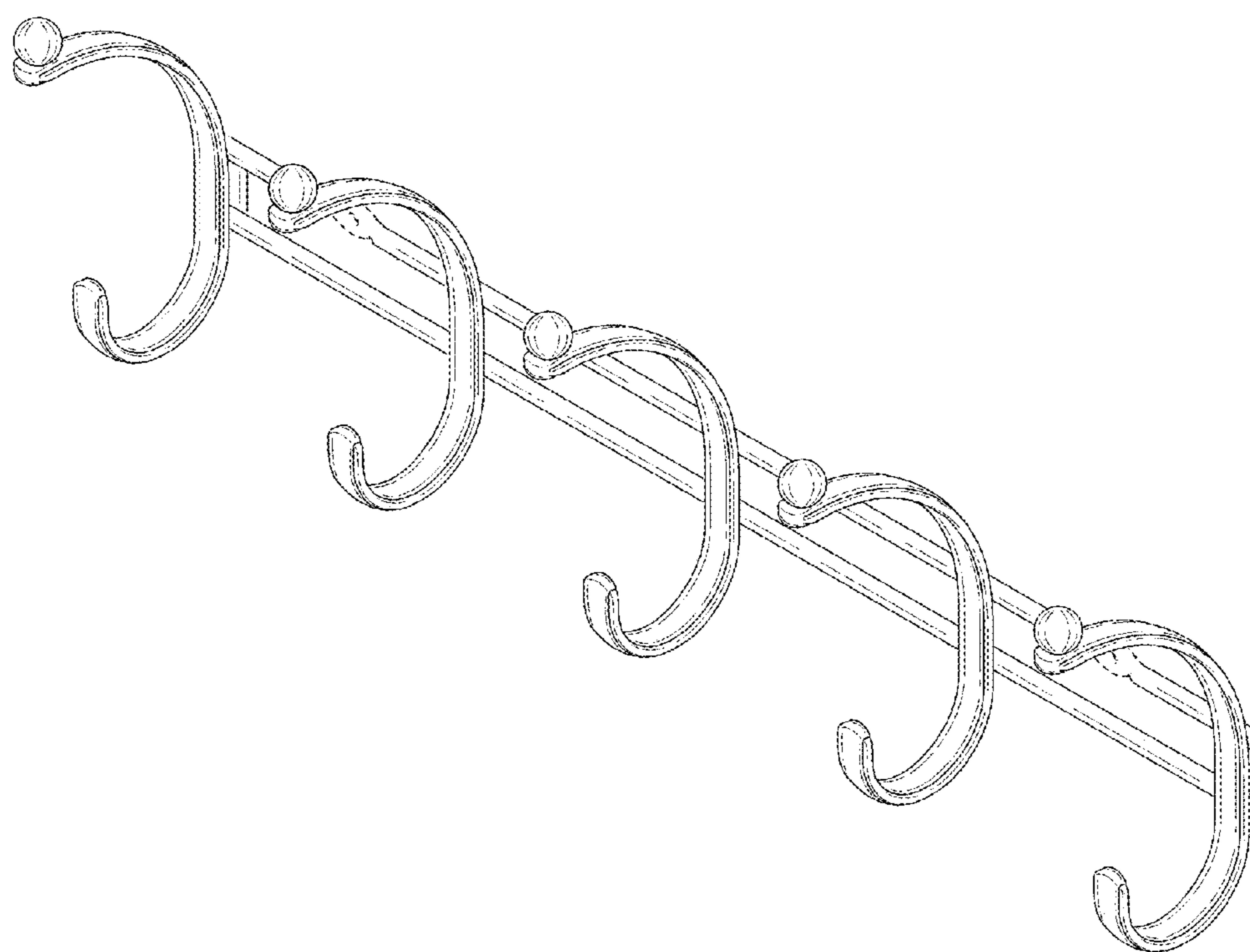


FIG 8

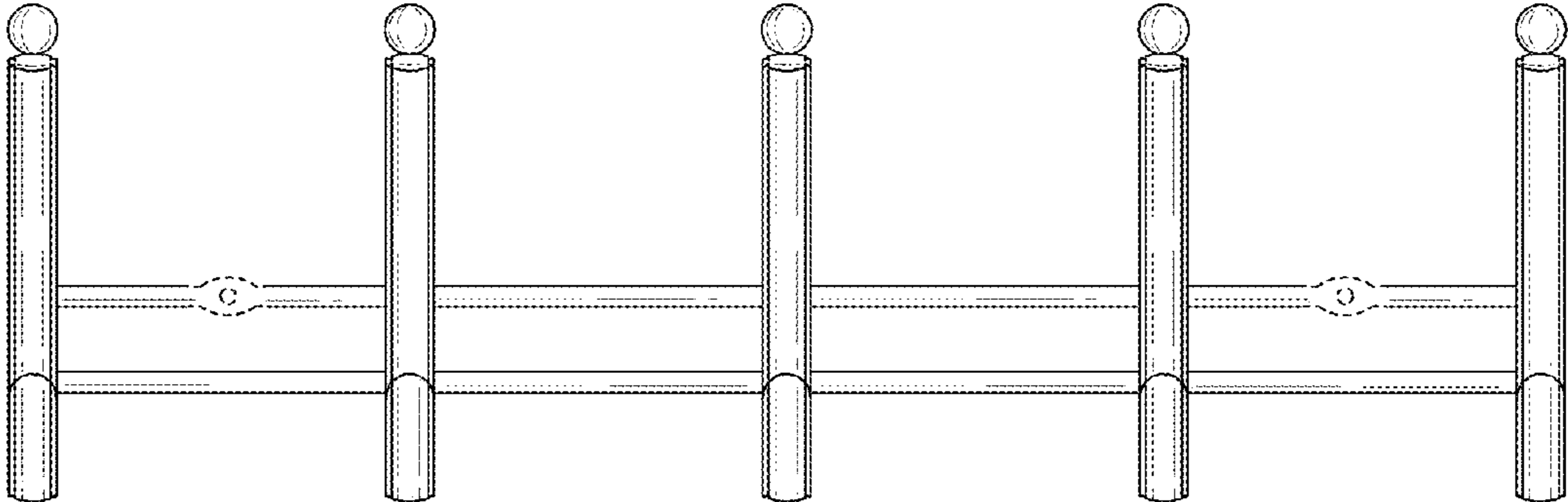


FIG 9

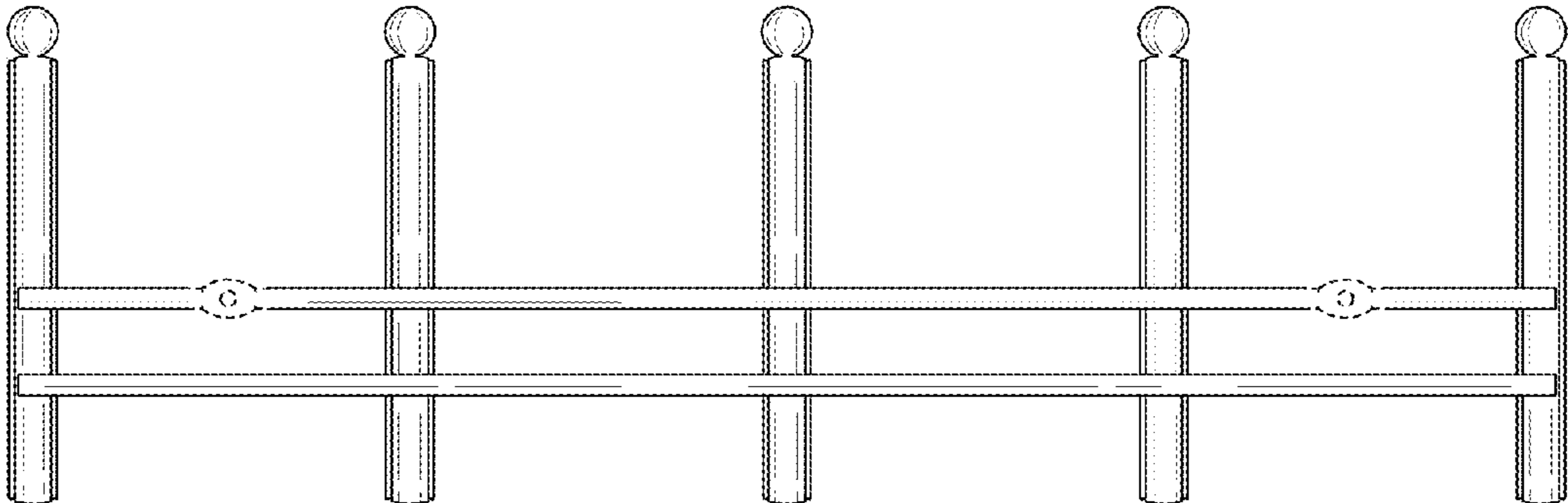


FIG 10

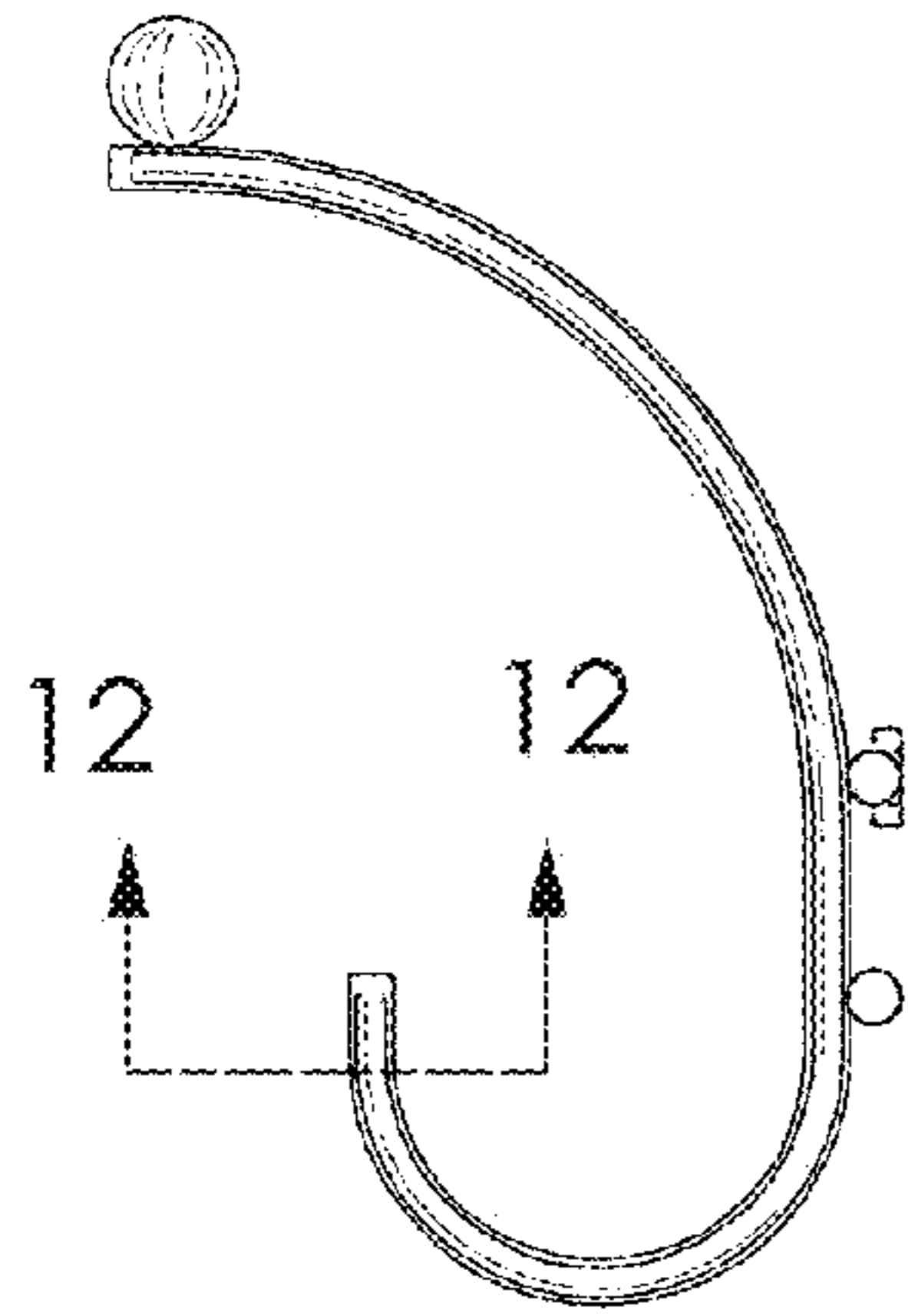


FIG 11



FIG 12

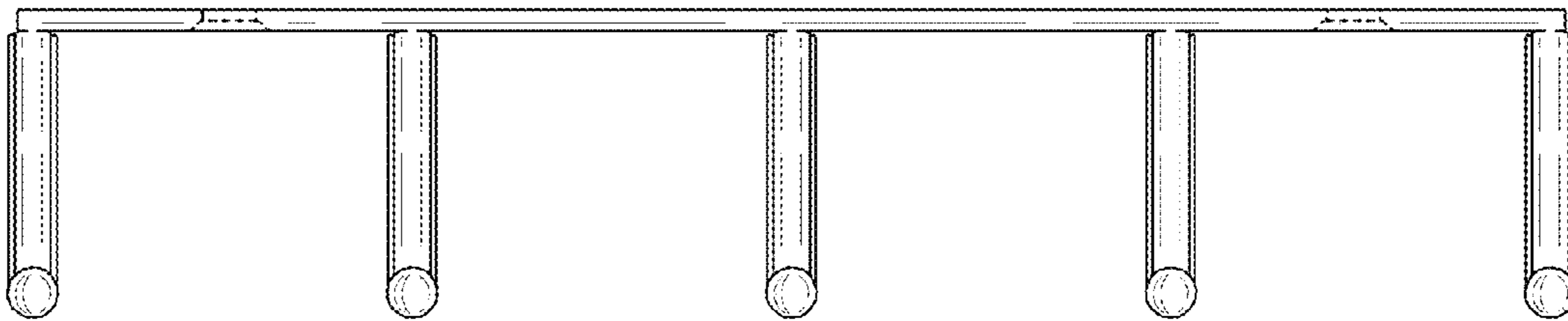


FIG 13

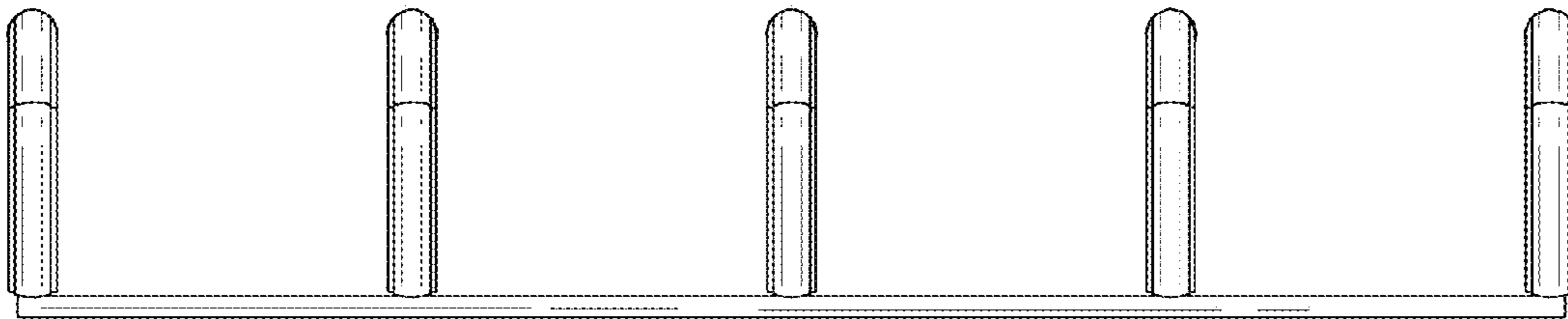


FIG 14