



US00D707541S

(12) **United States Design Patent**
Goodman et al.

(10) **Patent No.:** **US D707,541 S**
(45) **Date of Patent:** **** Jun. 24, 2014**

(54) **HOOK**

(71) Applicant: **Spectrum Diversified Designs, Inc.**,
Streetsboro, OH (US)

(72) Inventors: **Sheldon H. Goodman**, Solon, OH (US);
Phaysouk Xayoiphonh, Akron, OH
(US)

(73) Assignee: **Spectrum Diversified Designs, Inc.**,
Streetsboro, OH (US)

(**) Term: **14 Years**

(21) Appl. No.: **29/441,504**

(22) Filed: **Jan. 7, 2013**

(51) **LOC (10) Cl.** **08-05**

(52) **U.S. Cl.**
USPC **D8/372**

(58) **Field of Classification Search**
USPC D8/372, 370, 367; 248/302–303;
211/105.1, 106, 112, 114
See application file for complete search history.

(56) **References Cited**

U.S. PATENT DOCUMENTS

D357,403	S	*	4/1995	Goodman et al.	D8/372
D363,208	S	*	10/1995	Seidel	D8/372
D421,382	S	*	3/2000	Abdi	D8/372
D436,839	S	*	1/2001	Goodman et al.	D8/372
D461,706	S	*	8/2002	Goodman et al.	D8/372
D465,406	S	*	11/2002	Goodman et al.	D8/372
D465,998	S	*	11/2002	Goodman et al.	D8/372
D466,396	S	*	12/2002	Snell	D8/372
D472,134	S	*	3/2003	Goodman et al.	D8/372
D473,454	S	*	4/2003	Goodman et al.	D8/370

D473,455	S	*	4/2003	Goodman et al.	D8/372
D479,796	S	*	9/2003	Snell	D8/372
D568,725	S	*	5/2008	Snider	D8/372
D669,768	S	*	10/2012	Tawil	D8/372

* cited by examiner

Primary Examiner — Holly Baynham

(74) *Attorney, Agent, or Firm* — Benesch, Friedlander,
Coplan & Aronoff, LLP

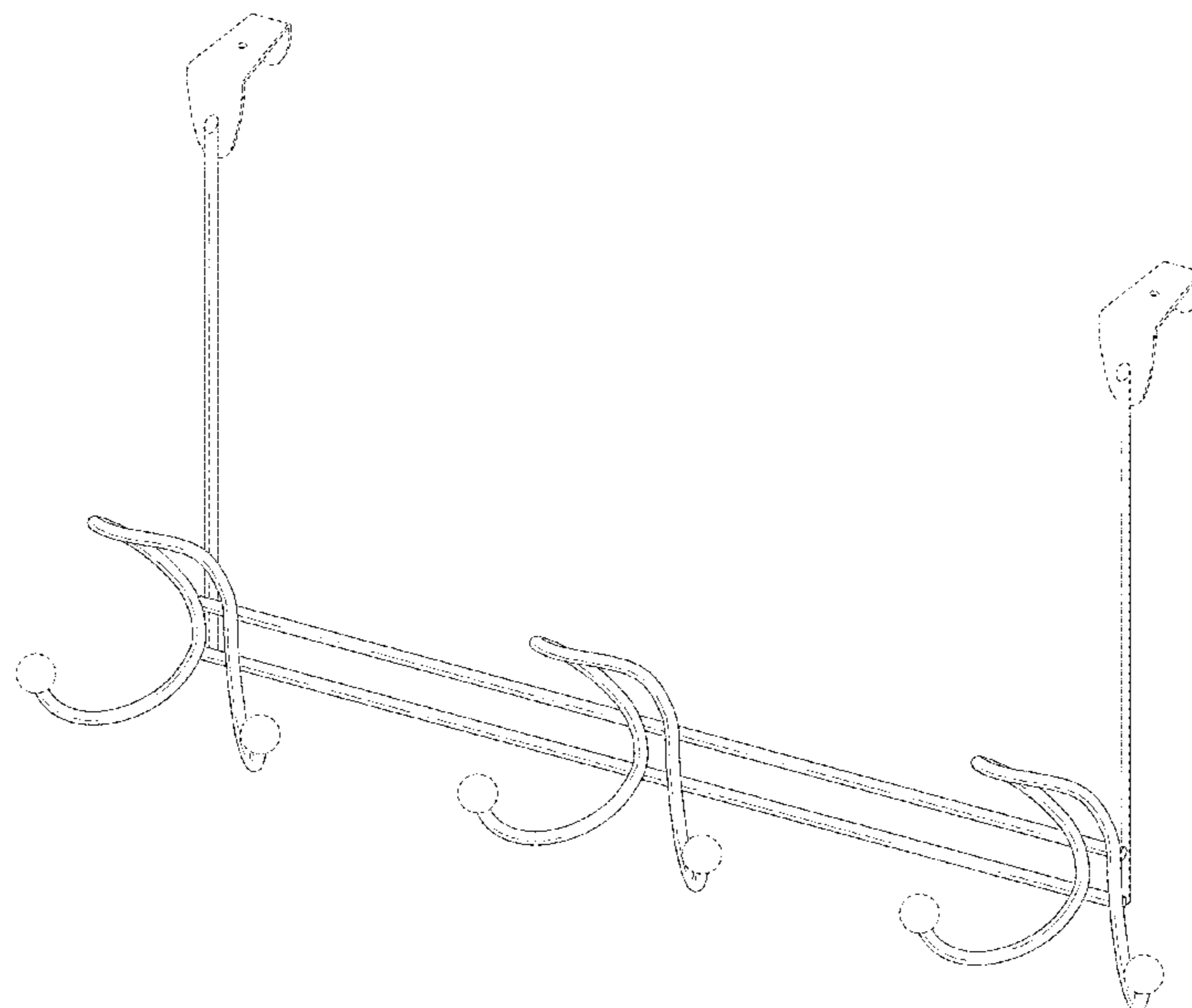
(57) **CLAIM**

What is claimed is the ornamental design for ornamental
hook, as shown and described.

DESCRIPTION

FIG. 1 is a perspective view of ornamental hook showing a
new design;
FIG. 2 is a front view of the ornamental hook of FIG. 1;
FIG. 3 is a side view of the ornamental hook of FIG. 1;
FIG. 4 is a rear view of the ornamental hook of FIG. 1;
FIG. 5 is a top view of the ornamental hook of FIG. 1;
FIG. 6 is a bottom view of the ornamental hook of FIG. 1;
FIG. 7 is a perspective view of another embodiment of the
ornamental hook showing a new design;
FIG. 8 is a front view of the ornamental hook of FIG. 7;
FIG. 9 is a side view of the ornamental hook of FIG. 7;
FIG. 10 is a rear view of the ornamental hook of FIG. 7;
FIG. 11 is a top view of the ornamental hook of FIG. 7; and,
FIG. 12 is a bottom view of the ornamental hook of FIG. 7.
The broken lines showing the circular ends of the hooks,
openings and over the door brackets are for the purposes of
illustrating environment and form no part of the claimed
design. The broken lines adjacent to the shading on the
extending elements represent the boundaries of the claim and
form no part of the claimed design.

1 Claim, 6 Drawing Sheets



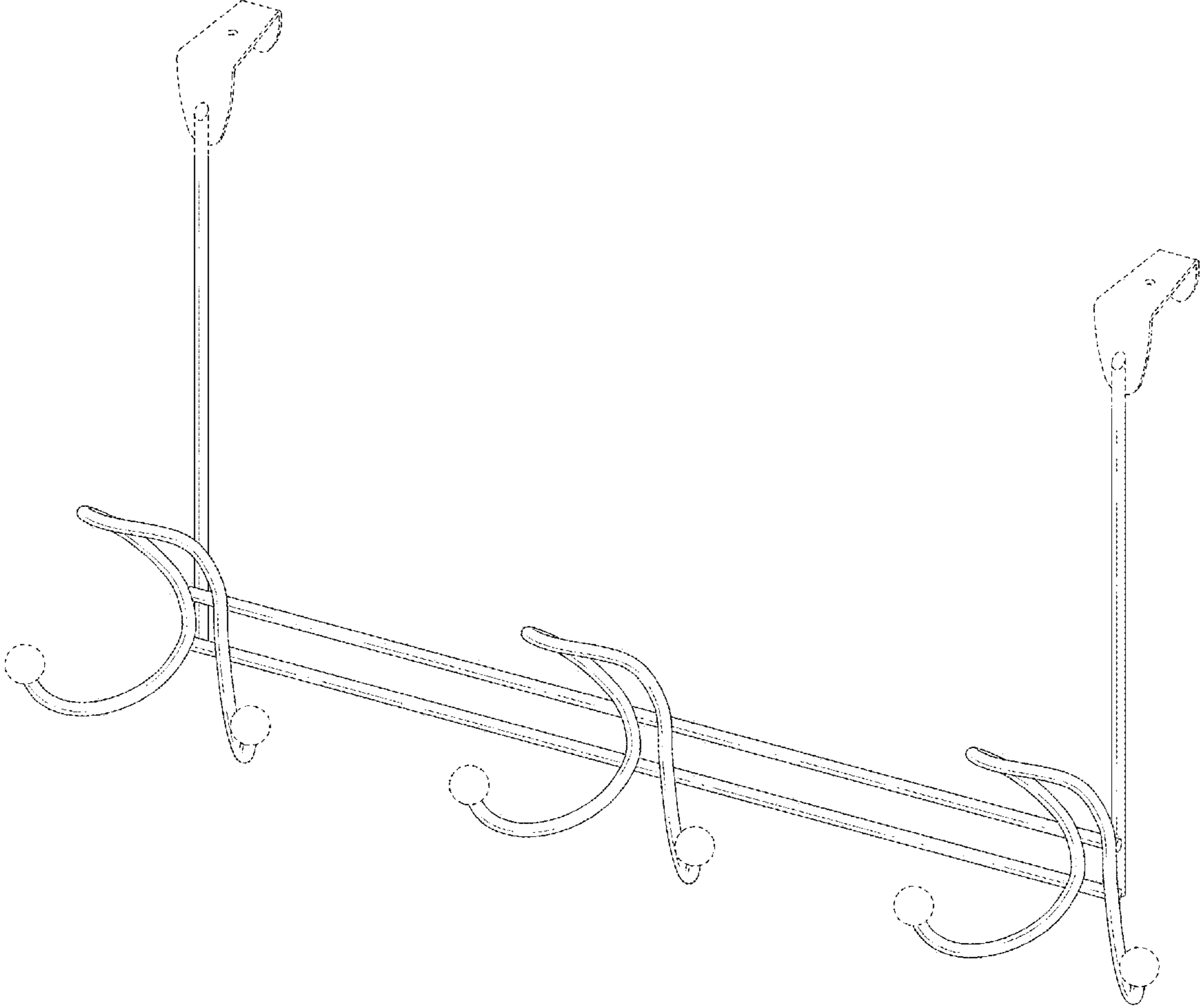


FIG 1

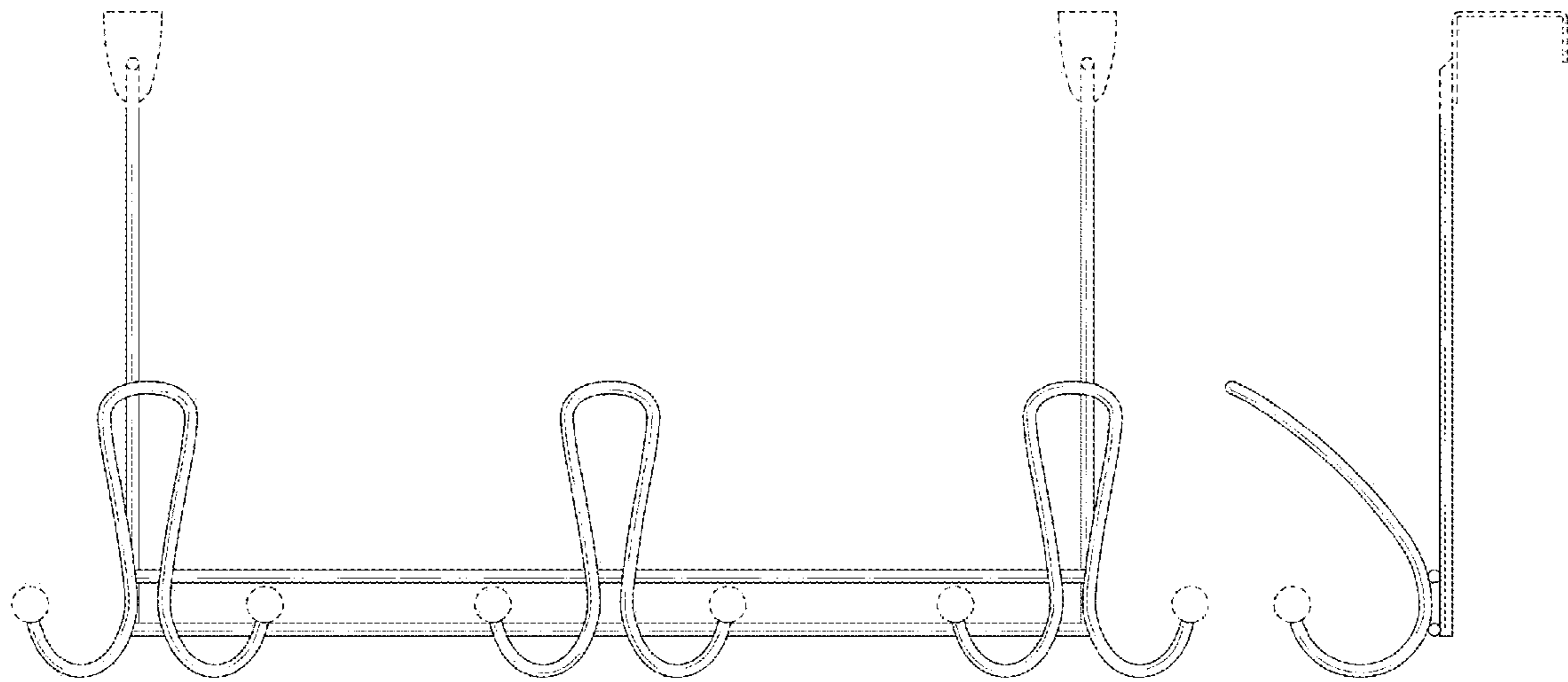


FIG 2

FIG 3

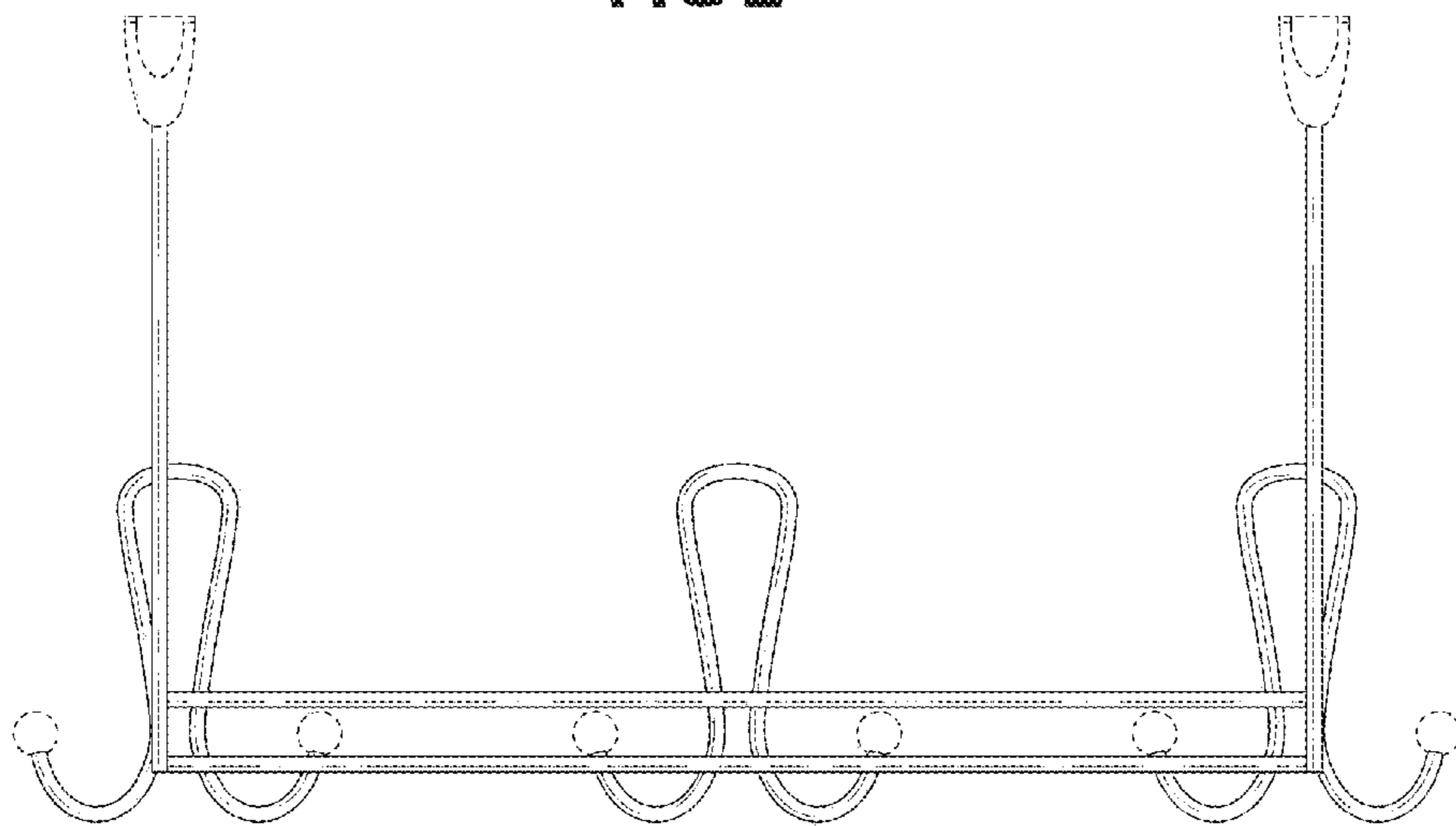


FIG 4

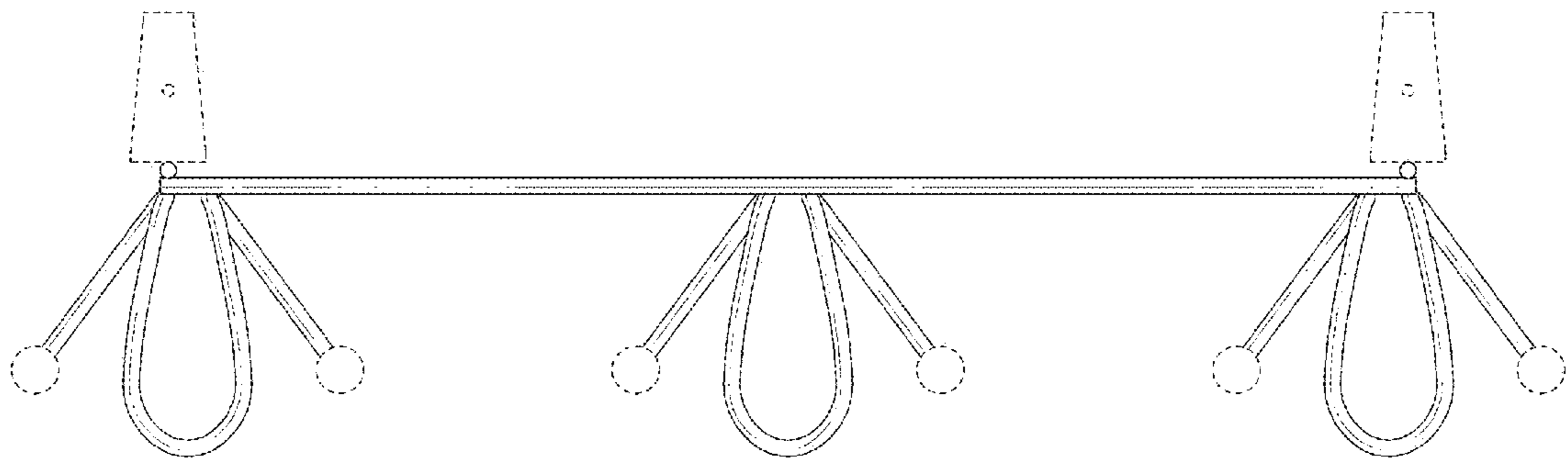


FIG 5

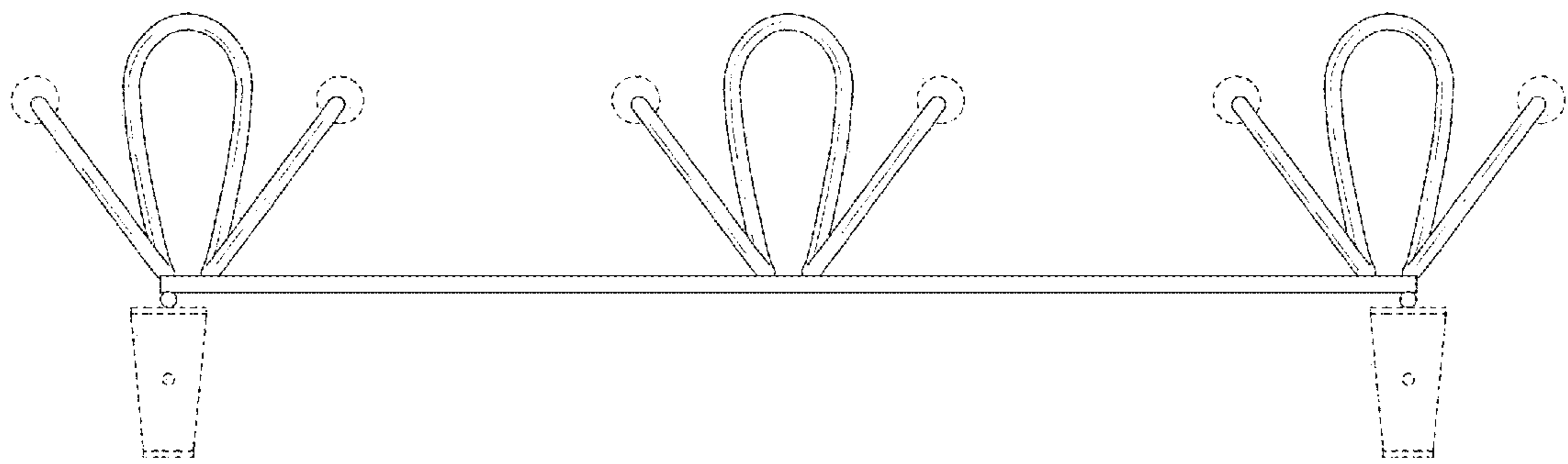


FIG 6

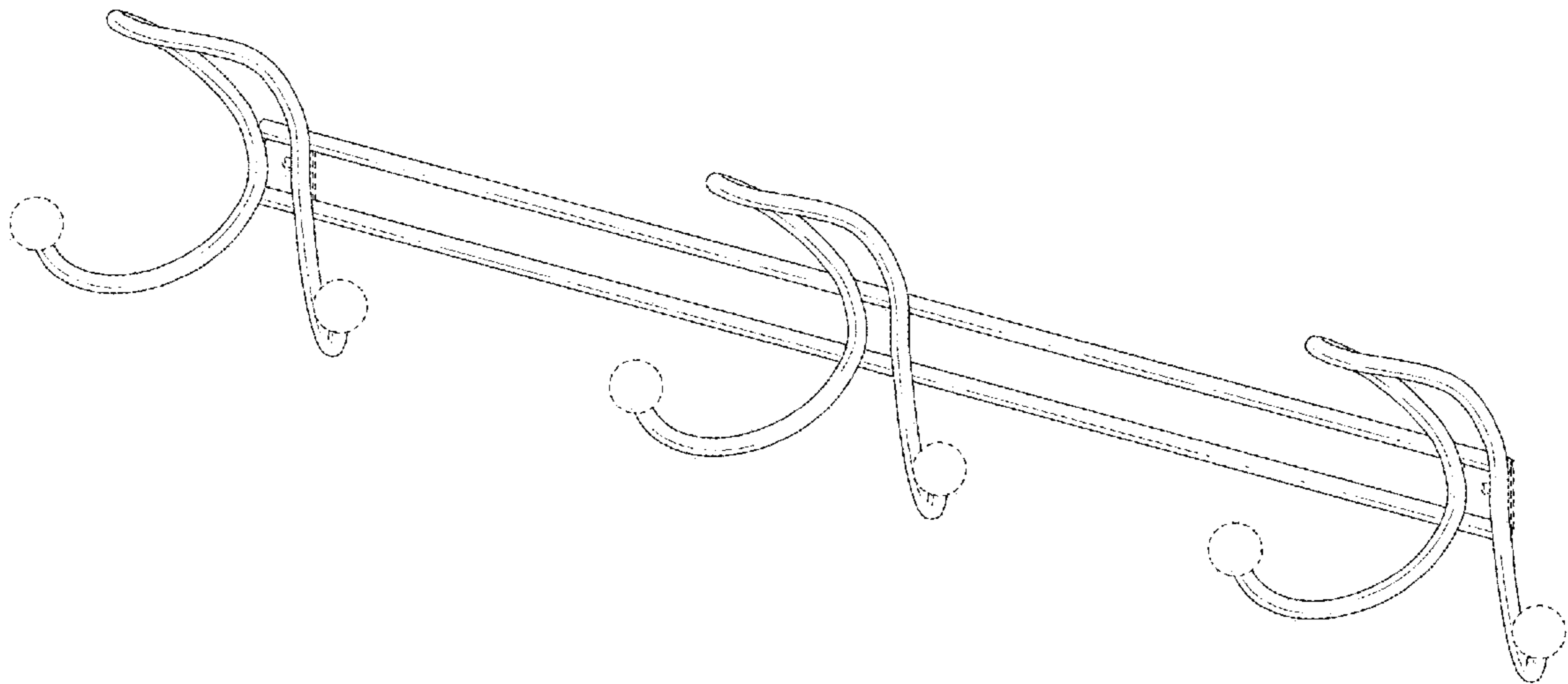


FIG 7

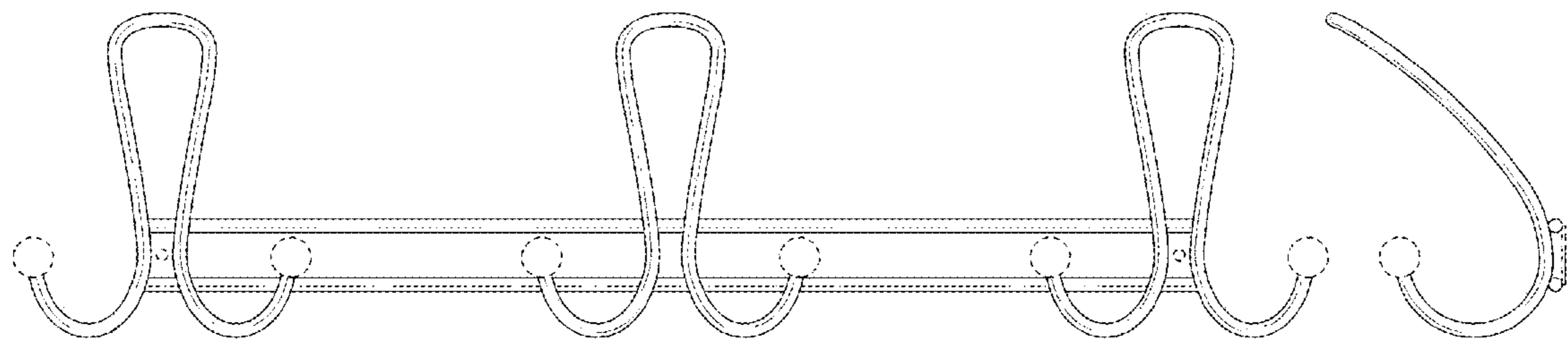


FIG 8

FIG 9

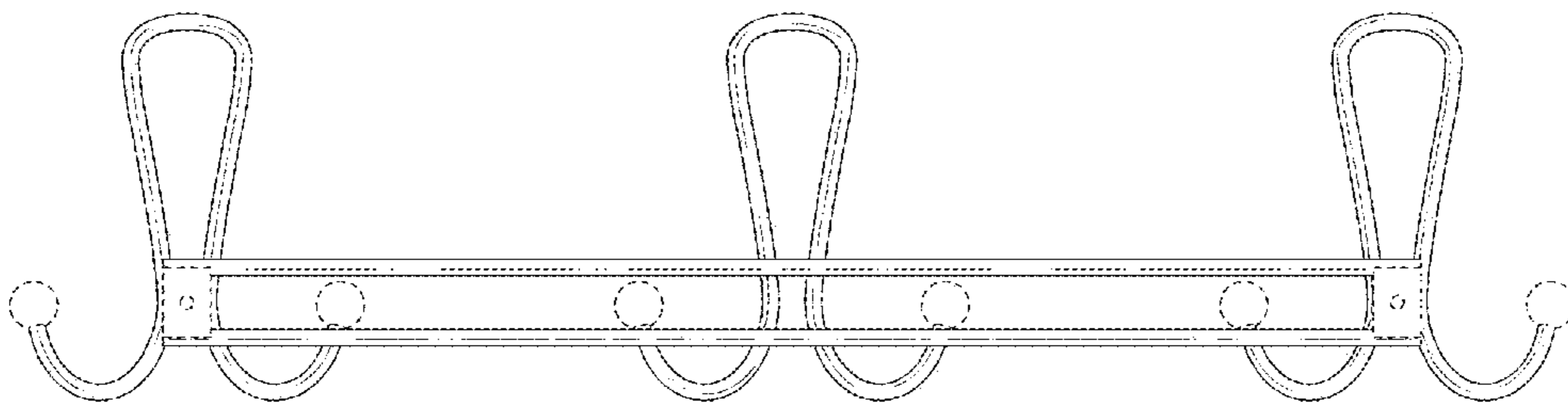


FIG 10

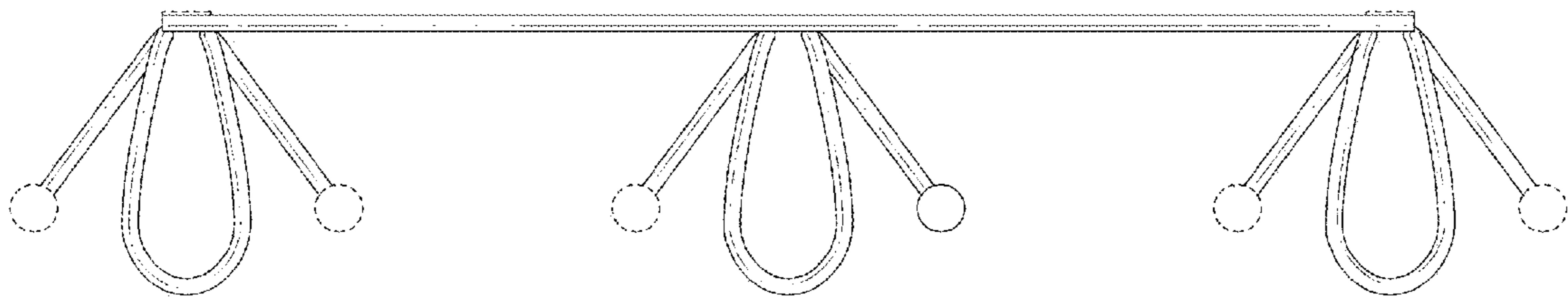


FIG 11

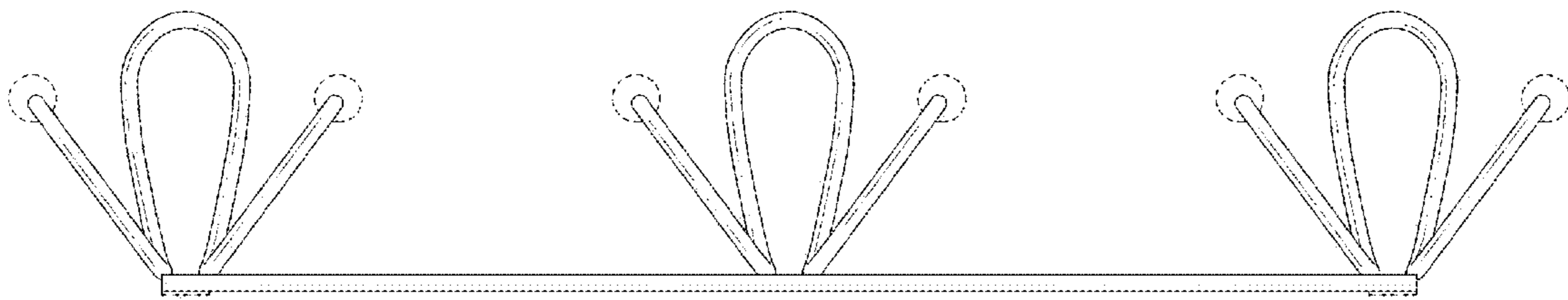


FIG 12