



US00D707539S

(12) **United States Design Patent**
Goodman et al.

(10) **Patent No.:** **US D707,539 S**
(45) **Date of Patent:** **** Jun. 24, 2014**

(54) **HOOK**

(74) *Attorney, Agent, or Firm* — Benesch, Freindlander, Coplan & Aronoff, LLP

(71) Applicant: **Spectrum Diversified Designs, Inc.**,
Streetsboro, OH (US)

(72) Inventors: **Sheldon H. Goodman**, Solon, OH (US);
Phaysouk Xayoiphonh, Akron, OH (US)

(57) **CLAIM**

What is claimed is the ornamental design for ornamental hook, as shown and described.

(73) Assignee: **Spectrum Diversified Designs, Inc.**,
Streetsboro, OH (US)

(**) Term: **14 Years**

DESCRIPTION

(21) Appl. No.: **29/441,502**

FIG. 1 is a perspective view of ornamental hooks showing a new design;

(22) Filed: **Jan. 7, 2013**

FIG. 2 is a front view of the ornamental hooks of FIG. 1;

(51) **LOC (10) Cl.** **08-05**

FIG. 3 is a side view of the ornamental hooks of FIG. 1;

(52) **U.S. Cl.**

FIG. 4 is a rear view of the ornamental hooks of FIG. 1;

USPC **D8/372**

FIG. 5 is a top view of the ornamental hooks of FIG. 1;

(58) **Field of Classification Search**

USPC D8/367, 370, 372; 248/302–303;
211/105.1, 106, 112, 119

FIG. 6 is a cross-sectional view along line 6-6 of FIG. 5;

See application file for complete search history.

FIG. 7 is a bottom view of the ornamental hooks of FIG. 1;

FIG. 8 is a perspective view of a second embodiment of the design shown in FIG. 1;

FIG. 9 is a front elevational view the ornamental hook of FIG. 8;

(56) **References Cited**

U.S. PATENT DOCUMENTS

D357,403 S *	4/1995	Goodman et al.	D8/372
D363,208 S *	10/1995	Seidel	D8/372
D421,382 S *	3/2000	Abdi	D8/372
D436,839 S *	1/2001	Goodman et al.	D8/372
D461,706 S *	8/2002	Goodman et al.	D8/372
D465,406 S *	11/2002	Goodman et al.	D8/372
D465,998 S *	11/2002	Goodman et al.	D8/372
D466,396 S *	12/2002	Snell	D8/372
D472,134 S *	3/2003	Goodman et al.	D8/372
D473,454 S *	4/2003	Goodman et al.	D8/370

(Continued)

FIG. 10 is a side view of the ornamental hook of FIG. 8;

FIG. 11 is a rear view of the ornamental hook of FIG. 8;

FIG. 12 is a top view of the ornamental hook of FIG. 8;

FIG. 13 is a cross-sectional view along line line 13-13 of FIG. 12;

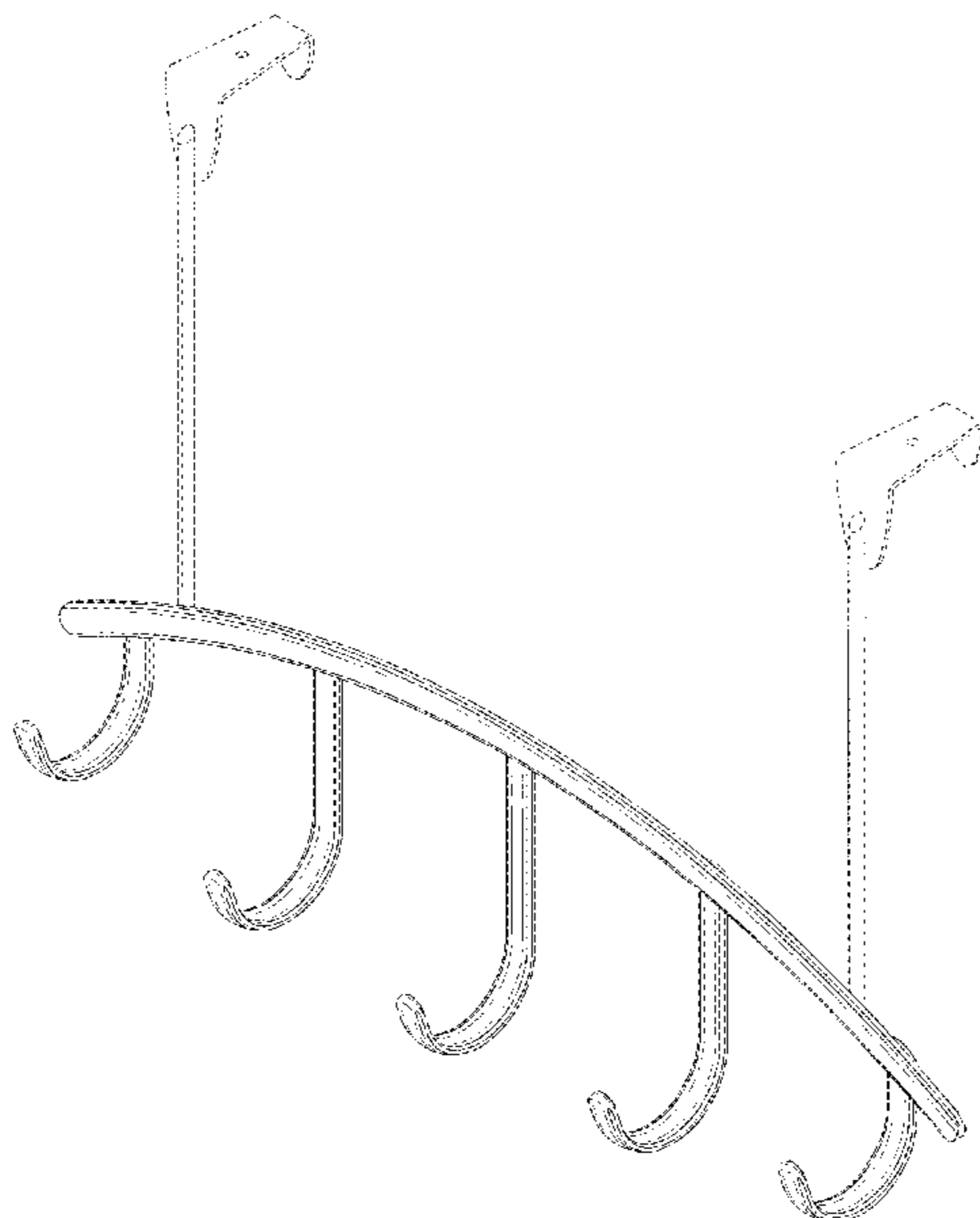
FIG. 14 is a bottom view of the ornamental hook of FIG. 8; and,

FIG. 15 is a cross-sectional view along 15-15 of FIG. 14.

The broken lines showing the over the door brackets are for the purposes of illustrating environment and form no part of the claimed design. The broken lines adjacent the shading on the extending poles represent the boundaries of the claim and are not part of the claimed design.

Primary Examiner — Holly Baynham

1 Claim, 6 Drawing Sheets



US D707,539 S

Page 2

(56)

References Cited

U.S. PATENT DOCUMENTS

D479,796 S *	9/2003	Snell	D8/372
D568,725 S *	5/2008	Snider	D8/372
D669,768 S *	10/2012	Tawil	D8/372
D473,455 S *	4/2003	Goodman et al.	D8/372

* cited by examiner

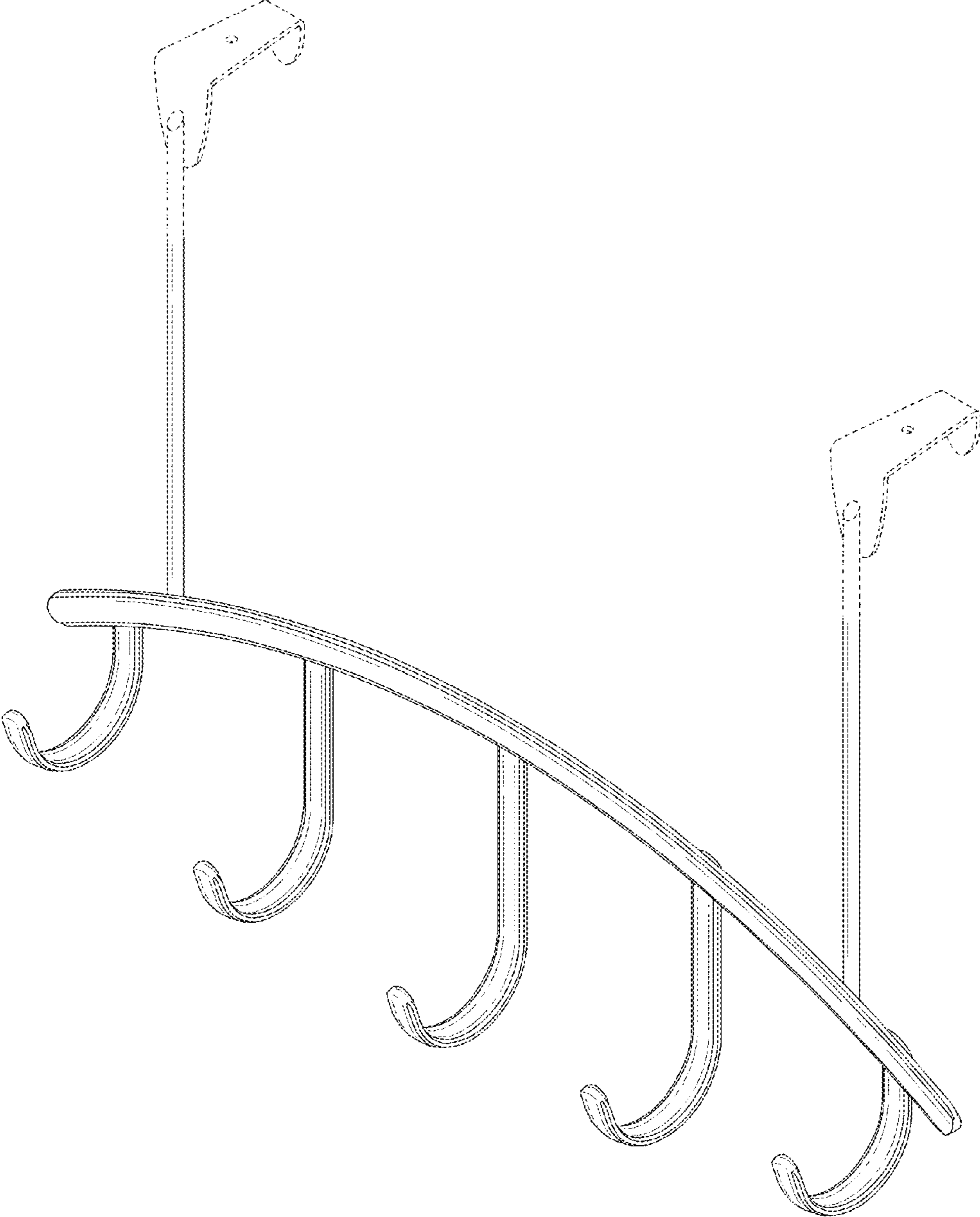


FIG 1

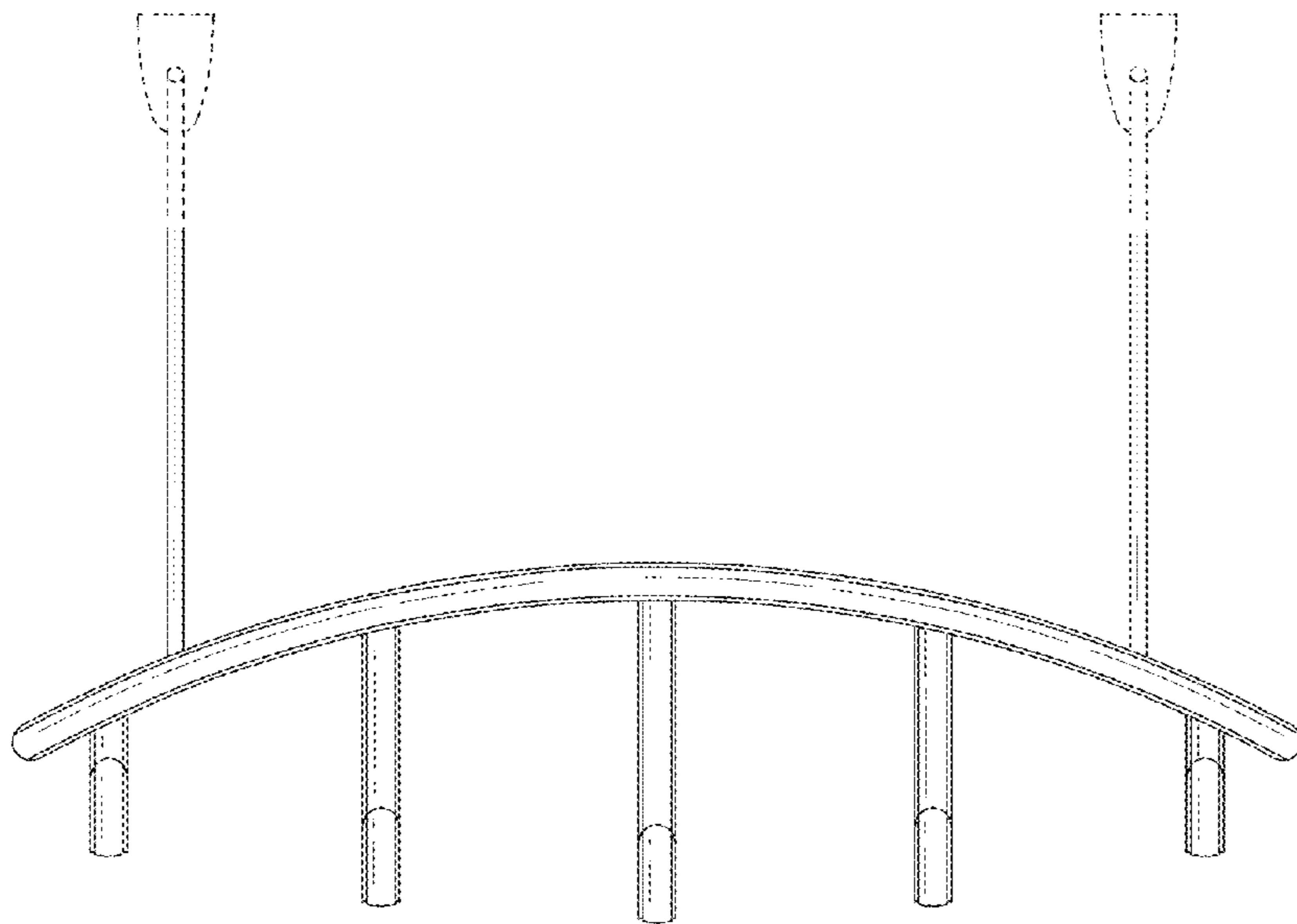


FIG 2

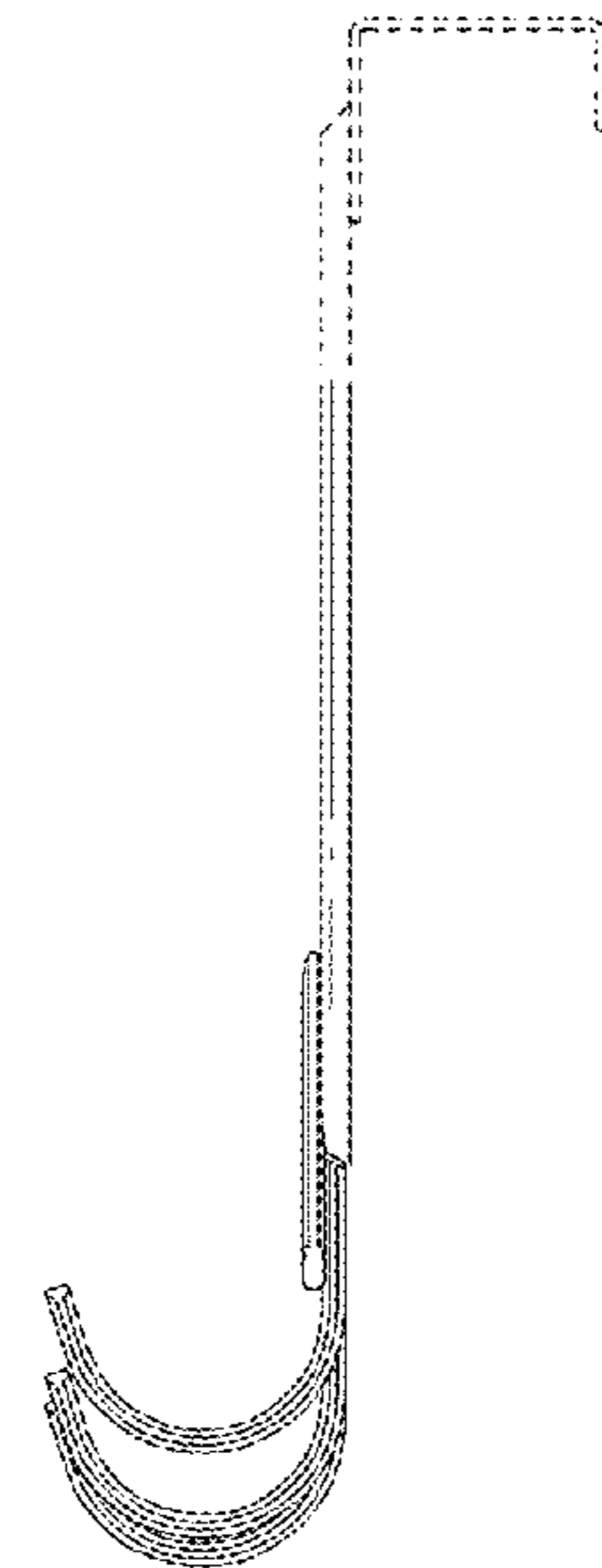


FIG 3

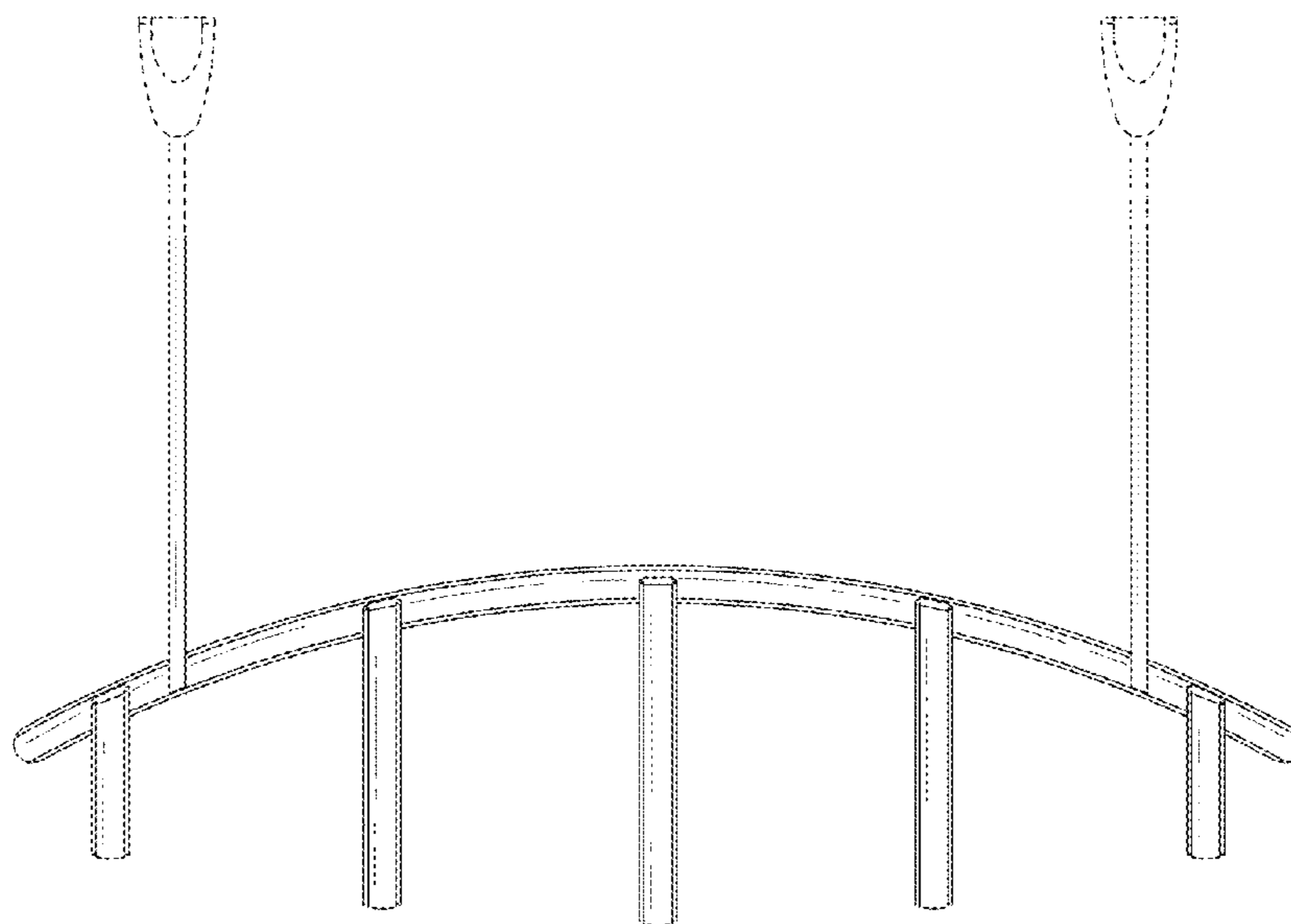


FIG 4

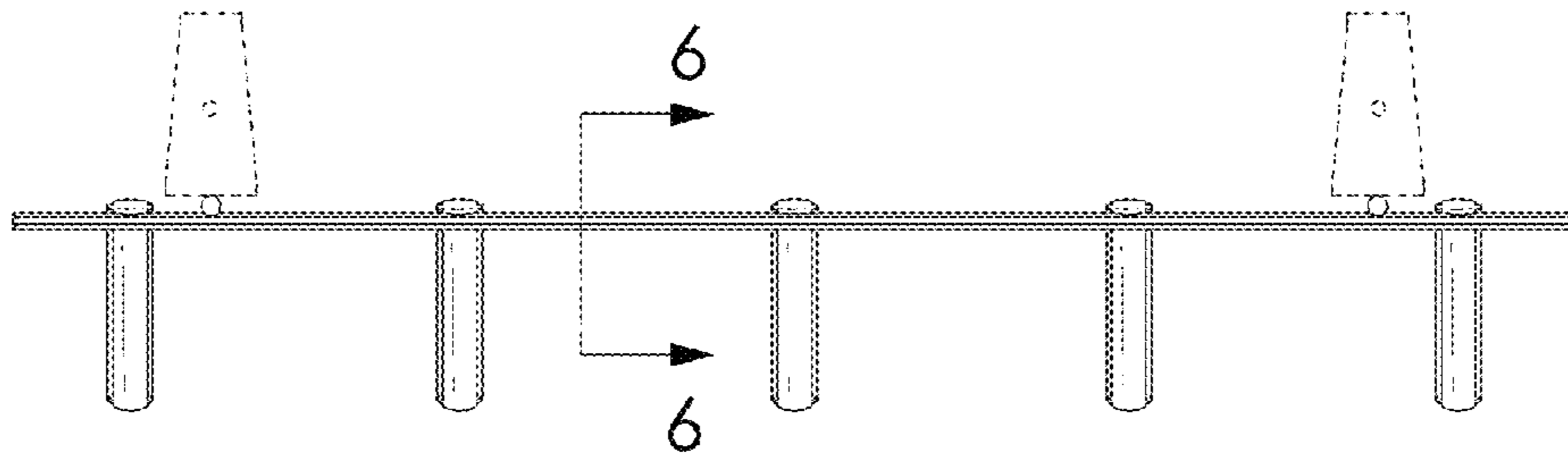


FIG 5

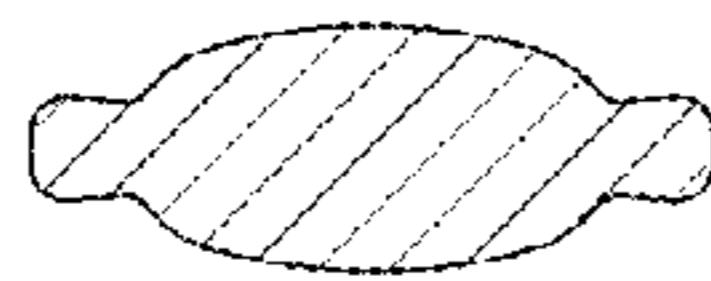


FIG 6

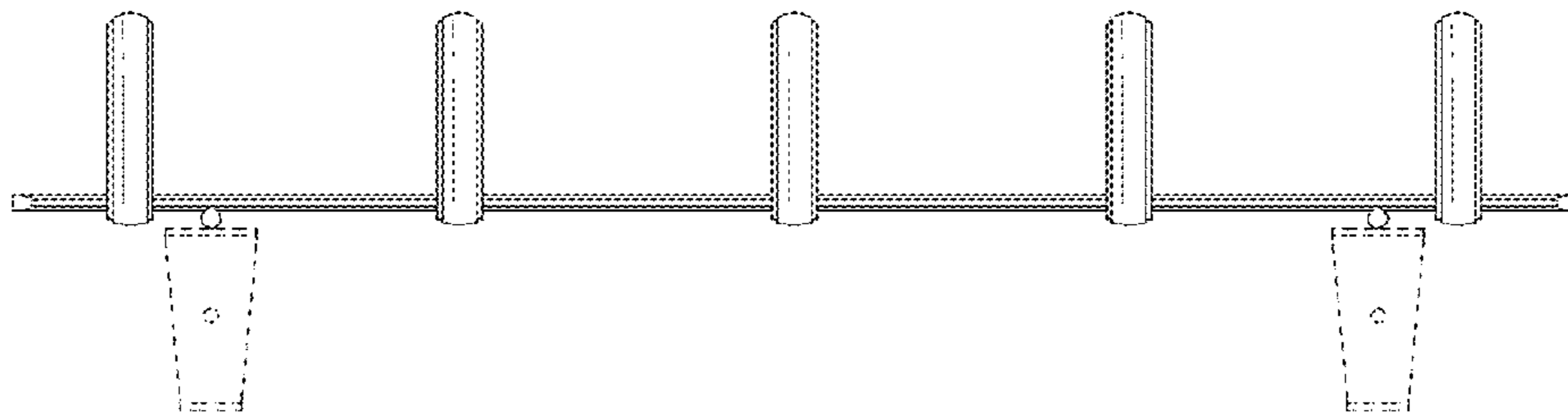


FIG 7

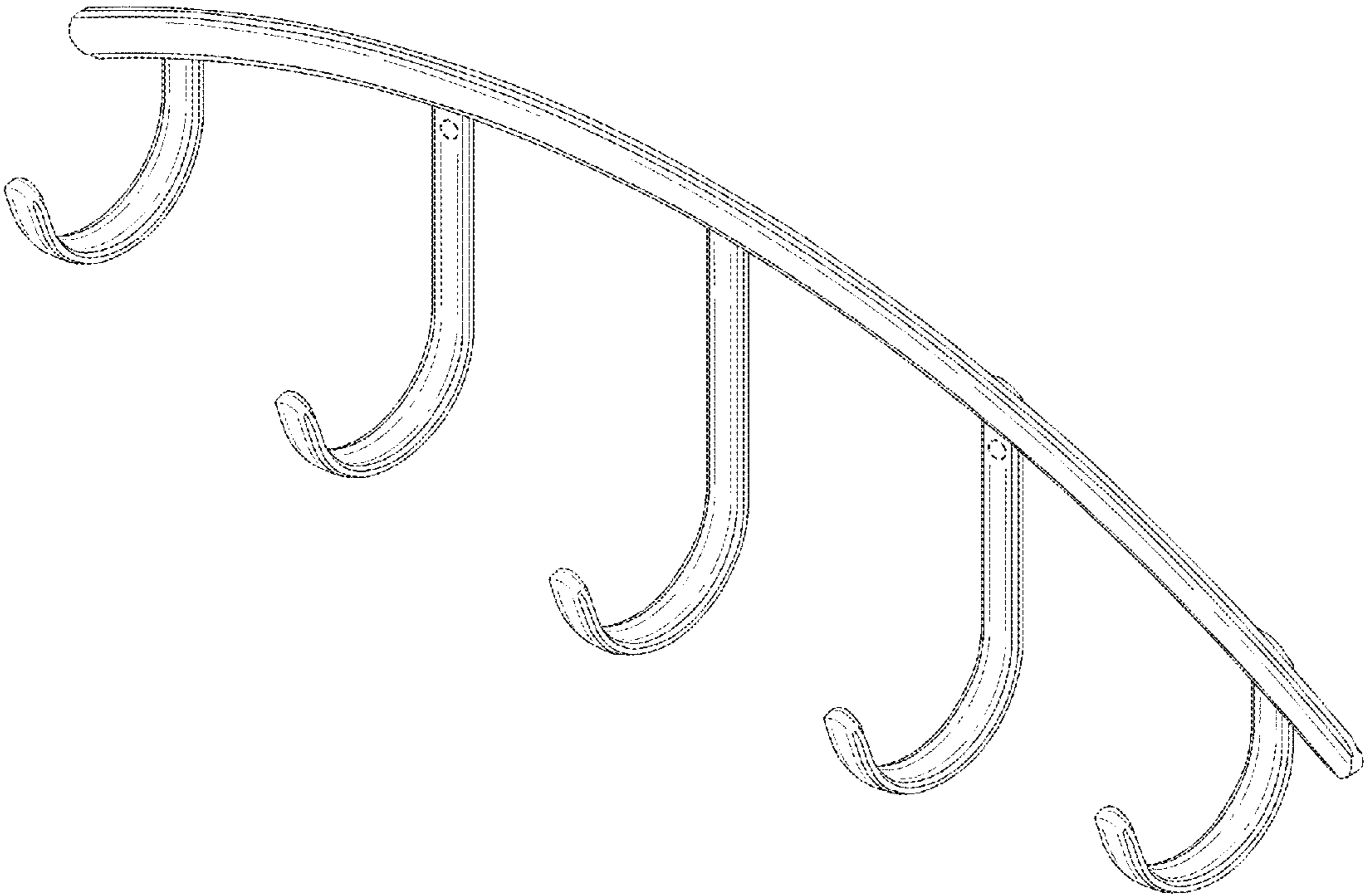


FIG 8

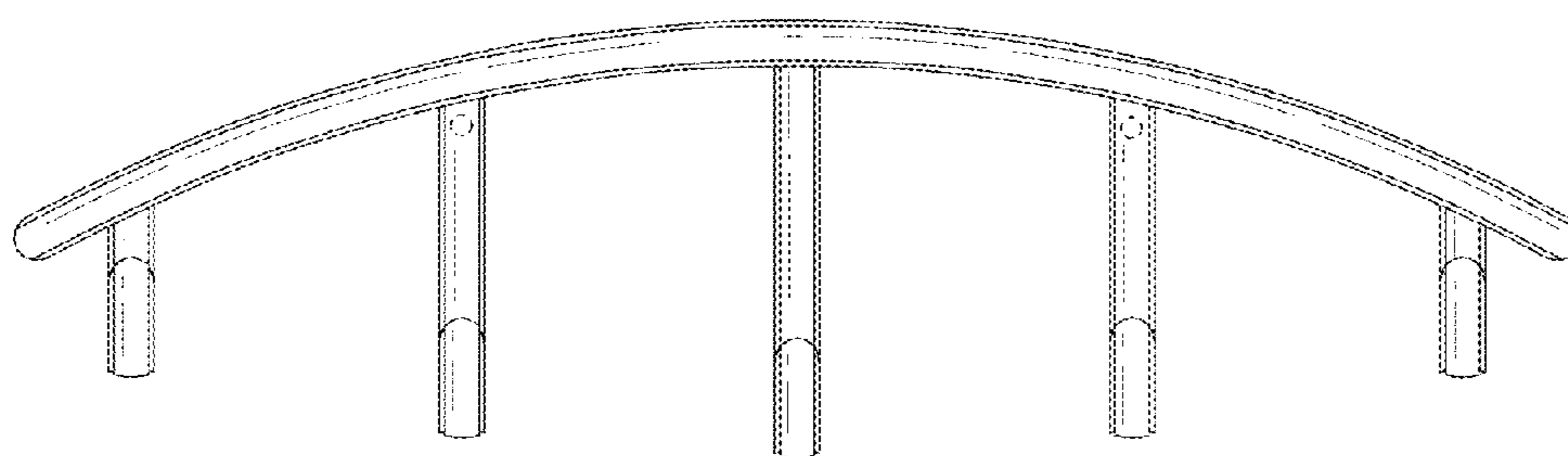


FIG 9

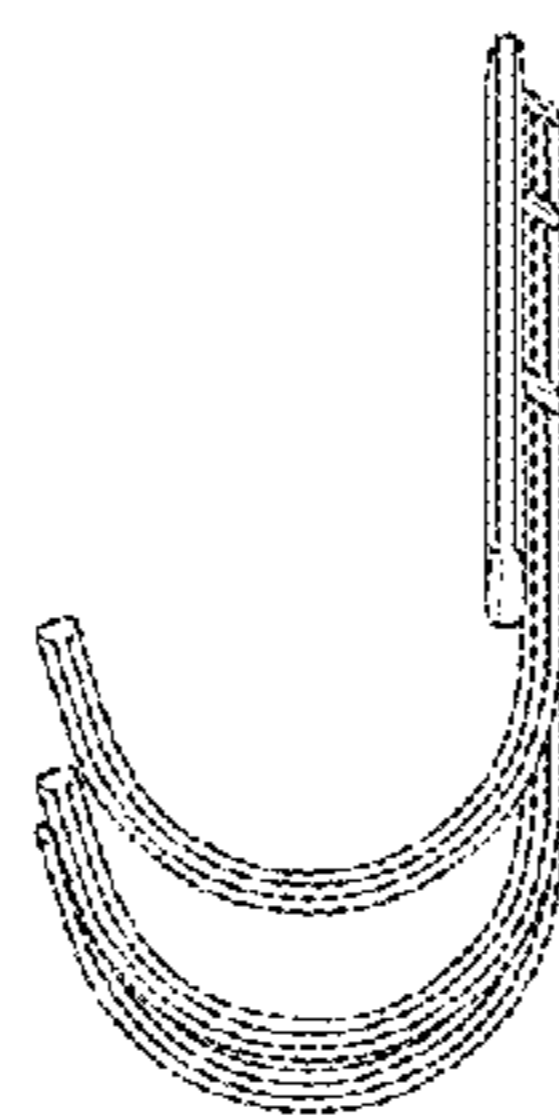


FIG 10

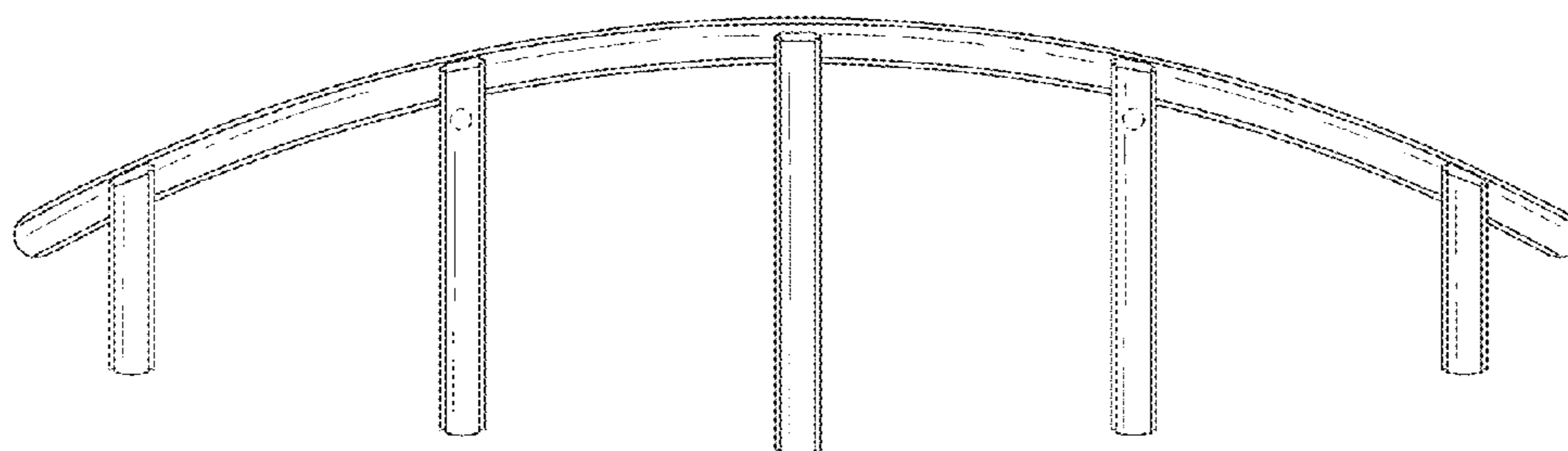


FIG 11

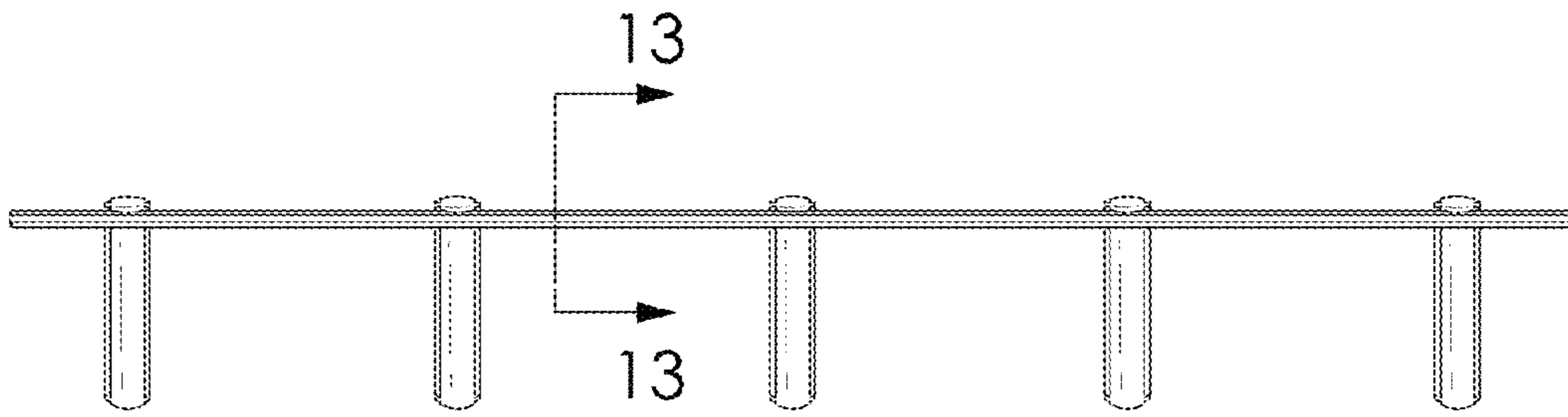


FIG 12

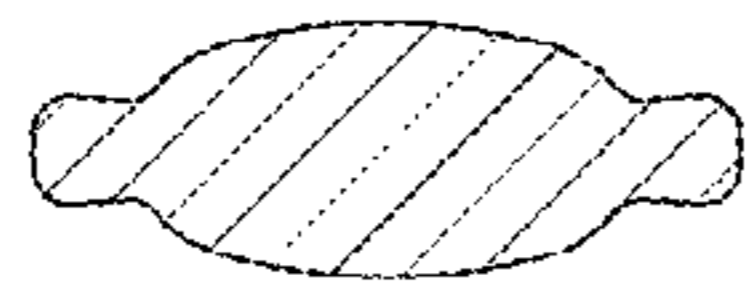


FIG 13

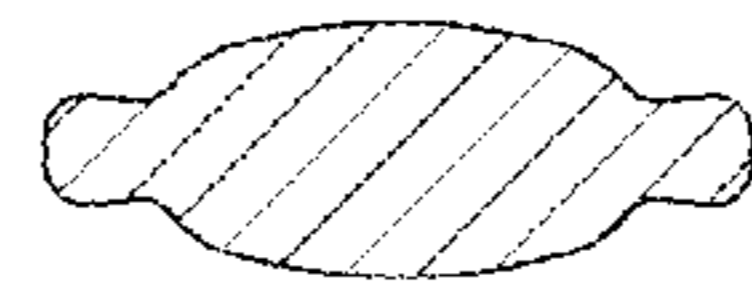


FIG 14

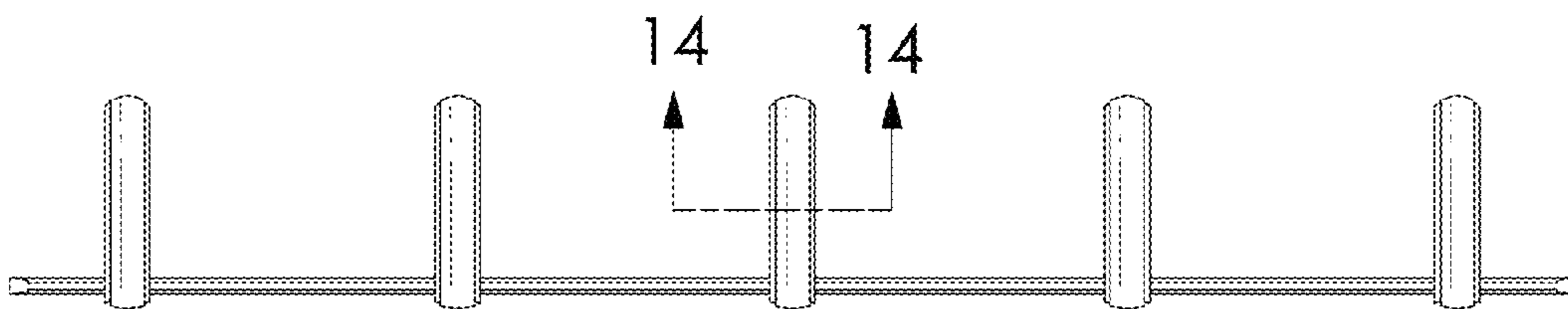


FIG 15