



US00D707538S

(12) **United States Design Patent**
Goodman et al.

(10) **Patent No.:** **US D707,538 S**
(45) **Date of Patent:** **** Jun. 24, 2014**

(54) **HOOK**

(71) Applicant: **Spectrum Diversified Designs, Inc.**,
Streetsboro, OH (US)

(72) Inventors: **Sheldon H. Goodman**, Solon, OH (US);
Phaysouk Xayoiphonh, Akron, OH
(US); **Jennifer Case**, Middleburgh
Heights, OH (US)

(73) Assignee: **Spectrum Diversified Designs, Inc.**,
Streetsboro, OH (US)

(**) Term: **14 Years**

(21) Appl. No.: **29/441,499**

(22) Filed: **Jan. 7, 2013**

(51) **LOC (10) Cl.** **08-05**

(52) **U.S. Cl.**
USPC **D8/372**

(58) **Field of Classification Search**
USPC D8/370, 372, 367; 248/302-303;
211/105.1, 106, 112, 119
See application file for complete search history.

(56) **References Cited**

U.S. PATENT DOCUMENTS

D387,569 S * 12/1997 Goodman et al. D6/323
D422,199 S * 4/2000 Snell D8/372

D493,094 S * 7/2004 Goodman et al. D8/372
D550,544 S * 9/2007 Snell D8/372
D581,771 S * 12/2008 Ernst et al. D8/372
D613,586 S * 4/2010 Goodman et al. D8/367
D628,053 S * 11/2010 Goodman et al. D8/372
D646,960 S * 10/2011 Goodman et al. D8/372

* cited by examiner

Primary Examiner — Holly Baynham

(74) *Attorney, Agent, or Firm* — Benesch, Friedlander,
Coplan & Aronoff, LLP

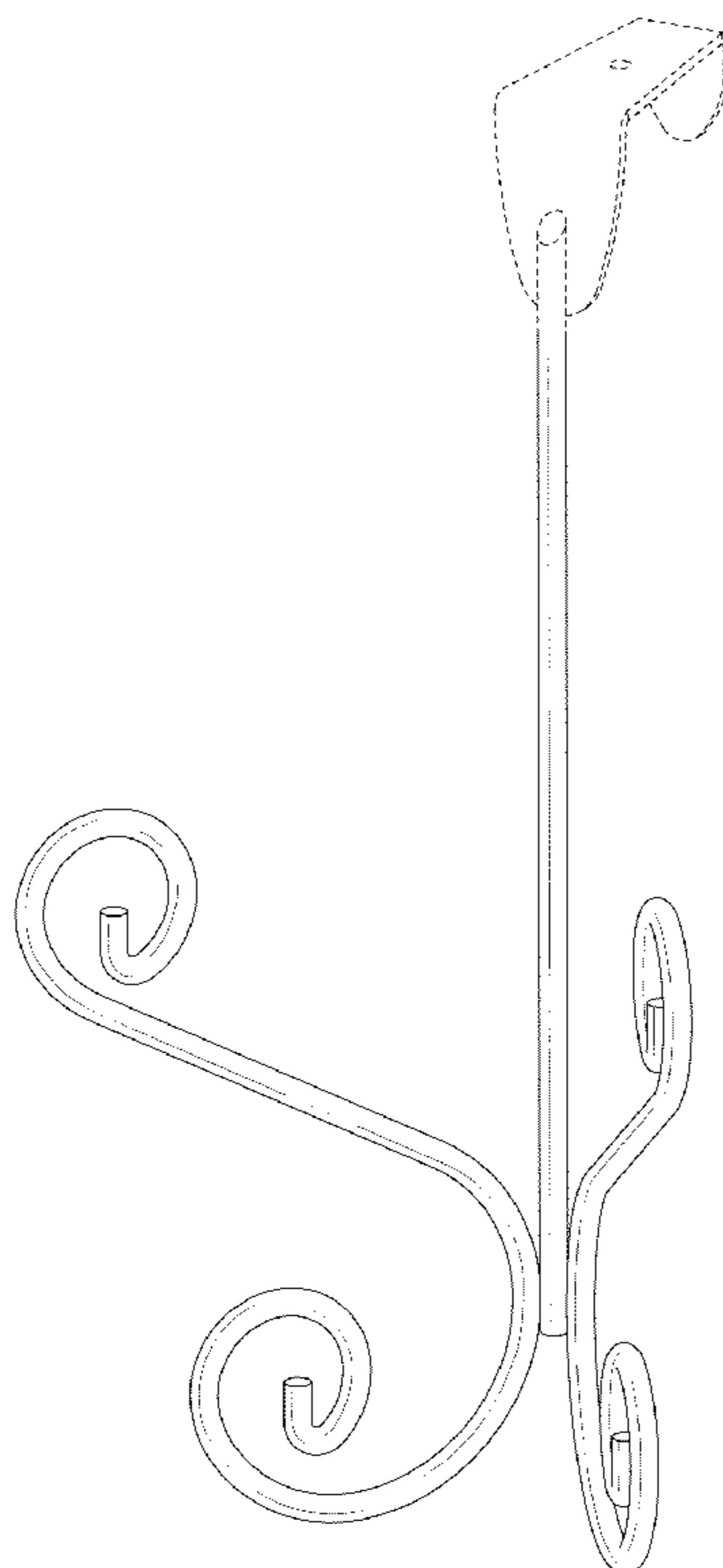
(57) **CLAIM**

What is claimed is the ornamental design for an ornamental
hook, as shown and described.

DESCRIPTION

FIG. 1 is a perspective view of an ornamental hook showing
a new design;
FIG. 2 is a top view of the ornamental hook of FIG. 1;
FIG. 3 is a front view of the ornamental hook of FIG. 1;
FIG. 4 is a side view of the ornamental hook of FIG. 1;
FIG. 5 is a rear view of the ornamental hook of FIG. 1; and,
FIG. 6 is a bottom view of the ornamental hook of FIG. 1.
The broken lines showing the circular ends of the hooks,
openings and over the door brackets are for the purposes of
illustrating environment and form no part of the claimed
design.

1 Claim, 2 Drawing Sheets



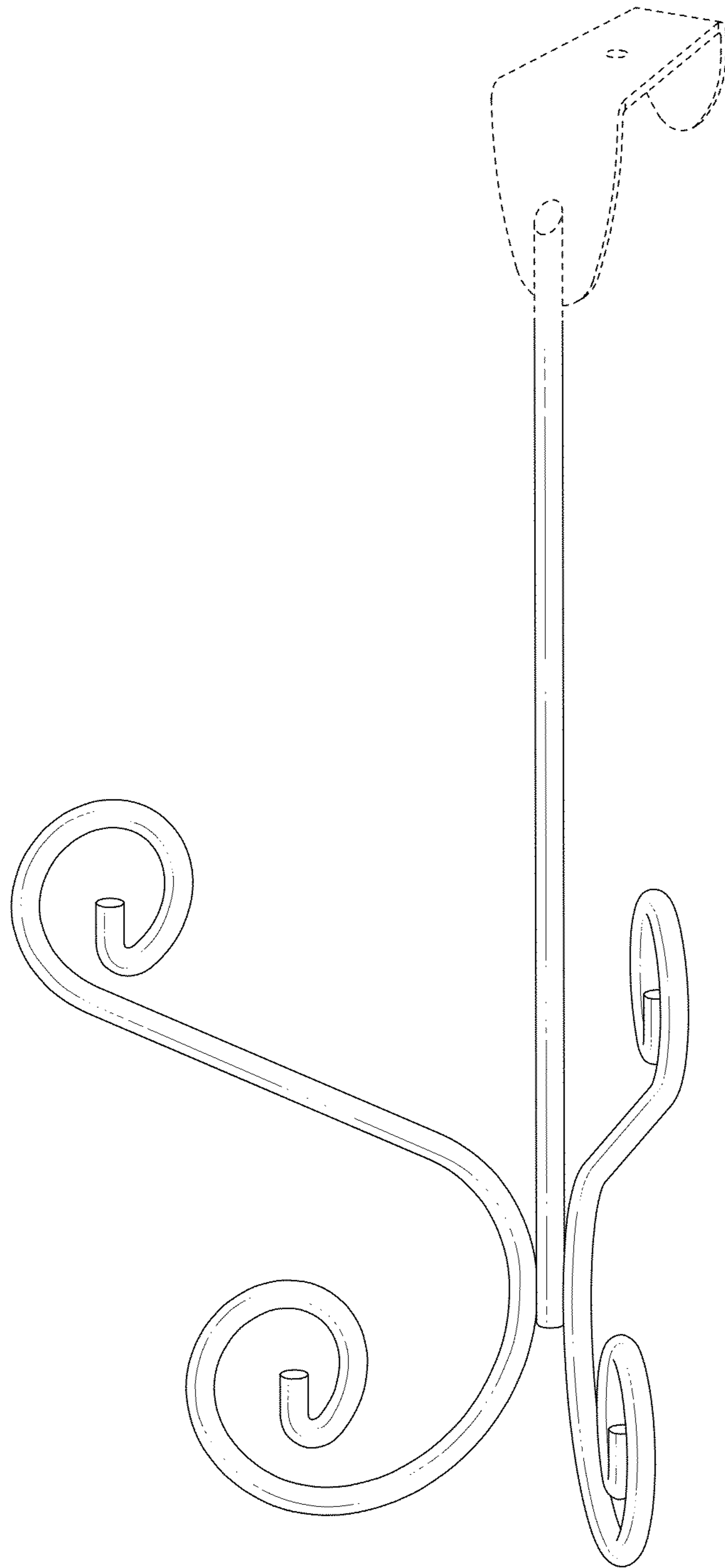


FIG 1

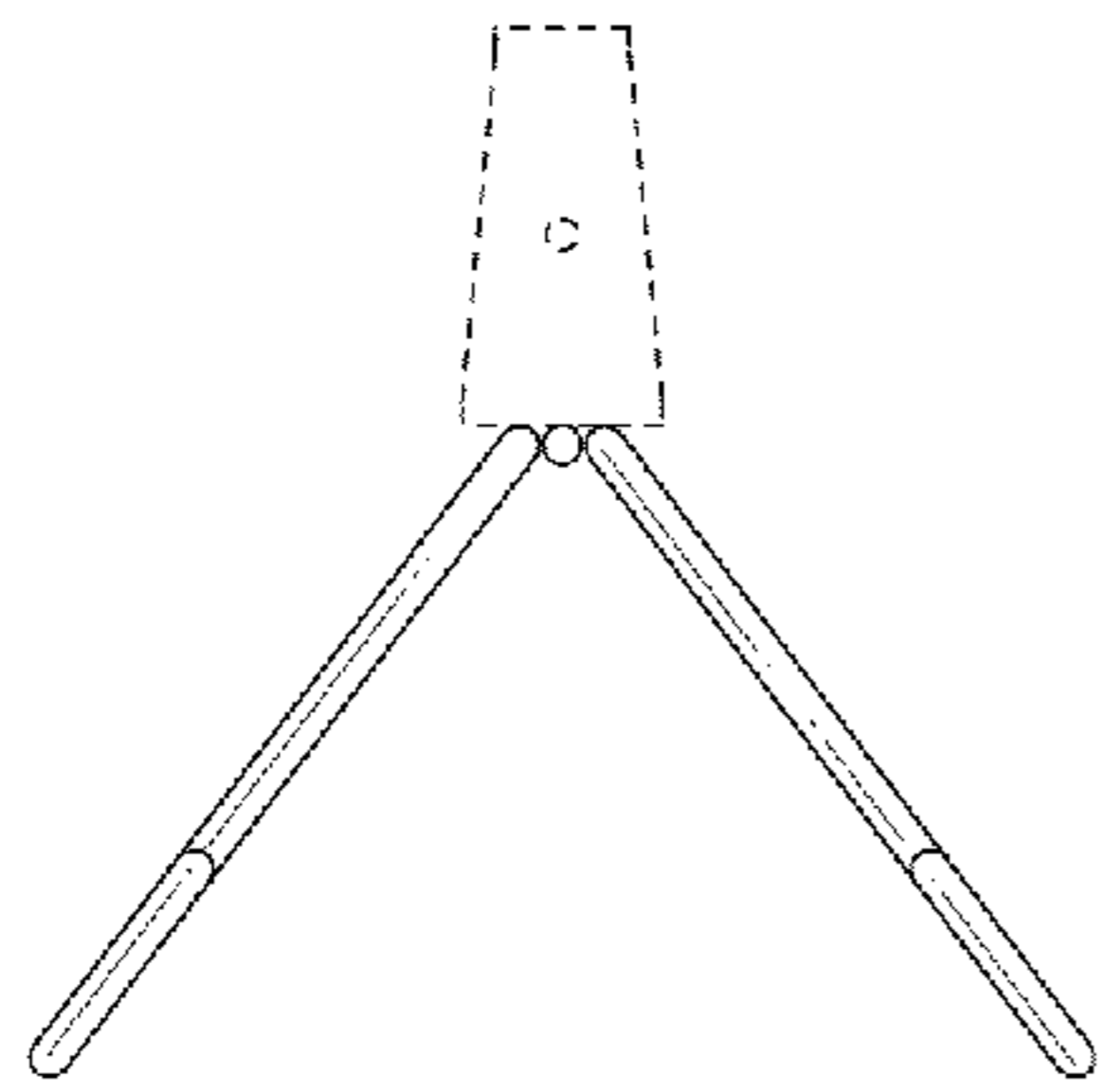


FIG 2

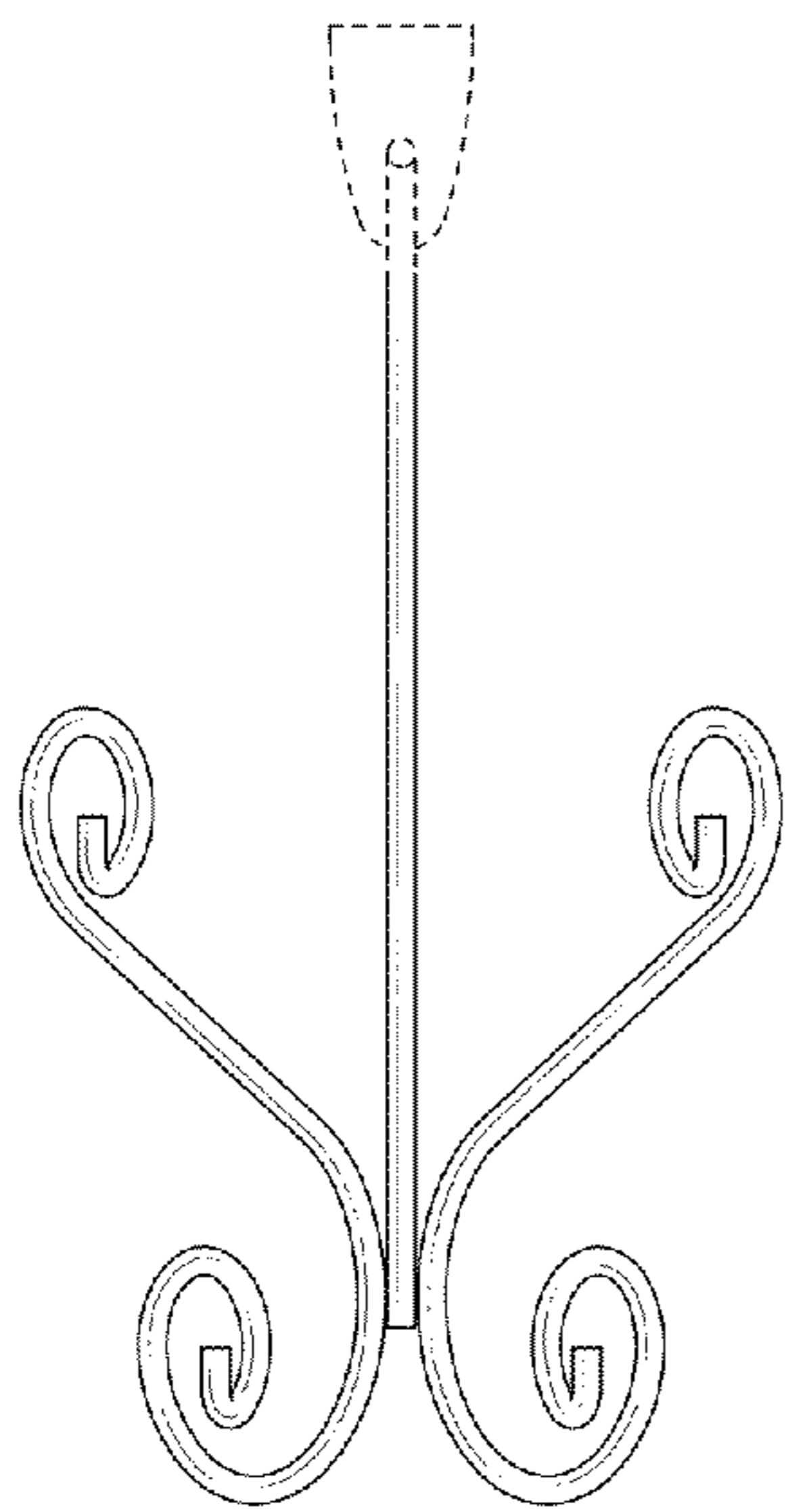


FIG 3

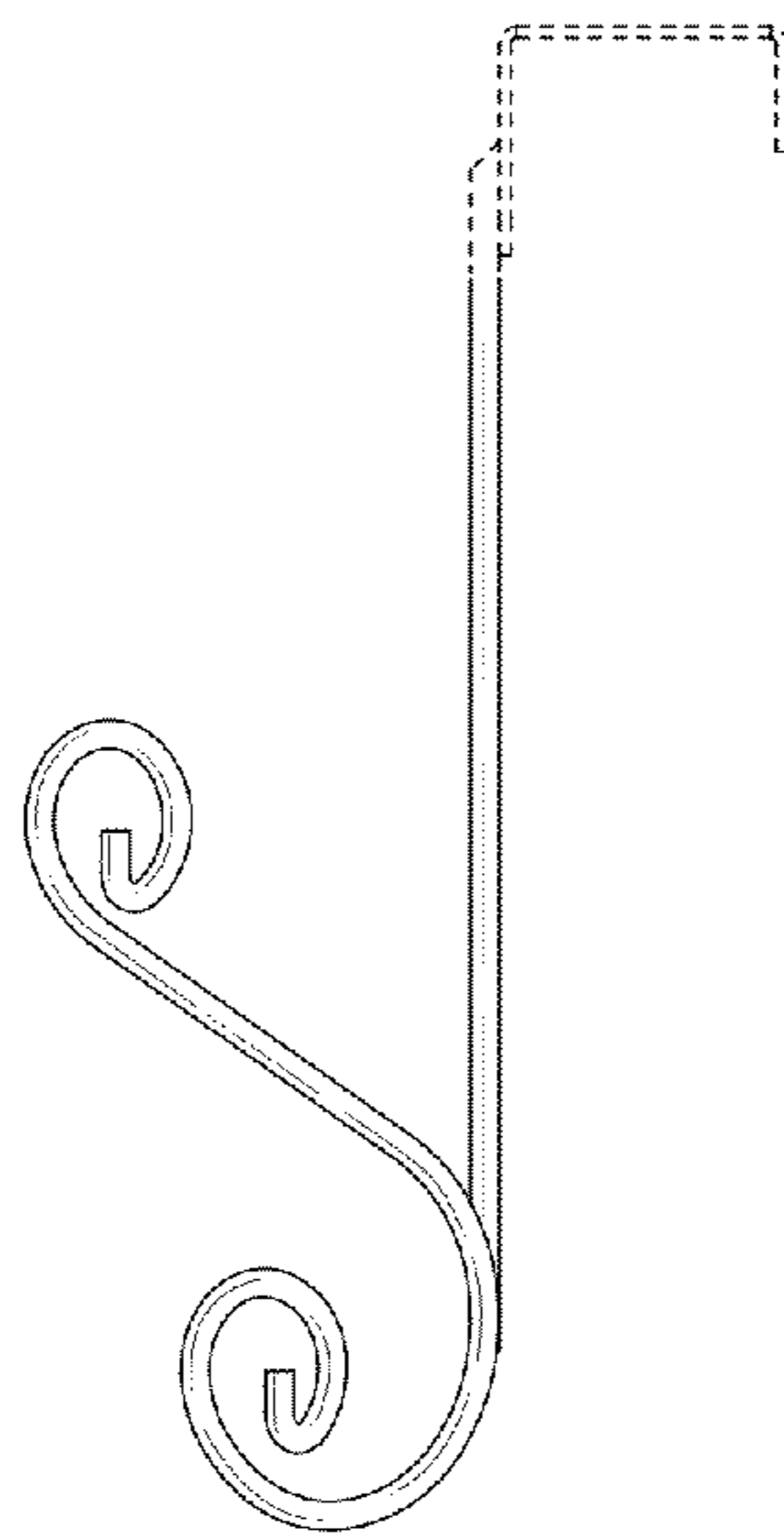


FIG 4

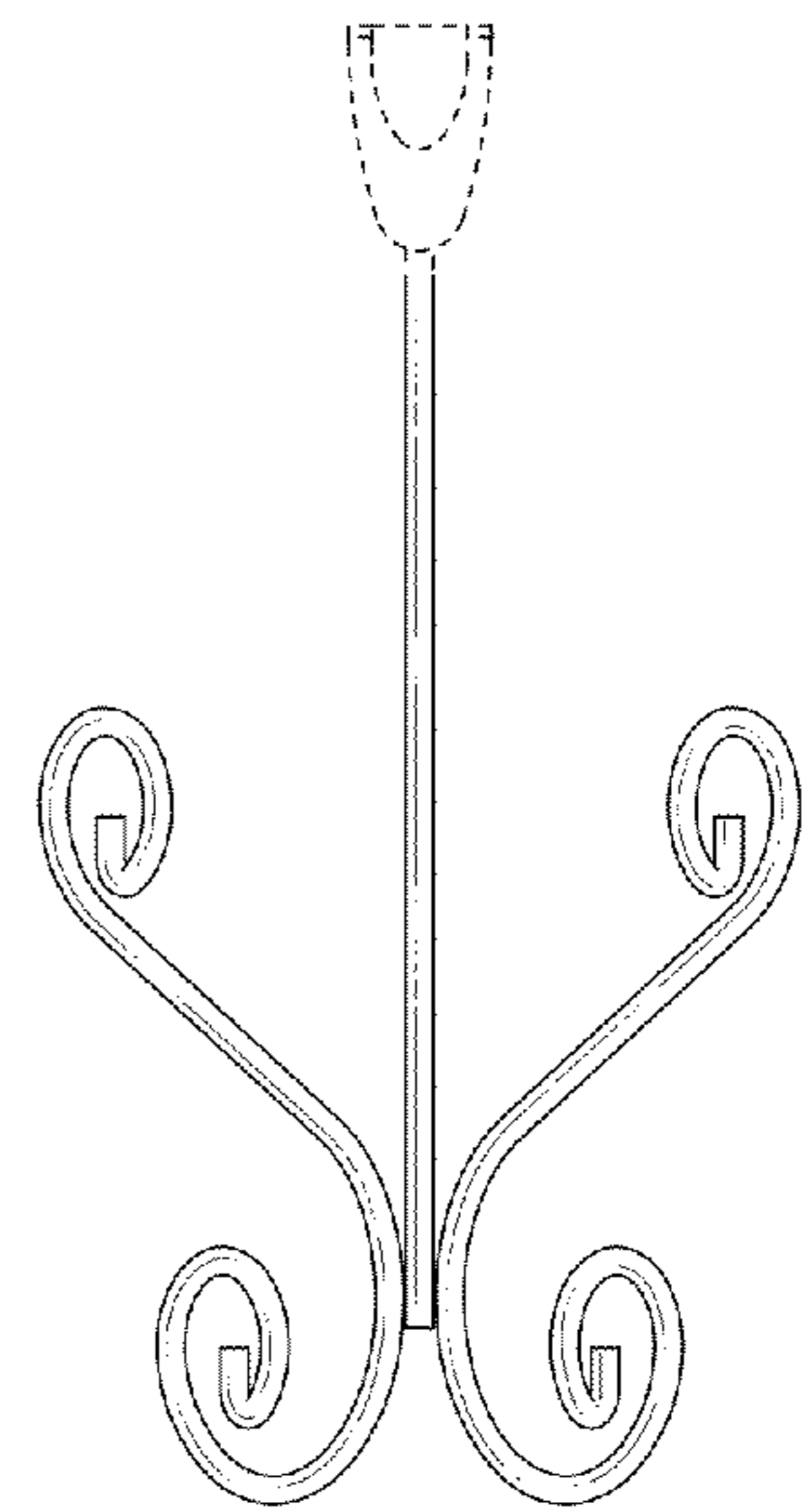


FIG 5

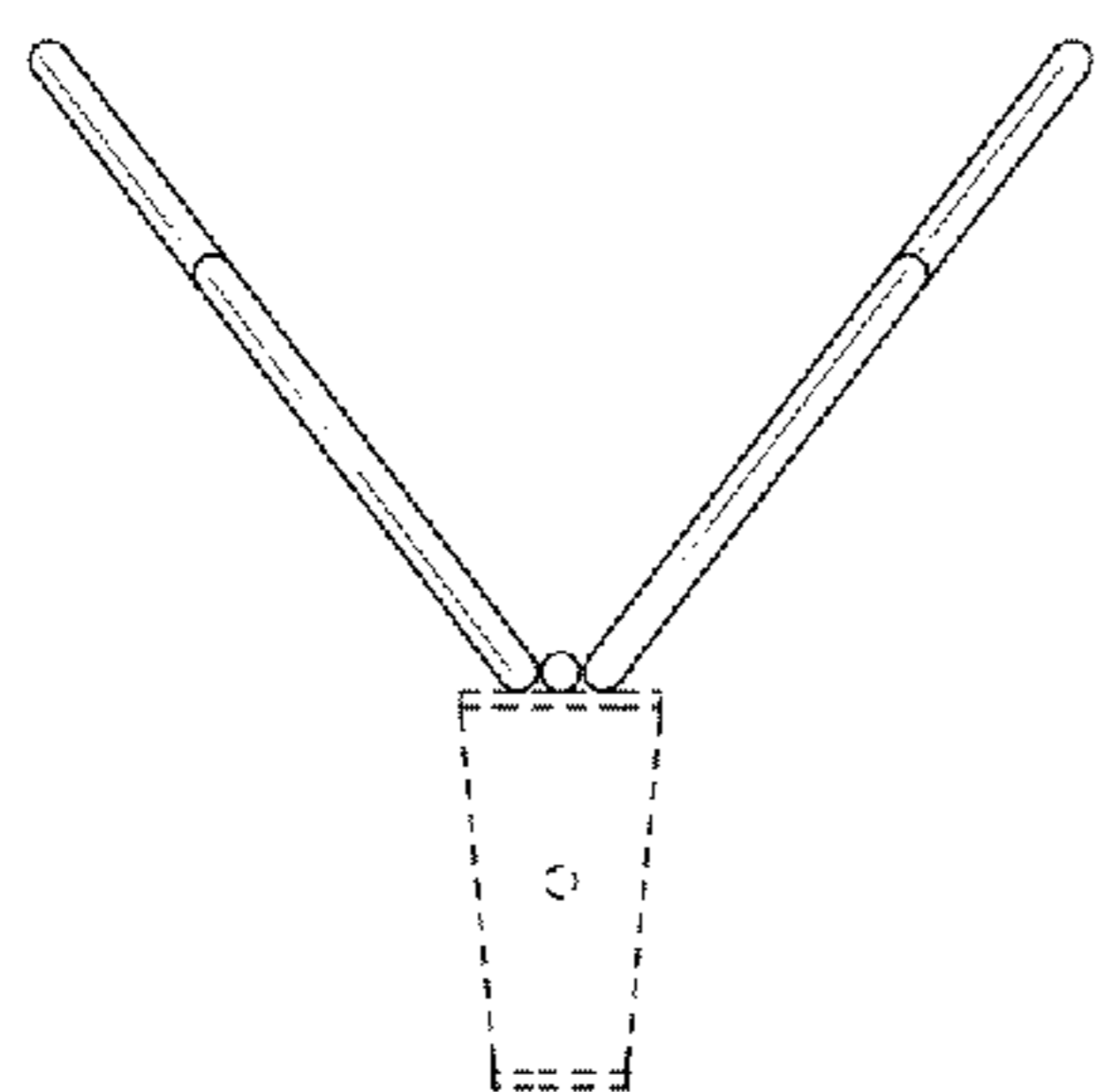


FIG 6