

US00D707535S

(12) **United States Design Patent**
Burr

(10) **Patent No.:** **US D707,535 S**
(45) **Date of Patent:** **** Jun. 24, 2014**

(54) **NAIL-LESS CURTAIN CENTER SUPPORT BRACKET**

D646,957 S * 10/2011 Syed et al. D8/363
D678,754 S * 3/2013 Burr D8/366
8,418,975 B1 * 4/2013 Burr 248/261

(71) Applicant: **Thomas Burr**, Cumberland, RI (US)

* cited by examiner

(72) Inventor: **Thomas Burr**, Cumberland, RI (US)

Primary Examiner — Holly Baynham

(**) Term: **14 Years**

(74) *Attorney, Agent, or Firm* — QuickPatents; Kevin Prince

(21) Appl. No.: **29/441,849**

(57) **CLAIM**

I claim the ornamental design for a nail-less curtain center support bracket, as shown and described.

(22) Filed: **Jan. 10, 2013**

(51) **LOC (10) Cl.** **08-05**

(52) **U.S. Cl.**
USPC **D8/363**

(58) **Field of Classification Search**
USPC D8/367, 363, 373; D6/580;
248/301–304, 215, 235, 237, 245, 247
See application file for complete search history.

DESCRIPTION

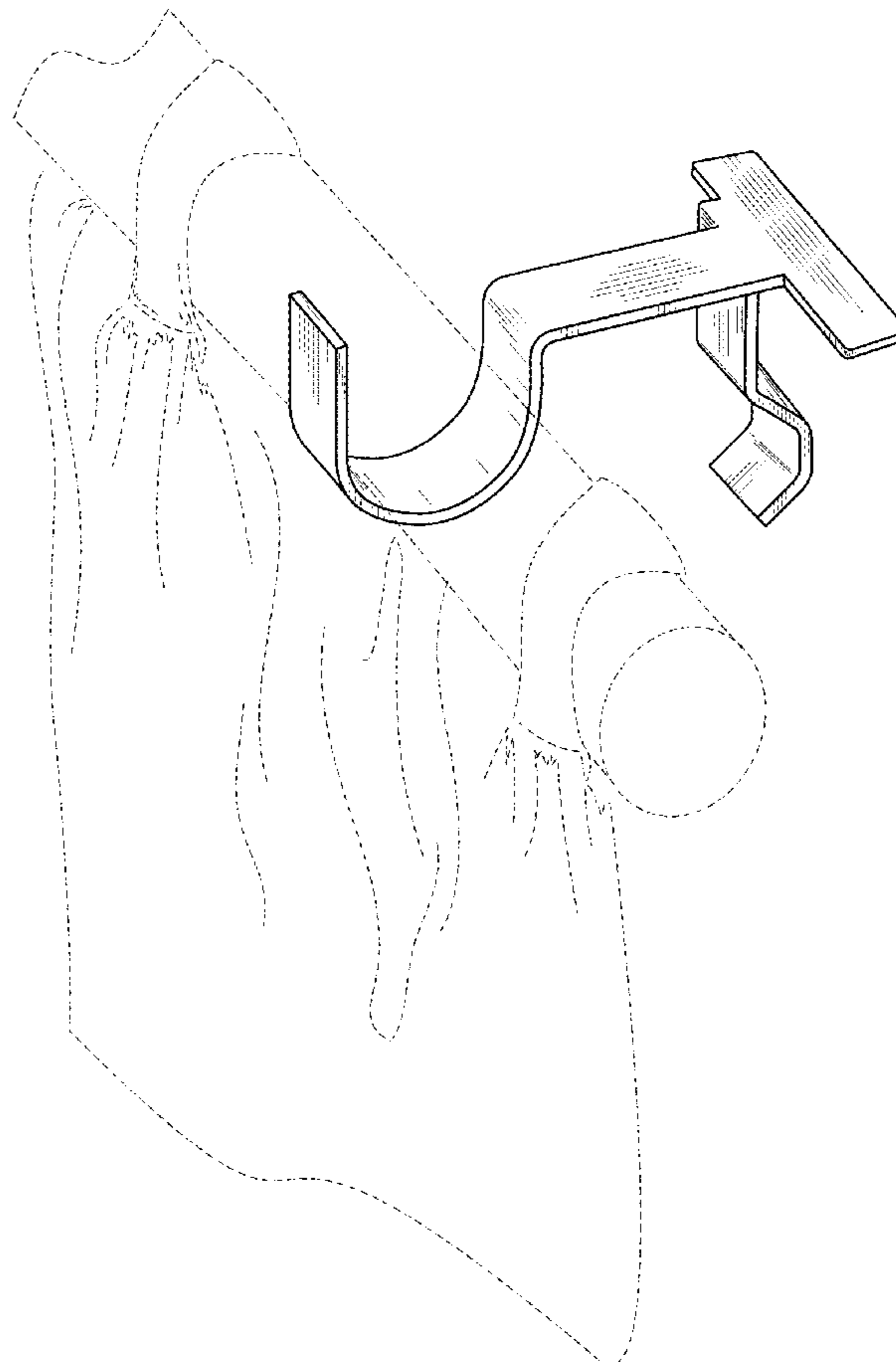
FIG. 1 is a perspective view of a nail-less curtain center support bracket, showing my new design; FIG. 2 is a front elevational view thereof; FIG. 3 is a rear elevational view thereof; FIG. 4 is a left-side elevational view thereof; FIG. 5 is a right-side elevational view thereof; FIG. 6 is a top plan view thereof; and, FIG. 7 is a bottom plan view thereof. The broken lines showing a partial curtain rod and curtains are for the purposes of illustrating environment and form no part of the claimed design.

(56) **References Cited**

U.S. PATENT DOCUMENTS

D290,931 S * 7/1987 Powell D8/373
D389,035 S * 1/1998 Smiley et al. D8/363
D611,328 S * 3/2010 Hanley et al. D8/363

1 Claim, 3 Drawing Sheets



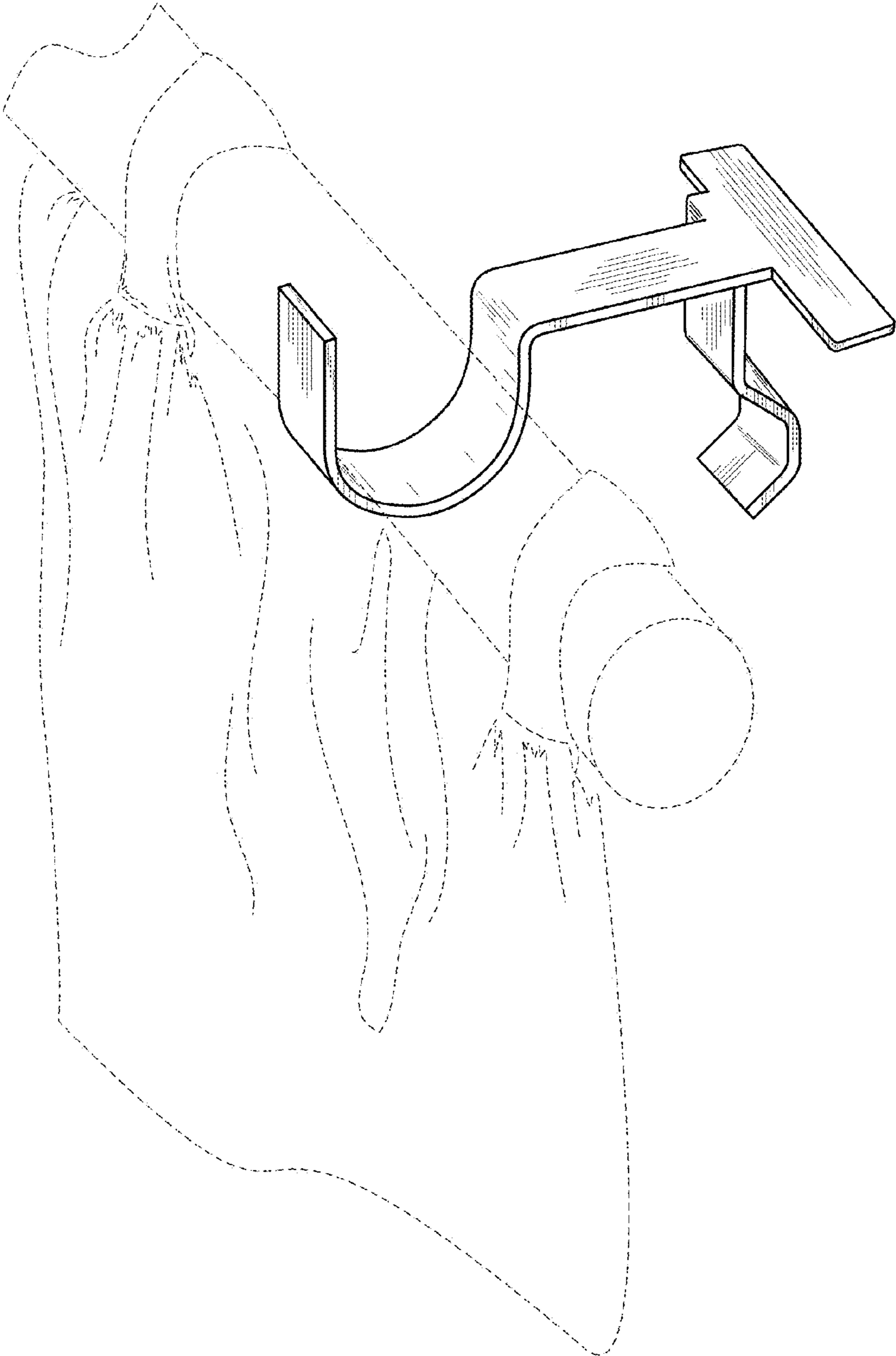


FIG. 1

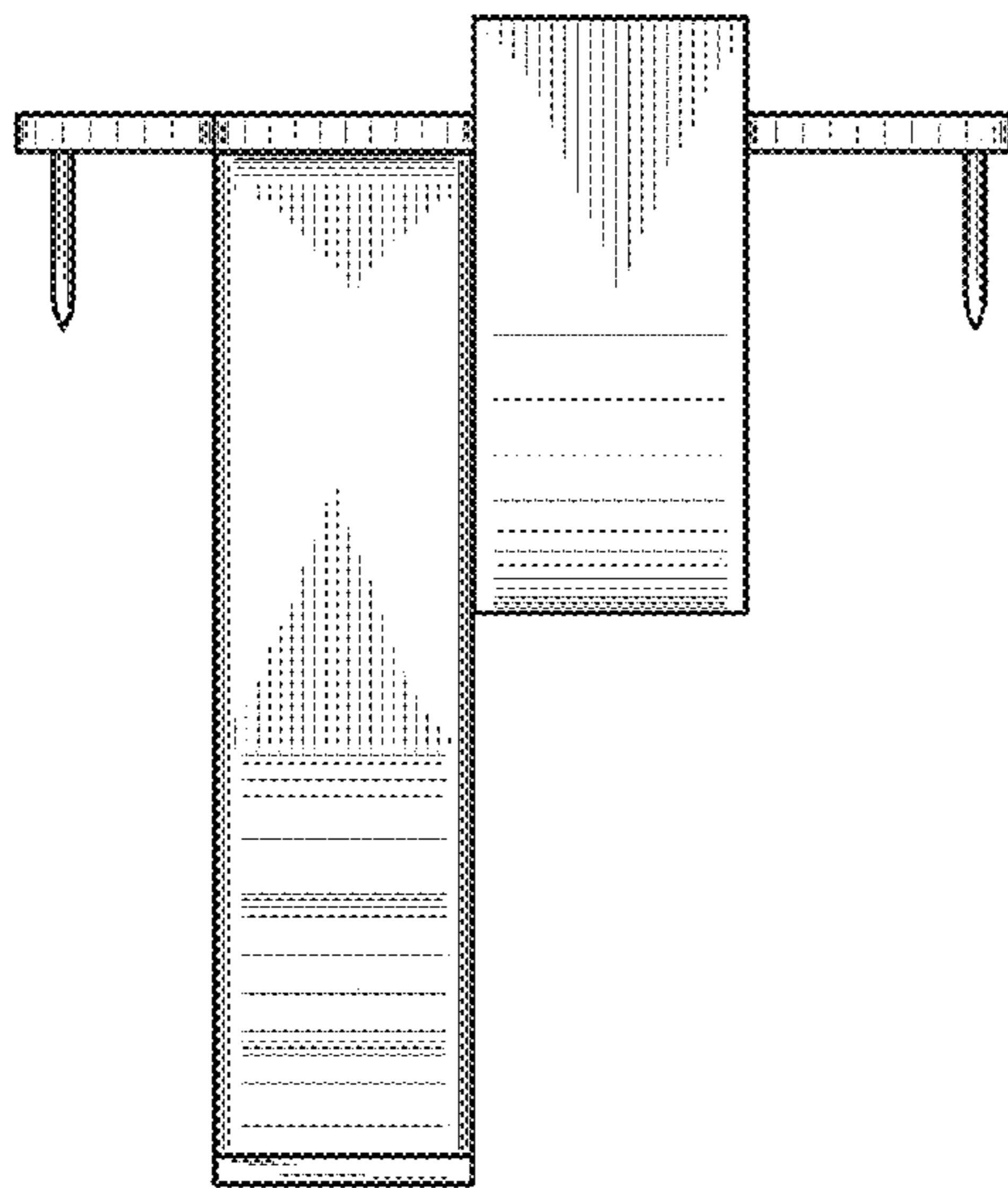


FIG. 2

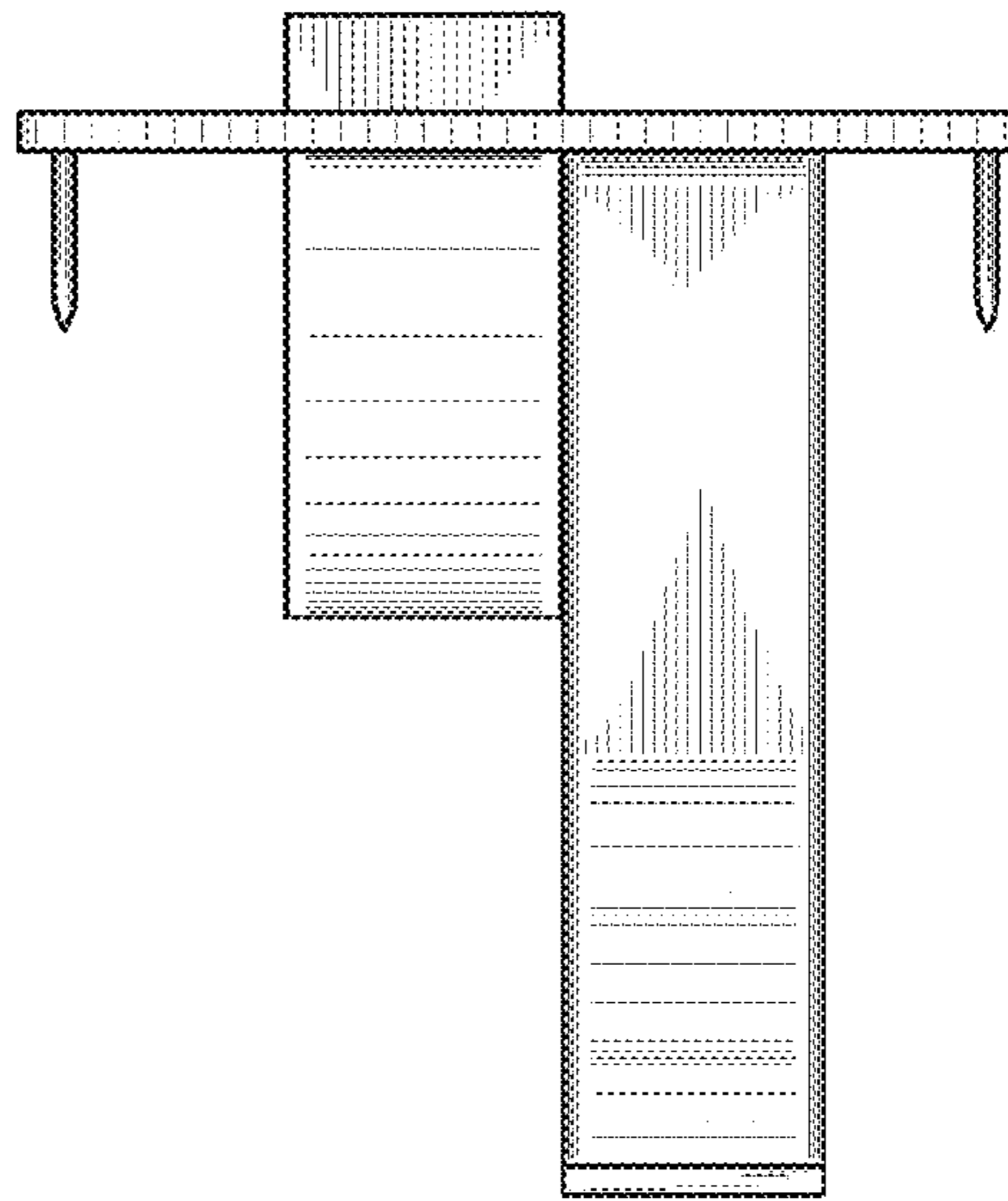


FIG. 3

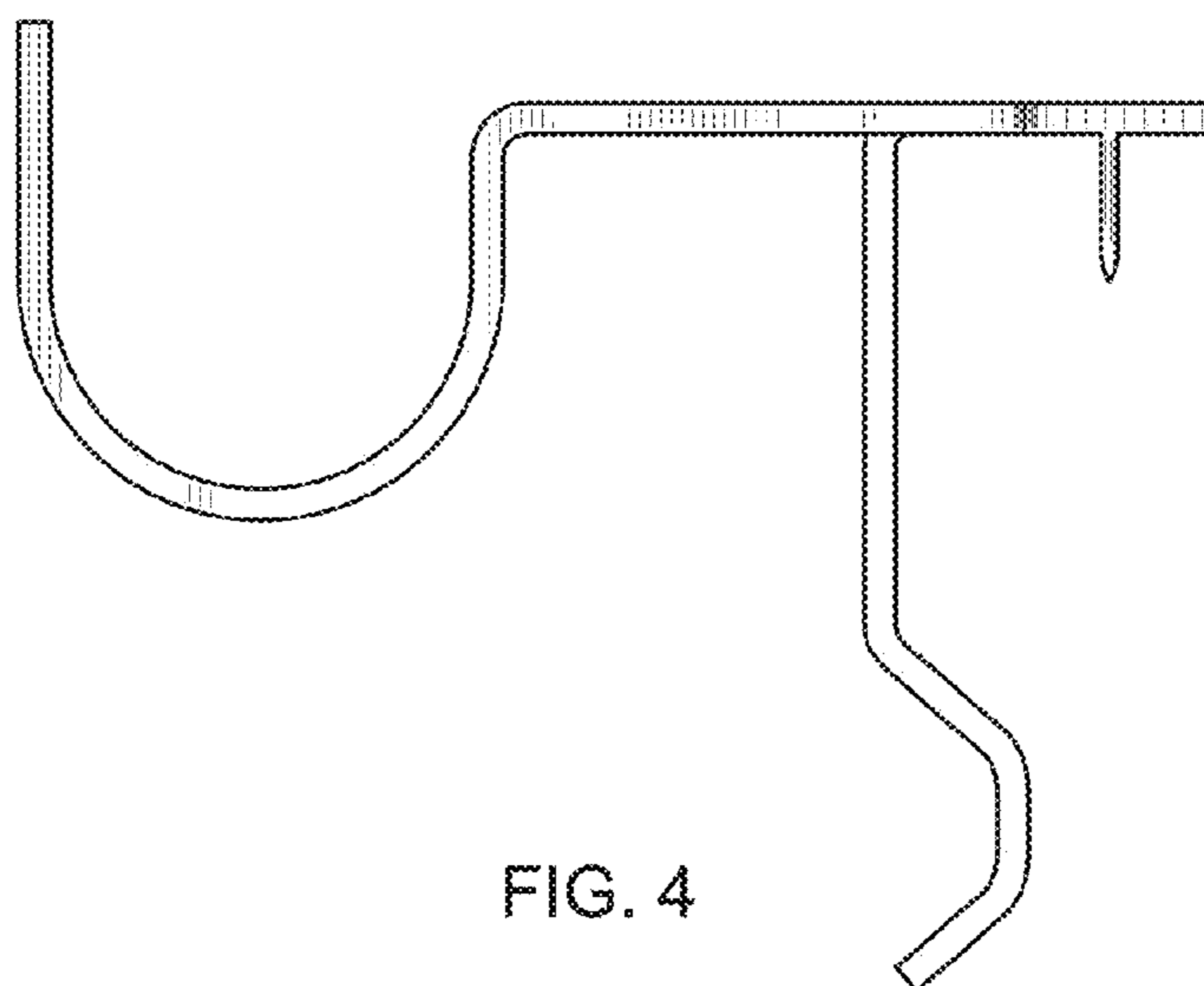


FIG. 4

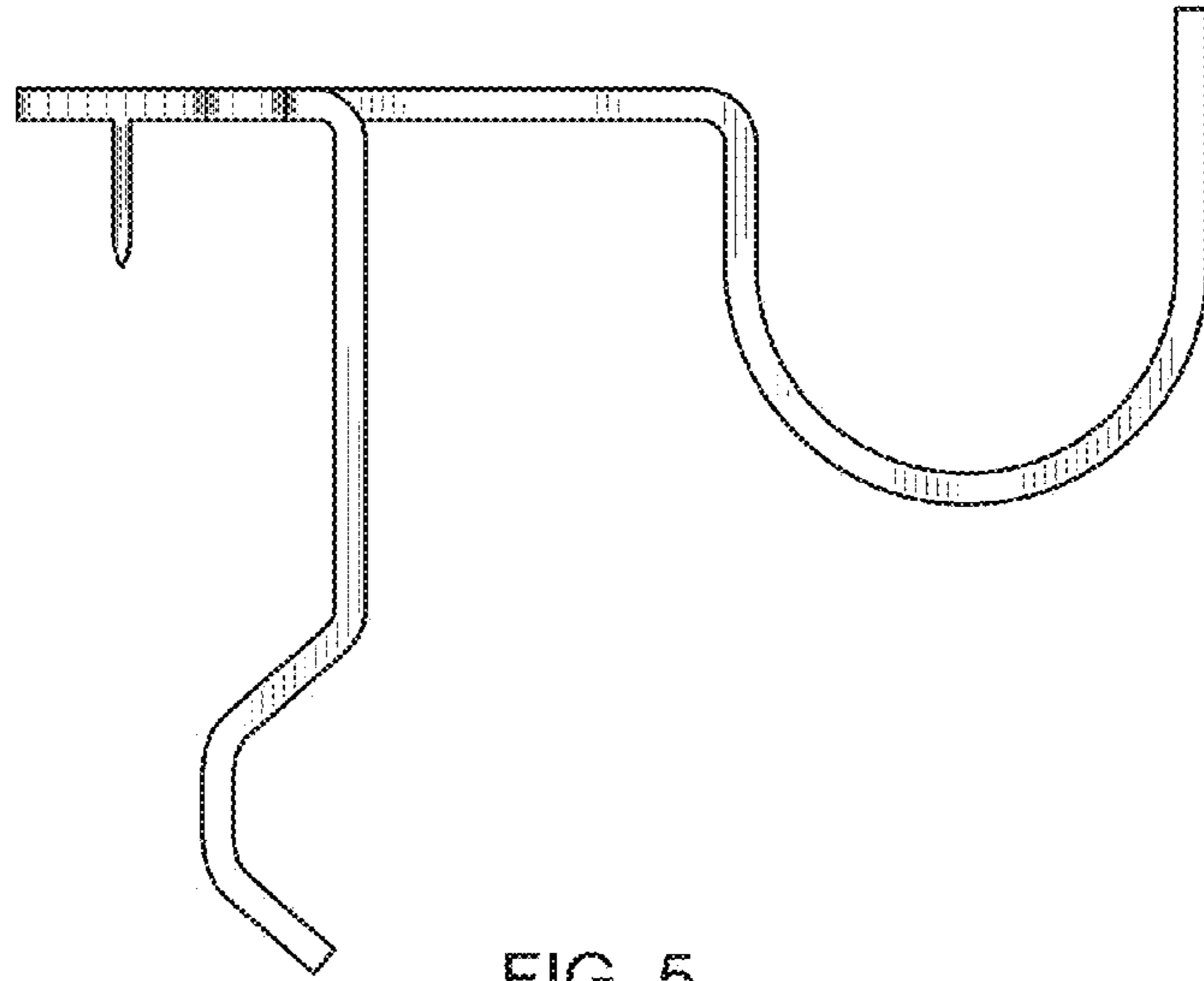


FIG. 5

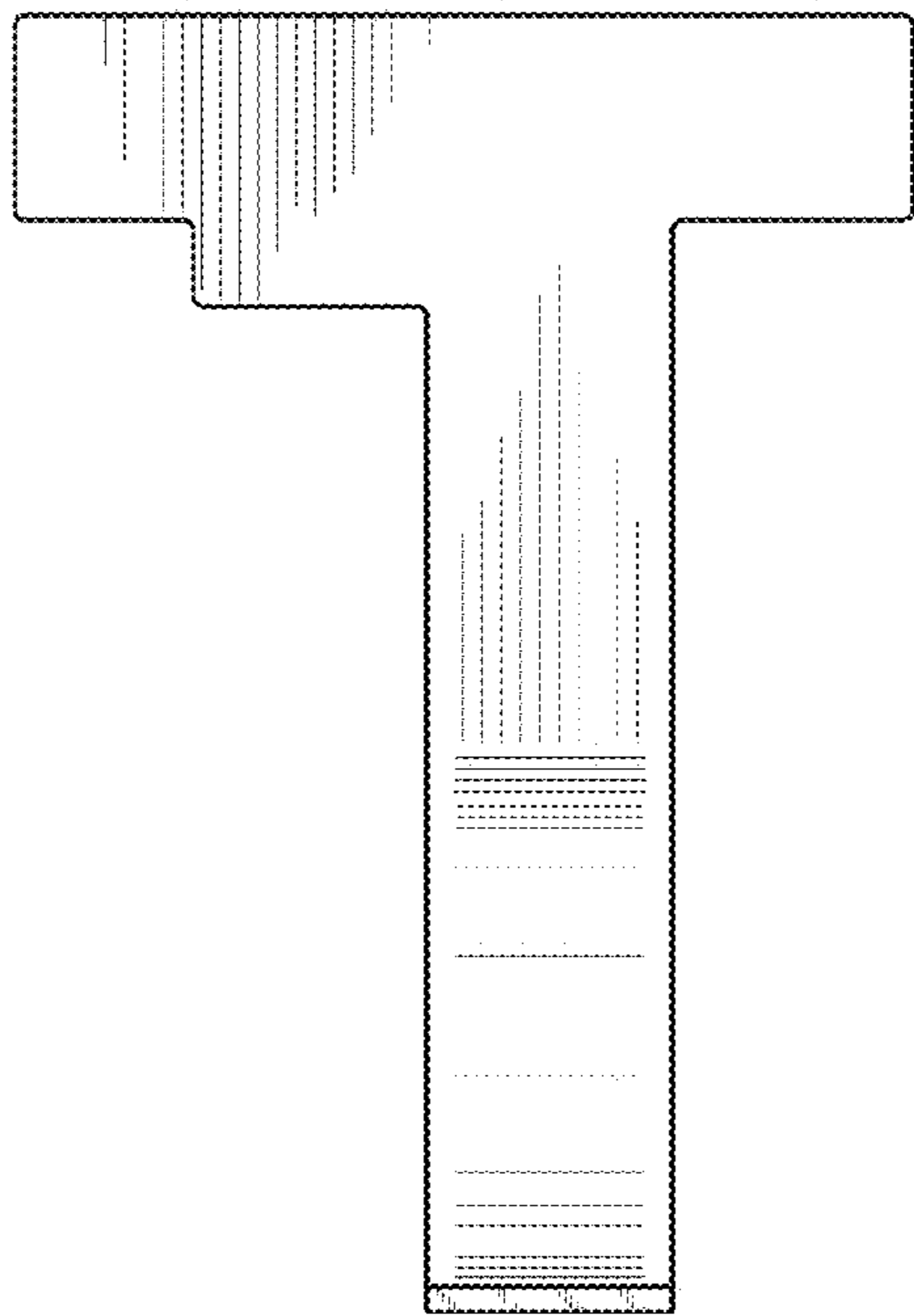


FIG. 6

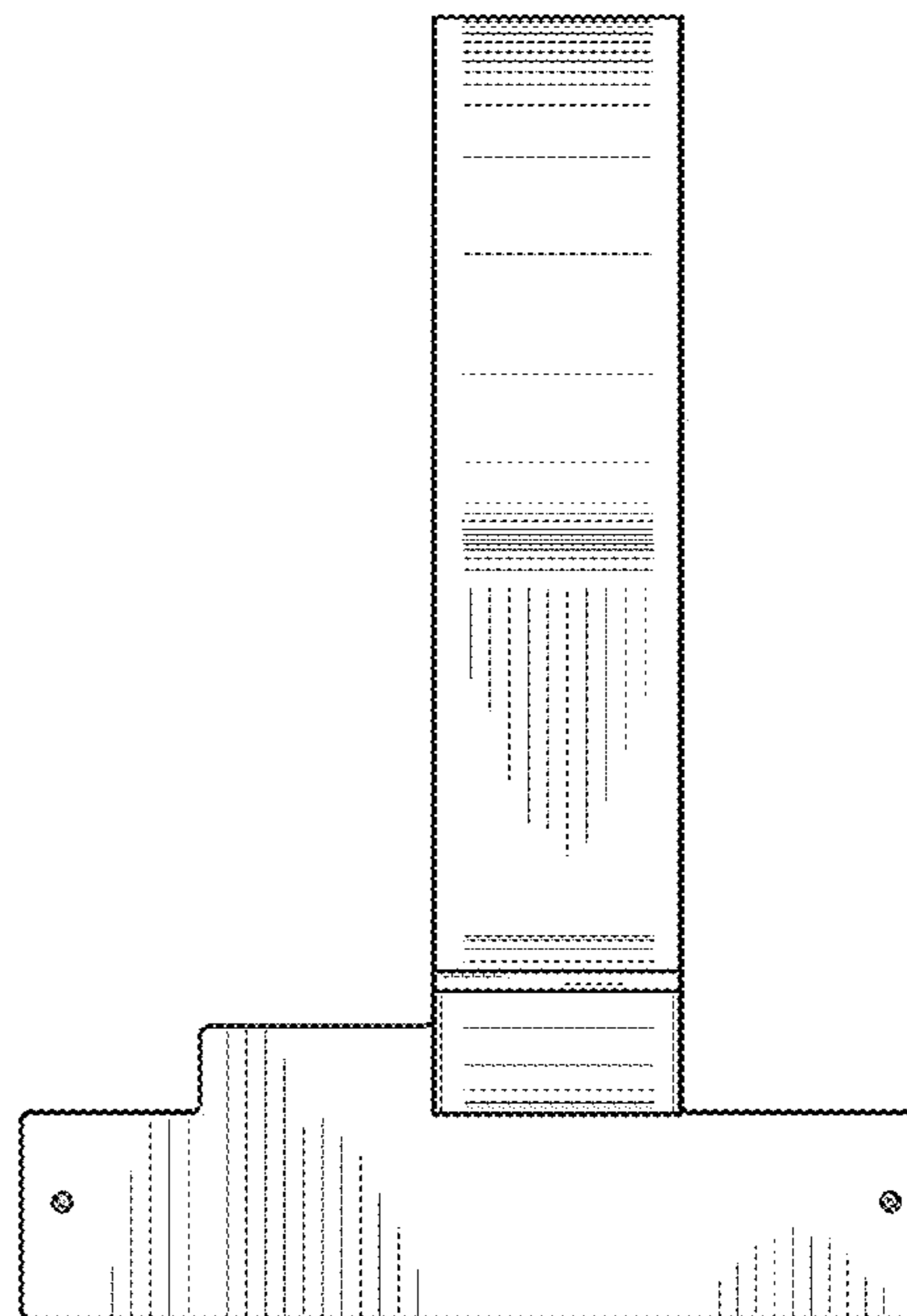


FIG. 7