



US00D707534S

(12) **United States Design Patent**
Crouse et al.

(10) **Patent No.:** **US D707,534 S**
(45) **Date of Patent:** **** Jun. 24, 2014**

(54) **CABLE ORGANIZING DEVICE**

(71) Applicant: **Wanho T Manufacturing Co., Ltd.**,
Ilan (TW)

(72) Inventors: **Christopher Pierre Crouse**, Florence,
AZ (US); **Arthur C. Gagnon**, Taichung,
CT (US)

(73) Assignee: **Wanho T Manufacturing Co., Ltd.**,
Ilan (TW)

(**) Term: **14 Years**

(21) Appl. No.: **29/470,029**

(22) Filed: **Oct. 17, 2013**

(51) **LOC (10) Cl.** **08-05**

(52) **U.S. Cl.**
USPC **D8/356**

(58) **Field of Classification Search**
USPC D8/356, 354, 367, 349, 383; 439/501;
16/2.1, 2.2, 2.5, 108; 52/301; 174/65 G,
174/65 R, 65 SS, 151, 152 G, 153 G;
211/70.6; 248/56, 309.1, 310, 311.2,
248/15, 182, 339
See application file for complete search history.

(56) **References Cited**

U.S. PATENT DOCUMENTS

1,532,177 A * 4/1925 Gist 248/89
1,625,585 A * 4/1927 Archer 242/599.2
3,123,879 A * 3/1964 Boduroff et al. 403/217
3,132,822 A * 5/1964 Arthur 242/613.4
4,330,005 A * 5/1982 Kjarsgaard 137/355.28
D358,545 S * 5/1995 Price D8/356

D373,069 S * 8/1996 McCarthy D8/354
D408,790 S * 4/1999 Kiely et al. D8/356
D508,199 S * 8/2005 Winig et al. D8/356
D537,709 S * 3/2007 Thorner D8/396
D559,080 S * 1/2008 Boote D8/354
D625,985 S * 10/2010 Mori et al. D8/356
D641,611 S * 7/2011 Minayoshi D8/354
D644,916 S * 9/2011 Lee D8/356
D644,917 S * 9/2011 Lee D8/356
D647,387 S * 10/2011 Pawluk D8/356
D653,100 S * 1/2012 Chen D8/356
D664,832 S * 8/2012 van der Vorst D8/356
D671,352 S * 11/2012 van der Vorst D6/581
D682,909 S * 5/2013 Kim D16/219
D683,614 S * 6/2013 Toimil et al. D8/356
D691,874 S * 10/2013 Ganski D8/356
D691,877 S * 10/2013 Ganski D8/356
2009/0324188 A1 * 12/2009 Berglund et al. 385/135

* cited by examiner

Primary Examiner — Cynthia Underwood

(74) *Attorney, Agent, or Firm* — Charles E. Baxley

(57) **CLAIM**

The ornamental design for a cable organizing device, as shown and described.

DESCRIPTION

FIG. 1 is a perspective view of a cable organizing device showing my new design;

FIG. 2 is a front elevational view thereof;

FIG. 3 is a rear elevational view thereof;

FIG. 4 is a top plan view thereof;

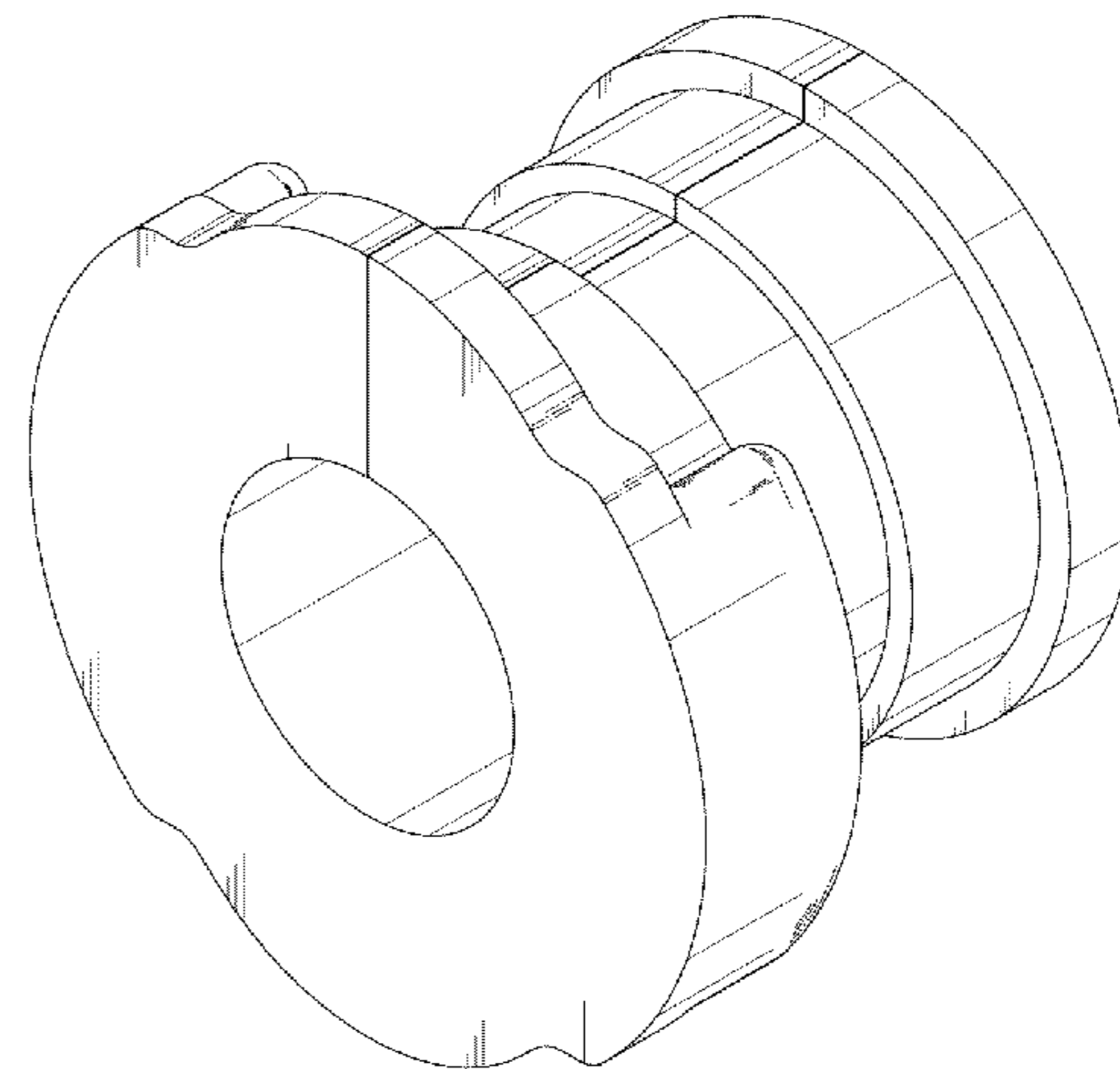
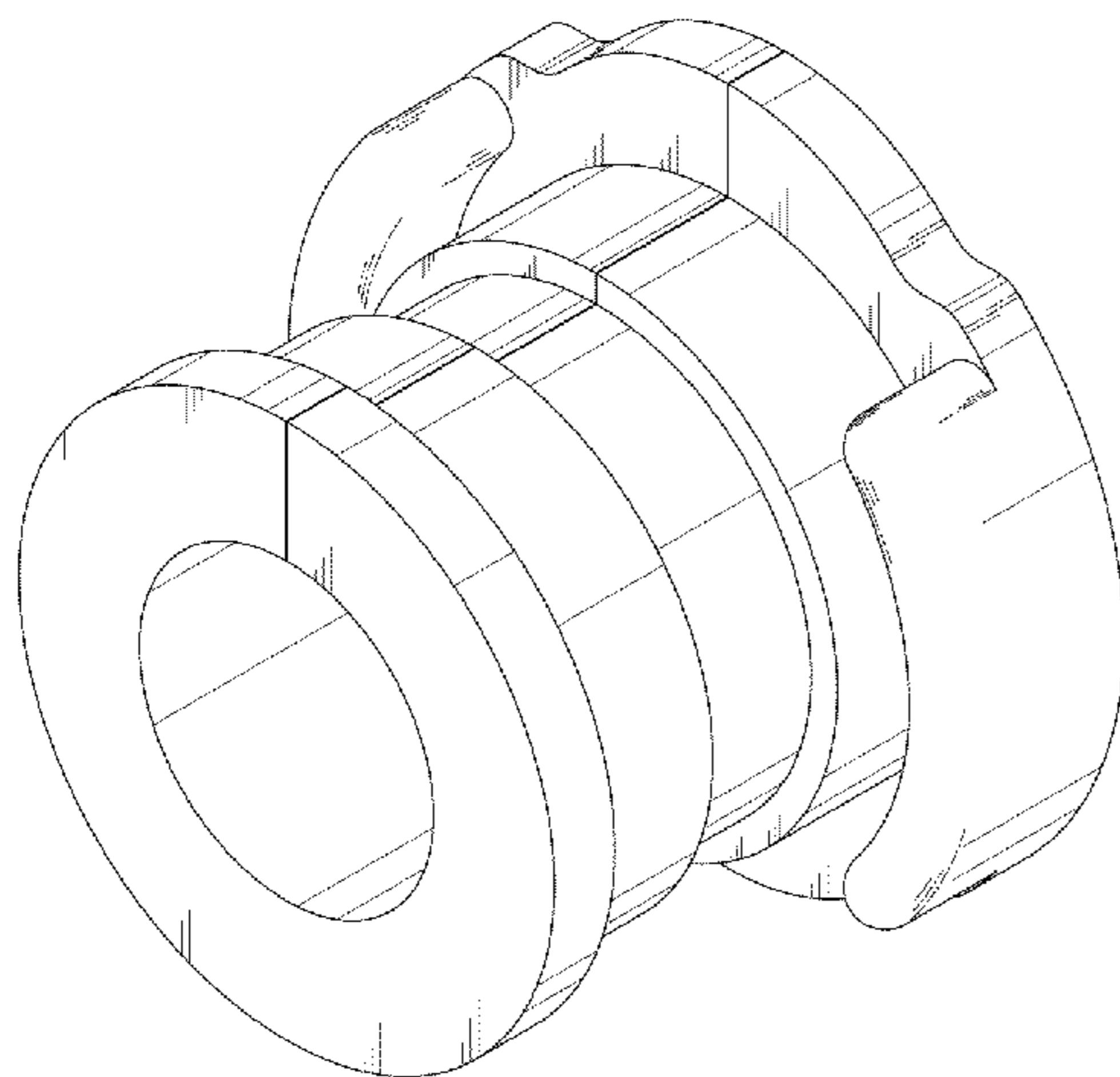
FIG. 5 is a bottom plan view thereof;

FIG. 6 is a left side elevational view thereof;

FIG. 7 is a right side elevational view thereof; and,

FIG. 8 is a rear perspective view thereof.

1 Claim, 4 Drawing Sheets



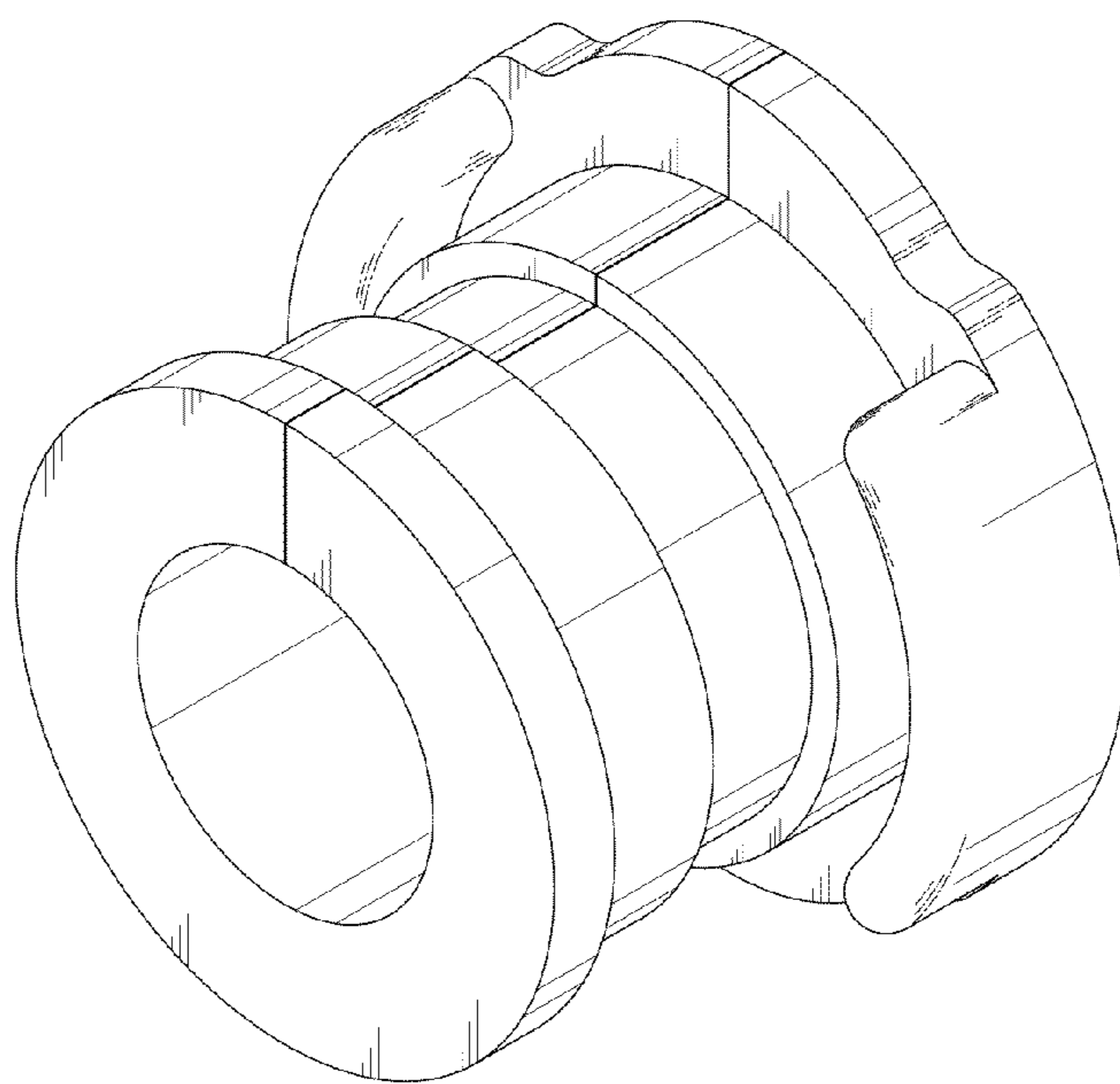


FIG. 1

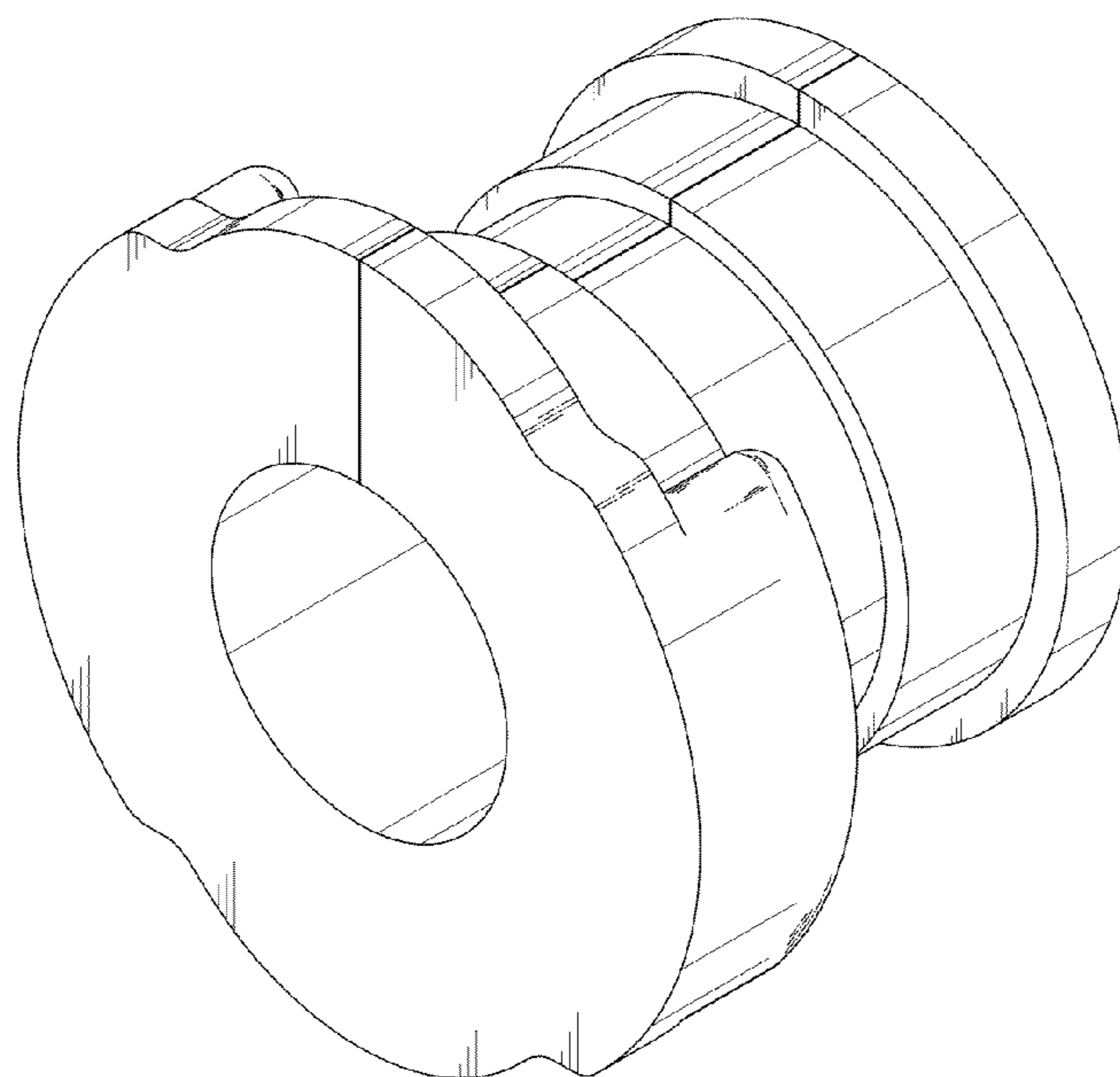


FIG. 8

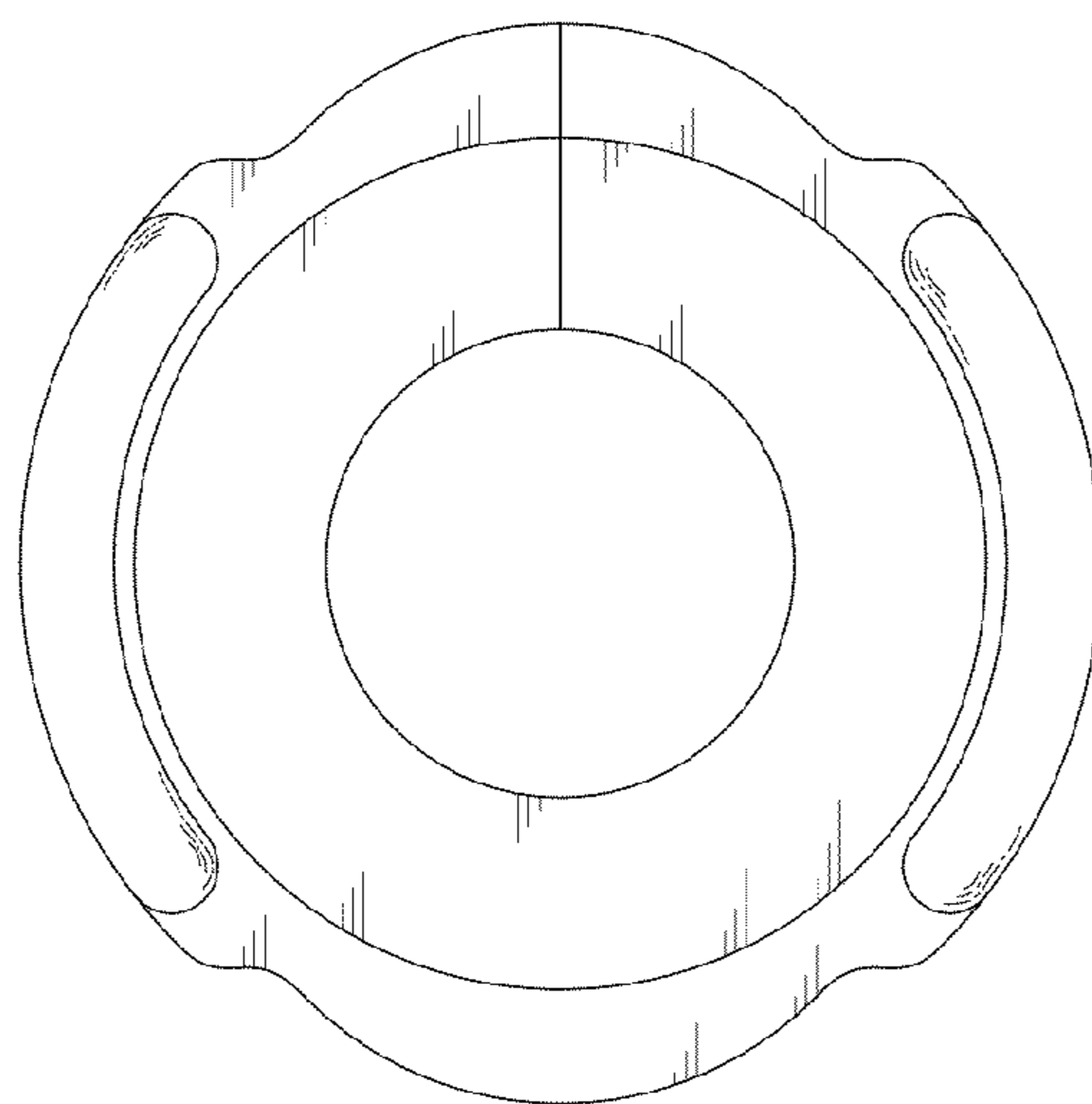


FIG. 2

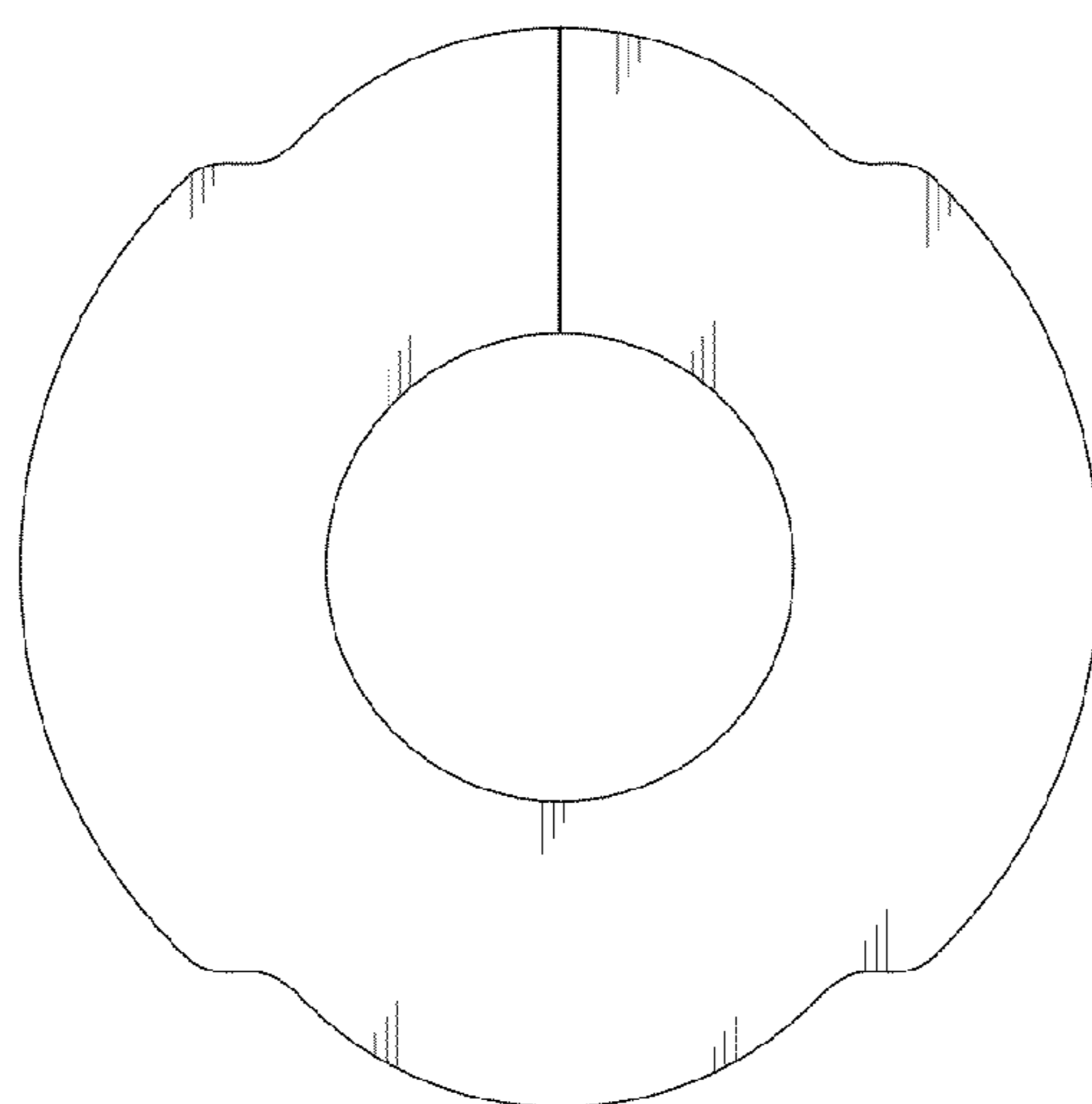


FIG. 3

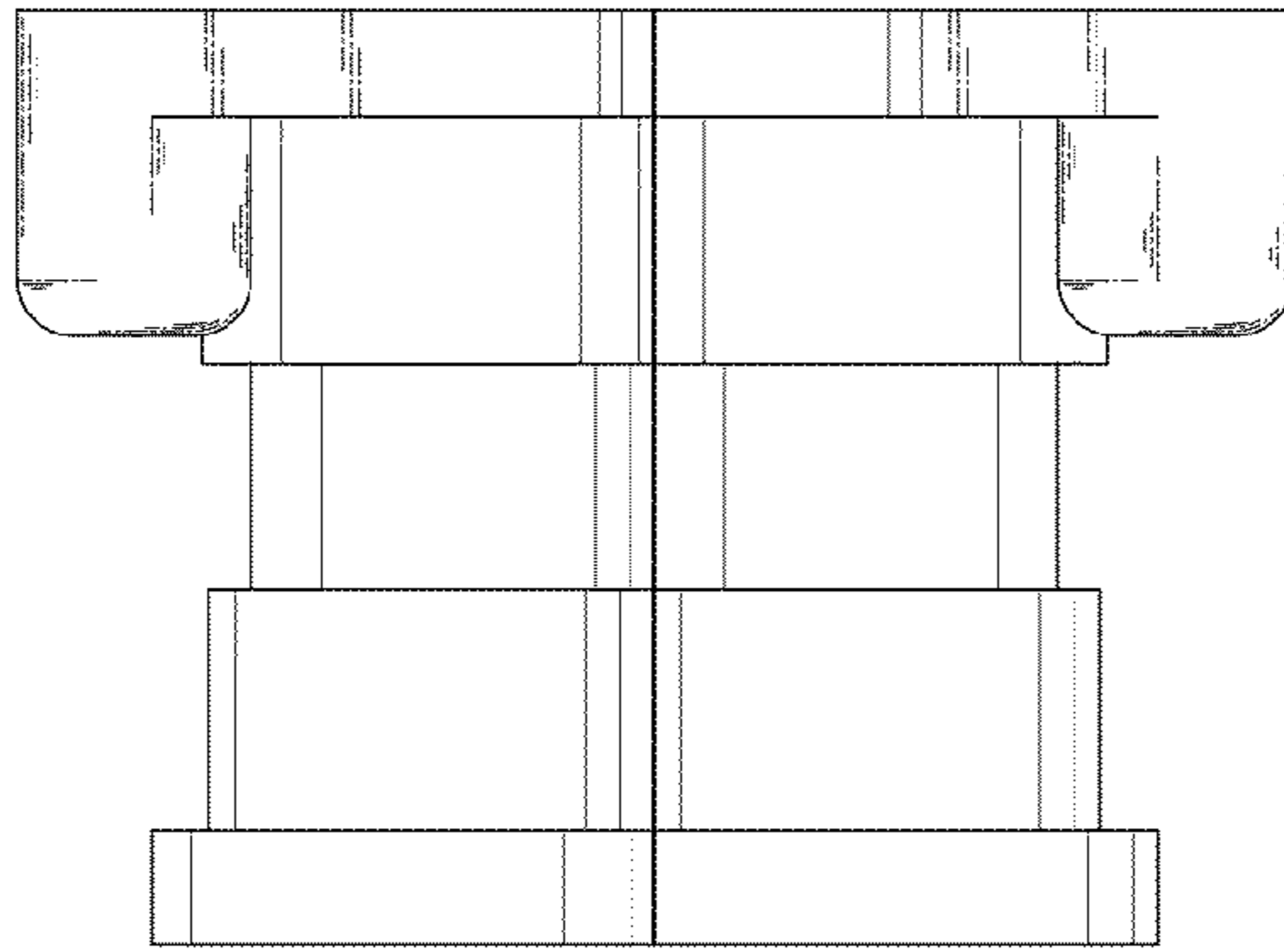


FIG. 4

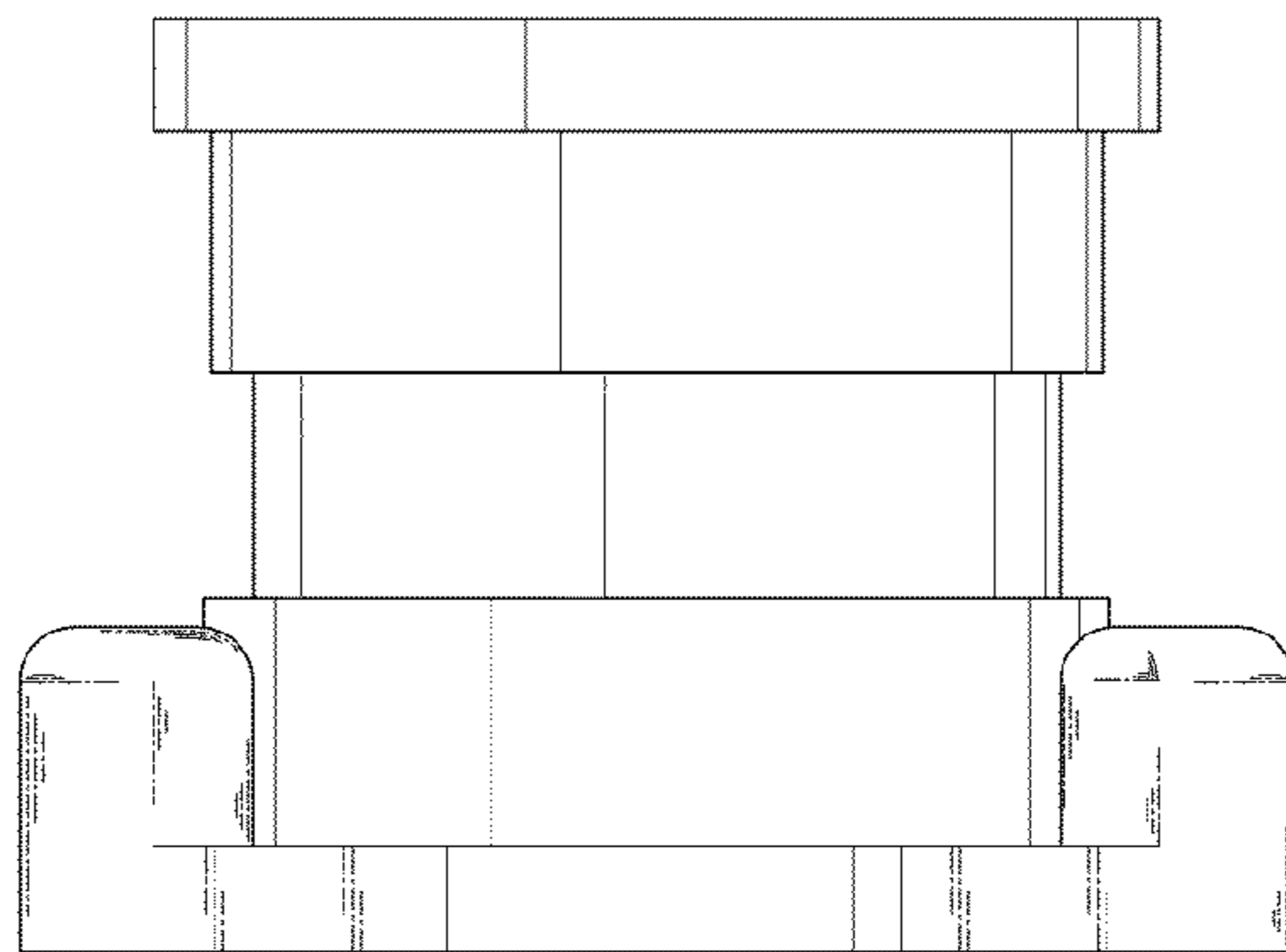


FIG. 5

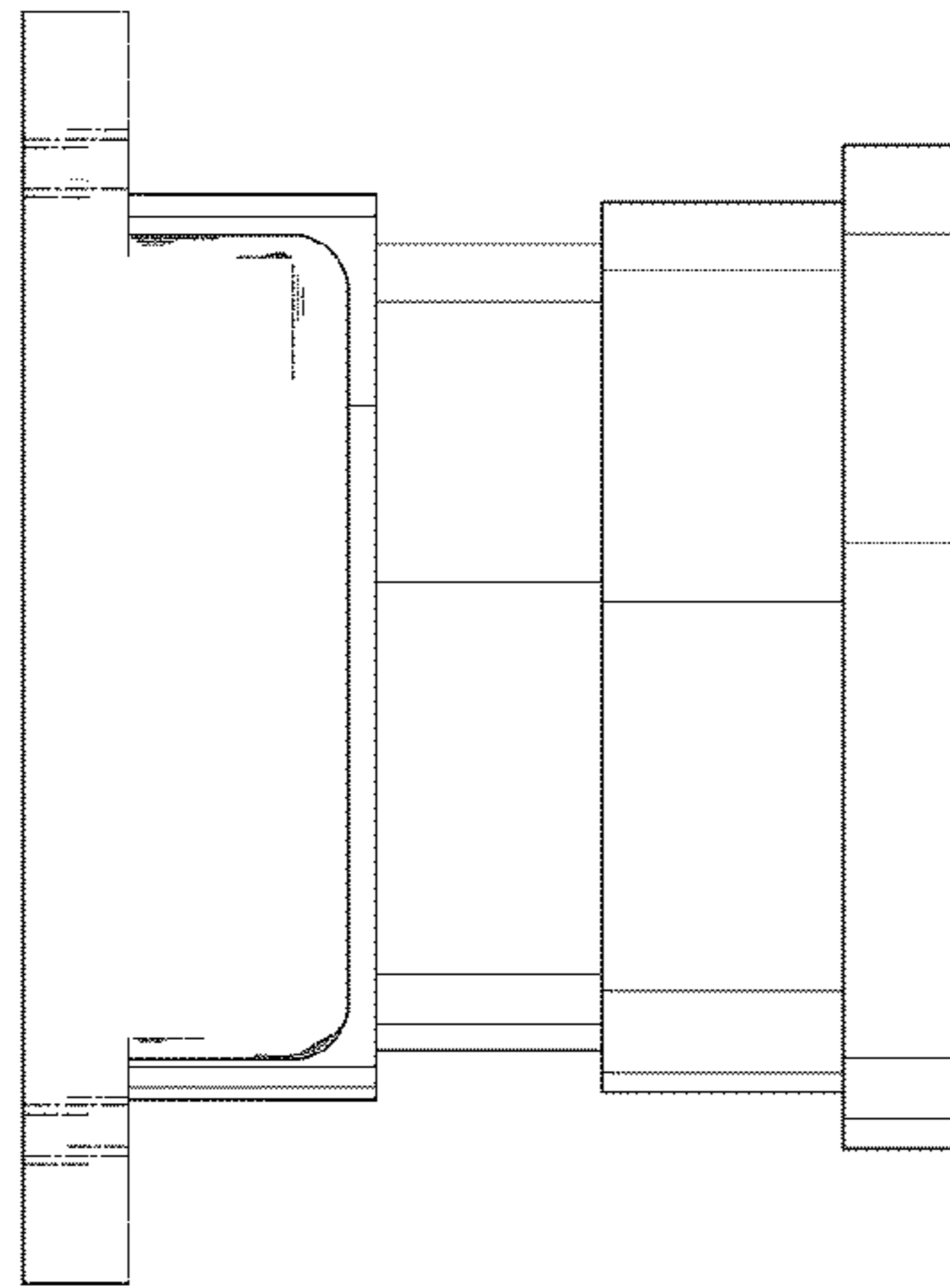


FIG. 6

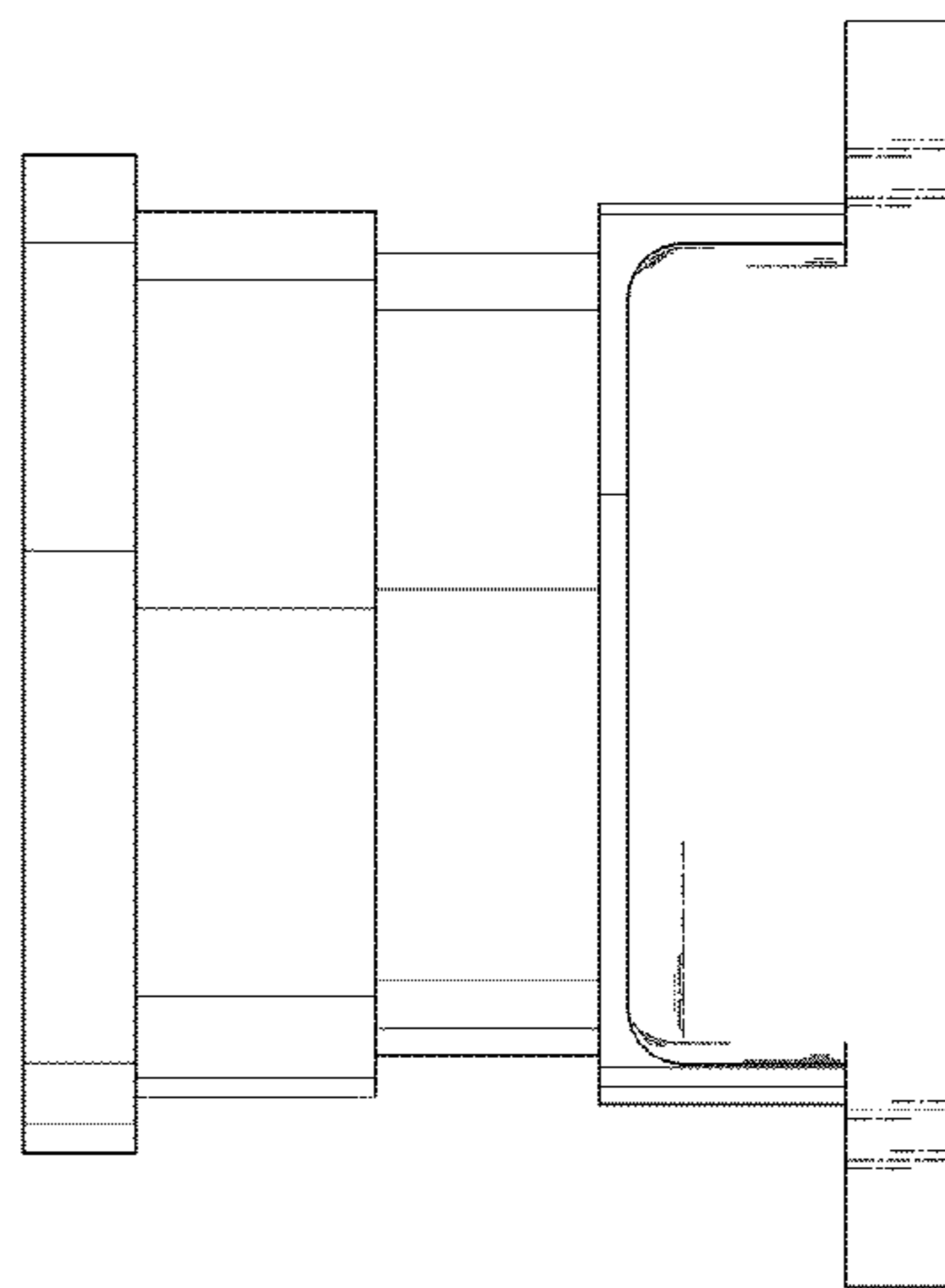


FIG. 7